

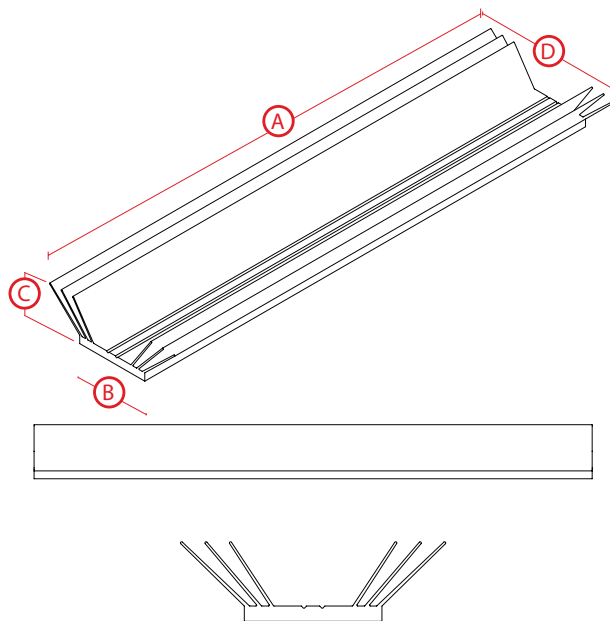


# High Performance LED Cooling Solutions

## ATS PART # ATS-58003-C2-R0

### Features & Benefits

- » Designed for cooling linear LED lighting products
- » maxiFLOW™ design features a low profile, spread fin array that maximizes surface area for more effective convection (air) cooling
- » Reduces LED temperatures by more than 50%
- » Fabricated from extruded aluminum, which minimizes thermal resistance from the base to the fins, reduces weight and keeps costs low



\*Image above is for illustration purposes only.

### Thermal Performance

| AIR VELOCITY |     | THERMAL RESISTANCE   |                    |
|--------------|-----|----------------------|--------------------|
| FT/MIN       | M/S | °C/W (UNDUCTED FLOW) | °C/W (DUCTED FLOW) |
| 200          | 1.0 | 0.6                  | 0.4                |
| 300          | 1.5 | 0.5                  |                    |
| 400          | 2.0 | 0.4                  |                    |
| 500          | 2.5 | 0.4                  |                    |
| 600          | 3.0 | 0.4                  |                    |
| 700          | 3.5 | 0.3                  |                    |
| 800          | 4.0 | 0.3                  |                    |

### Product Details

| DIMENSION A | DIMENSION B | DIMENSION C | DIMENSION D | INTERFACE MATERIAL | FINISH         |
|-------------|-------------|-------------|-------------|--------------------|----------------|
| 305 mm      | 45 mm       | 26 mm       | 87 mm       | SAINT-GOBAIN C675  | BLACK-ANODIZED |

#### NOTES:

- 1) Dimension C = heat sink height from bottom of the base to the top of the fin field.
- 2) Thermal performance data are provided for reference only. Actual performance may vary by application.
- 3) ATS reserves the right to update or change its products without notice to improve the design or performance.
- 4) Contact ATS to learn about custom options available.



**ATS** ADVANCED  
THERMAL  
SOLUTIONS, INC.  
Innovations in Thermal Management®

**For more information, to find a distributor or to place an order, visit [www.qats.com](http://www.qats.com) or call: 781.769.2800 (North America); +31 (0) 3569 84715 (Europe).**