

AVS-290

Desktop/Wallmount Intel® Xeon® E3-1200 Video Wall Controller, Supporting 8-output Video Wall

NEW



CE FCC



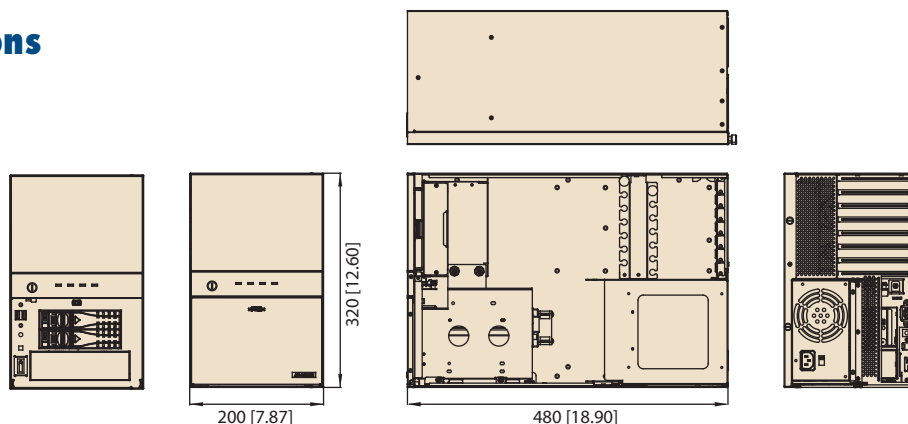
Features

- Validated by Matrox
- Supports Mura Card : 2 Mura MPX-4/4
- Maximum Video Input: 8 Analog/Digital
- Maximum Video Output: 8 Analog/Digital
- Processor : Intel Xeon E3-1200 series up to 4 cores/ 8 threads
- Memory: DDR3-1333MHz (ECC) U-DIMM up to 32GB
- Remote Management: IPMI, Advantech Remote Monitoring Utility

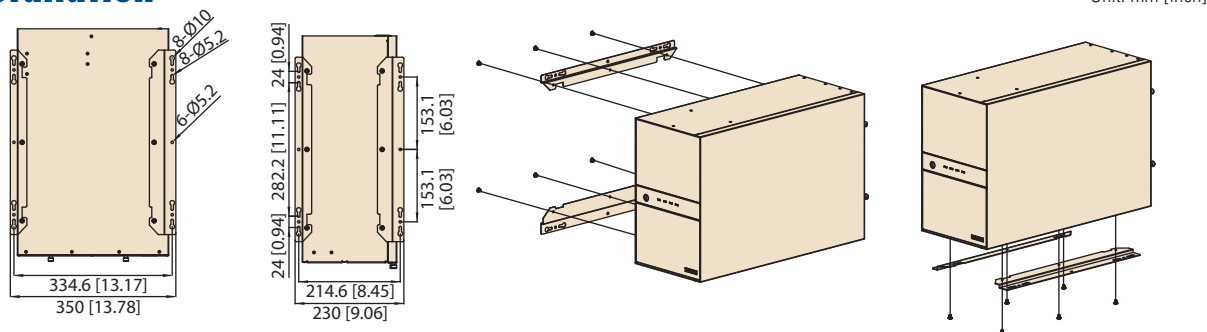
Specifications

Processor System	Chipset	Intel C206 Chipset	
	CPU	Intel LGA1155 Xeon E3-1200 / Core i3-2120 / Pentium G850 Single processor	
	L2 Cache	8MB/6MB/3MB	
	Front Side Bus	-	
	Memory	Dual Channel DDR3 ECC/Non-ECC 1066/1333 MHz up to 32GB	
Graphics	Controller	Aspeed AST2300 (Needs being disabled when Mura MPX is installed)	
	VRAM	64 MB	
Expansion Slot	PCIe Gen.2 x16	2 (For Mura MPX installation. Auto switch to x8 link if slot 4 is occupied)	
	PCIe Gen.2 x4	1	
	PCIe Gen.2 x1	1	
	PCI 32bit/33MHz	3	
Drive Bay	Slime optical disk drive Bay	-	
	5.25" Front-Accessible	1	
	3.5" Hot-swappable	2 x SATA	
	3.5" Internal	1 x SATA	
Ethernet	Interface	Quad 10/100/1000 Mbps Gigabit Ethernet	
	Controller	GbE LAN1: Intel 82579LM; GbE LAN2: Intel 82574L; GbE LAN3/4: Intel 82580DB	
Front I/O Interface	USB	2 x USB2.0	
Rear I/O Interface	USB	4 x USB2.0	
	PS/2	2	
	COM	1 (RS-232), COM1 don't support wake-on-modem)	
	Display	1 x VGA	
	Parallel	-	
	RJ-45	4	
Watchdog Timer	Output	Interrupt, system reset	
	Interval	Programmable, 1 ~ 255 sec/min	
Power Supply	Power Output Wattage	80+ Bronze 400W ATX PS/2 Single Power Supply	
	Input Range	AC 100 ~ 240 V	
Cooling	Chassis Fan	1 (12 cm/85 CFM) + 1 (6 cm/27.7CFM)	
	Air Filter	Yes	
Miscellaneous	LED Indicators	Power status, HDD activity, Temperature and FAN Status	
	Remote Management	Advantech Remote Monitoring Utility	
Environment	Operating	Non-Operating	
	Temperature	0 ~ 40° C (32 ~ 104° F)	-20 ~ 60° C (-4 ~ 140° F)
	Humidity	10 ~ 85% @ 40° C	10 ~ 95% @ 40° C
	Vibration (5-500 Hz)	0.5Grms	2Grms
Physical Characteristics	Shock	10G (with 11 ms duration, half sine wave)	30G
	Dimension	200 x 320 x 480 mm (7.9" x 12.6" x 18.9")	

Dimensions



Installation



Ordering Information

Advantech P/N	Description
AVS-290-00A1E	Desktop/Wall-mount Xeon E3-1200 Video Wall Controller supporting dual Mura MPX
1960047669N001	Cooler for Xeon E3-1200 series CPU with TDP Up To 95W

Note: Purchasing this CPU cooler is a must, other brand CPU cooler may result in compatibility issue.

Optional Accessories

Item	Advantech P/N
Filter cover	2130006149S000
HD Audio-Card (Occupying 1 expansion slot)	PCA-AUDIO-HDA1E

System Contents

Item	Advantech P/N	Quantity
AVS-290 Bare-Bone System	N/A	1
Driver CD	2066S78100	1

Note: CPU cooler needs to be purchased separately.

Validated OS

Advantech P/N	OS for Embedded System
968QS28F08	Windows Server® 2008 with Hyper-V™ Standard 64 Bit
968QSV2845	Windows Server® 2008 without Hyper-V™ Standard 64 Bit
968QW7PROE	Windows® 7 Professional 64 Bit

Compatible Processors

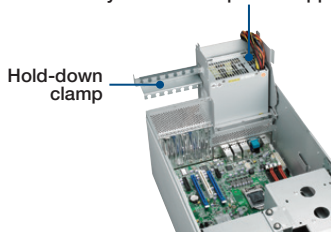
Advantech P/N	Description
96MPXE-3.1-6M11T	XEON 3.1G 6M 1155P 4CORE E3-1225(G)
96MPXE-3.4-8M11T	XEON 3.4G 8M 1155P 4CORE E3-1275(G)
96MPI3-3.3-3M11T	CORE 3.3G 3M 1155P 2CORE I3-2120(G)

Validated Matrox Mura Cards

Advantech P/N	Model	Output	Input
96VG-2G-PE-MA	Mura MPX-4/0	4	0
96VG-2G-PE-MA1	Mura MPX-4/2	4	2
96VG-2G-PE-MA2	Mura MPX-4/4	4	4
96VG-1G-PE-MA	Mura MPX-SDI	2	2
96VG-128M-PE-MA	Mura MPX-V8	0	8
96VG-256M-PE-MA	Mura MPX-V16	0	16

Inside view

Easy-to-maintain power supply bracket



Rear view

