

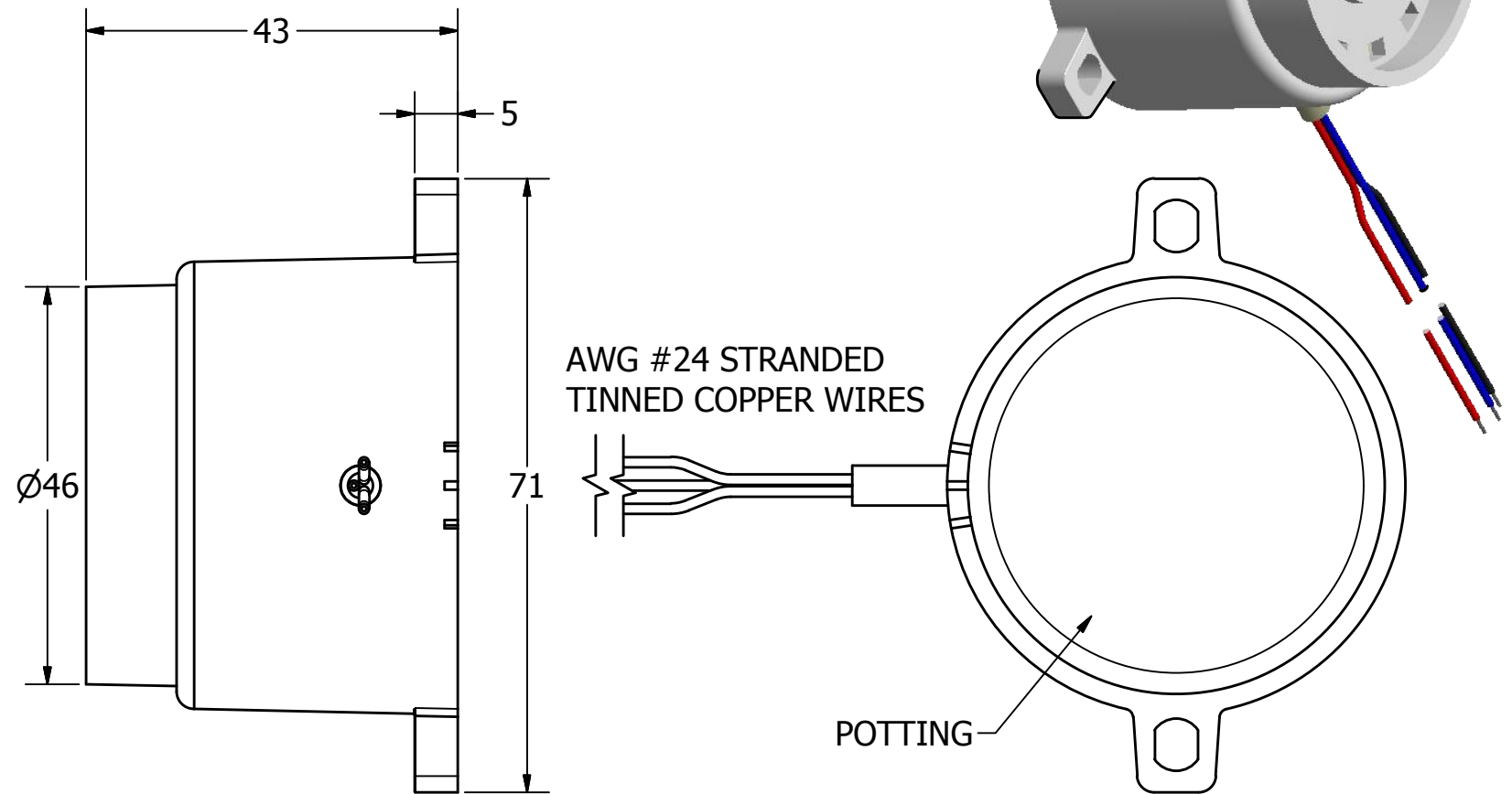
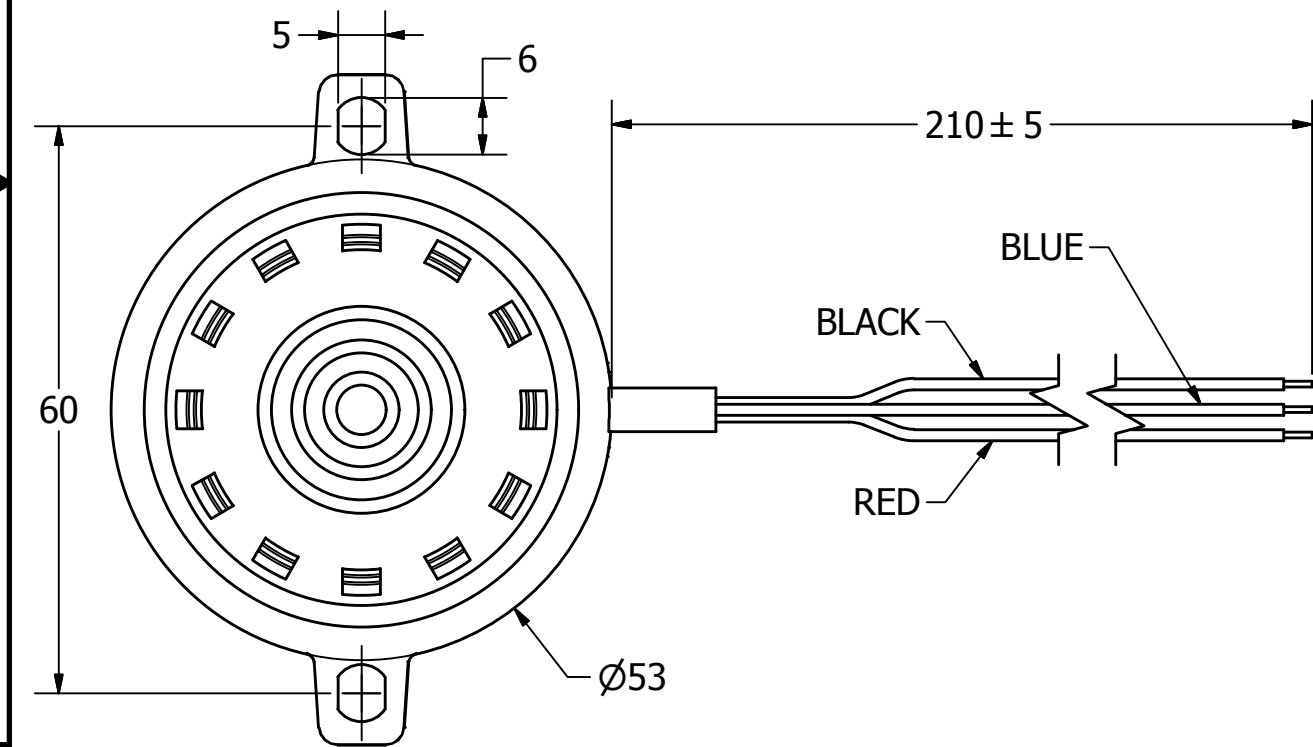
SPECIFICATIONS

PARAMETERS	VALUES	UNITS
RATED VOLTAGE	12	Vdc
OPERATING VOLTAGE RANGE	9 ~ 28	Vdc
RATED CURRENT (MAX)	15	mA
INGRESS PROTECTION	IP65	-
TYPICAL SPL @ 10cm	118	dBA
FREQUENCY RANGE	2,700 ~ 3,100	Hz
SWEEP RATE	4	Hz
CONTINUOUS TONE/ PULSING TONE	RED (+) & BLUE (-) / RED (+) & BLACK (-)	-
OPERATING TEMPERATURE	-25 ~ +70	°C
CASE MATERIAL/COLOR	ABS/WHITE	-
TERMINAL	LEAD WIRE	-
WEIGHT	80	grams

THIS DOCUMENT CONTAINS DATA PROPRIETARY TO PROJECTS UNLIMITED, INC. ANY USE OR REPRODUCTION, IN ANY FORM, WITHOUT PRIOR WRITTEN PERMISSION OF PROJECTS UNLIMITED, INC. IS PROHIBITED.
©2003, Projects Unlimited Inc.

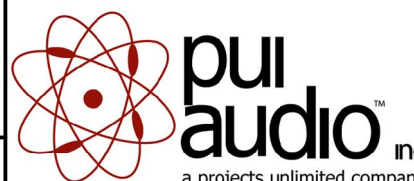
REVISION HISTORY

LTR	DESCRIPTION	DATE	APPROVED
-	RELEASED FROM ENGINEERING	12/15/2005	
A	ADDED RoHS NOTE	5/21/2007	R.W.
B	REVISED LEAD WIRE DIMENSION	6/7/2007	R.W.
C	REVISED TO INVENTOR 3-D DRAWING TEMPLATE	5/18/2010	B.R.
D	REVISED LEAD WIRE LENGTH AND OVERALL LENGTH	8/15/2011	M.L.



NOTES:

1. ALL DIMENSIONS ARE IN MILLIMETERS.
2. SPECIFICATIONS SUBJECT TO CHANGE OR WITHDRAWL WITHOUT NOTICE.
3. THIS PART IS RoHS 2002/95/EC COMPLIANT.

UNLESS OTHERWISE SPECIFIED: DIMENSIONS ARE IN MILLIMETERS, TOLERANCES ARE ±0.5 AND ANGLES ARE ±3°.	SIZE A3	Designed by	Date	Checked by	Date	Approved by	Date	Drawn Date
		J.A.F.	12/12/2005	B.R.	12/12/2005	E.P.	12/12/2005	5/18/2010
AW-10FW-NSVC.idw		 a projects unlimited company		AW-10FW-NSVC				
Siren						Edition	Sheet	
						-	1 / 1	