

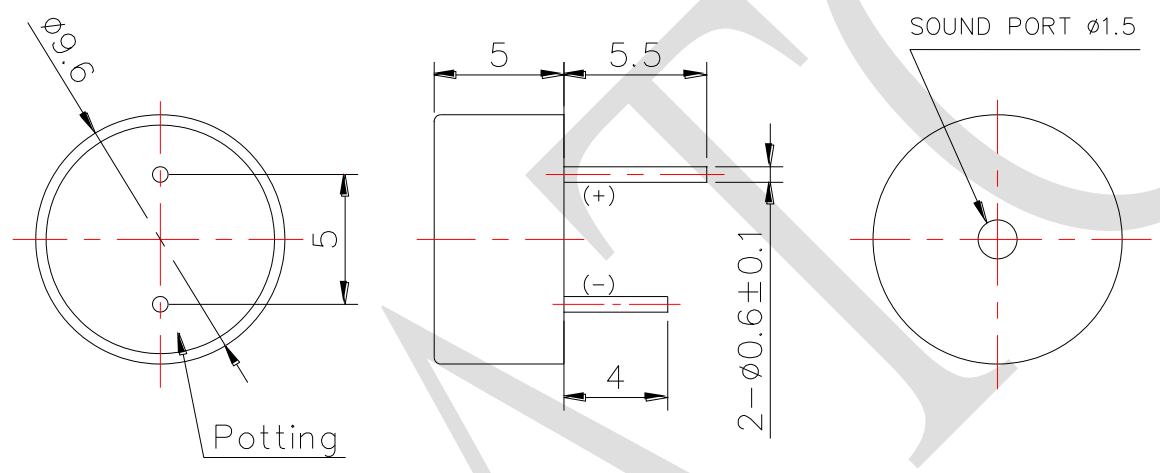
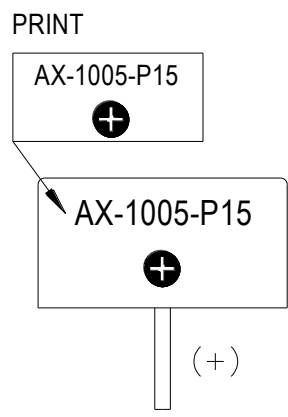
# 1. SPECIFICATION

AX-1005-P15

ITEM		UNITS	SPECIFICATIONS	CONDITIONS
01	Rated Voltage	V	5	
02	Operating Voltage	V	4 ~ 7	
03	Mean consumption Current	mA Max.	30	
04	Resonant Frequency	Hz	3100± 300	
05	Response times	ms	≥ 100	
06	Sound pressure level	dB(A)	Min.85	

Rated Voltage, Distance at 10cm

REV NO.	REVISION NOTE	APPROVAL	DATE
---------	---------------	----------	------



RoHS

TITLE: ELECTRO MAGNETIC BUZZER		DRAWN: <b>Moose</b> 2015/10/07	SCALE: 4:1	SHEET: 1 of 1
PART NO. AX-1005-P15		DESIGNED: R&D OF AAT	UNITS: mm	
DWG NO. FDB-096050F-05031		CHECKED:	TOLERANCE ± 0.5	
REV 2		APPROVAL:	UNLESS OTHERWISE SPECIFIED:	
		MATERIAL: PPO	ONE PLACE DECIMAL ± ***	
			TWO PLACE DECIMAL ± ***	
			THREE PLACE DECIMAL ± ***	



ADVANCED ACOUSTIC TECHNOLOGY CORPORATION