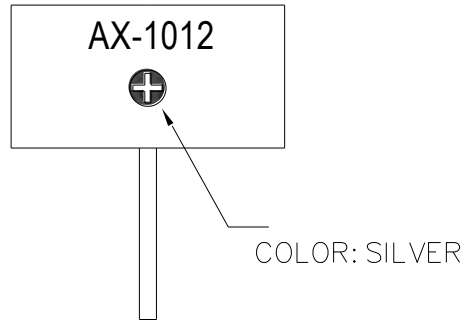
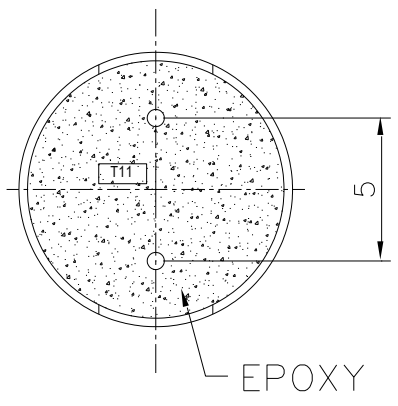
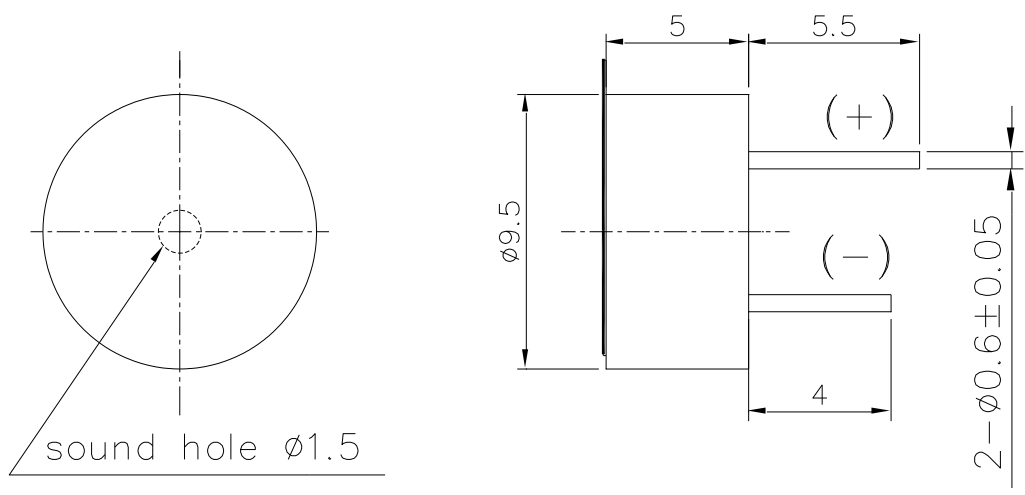


# 1. Specifications

AX-1012(RoHS)

Items		Units	Specifications	Conditions
01	Rated Voltage	VDC	12.0	Response Time 0.5 Sec
02	Operating Voltage	VDC	9.0 ~ 15.0	Volts D.C
03	Consumption Current	mA (Max)	Mean 15	Applying rated voltage
			Peak 45	
04	Direct Current Resistance	Ohm	None	
05	Sound Output	dBA (min)	80	Distance at 10cm,applying rated voltage
06	Basic Frequency	Hz	2500± 200	

REV NO.	REVISION NOTE	APPROVAL	DATE
---------	---------------	----------	------



TITLE: SOUND TRANSDUCER DIMENSIONS		DRAWN: TOM	2008/12/10	SCALE: 1:1	SHEET: 1 : 1
PART NO. AX-1012		DESIGNED: R & D OF AAT	UNITS: mm		
DWC NO. XD-1053		CHECKED:	TOLERANCE ± 0.5		
REV 1		APPROVAL:	UNLESS OTHERWISE SPECIFIED:		
		MATERIAL: Black PBT	ONE PLACE DECIMAL ± ***		
			TWO PLACE DECIMAL ± ***		
			THREE PLACE DECIMAL ± ***		



苙翔科技股份有限公司  
 ADVANCED ACOUSTIC TECHNOLOGY CORPORATION