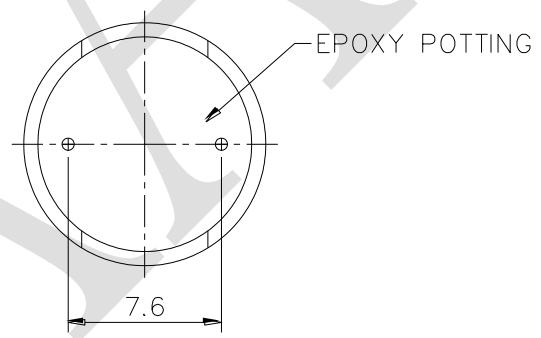
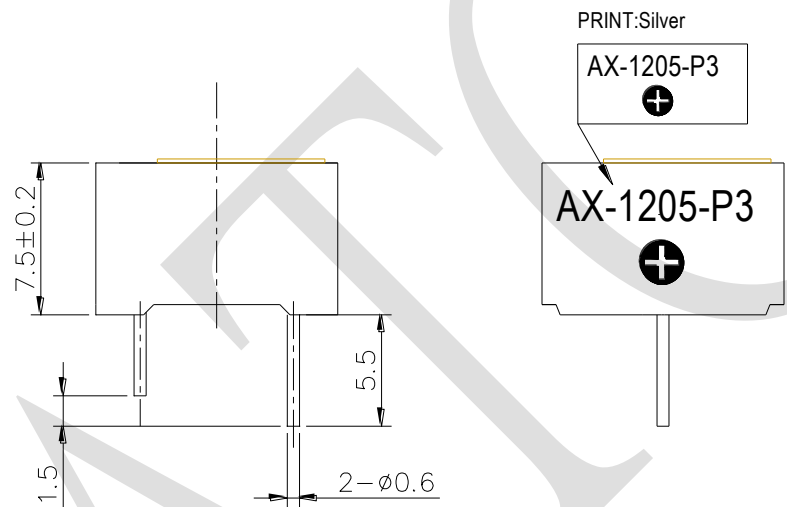
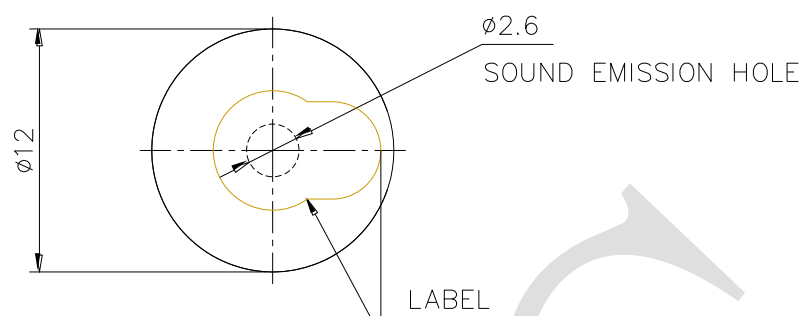


# 1. SPECIFICATION

AX-1205-P3-1

ITEM		UNITS	SPECIFICATIONS	CONDITIONS
01	Rated Voltage	V	5	
02	Operating Voltage	V	3 ~ 7	
03	Consumption Current	mA (Max)	30	Rated Voltage
04	Resonant Frequency	Hz	3100± 300	Rated Voltage
05	Response times	ms	≥ 100	
06	Sound pressure level	dB(A) Min.	85	Distance at 10cm Rated Voltage / Resonant Frequency

REV NO.	REVISION NOTE	APPROVAL	DATE
---------	---------------	----------	------



RoHS

TITLE: SOUND TRANSDUCER DIMENSIONS		DRAWN: <b>Moose</b> 2017/02/08	SCALE: 3/1	SHEET: 1 of 1
PART NO. AX-1205-P3-1	3	DESIGNED: R&D OF AAT	UNITS: mm	
DWG NO. ***-*****		CHECKED:	TOLERANCE ± 0.5	
REV		APPROVAL:	UNLESS OTHERWISE SPECIFIED, ONE PLACE DECIMAL ± *** TWO PLACE DECIMAL ± *** THREE PLACE DECIMAL ± ***	
		MATERIAL: NORYL		



**ADVANCED ACOUSTIC TECHNOLOGY CORPOATION**