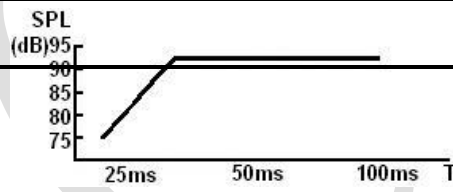


# 1. SPECIFICATION

AX-1212-H2-LF

ITEM		UNITS	SPECIFICATIONS	CONDITIONS
01	Rated Voltage	V	12	VDC
02	Operating Voltage	V	8 ~ 16	
03	Consumption Current	mA (Max)	Mean : 35	Rated Voltage
			Peak : 105	
04	Sound Output	dBA (Min)	83	Distance at 10cm
05	Resonant Frequency	Hz	2300 ± 300	

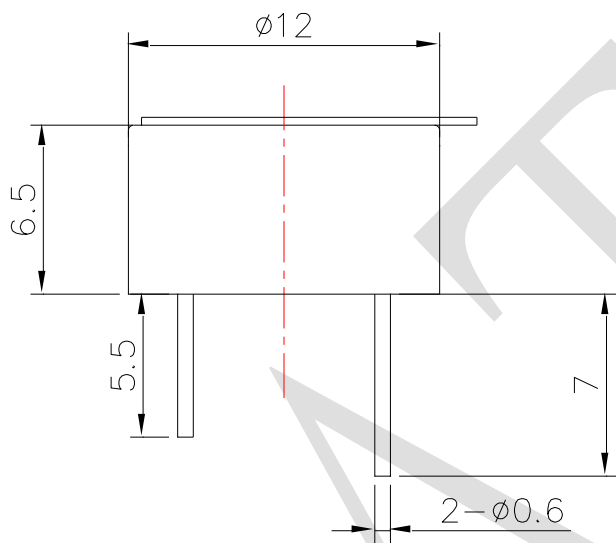
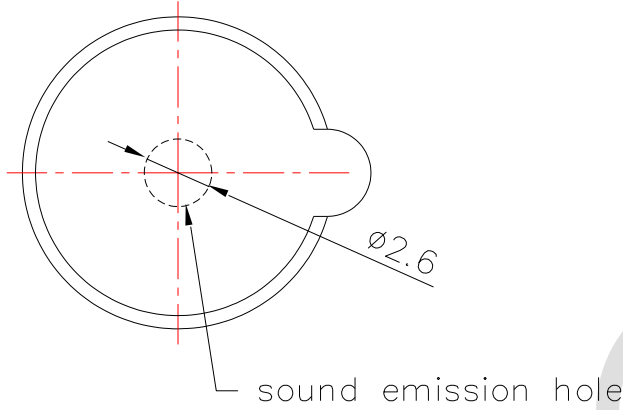


REV NO.

REVISION NOTE

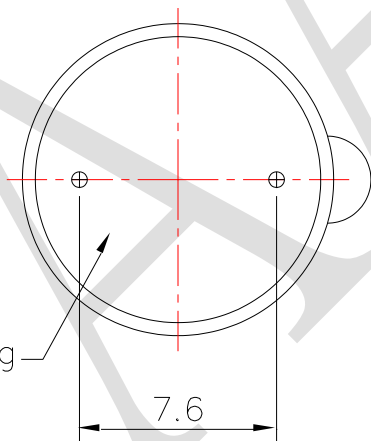
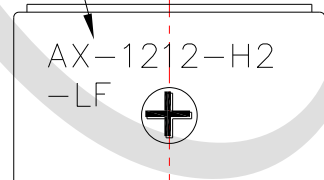
APPROVAL

DATE



PRINT

AX-1212-H2  
-LF  $\oplus$



epoxy potting

RoHS

TITLE: ELECTRO MAGNETIC BUZZER		DRAWN: Zack	2012/06/04	SCALE: 4:1	SHEET: 1 of 1
PART NO. AX-1212-H2-LF		DESIGNED: R&D OF AAT		UNITS: mm	TOLERANCE $\pm 0.5$
DWG NO. UGCM1212GXP7.0/5.5		CHECKED:		UNLESS OTHERWISE SPECIFIED:	
REV 1		APPROVAL:		ONE PLACE DECIMAL $\pm$ ***	
		MATERIAL: NORYL		TWO PLACE DECIMAL $\pm$ ***	
				THREE PLACE DECIMAL $\pm$ ***	



苙翔科技股份有限公司  
ADVANCED ACOUSTIC TECHNOLOGY CORPORATION