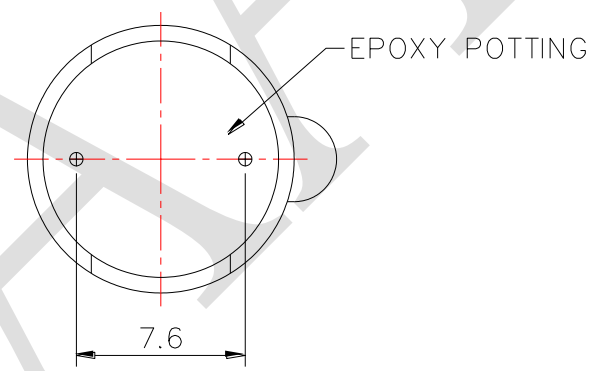
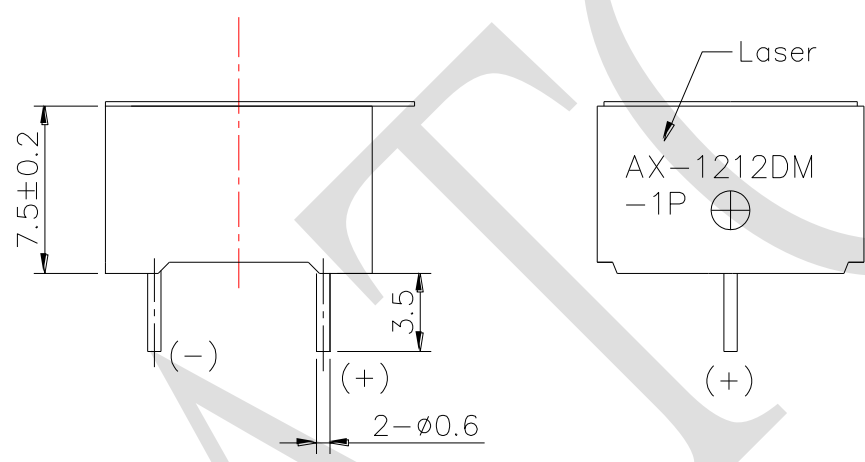
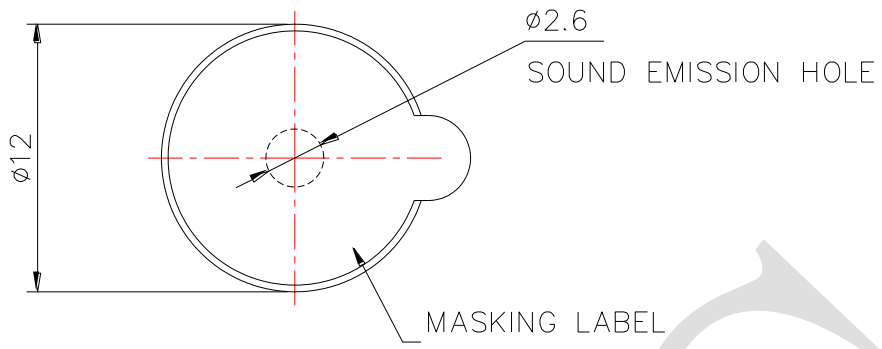


1. SPECIFICATION

AX-1212DM-1P

ITEM		UNITS	SPECIFICATIONS	CONDITIONS
01	Rated Voltage	V	12	
02	Operating Voltage	V	9~15	
03	Consumption Current	mA (Max)	30	Rated Voltage
04	Resonant Frequency	Hz	3100± 300	Rated Voltage
05	Response times	ms	≥ 100	
06	Sound pressure level	dB(A) Min.	85	Distance at 10cm Rated Voltage / Resonant Frequency

REV NO.	REVISION NOTE	APPROVAL	DATE
---------	---------------	----------	------



RoHS

TITLE: ELECTRO MAGNETIC BUZZER		DRAWN: Zack	2017/09/08	SCALE: 4:1	SHEET: 1 of 1
PART NO. AX-1212DM-1P		DESIGNED: R&D OF AAT		UNITS: mm	
DWG NO. *****		CHECKED:		TOLERANCE ± 0.5	
		APPROVAL:		UNLESS OTHERWISE SPECIFIED:	
REV 1		MATERIAL: NORYL		ONE PLACE DECIMAL ± ***	
				TWO PLACE DECIMAL ± ***	
				THREE PLACE DECIMAL ± ***	



ADVANCED ACOUSTIC TECHNOLOGY CORPORATION