

1. SPECIFICATION

AX-903-P4

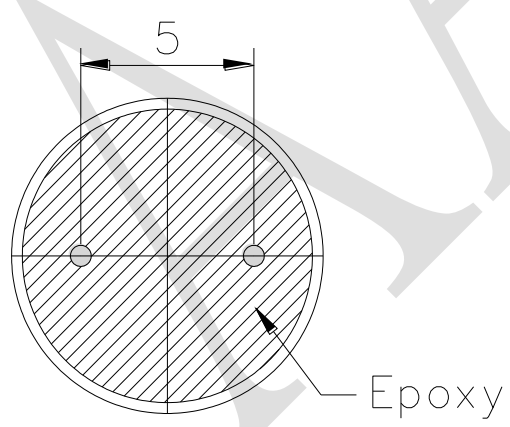
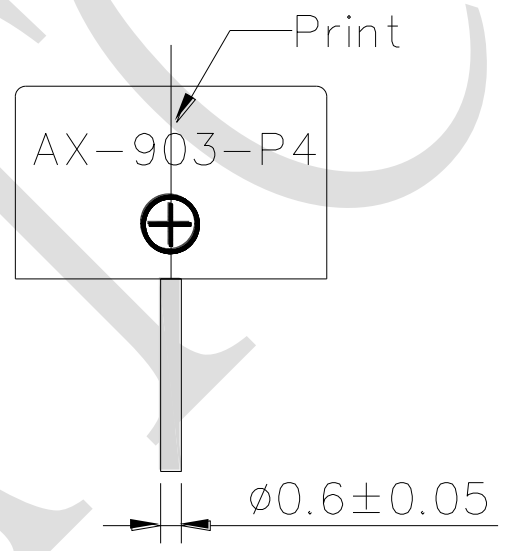
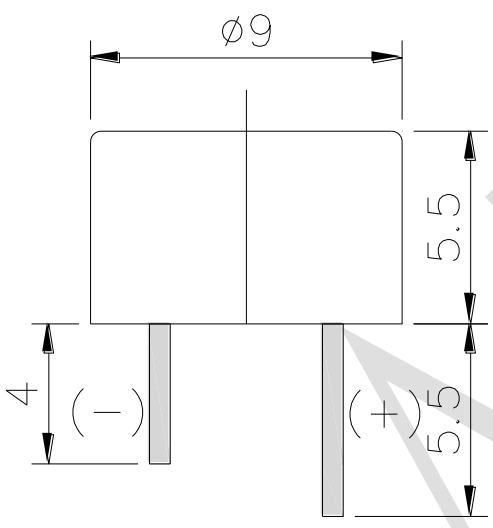
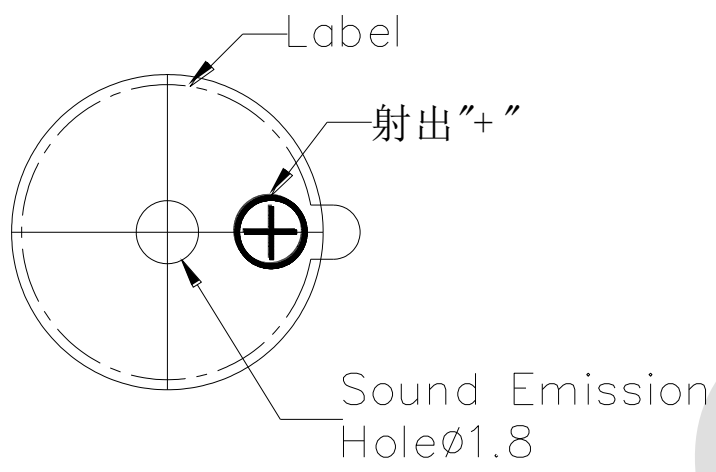
ITEM		UNITS	SPECIFICATIONS	CONDITIONS
01	Rated Voltage	V	3	
02	Operating Voltage	V	2 ~ 4	
03	Consumption Current	mA (Max)	Mean : 30	Rated Voltage
			Peak : 90	
04	Sound pressure level	dBA (Min)	80	Distance at 10cm
05	Resonant Frequency	Hz	3100±500	

REV NO.

REVISION NOTE

APPROVAL

DATE



RoHS

TITLE: ELECTRO MAGNETIC BUZZER		DRAWN: Sara	2012-9-13	SCALE: 4:1	SHEET: 1 of 1
PART NO. AX-903-P4		DESIGNED: R&D OF AAT		UNITS: mm	
DWG NO. FDM-1247 FDB-090055F-03031	1 REV	CHECKED:		TOLERANCE ± 0.5	
		APPROVAL:		UNLESS OTHERWISE SPECIFIED:	
		MATERIAL: PPO		ONE PLACE DECIMAL \pm ***	
				TWO PLACE DECIMAL \pm ***	
				THREE PLACE DECIMAL \pm ***	



ADVANCED ACOUSTIC TECHNOLOGY CORPORATION