

Axcelerator Family FPGAs

Leading-Edge Performance

- 350+ MHz System Performance
- 500+ MHz Internal Performance
- High-Performance Embedded FIFOs
- 700 Mb/s LVDS Capable I/Os

Specifications

- Up to 2 Million Equivalent System Gates
- Up to 684 I/Os
- Up to 10,752 Dedicated Flip-Flops
- Up to 295 kbits Embedded SRAM/FIFO
- Manufactured on Advanced 0.15 μm CMOS Antifuse Process Technology, 7 Layers of Metal

Features

- Single-Chip, Nonvolatile Solution
- Up to 100% Resource Utilization with 100% Pin Locking
- 1.5 V Core Voltage for Low Power
- Footprint Compatible Packaging
- Flexible, Multi-Standard I/Os:
 - 1.5 V, 1.8 V, 2.5 V, 3.3 V Mixed Voltage Operation
 - Bank-Selectable I/Os – 8 Banks per Chip
 - Single-Ended I/O Standards: LVTTTL, LVCMOS, 3.3V PCI, and 3.3 V PCI-X
 - Differential I/O Standards: LVPECL and LVDS

- Voltage-Referenced I/O Standards: GTL+, HSTL Class 1, SSTL2 Class 1 and 2, SSTL3 Class 1 and 2
- Registered I/Os
- Hot-Swap Compliant I/Os (except PCI)
- Programmable Slew Rate and Drive Strength on Outputs
- Programmable Delay and Weak Pull-Up/Pull-Down Circuits on Inputs
- Embedded Memory:
 - Variable-Aspect 4,608-bit RAM Blocks (x1, x2, x4, x9, x18, x36 Organizations Available)
 - Independent, Width-Configurable Read and Write Ports
 - Programmable Embedded FIFO Control Logic
- Segmentable Clock Resources
- Embedded Phase-Locked Loop:
 - 14-200 MHz Input Range
 - Frequency Synthesis Capabilities up to 1 GHz
- Deterministic, User-Controllable Timing
- Unique In-System Diagnostic and Debug Capability with Microsemi Silicon Explorer II
- Boundary-Scan Testing Compliant with IEEE Standard 1149.1 (JTAG)
- FuseLock™ Programming Technology Protects Against Reverse Engineering and Design Theft

Table 1 • Axcelerator Family Product Profile

| Device | AX125 | AX250 | AX500 | AX1000 | AX2000 |
|---------------------------------------|----------|----------|----------|---------------|-----------|
| Capacity (in Equivalent System Gates) | 125,000 | 250,000 | 500,000 | 1,000,000 | 2,000,000 |
| Typical Gates | 82,000 | 154,000 | 286,000 | 612,000 | 1,060,000 |
| Modules | | | | | |
| Register (R-cells) | 672 | 1,408 | 2,688 | 6,048 | 10,752 |
| Combinatorial (C-cells) | 1,344 | 2,816 | 5,376 | 12,096 | 21,504 |
| Maximum Flip-Flops | 1,344 | 2,816 | 5,376 | 12,096 | 21,504 |
| Embedded RAM/FIFO | | | | | |
| Number of Core RAM Blocks | 4 | 12 | 16 | 36 | 64 |
| Total Bits of Core RAM | 18,432 | 55,296 | 73,728 | 165,888 | 294,912 |
| Clocks (Segmentable) | | | | | |
| Hardwired | 4 | 4 | 4 | 4 | 4 |
| Routed | 4 | 4 | 4 | 4 | 4 |
| PLLs | 8 | 8 | 8 | 8 | 8 |
| I/Os | | | | | |
| I/O Banks | 8 | 8 | 8 | 8 | 8 |
| Maximum User I/Os | 168 | 248 | 336 | 516 | 684 |
| Maximum LVDS Channels | 84 | 124 | 168 | 258 | 342 |
| Total I/O Registers | 504 | 744 | 1,008 | 1,548 | 2,052 |
| Package | | | | | |
| PQ | | 208 | 208 | | |
| BG | | | | 729 | |
| FG | 256, 324 | 256, 484 | 484, 676 | 484, 676, 896 | 896, 1152 |
| CQ | | 208, 352 | 208, 352 | 352 | 256, 352 |
| CG | | | | 624 | 624 |

Ordering Information



Device Resources

| User I/Os (Including Clock Buffers) | | | | | |
|-------------------------------------|-------|-------|-------|--------|--------|
| Package | AX125 | AX250 | AX500 | AX1000 | AX2000 |
| PQ208 | – | 115 | 115 | – | – |
| CQ208 | – | 115 | 115 | – | – |
| CQ256 | – | – | – | – | 136 |
| FG256 | 138 | 138 | – | – | – |
| FG324 | 168 | – | – | – | – |
| CQ352 | – | 198 | 198 | 198 | 198 |
| FG484 | – | 248 | 317 | 317 | – |
| CG624 | – | – | – | 418 | 418 |
| FG676 | – | – | 336 | 418 | – |
| BG729 | – | – | – | 516 | – |
| FG896 | – | – | – | 516 | 586 |
| FG1152 | – | – | – | – | 684 |

Note: The FG256, FG324, and FG484 are footprint compatible with one another. The FG676, FG896, and FG1152 are also footprint compatible with one another.

Axcelerator Family Device Status

| Axcelerator® Devices | Status |
|----------------------|------------|
| AX125 | Production |
| AX250 | Production |
| AX500 | Production |
| AX1000 | Production |
| AX2000 | Production |

Temperature Grade Offerings

| Package | AX125 | AX250 | AX500 | AX1000 | AX2000 |
|---------|-------|---------|---------|---------|---------|
| PQ208 | – | C, I, M | C, I, M | – | – |
| CQ208 | – | M | M | – | – |
| CQ256 | – | – | – | – | M |
| FG256 | C, I | C, I, M | – | – | – |
| FG324 | C, I | – | – | – | – |
| CQ352 | – | M | M | M | M |
| FG484 | – | C, I, M | C, I, M | C, I, M | – |
| CG624 | – | – | – | M | M |
| FG676 | – | – | C, I, M | C, I, M | – |
| BG729 | – | – | – | C, I, M | – |
| FG896 | – | – | – | C, I, M | C, I, M |
| FG1152 | – | – | – | – | C, I, M |

C = Commercial

I = Industrial

M = Military

Speed Grade and Temperature Grade Matrix

| Temperature Grade | Std | –1 | –2 |
|-------------------|-----|----|----|
| C | ✓ | ✓ | ✓ |
| I | ✓ | ✓ | ✓ |
| M | ✓ | ✓ | – |

C = Commercial

I = Industrial

M = Military

Packaging Data

Refer to the following documents located on the Microsemi SoC Products Group website for additional packaging information.

[Package Mechanical Drawings](#)

[Package Thermal Characteristics and Weights](#)

[Hermetic Package Mechanical Information](#)

Contact your local Microsemi representative for device availability.

Table of Contents

General Description

| | |
|---------------------------|-----|
| Device Architecture | 1-1 |
| Design Environment | 1-7 |
| Summary | 1-8 |
| Related Documents | 1-8 |

Detailed Specifications

| | |
|---|-------|
| Operating Conditions | 2-1 |
| Thermal Characteristics | 2-6 |
| I/O Specifications | 2-9 |
| Voltage-Referenced I/O Standards | 2-43 |
| Differential Standards | 2-50 |
| Module Specifications | 2-54 |
| Routing Specifications | 2-61 |
| Global Resources | 2-66 |
| Axcelerator Clock Management System | 2-75 |
| Embedded Memory | 2-86 |
| Other Architectural Features | 2-106 |
| Programming | 2-110 |

Package Pin Assignments

| | |
|--------------|-------|
| BG729 | 3-1 |
| FG256 | 3-9 |
| FG324 | 3-16 |
| FG484 | 3-21 |
| FG676 | 3-37 |
| FG896 | 3-52 |
| FG1152 | 3-71 |
| PQ208 | 3-84 |
| CQ208 | 3-89 |
| CQ256 | 3-94 |
| CQ352 | 3-98 |
| CG624 | 3-115 |

Datasheet Information

| | |
|---|-----|
| List of Changes | 4-1 |
| Datasheet Categories | 4-7 |
| Safety Critical, Life Support, and High-Reliability Applications Policy | 4-7 |

1 – General Description

Axcelerator devices offer high performance at densities of up to two million equivalent system gates. Based upon the Microsemi AX architecture, Axcelerator has several system-level features such as embedded SRAM (with complete FIFO control logic), PLLs, segmentable clocks, chip-wide highway routing, and carry logic.

Device Architecture

AX architecture, derived from the highly-successful SX-A sea-of-modules architecture, has been designed for high performance and total logic module utilization (Figure 1-1). Unlike in traditional FPGAs, the entire floor of the Axcelerator device is covered with a grid of logic modules, with virtually no chip area lost to interconnect elements or routing.

Programmable Interconnect Element

The Axcelerator family uses a patented metal-to-metal antifuse programmable interconnect element that resides between the upper two layers of metal (Figure 1-2 on page 1-2). This completely eliminates the channels of routing and interconnect resources between logic modules (as implemented on traditional FPGAs) and enables the efficient sea-of-modules architecture. The antifuses are normally open circuit and, when programmed, form a permanent, passive, low-impedance connection, leading to the fastest signal propagation in the industry. In addition, the extremely small size of these interconnect elements gives the Axcelerator family abundant routing resources.

The very nature of Microsemi's nonvolatile antifuse technology provides excellent protection against design pirating and cloning (FuseLock technology). Typical cloning attempts are impossible (even if the security fuse is left unprogrammed) as no bitstream or programming file is ever downloaded or stored in the device. Reverse engineering is virtually impossible due to the difficulty of trying to distinguish between programmed and unprogrammed antifuses and also due to the programming methodology of antifuse devices (see "Security" on page 2-108).

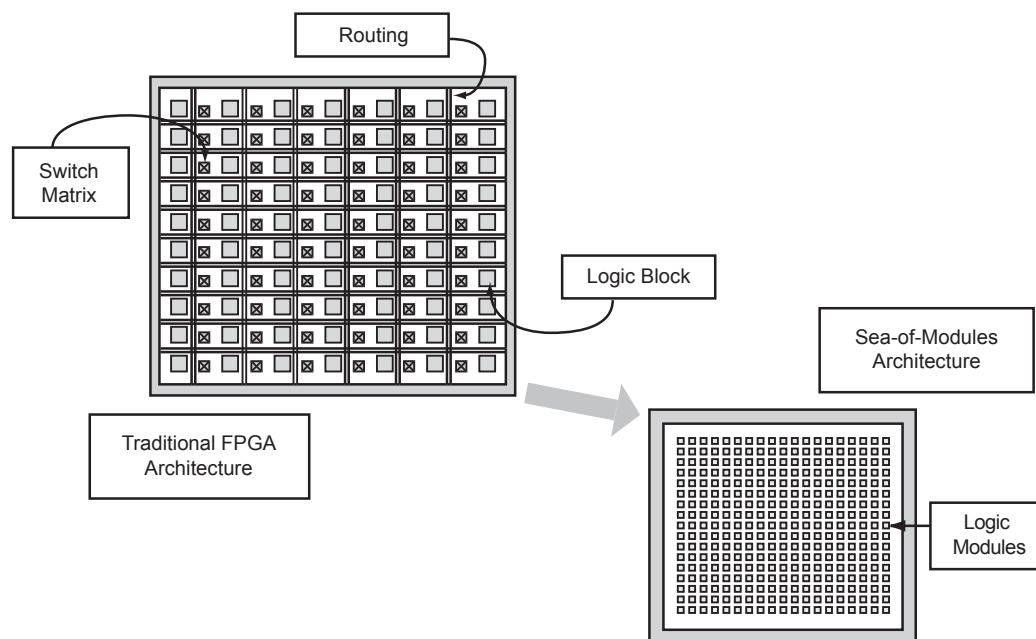


Figure 1-1 • Sea-of-Modules Comparison

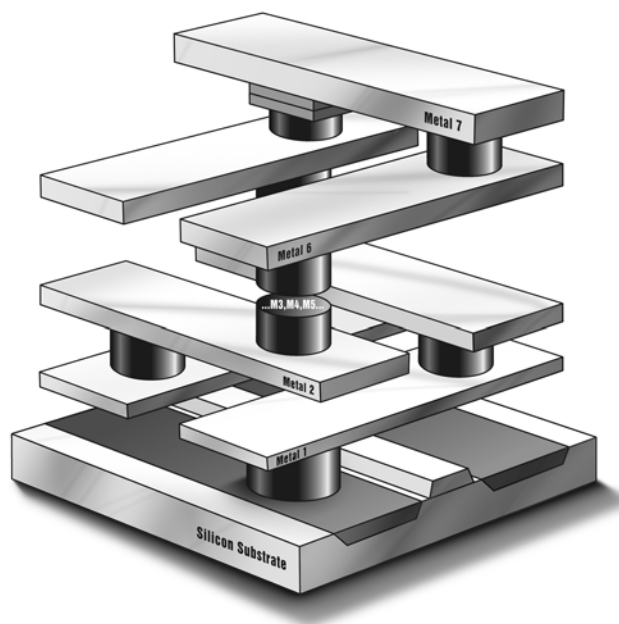


Figure 1-2 • Accelerator Family Interconnect Elements

Logic Modules

Microsemi's Axcelerator family provides two types of logic modules: the register cell (R-cell) and the combinatorial cell (C-cell). The Axcelerator device can implement more than 4,000 combinatorial functions of up to five inputs (Figure 1-3).

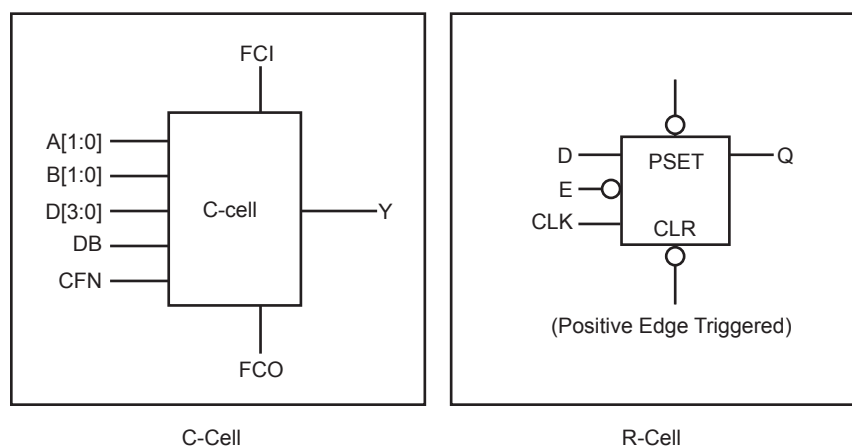


Figure 1-3 • AX C-Cell and R-Cell

The R-cell contains a flip-flop featuring asynchronous clear, asynchronous preset, and active-low enable control signals (Figure 1-3). The R-cell registers feature programmable clock polarity selectable on a register-by-register basis. This provides additional flexibility (e.g., easy mapping of dual-data-rate functions into the FPGA) while conserving valuable clock resources. The clock source for the R-cell can be chosen from the hardwired clocks, routed clocks, or internal logic.

Two C-cells, a single R-cell, two Transmit (TX), and two Receive (RX) routing buffers form a Cluster, while two Clusters comprise a SuperCluster (Figure 1-4). Each SuperCluster also contains an independent Buffer (B) module, which supports buffer insertion on high-fanout nets by the place-and-route tool, minimizing system delays while improving logic utilization.

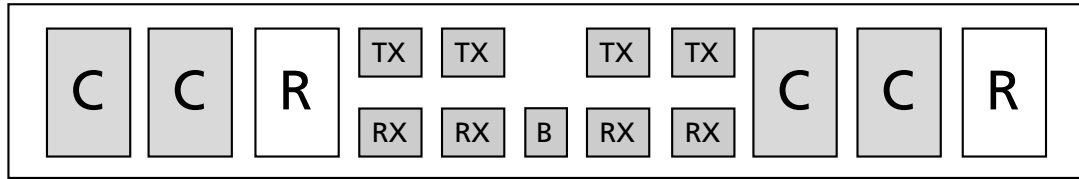


Figure 1-4 • AX SuperCluster

The logic modules within the SuperCluster are arranged so that two combinatorial modules are side-by-side, giving a C–C–R – C–C–R pattern to the SuperCluster. This C–C–R pattern enables efficient implementation (minimum delay) of two-bit carry logic for improved arithmetic performance (Figure 1-5 on page 1-3).

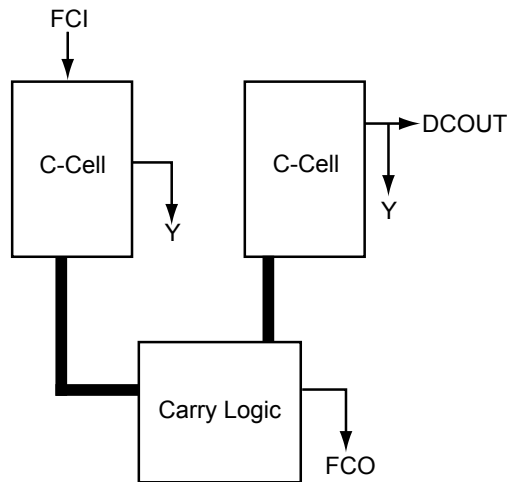


Figure 1-5 • AX 2-Bit Carry Logic

The AX architecture is fully fracturable, meaning that if one or more of the logic modules in a SuperCluster are used by a particular signal path, the other logic modules are still available for use by other paths.

At the chip level, SuperClusters are organized into core tiles, which are arrayed to build up the full chip. For example, the AX1000 is composed of a 3x3 array of nine core tiles. Surrounding the array of core tiles are blocks of I/O Clusters and the I/O bank ring (Table 1-1). Each core tile consists of an array of 336 SuperClusters and four SRAM blocks (176 SuperClusters and three SRAM blocks for the AX250).

Table 1-1 • Number of Core Tiles per Device

| Device | Number of Core Tiles |
|--------|----------------------|
| AX125 | 1 regular tile |
| AX250 | 4 smaller tiles |
| AX500 | 4 regular tiles |
| AX1000 | 9 regular tiles |
| AX2000 | 16 regular tiles |

The SRAM blocks are arranged in a column on the west side of the tile (Figure 1-6 on page 1-4).

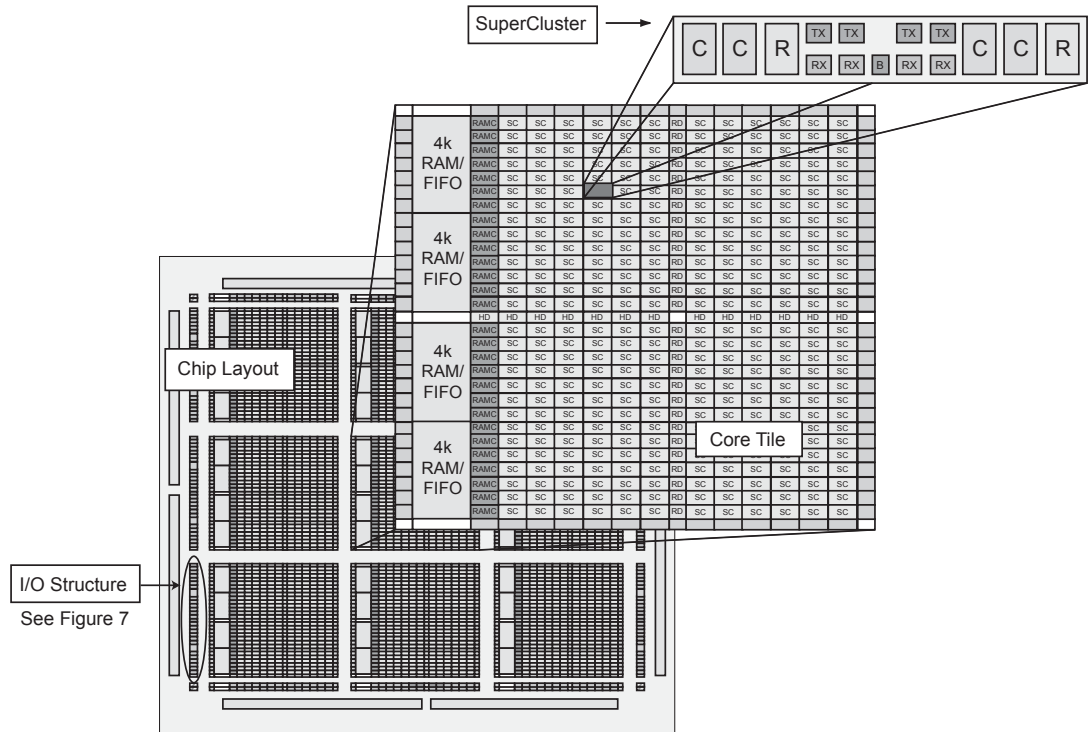


Figure 1-6 • AX Device Architecture (AX1000 shown)

Embedded Memory

As mentioned earlier, each core tile has either three (in a smaller tile) or four (in the regular tile) embedded SRAM blocks along the west side, and each variable-aspect-ratio SRAM block is 4,608 bits in size. Available memory configurations are: 128x36, 256x18, 512x9, 1kx4, 2kx2 or 4kx1 bits. The individual blocks have separate read and write ports that can be configured with different bit widths on each port. For example, data can be written in by eight and read out by one.

In addition, every SRAM block has an embedded FIFO control unit. The control unit allows the SRAM block to be configured as a synchronous FIFO without using core logic modules. The FIFO width and depth are programmable. The FIFO also features programmable ALMOST-EMPTY (AEMPTY) and ALMOST-FULL (AFULL) flags in addition to the normal EMPTY and FULL flags. In addition to the flag logic, the embedded FIFO control unit also contains the counters necessary for the generation of the read and write address pointers as well as control circuitry to prevent metastability and erroneous operation. The embedded SRAM/FIFO blocks can be cascaded to create larger configurations.

I/O Logic

The Axcelerator family of FPGAs features a flexible I/O structure, supporting a range of mixed voltages with its bank-selectable I/Os: 1.5V, 1.8V, 2.5V, and 3.3V. In all, Axcelerator FPGAs support at least 14 different I/O standards (single-ended, differential, voltage-referenced). The I/Os are organized into banks, with eight banks per device (two per side). The configuration of these banks determines the I/O standards supported (see "User I/Os" on page 2-11 for more information). All I/O standards are available in each bank.

Each I/O module has an input register (InReg), an output register (OutReg), and an enable register (EnReg) (Figure 1-7 on page 1-5). An I/O Cluster includes two I/O modules, four RX modules, two TX modules, and a buffer (B) module.

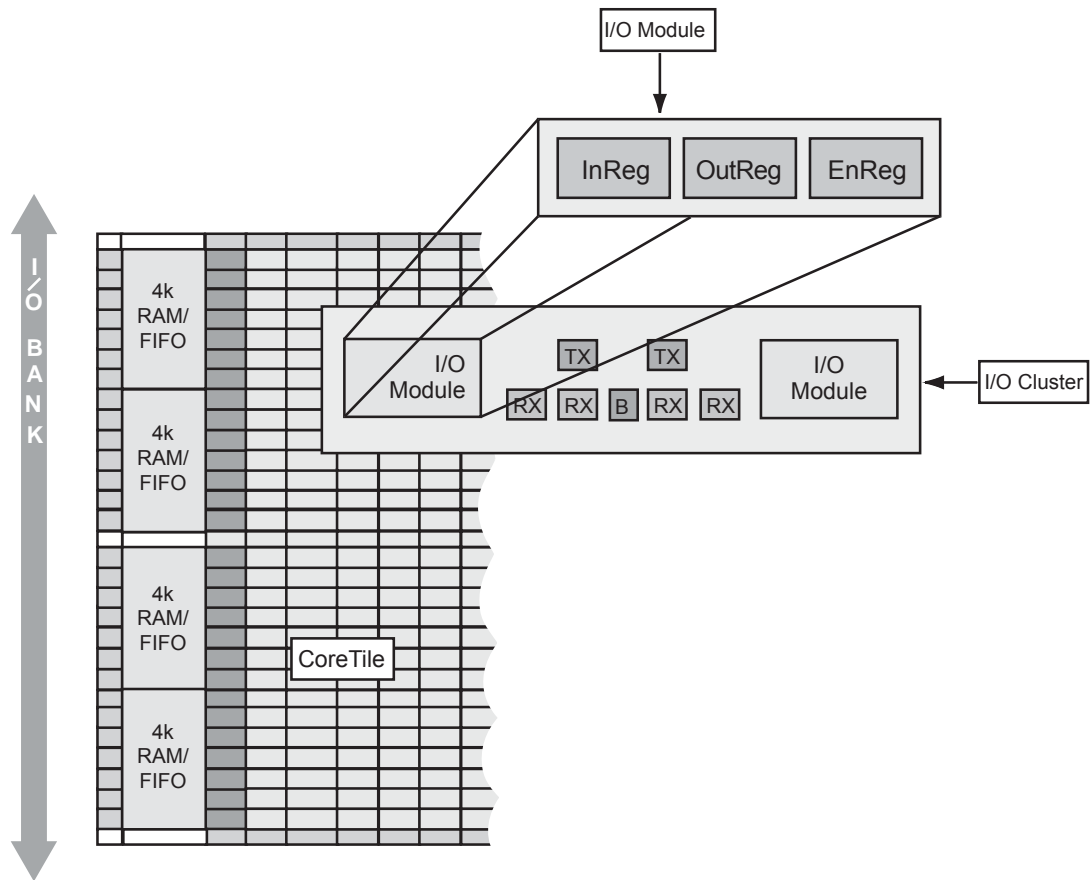


Figure 1-7 • I/O Cluster Arrangement

Routing

The AX hierarchical routing structure ties the logic modules, the embedded memory blocks, and the I/O modules together (Figure 1-8 on page 1-6). At the lowest level, in and between SuperClusters, there are three local routing structures: FastConnect, DirectConnect, and CarryConnect routing. DirectConnects provide the highest performance routing inside the SuperClusters by connecting a C-cell to the adjacent R-cell. DirectConnects do not require an antifuse to make the connection and achieve a signal propagation time of less than 0.1 ns.

FastConnects provide high-performance, horizontal routing inside the SuperCluster and vertical routing to the SuperCluster immediately below it. Only one programmable connection is used in a FastConnect path, delivering a maximum routing delay of 0.4 ns.

CarryConnects are used for routing carry logic between adjacent SuperClusters. They connect the FCO output of one two-bit, C-cell carry logic to the FCI input of the two-bit, C-cell carry logic of the SuperCluster below it. CarryConnects do not require an antifuse to make the connection and achieve a signal propagation time of less than 0.1 ns.

The next level contains the core tile routing. Over the SuperClusters within a core tile, both vertical and horizontal tracks run across rows or columns, respectively. At the chip level, vertical and horizontal tracks extend across the full length of the device, both north-to-south and east-to-west. These tracks are composed of highway routing that extend the entire length of the device (segmented at core tile boundaries) as well as segmented routing of varying lengths.

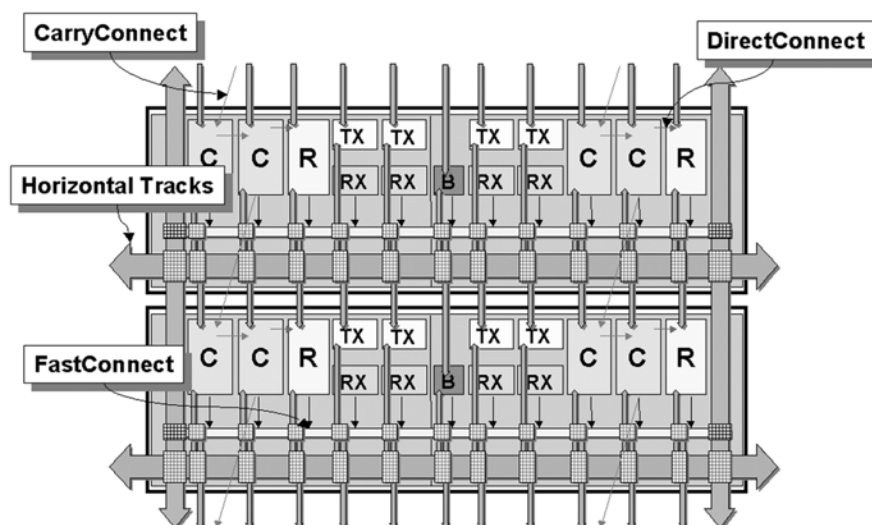


Figure 1-8 • AX Routing Structures

Global Resources

Each family member has three types of global signals available to the designer: HCLK, CLK, and GCLR/GPSET. There are four hardwired clocks (HCLK) per device that can directly drive the clock input of each R-cell. Each of the four routed clocks (CLK) can drive the clock, clear, preset, or enable pin of an R-cell or any input of a C-cell (Figure 1-3 on page 1-2).

Global clear (GCLR) and global preset (GPSET) drive the clear and preset inputs of each R-cell as well as each I/O Register on a chip-wide basis at power-up.

Each HCLK and CLK has an associated analog PLL (a total of eight per chip). Each embedded PLL can be used for clock delay minimization, clock delay adjustment, or clock frequency synthesis. The PLL is capable of operating with input frequencies ranging from 14 MHz to 200 MHz and can generate output frequencies between 20 MHz and 1 GHz. The clock can be either divided or multiplied by factors ranging from 1 to 64. Additionally, multiply and divide settings can be used in any combination as long as the resulting clock frequency is between 20 MHz and 1 GHz. Adjacent PLLs can be cascaded to create complex frequency combinations.

The PLL can be used to introduce either a positive or a negative clock delay of up to 3.75 ns in 250 ps increments. The reference clock required to drive the PLL can be derived from three sources: external input pad (either single-ended or differential), internal logic, or the output of an adjacent PLL.

Low Power (LP) Mode

The AX architecture was created for high-performance designs but also includes a low power mode (activated via the LP pin). When the low power mode is activated, I/O banks can be disabled (inputs disabled, outputs tristated), and PLLs can be placed in a power-down mode. All internal register states are maintained in this mode. Furthermore, individual I/O banks can be configured to opt out of the LP mode, thereby giving the designer access to critical signals while the rest of the chip is in low power mode.

The power can be further reduced by providing an external voltage source (V_{PUMP}) to the device to bypass the internal charge pump (See "Low Power Mode" on page 2-106 for more information).

Design Environment

The Axcelerator family of FPGAs is fully supported by both Microsemi's Libero[®] Integrated Design Environment and Designer FPGA Development software. Libero IDE is an integrated design manager that seamlessly integrates design tools while guiding the user through the design flow, managing all design and log files, and passing necessary design data among tools. Additionally, Libero IDE allows users to integrate both schematic and HDL synthesis into a single flow and verify the entire design in a single environment (see the [Libero IDE Flow](#) diagram located on the Microsemi SoC Products Group website). Libero IDE includes Synplify[®] Actel Edition (AE) from Synplicity[®], ViewDraw[®] AE from Mentor Graphics[®], ModelSim[®] HDL Simulator from Mentor Graphics, WaveFormer Lite[™] AE from SynaptiCAD[®], and Designer software from Microsemi.

Designer software is a place-and-route tool and provides a comprehensive suite of backend support tools for FPGA development. The Designer software includes the following:

- Timer – a world-class integrated static timing analyzer and constraints editor which support timing-driven place-and-route
- NetlistViewer – a design netlist schematic viewer
- ChipPlanner – a graphical floorplanner viewer and editor
- SmartPower – allows the designer to quickly estimate the power consumption of a design
- PinEditor – a graphical application for editing pin assignments and I/O attributes
- I/O Attribute Editor – displays all assigned and unassigned I/O macros and their attributes in a spreadsheet format

With the Designer software, a user can lock the design pins before layout while minimally impacting the results of place-and-route. Additionally, Microsemi's back-annotation flow is compatible with all the major simulators and the simulation results can be cross-probed with Silicon Explorer II, Microsemi's integrated verification and logic analysis tool. Another tool included in the Designer software is the SmartGen core generator, which easily creates popular and commonly used logic functions for implementation into your schematic or HDL design.

Designer software is compatible with the most popular FPGA design entry and verification tools from EDA vendors, such as Mentor Graphics, Synplicity, Synopsys, and Cadence Design Systems. The Designer software is available for both the Windows and UNIX operating systems.

Programming

Programming support is provided through Silicon Sculptor II, a single-site programmer driven via a PC-based GUI. In addition, BP Microsystems offers multi-site programmers that provide qualified support for Microsemi devices. Factory programming is available for high-volume production needs.

In-System Diagnostic and Debug Capabilities

The Axcelerator family of FPGAs includes internal probe circuitry, allowing the designer to dynamically observe and analyze any signal inside the FPGA without disturbing normal device operation ([Figure 1-9](#)).

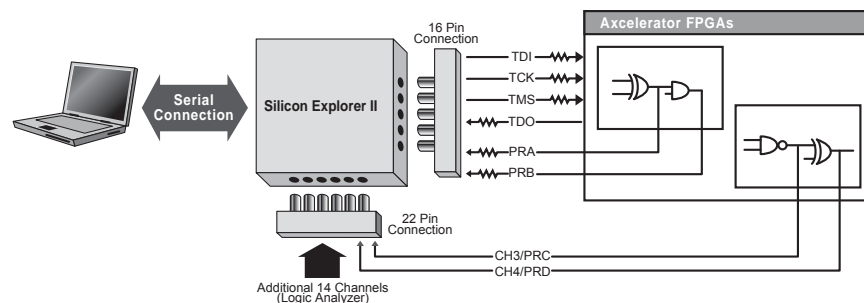


Figure 1-9 • Probe Setup

Up to four individual signals can be brought out to dedicated probe pins (PRA/B/C/D) on the device. The probe circuitry is accessed and controlled via Silicon Explorer II, Microsemi's integrated verification and logic analysis tool that attaches to the serial port of a PC and communicates with the FPGA via the JTAG port (See "Silicon Explorer II Probe Interface" on page 2-109).

Summary

Microsemi's Axcelerator family of FPGAs extends the successful SX-A architecture, adding embedded RAM/FIFOs, PLLs, and high-speed I/Os. With the support of a suite of robust software tools, design engineers can incorporate high gate counts and fixed pins into an Axcelerator design yet still achieve high performance and efficient device utilization.

Related Documents

Application Notes

Simultaneous Switching Noise and Signal Integrity

http://www.microsemi.com/soc/documents/SSN_AN.pdf

Axcelerator Family PLL and Clock Management

http://www.microsemi.com/soc/documents/AX_PLL_AN.pdf

Implementation of Security in Actel Antifuse FPGAs

http://www.microsemi.com/soc/documents/Antifuse_Security_AN.pdf

User's Guides and Manuals

Antifuse Macro Library Guide

http://www.microsemi.com/soc/documents/libguide_UG.pdf

SmartGen, FlashROM, Analog System Builder, and Flash Memory System Builder

http://www.microsemi.com/soc/documents/genguide_ug.pdf

Silicon Sculptor II User's Guide

http://www.microsemi.com/soc/documents/silisculptII_sculpt3_ug.pdf

White Paper

Design Security in Nonvolatile Flash and Antifuse FPGAs

http://www.microsemi.com/soc/documents/DesignSecurity_WP.pdf

Understanding Actel Antifuse Device Security

http://www.microsemi.com/soc/documents/DesignSecurity_WP.pdf

Miscellaneous

Libero IDE flow diagram

<http://www.microsemi.com/soc/products/tools/libero/flow.html>

2 – Detailed Specifications

Operating Conditions

Table 2-1 lists the absolute maximum ratings of Axcelerator devices. Stresses beyond the ratings may cause permanent damage to the device. Exposure to Absolute Maximum rated conditions for extended periods may affect device reliability. Devices should not be operated outside the recommendations in Table 2-2.

Table 2-1 • Absolute Maximum Ratings

| Symbol | Parameter | Limits | Units |
|--------|--------------------------------------|--------------|-------|
| VCCA | DC Core Supply Voltage | -0.3 to 1.7 | V |
| VCCI | DC I/O Supply Voltage | -0.3 to 3.75 | V |
| VREF | DC I/O Reference Voltage | -0.3 to 3.75 | V |
| VI | Input Voltage | -0.5 to 4.1 | V |
| VO | Output Voltage | -0.5 to 3.75 | V |
| TSTG | Storage Temperature | -60 to +150 | °C |
| VCCDA* | Supply Voltage for Differential I/Os | -0.3 to 3.75 | V |

Note: * Should be the maximum of all VCCI.

Table 2-2 • Recommended Operating Conditions

| Parameter Range | Commercial | Industrial | Military | Units |
|--|----------------|----------------|----------------|-------|
| Ambient Temperature (T_A) ¹ | 0 to +70 | -40 to +85 | -55 to +125 | °C |
| 1.5 V Core Supply Voltage | 1.425 to 1.575 | 1.425 to 1.575 | 1.425 to 1.575 | V |
| 1.5 V I/O Supply Voltage | 1.425 to 1.575 | 1.425 to 1.575 | 1.425 to 1.575 | V |
| 1.8 V I/O Supply Voltage | 1.71 to 1.89 | 1.71 to 1.89 | 1.71 to 1.89 | V |
| 2.5 V I/O Supply Voltage | 2.375 to 2.625 | 2.375 to 2.625 | 2.375 to 2.625 | V |
| 3.3 V I/O Supply Voltage | 3.0 to 3.6 | 3.0 to 3.6 | 3.0 to 3.6 | V |
| VCCDA Supply Voltage | 3.0 to 3.6 | 3.0 to 3.6 | 3.0 to 3.6 | V |
| VPUMP Supply Voltage | 3.0 to 3.6 | 3.0 to 3.6 | 3.0 to 3.6 | V |

Notes:

1. Ambient temperature (T_A) is used for commercial and industrial grades; case temperature (T_C) is used for military grades.
2. $T_J \text{ max} = 125^\circ\text{C}$

Power-Up/Down Sequence

All Axcelerator I/Os are tristated during power-up until normal device operating conditions are reached, when I/Os enter user mode. VCCDA should be powered up before (or coincidentally with) VCCA and VCCI to ensure the behavior of user I/Os at system start-up. Conversely, VCCDA should be powered down after (or coincidentally with) VCCA and VCCI. Note that VCCI and VCCA can be powered up in any sequence with respect to each other, provided the requirement with respect to VCCDA is satisfied.

Calculating Power Dissipation

Table 2-3 • Standby Current

| Device | Temperature | ICCA | ICCD A | ICCBANK | | ICCP LL | ICCCP ¹ | | IIH, IIL, IOZ ² | Units |
|--------|-----------------|------------------------|-----------------------------------|------------------------------|------------|-------------------------|------------------------------|---------------|----------------------------|-------|
| | | Standby Current (Core) | Standby Current, Differential I/O | Standby Current per I/O Bank | | Standby Current per PLL | Standby Current, Charge Pump | | | |
| | | | | 2.5 V VCCI | 3.3 V VCCI | | Active | Bypassed Mode | | |
| AX125 | Typical at 25°C | 1.5 | 1.5 | 0.2 | 0.3 | 0.2 | 0.3 | 0.01 | ±0.01 | mA |
| | 70°C | 15 | 6 | 0.5 | 0.75 | 1 | 0.4 | 0.01 | ±0.01 | mA |
| | 85°C | 25 | 6 | 0.6 | 0.8 | 1 | 0.4 | 0.2 | ±0.01 | mA |
| | 125°C | 50 | 8 | 1 | 1.5 | 2 | 0.4 | 0.5 | ±0.01 | mA |
| AX250 | Typical at 25°C | 1.5 | 1.4 | 0.25 | 0.4 | 0.2 | 0.3 | 0.01 | ±0.01 | mA |
| | 70°C | 30 | 7 | 0.8 | 0.9 | 1 | 0.4 | 0.01 | ±0.01 | mA |
| | 85°C | 40 | 7 | 0.8 | 1 | 1 | 0.4 | 0.2 | ±0.01 | mA |
| | 125°C | 70 | 9 | 1.3 | 1.8 | 2 | 0.4 | 0.5 | ±0.01 | mA |
| AX500 | Typical at 25°C | 5 | 1.4 | 0.4 | 0.75 | 0.2 | 0.3 | 0.01 | ±0.01 | mA |
| | 70°C | 60 | 7 | 1 | 1.5 | 1 | 0.4 | 0.01 | ±0.01 | mA |
| | 85°C | 80 | 7 | 1 | 1.9 | 1 | 0.4 | 0.2 | ±0.01 | mA |
| | 125°C | 180 | 9 | 1.75 | 2.5 | 1.5 | 0.4 | 0.5 | ±0.01 | mA |
| AX1000 | Typical at 25°C | 7.5 | 1.5 | 0.5 | 1.25 | 0.2 | 0.3 | 0.01 | ±0.01 | mA |
| | 70°C | 80 | 8 | 1.5 | 3 | 1 | 0.4 | 0.01 | ±0.01 | mA |
| | 85°C | 120 | 8 | 1.5 | 3.4 | 1 | 0.4 | 0.2 | ±0.01 | mA |
| | 125°C | 200 | 10 | 3 | 4 | 1.5 | 0.4 | 0.5 | ±0.01 | mA |
| AX2000 | Typical at 25°C | 20 | 1.6 | 0.7 | 1.5 | 0.2 | 0.3 | 0.01 | ±0.01 | mA |
| | 70°C | 160 | 10 | 2 | 7 | 1 | 0.4 | 0.01 | ±0.01 | mA |
| | 85°C | 200 | 10 | 3 | 8 | 1 | 0.4 | 0.2 | ±0.01 | mA |
| | 125°C | 500 | 15 | 4 | 10 | 1.5 | 0.4 | 0.5 | ±0.01 | mA |

Notes:

1. ICCCP Active is the ICCDA or the Internal Charge Pump current. ICCCP Bypassed mode is the External Charge Pump current IIH (VPUMP pin).
2. IIH, IIL, or IOZ values are measured with inputs at the same level as VCCI for IIH and GND for IIL and IOZ.

Table 2-4 • Default CLOAD/VCCI

| | C _{LOAD} (pF) | VCCI (V) | PLOAD (mw/MHz) | P10 (mw/MHz) | PI/O (mW/MHz)* |
|----------------------------------|------------------------|----------|----------------|--------------|----------------|
| Single-Ended without VREF | | | | | |
| LVTTTL 24 mA High Slew | 35 | 3.3 | 381.2 | 267.5 | 648.7 |
| LVTTTL 16 mA High Slew | 35 | 3.3 | 381.2 | 225.1 | 606.3 |
| LVTTTL 12 mA High Slew | 35 | 3.3 | 381.2 | 165.9 | 547.1 |
| LVTTTL 8 mA High Slew | 35 | 3.3 | 381.2 | 130.3 | 511.5 |
| LVTTTL 24 mA Low Slew | 35 | 3.3 | 381.2 | 169.2 | 550.4 |
| LVTTTL 16 mA Low Slew | 35 | 3.3 | 381.2 | 150.8 | 532.0 |
| LVTTTL 12 mA Low Slew | 35 | 3.3 | 381.2 | 138.6 | 519.8 |
| LVTTTL 8 mA Low Slew | 35 | 3.3 | 381.2 | 118.7 | 499.9 |
| LVC MOS – 25 | 35 | 2.5 | 218.8 | 148.0 | 366.8 |
| LVC MOS – 18 | 35 | 1.8 | 113.4 | 73.4 | 186.8 |
| LVC MOS – 15 (JESD8-11) | 35 | 1.5 | 78.8 | 49.5 | 128.3 |
| PCI | 10 | 3.3 | 108.9 | 218.5 | 327.4 |
| PCI-X | 10 | 3.3 | 108.9 | 162.9 | 271.8 |
| Single-Ended with VREF | | | | | |
| HSTL-I | 20 | 1.5 | – | 40.9 | 40.9 |
| SSTL2-I | 30 | 2.5 | – | 171.2 | 171.2 |
| SSTL2-II | 30 | 2.5 | – | 147.8 | 147.8 |
| SSTL3-I | 30 | 3.3 | – | 327.2 | 327.2 |
| SSTL3-II | 30 | 3.3 | – | 288.4 | 288.4 |
| GTLP – 25 | 10 | 2.5 | – | 61.5 | 61.5 |
| GTLP – 33 | 10 | 3.3 | – | 68.5 | 68.5 |
| Differential | | | | | |
| LVPECL – 33 | N/A | 3.3 | – | 260.6 | 260.6 |
| LVDS – 25 | N/A | 2.5 | – | 145.8 | 145.8 |

Note: $*P_{I/O} = P10 + C_{LOAD} * VCC_I^2$

Table 2-5 • Different Components Contributing to the Total Power Consumption in Accelerator Devices

| Component | Definition | Device Specific Value (in $\mu\text{W}/\text{MHz}$) | | | | |
|-----------|--|--|-------|-------|--------|--------|
| | | AX125 | AX250 | AX500 | AX1000 | AX2000 |
| P1 | Core tile HCLK power component | 33 | 49 | 71 | 130 | 216 |
| P2 | R-cell power component | 0.2 | 0.2 | 0.2 | 0.2 | 0.2 |
| P3 | HCLK signal power dissipation | 4.5 | 4.5 | 9 | 13.5 | 18 |
| P4 | Core tile RCLK power component | 33 | 49 | 71 | 130 | 216 |
| P5 | R-cell power component | 0.3 | 0.3 | 0.3 | 0.3 | 0.3 |
| P6 | RCLK signal power dissipation | 6.5 | 6.5 | 13 | 19.5 | 26 |
| P7 | Power dissipation due to the switching activity on the R-cell | 1.6 | 1.6 | 1.6 | 1.6 | 1.6 |
| P8 | Power dissipation due to the switching activity on the C-cell | 1.4 | 1.4 | 1.4 | 1.4 | 1.4 |
| P9 | Power component associated with the input voltage | 10 | 10 | 10 | 10 | 10 |
| P10 | Power component associated with the output voltage | See table Per pin contribution | | | | |
| P11 | Power component associated with the read operation in the RAM block | 25 | 25 | 25 | 25 | 25 |
| P12 | Power component associated with the write operation in the RAM block | 30 | 30 | 30 | 30 | 30 |
| P13 | Core PLL power component | 1.5 | 1.5 | 1.5 | 1.5 | 1.5 |

$$P_{total} = P_{dc} + P_{ac}$$

$$P_{dc} = ICCA * VCCA$$

$$P_{ac} = P_{HCLK} + P_{CLK} + P_{R-cells} + P_{C-cells} + P_{inputs} + P_{outputs} + P_{memory} + P_{PLL}$$

$$P_{HCLK} = (P1 + P2 * s + P3 * \sqrt{s}) * Fs$$

s = the number of R-cells clocked by this clock

Fs = the clock frequency

$$P_{CLK} = (P4 + P5 * s + P6 * \sqrt{s}) * Fs$$

s = the number of R-cells clocked by this clock

Fs = the clock frequency

$$P_{R-cells} = P7 * ms * Fs$$

ms = the number of R-cells switching at each Fs cycle

Fs = the clock frequency

$$P_{C-cells} = P8 * mc * Fs$$

mc = the number of C-cells switching at each Fs cycle

Fs = the clock frequency

$$P_{inputs} = P9 * pi * Fpi$$

pi = the number of inputs

F_{pi} = the average input frequency

$$P_{\text{outputs}} = P_{\text{I/O}} * p_o * F_{p_o}$$

C_{load} = the output load (technology dependent)
 V_{CCI} = the output voltage (technology dependent)
 p_o = the number of outputs
 F_{p_o} = the average output frequency

$$P_{\text{memory}} = P_{11} * N_{\text{block}} * FR_{\text{CLK}} + P_{12} * N_{\text{block}} * FW_{\text{CLK}}$$

N_{block} = the number of RAM/FIFO blocks (1 block = 4k)
 F_{RCLK} = the read-clock frequency of the memory
 F_{WCLK} = the write-clock frequency of the memory

$$P_{\text{PLL}} = P_{13} * F_{\text{CLK}}$$

F_{RefCLK} = the clock frequency of the clock input of the PLL
 F_{CLK} = the clock frequency of the first clock output of the PLL

Power Estimation Example

This example employs an AX1000 shift-register design with 1,080 R-cells, one C-cell, one reset input, and one LVTTTL 12 mA output, with high slew.

This design uses one HCLK at 100 MHz.

m_s = 1,080 (in a shift register - 100% of R-cells are toggling at each clock cycle)

F_s = 100 MHz

s = 1080

=> $P_{\text{HCLK}} = (P_1 + P_2 * s + P_3 * \text{sqrt}[s]) * F_s = 79 \text{ mW}$
 and $F_s = 100 \text{ MHz}$

=> $P_{\text{R-cells}} = P_7 * m_s * F_s = 173 \text{ mW}$

m_c = 1 (1 C-cell in this shift-register)
 and $F_s = 100 \text{ MHz}$

=> $P_{\text{C-cells}} = P_8 * m_c * F_s = 0.14 \text{ mW}$

$F_{p_i} \sim 0 \text{ MHz}$

and $p_i = 1$ (1 reset input => this is why $F_{p_i} = 0$)

=> $P_{\text{inputs}} = P_9 * p_i * F_{p_i} = 0 \text{ mW}$

$F_{p_o} = 50 \text{ MHz}$

and $p_o = 1$

=> $P_{\text{outputs}} = P_{\text{I/O}} * p_o * F_{p_o} = 27.10 \text{ mW}$

No RAM/FIFO in this shift-register

=> $P_{\text{memory}} = 0 \text{ mW}$

No PLL in this shift-register

=> $P_{\text{PLL}} = 0 \text{ mW}$

$P_{\text{ac}} = P_{\text{HCLK}} + P_{\text{CLK}} + P_{\text{R-cells}} + P_{\text{C-cells}} + P_{\text{inputs}} + P_{\text{outputs}} + P_{\text{memory}} + P_{\text{PLL}} = 276 \text{ mW}$

$P_{\text{dc}} = 7.5\text{mA} * 1.5\text{V} = 11.25 \text{ mW}$

$P_{\text{total}} = P_{\text{dc}} + P_{\text{ac}} = 11.25 \text{ mW} + 276\text{mW} = 290.30 \text{ mW}$

Thermal Characteristics

Introduction

The temperature variable in Microsemi's Designer software refers to the junction temperature, not the ambient temperature. This is an important distinction because dynamic and static power consumption cause the chip junction temperature to be higher than the ambient temperature. [EQ 1](#) can be used to calculate junction temperature.

$$T_J = \text{Junction Temperature} = \Delta T + T_a \quad \text{EQ 1}$$

Where:

T_a = Ambient Temperature

ΔT = Temperature gradient between junction (silicon) and ambient

$$\Delta T = \theta_{ja} * P \quad \text{EQ 2}$$

Where:

P = Power

θ_{ja} = Junction to ambient of package. θ_{ja} numbers are located under [Table 2-6 on page 2-7](#).

Package Thermal Characteristics

The device junction-to-case thermal characteristic is θ_{jc} , and the junction-to-ambient air characteristic is θ_{ja} . The thermal characteristics for θ_{ja} are shown with two different air flow rates. θ_{jc} values are provided for reference. The absolute maximum junction temperature is 125°C.

The maximum power dissipation allowed for commercial- and industrial-grade devices is a function of θ_{ja} . A sample calculation of the absolute maximum power dissipation allowed for an 896-pin FBGA package at commercial temperature and still air is as follows:

$$\text{Maximum Power Allowed} = \frac{\text{Max. junction temp. (}^\circ\text{C)} - \text{Max. ambient temp. (}^\circ\text{C)}}{\theta_{ja}(\text{}^\circ\text{C/W)}} = \frac{125^\circ\text{C} - 70^\circ\text{C}}{13.6^\circ\text{C/W}} = 4.04 \text{ W}$$

The maximum power dissipation allowed for Military temperature and Mil-Std 883B devices is specified as a function of θ_{jc} .

Table 2-6 • Package Thermal Characteristics

| Package Type | Pin Count | θ_{jc} | θ_{ja} Still Air | θ_{ja} 1.0m/s | θ_{ja} 2.5m/s | Units |
|---|-----------|---------------|-------------------------|----------------------|----------------------|-------|
| Chip Scale Package (CSP) | 180 | N/A | 57.8 | 51.0 | 50 | °C/W |
| Plastic Quad Flat Pack (PQFP) | 208 | 8.0 | 26 | 23.5 | 20.9 | °C/W |
| Plastic Ball Grid Array (PBGA) | 729 | 2.2 | 13.7 | 10.6 | 9.6 | °C/W |
| Fine Pitch Ball Grid Array (FBGA) | 256 | 3.0 | 26.6 | 22.8 | 21.5 | °C/W |
| Fine Pitch Ball Grid Array (FBGA) | 324 | 3.0 | 25.8 | 22.1 | 20.9 | °C/W |
| Fine Pitch Ball Grid Array (FBGA) | 484 | 3.2 | 20.5 | 17.0 | 15.9 | °C/W |
| Fine Pitch Ball Grid Array (FBGA) | 676 | 3.2 | 16.4 | 13.0 | 12.0 | °C/W |
| Fine Pitch Ball Grid Array (FBGA) | 896 | 2.4 | 13.6 | 10.4 | 9.4 | °C/W |
| Fine Pitch Ball Grid Array (FBGA) | 1152 | 1.8 | 12.0 | 8.9 | 7.9 | °C/W |
| Ceramic Quad Flat Pack (CQFP) ¹ | 208 | 2.0 | 22 | 19.8 | 18.0 | °C/W |
| Ceramic Quad Flat Pack (CQFP) ¹ | 352 | 2.0 | 17.9 | 16.1 | 14.7 | °C/W |
| Ceramic Column Grid Array (CCGA) ² | 624 | 6.5 | 8.9 | 8.5 | 8 | °C/W |

Notes:

- θ_{jc} for the 208-pin and 352-pin CQFP refers to the thermal resistance between the junction and the bottom of the package.
- θ_{jc} for the 624-pin CCGA refers to the thermal resistance between the junction and the top surface of the package. Thermal resistance from junction to board (θ_{jb}) for CCGA 624 package is 3.4°C/W.

Timing Characteristics

Axcelerator devices are manufactured in a CMOS process, therefore, device performance varies according to temperature, voltage, and process variations. Minimum timing parameters reflect maximum operating voltage, minimum operating temperature, and best-case processing. Maximum timing parameters reflect minimum operating voltage, maximum operating temperature, and worst-case processing. The derating factors shown in Table 2-7 should be applied to all timing data contained within this datasheet.

**Table 2-7 • Temperature and Voltage Timing Derating Factors
(Normalized to Worst-Case Commercial, $T_J = 70^\circ\text{C}$, $V_{CCA} = 1.425\text{V}$)**

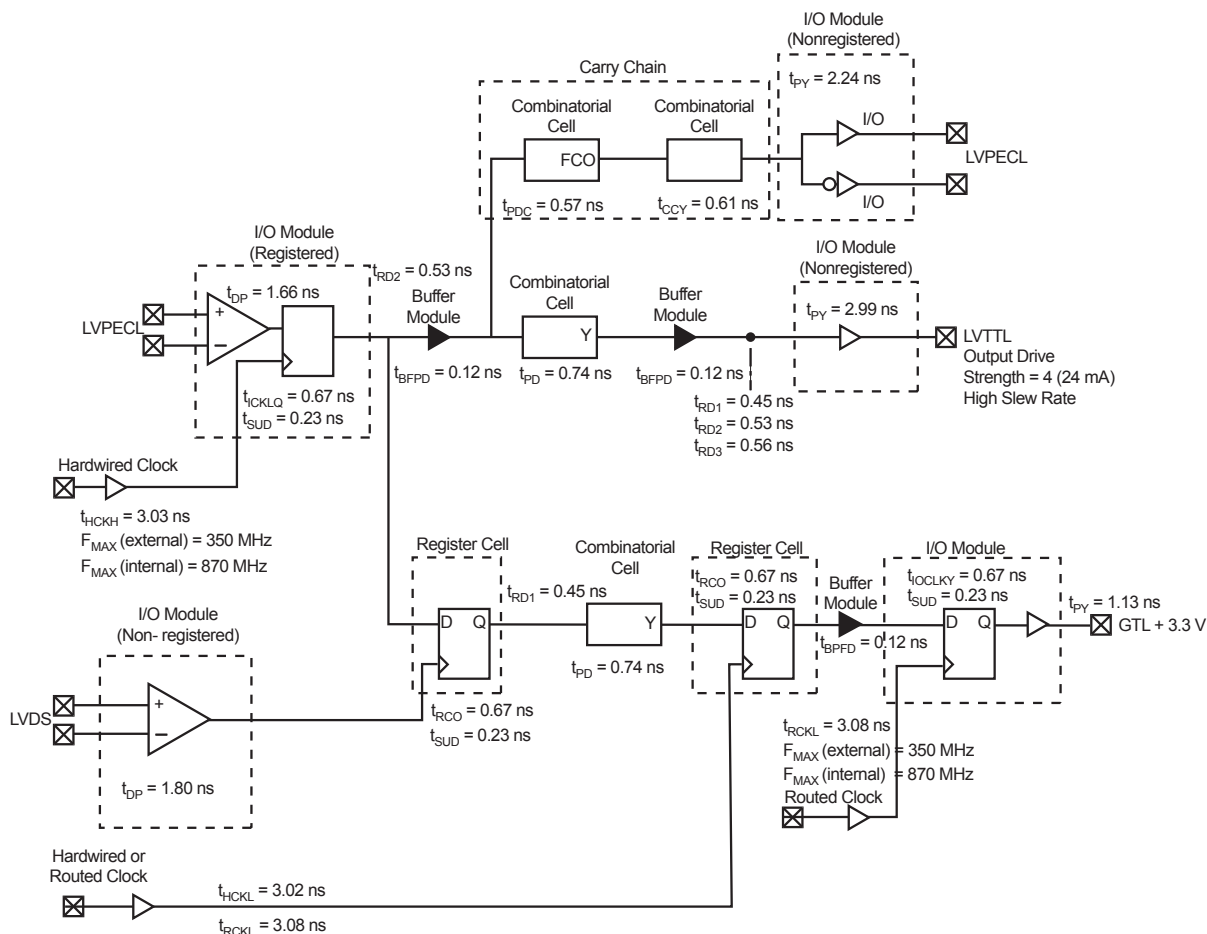
| VCCA | Junction Temperature | | | | | | |
|---------|----------------------|-------|------|------|------|------|-------|
| | -55°C | -40°C | 0°C | 25°C | 70°C | 85°C | 125°C |
| 1.4 V | 0.83 | 0.86 | 0.91 | 0.96 | 1.02 | 1.05 | 1.15 |
| 1.425 V | 0.82 | 0.84 | 0.90 | 0.94 | 1.00 | 1.04 | 1.13 |
| 1.5 V | 0.78 | 0.80 | 0.85 | 0.89 | 0.95 | 0.98 | 1.07 |
| 1.575 V | 0.74 | 0.76 | 0.81 | 0.85 | 0.90 | 0.94 | 1.02 |
| 1.6 V | 0.73 | 0.75 | 0.80 | 0.84 | 0.89 | 0.92 | 1.01 |

Notes:

- The user can set the junction temperature in Designer software to be any integer value in the range of -55°C to 175°C.
- The user can set the core voltage in Designer software to be any value between 1.4V and 1.6V.

All timing numbers listed in this datasheet represent sample timing characteristics of Axcelerator devices. Actual timing delay values are design-specific and can be derived from the Timer tool in Microsemi's Designer software after place-and-route.

Timing Model



Note: Worst case timing data for the AX1000, -2 speed grade

Figure 2-1 • Worst Case Timing Data

Hardwired Clock – Using LVTTTL 24 mA High Slew Clock I/O

External Setup

$$\begin{aligned}
 &= (t_{DP} + t_{RD2} + t_{SUD}) - t_{HCKL} \\
 &= (1.72 + 0.53 + 0.23) - 3.02 = -0.54 \text{ ns}
 \end{aligned}$$

Clock-to-Out (Pad-to-Pad)

$$\begin{aligned}
 &= t_{HCKL} + t_{RCO} + t_{RD1} + t_{PY} \\
 &= 3.02 + 0.67 + 0.45 + 2.99 = 7.13 \text{ ns}
 \end{aligned}$$

Routed Clock – Using LVTTTL 24 mA High Slew Clock I/O

External Setup

$$\begin{aligned}
 &= (t_{DP} + t_{RD2} + t_{SUD}) - t_{RCKH} \\
 &= (1.72 + 0.53 + 0.23) - 3.13 = -0.65 \text{ ns}
 \end{aligned}$$

Clock-to-Out (Pad-to-Pad)

$$\begin{aligned}
 &= t_{RCKH} + t_{RCO} + t_{RD1} + t_{PY} \\
 &= 3.13 + 0.67 + 0.45 + 3.03 = 7.24 \text{ ns}
 \end{aligned}$$

I/O Specifications

Pin Descriptions

Supply Pins

GND **Ground**

Low supply voltage.

VCCA **Supply Voltage**

Supply voltage for array (1.5V). See ["Operating Conditions" on page 2-1](#) for more information.

VCCIBx **Supply Voltage**

Supply voltage for I/Os. Bx is the I/O Bank ID – 0 to 7. See ["Operating Conditions" on page 2-1](#) for more information.

VCCDA **Supply Voltage**

Supply voltage for the I/O differential amplifier and JTAG and probe interfaces. See ["Operating Conditions" on page 2-1](#) for more information. VCCDA should be tied to 3.3V.

VCCPLA/B/C/D/E/F/G/H **Supply Voltage**

PLL analog power supply (1.5V) for internal PLL. There are eight in each device. VCCPLA supports the PLL associated with global resource HCLKA, VCCPLB supports the PLL associated with global resource HCLKB, etc. The PLL analog power supply pins should be connected to 1.5V whether PLL is used or not.

VCOMPLA/B/C/D/E/F/G/H **Supply Voltage**

Compensation reference signals for internal PLL. There are eight in each device. VCOMPLA supports the PLL associated with global resource HCLKA, VCOMPLE supports the PLL associated with global resource CLKE, etc. (see [Figure 2-2 on page 2-9](#) for correct external connection to the supply). The VCOMPLX pins should be left floating if PLL is not used.

VPUMP **Supply Voltage (External Pump)**

In the low power mode, VPUMP will be used to access an external charge pump (if the user desires to bypass the internal charge pump to further reduce power). The device starts using the external charge pump when the voltage level on VPUMP reaches V_{IH}^1 . In normal device operation, when using the internal charge pump, VPUMP should be tied to GND.

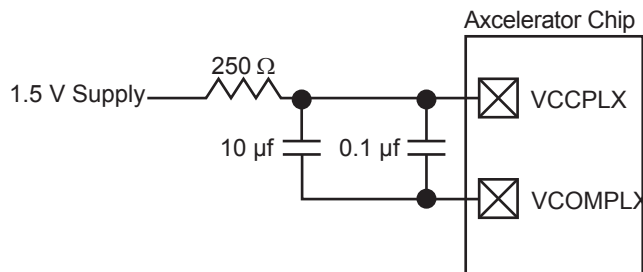


Figure 2-2 • VCCPLX and VCOMPLX Power Supply Connect

1. When $V_{PUMP} = V_{IH}$, it shuts off the internal charge pump. See ["Low Power Mode" on page 2-106](#).

User-Defined Supply Pins

VREF Supply Voltage

Reference voltage for I/O banks. VREF pins are configured by the user from regular I/O pins; VREF pins are not in fixed locations. There can be one or more VREF pins in an I/O bank.

Global Pins

HCLKA/B/C/D Dedicated (Hardwired) Clocks A, B, C and D

These pins are the clock inputs for sequential modules or north PLLs. Input levels are compatible with all supported I/O standards. There is a P/N pin pair for support of differential I/O standards. Single-ended clock I/Os can only be assigned to the P side of a paired I/O. This input is directly wired to each R-cell and offers clock speeds independent of the number of R-cells being driven. When the HCLK pins are unused, it is recommended that they are tied to ground.

CLK E/F/G/H Routed Clocks E, F, G, and H

These pins are clock inputs for clock distribution networks or south PLLs. Input levels are compatible with all supported I/O standards. There is a P/N pin pair for support of differential I/O standards. Single-ended clock I/Os can only be assigned to the P side of a paired I/O. The clock input is buffered prior to clocking the R-cells. When the CLK pins are unused, Microsemi recommends that they are tied to ground.

JTAG/Probe Pins

PRA/B/C/D Probe A, B, C and D

The Probe pins are used to output data from any user-defined design node within the device (controlled with Silicon Explorer II). These independent diagnostic pins can be used to allow real-time diagnostic output of any signal path within the device. The pins' probe capabilities can be permanently disabled to protect programmed design confidentiality. The probe pins are of LVTTTL output levels.

TCK Test Clock

Test clock input for JTAG boundary-scan testing and diagnostic probe (Silicon Explorer II).

TDI Test Data Input

Serial input for JTAG boundary-scan testing and diagnostic probe. TDI is equipped with an internal 10 k Ω pull-up resistor.

TDO Test Data Output

Serial output for JTAG boundary-scan testing.

TMS Test Mode Select

The TMS pin controls the use of the IEEE 1149.1 boundary-scan pins (TCK, TDI, TDO, TRST). TMS is equipped with an internal 10 k Ω pull-up resistor.

TRST Boundary Scan Reset Pin

The TRST pin functions as an active-low input to asynchronously initialize or reset the boundary scan circuit. The TRST pin is equipped with a 10 k Ω pull-up resistor.

Special Functions

LP Low Power Pin

The LP pin controls the low power mode of Axcelerator devices. The device is placed in the low power mode by connecting the LP pin to logic high. To exit the low power mode, the LP pin must be set Low. Additionally, the LP pin must be set Low during chip powering-up or chip powering-down operations. See "[Low Power Mode](#)" on page 2-106 for more details.

NC No Connection

This pin is not connected to circuitry within the device. These pins can be driven to any voltage or can be left floating with no effect on the operation of the device.

User I/Os²

Introduction

The Axcelerator family features a flexible I/O structure, supporting a range of mixed voltages (1.5 V, 1.8 V, 2.5 V, and 3.3 V) with its bank-selectable I/Os. [Table 2-8 on page 2-12](#) contains the I/O standards supported by the Axcelerator family, and [Table 2-10 on page 2-12](#) compares the features of the different I/O standards.

Each I/O provides programmable slew rates, drive strengths, and weak pull-up and weak pull-down circuits. The slew rate setting is effective for both rising and falling edges.

I/O standards, except 3.3 V PCI and 3.3 V PCI-X, are capable of hot insertion. 3.3 V PCI and 3.3 V PCI-X are 5 V tolerant with the aid of an external resistor.

The input buffer has an optional user-configurable delay element. The element can reduce or eliminate the hold time requirement for input signals registered within the I/O cell. The value for the delay is set on a bank-wide basis. Note that the delay WILL be a function of process variations as well as temperature and voltage changes.

Each I/O includes three registers: an input (InReg), an output (OutReg), and an enable register (EnReg). I/Os are organized into banks, and there are eight banks per device—two per side ([Figure 2-6 on page 2-18](#)). Each I/O bank has a common VCCI, the supply voltage for its I/Os.

For voltage-referenced I/Os, each bank also has a common reference-voltage bus, VREF. While VREF must have a common voltage for an entire I/O bank, its location is user-selectable. In other words, any user I/O in the bank can be selected to be a VREF.

The location of the VREF pin should be selected according to the following rules:

- Any pin that is assigned as a VREF can control a maximum of eight user I/O pad locations in each direction (16 total maximum) within the same I/O bank.
- I/O pad locations listed as no connects are counted as part of the 16 maximum. In many cases, this leads to fewer than eight user I/O package pins in each direction being controlled by a VREF pin.
- Dedicated I/O pins such as GND and VCCI are counted as part of the 16.
- The two user I/O pads immediately adjacent on each side of the VREF pin (four in total) may only be used as inputs. The exception is when there is a VCCI/GND pair separating the VREF pin and the user I/O pad location.
- The user does not need to assign VREF pins for OUTBUF and TRIBUF. VREF pins are needed only for input and bidirectional I/Os.

The differential amplifier supply voltage VCCDA should be connected to 3.3 V.

A user can gain access to the various I/O standards in three ways:

- Instantiate specific library macros that represent the desired specific standard.
- Use generic I/O macros and then use Designer's PinEditor to specify the desired I/O standards (please note that this is not applicable to differential standards).
- A combination of the first two methods.

Refer to the [I/O Features in Axcelerator Family Devices](#) application note and the [Antifuse Macro Library Guide](#) for more details.

2. Do not use an external resistor to pull the I/O above V_{CCI} for a higher logic "1" voltage level. The desired higher logic "1" voltage level will be degraded due to a small I/O current, which exists when the I/O is pulled up above V_{CCI} .

Table 2-8 • I/O Standards Supported by the Accelerator Family

| I/O Standard | Input/Output Supply Voltage (VCCI) | Input Reference Voltage (VREF) | Board Termination Voltage (VTT) |
|--------------------------|------------------------------------|--------------------------------|---------------------------------|
| LVTTTL | 3.3 | N/A | N/A |
| LVC MOS 2.5 V | 2.5 | N/A | N/A |
| LVC MOS 1.8 V | 1.8 | N/A | N/A |
| LVC MOS 1.5 V (JDEC8-11) | 1.5 | N/A | N/A |
| 3.3V PCI/PCI-X | 3.3 | N/A | N/A |
| GTL+ 3.3 V | 3.3 | 1.0 | 1.2 |
| GTL+ 2.5 V* | 2.5 | 1.0 | 1.2 |
| HSTL Class 1 | 1.5 | 0.75 | 0.75 |
| SSTL3 Class 1 and II | 3.3 | 1.5 | 1.5 |
| SSTL2 Class1 and II | 2.5 | 1.25 | 1.25 |
| LVDS | 2.5 | N/A | N/A |
| LVPECL | 3.3 | N/A | N/A |

Note: *2.5 V GTL+ is not supported across the full military temperature range.

Table 2-9 • Supply Voltages

| VCCA | VCCI | Input Tolerance | Output Drive Level |
|-------|-------|-----------------|--------------------|
| 1.5 V | 1.5 V | 3.3 V | 1.5 V |
| 1.5 V | 1.8 V | 3.3 V | 1.8 V |
| 1.5 V | 2.5 V | 3.3 V | 2.5 V |
| 1.5 V | 3.3 V | 3.3 V | 3.3 V |

Table 2-10 • I/O Features Comparison

| I/O Assignment | Clamp Diode | Hot Insertion | 5 V Tolerance | Input Buffer | Output Buffer |
|-----------------------------------|-------------|---------------|---------------------|------------------|-----------------------|
| LVTTTL | No | Yes | Yes ¹ | Enabled/Disabled | |
| 3.3 V PCI, 3.3 V PCI-X | Yes | No | Yes ^{1, 2} | Enabled/Disabled | |
| LVC MOS 2.5 V | No | Yes | No | Enabled/Disabled | |
| LVC MOS 1.8 V | No | Yes | No | Enabled/Disabled | |
| LVC MOS 1.5 V (JESD8-11) | No | Yes | No | Enabled/Disabled | |
| Voltage-Referenced Input Buffer | No | Yes | No | Enabled/Disabled | |
| Differential, LVDS/LVPECL, Input | No | Yes | No | Enabled | Disabled ³ |
| Differential, LVDS/LVPECL, Output | No | Yes | No | Disabled | Enabled ⁴ |

Notes:

1. Can be implemented with an IDT bus switch.
2. Can be implemented with an external resistor.
3. The OE input of the output buffer must be deasserted permanently (handled by software).
4. The OE input of the output buffer must be asserted permanently (handled by software).

5 V Tolerance

There are two schemes to achieve 5 V tolerance:

1. 3.3 V PCI and 3.3 V PCI-X are the only I/O standards that directly allow 5 V tolerance. To implement this, an internal clamp diode between the input pad and the VCCI pad is enabled so that the voltage at the input pin is clamped, as shown in EQ 3:

$$V_{\text{input}} = V_{\text{CCI}} + V_{\text{diode}} = 3.3 \text{ V} + 0.7 \text{ V} = 4.0 \text{ V}$$

EQ 3

The internal VCCI clamp diode is only enabled while the device is powered on, so the voltage at the input will not be clamped if the VCCI or VCCA are powered off. An external series resistor ($\sim 100 \Omega$) is required between the input pin and the 5 V signal source to limit the current to less than 20 mA (Figure 2-3). The 100 Ω resistor was chosen to meet the input Tr/Tf requirement (Table 2-19 on page 2-21). The GND clamp diode is available for all I/O standards and always enabled.

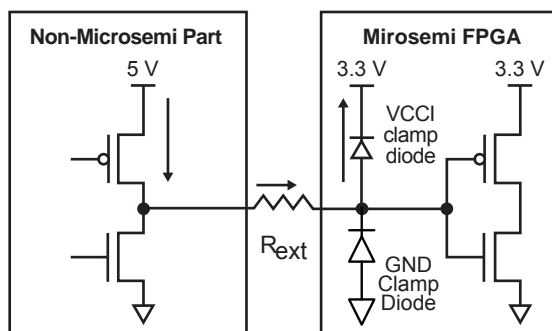


Figure 2-3 • Use of an External Resistor for 5 V Tolerance

2. 5 V tolerance can also be achieved with 3.3 V I/O standards (3.3 V PCI, 3.3 V PCI-X, and LVTTTL) using a bus-switch product (e.g. IDTQS32X2384). This will convert the 5 V signal to a 3.3 V signal with minimum delay (Figure 2-4).

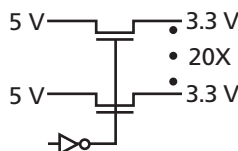


Figure 2-4 • Bus Switch IDTQS32X2384

Simultaneous Switching Outputs (SSO)

When multiple output drivers switch simultaneously, they induce a voltage drop in the chip/package power distribution. This simultaneous switching momentarily raises the ground voltage within the device relative to the system ground. This apparent shift in the ground potential to a non-zero value is known as simultaneous switching noise (SSN) or more commonly, ground bounce.

SSN becomes more of an issue in high pin count packages and when using high performance devices such as the Axcelerator family. Based upon testing, Microsemi recommends that users not exceed eight simultaneous switching outputs (SSO) per each VCCI/GND pair. To ease this potential burden on designers, Microsemi has designed all of the Axcelerator BGAs³ to not exceed this limit with the exception of the CS180, which has an I/O to VCCI/GND pair ratio of nine to one.

Please refer to the [Simultaneous Switching Noise and Signal Integrity](#) application note for more information.

3. The user should note that in Bank 8 of both AX1000-FG484 and AX500-FG484, there are local violations of this 8:1 ratio.

I/O Banks and Compatibility

Since each I/O bank has its own user-assigned input reference voltage (VREF) and an input/output supply voltage (VCCI), only I/Os with compatible standards can be assigned to the same bank.

Table 2-11 shows the compatible I/O standards for a common VREF (for voltage-referenced standards). Similarly, Table 2-12 shows compatible standards for a common VCCI.

Table 2-11 • Compatible I/O Standards for Different VREF Values

| VREF | Compatible Standards |
|--------|------------------------------|
| 1.5 V | SSTL 3 (Class I and II) |
| 1.25 V | SSTL 2 (Class I and II) |
| 1.0 V | GTL+ (2.5V and 3.3V Outputs) |
| 0.75 V | HSTL (Class I) |

Table 2-12 • Compatible I/O Standards for Different VCCI Values

| VCCI ¹ | Compatible Standards | VREF |
|-------------------|---|------|
| 3.3 V | LVTTL, PCI, PCI-X, LVPECL, GTL+ 3.3 V | 1.0 |
| 3.3 V | SSTL 3 (Class I and II), LVTTL, PCI, LVPECL | 1.5 |
| 2.5 V | LVC MOS 2.5 V, GTL+ 2.5 V, LVDS ² | 1.0 |
| 2.5 V | LVC MOS 2.5 V, SSTL 2 (Classes I and II), LVDS ² | 1.25 |
| 1.8 V | LVC MOS 1.8 V | N/A |
| 1.5 V | LVC MOS 1.5 V, HSTL Class I | 0.75 |

Notes:

1. VCCI is used for both inputs and outputs
2. VCCI tolerance is $\pm 5\%$

Table 2-13 summarizes the different combinations of voltages and I/O standards that can be used together in the same I/O bank.

Table 2-13 • Legal I/O Usage Matrix

| I/O Standard | LVTTTL 3.3 V | LVC MOS 2.5 V | LVC MOS 1.8 V | LVC MOS 1.5 V (JESD8-11) | 3.3V PCI/PCI-X | GTL + (3.3 V) | GTL + (2.5 V) | HSTL Class I (1.5V) | SSTL2 Class I & II (2.5 V) | SSTL3 Class I & II (3.3 V) | LVDS (2.5 V) | LVPECL (3.3 V) |
|--|--------------|---------------|---------------|--------------------------|----------------|---------------|---------------|---------------------|----------------------------|----------------------------|--------------|----------------|
| LVTTTL 3.3 V (VREF=1.0 V) | ✓ | - | - | - | ✓ | ✓ | - | - | - | - | - | ✓ |
| LVTTTL 3.3 V (VREF=1.5 V) | ✓ | - | - | - | ✓ | - | - | - | - | ✓ | - | ✓ |
| LVC MOS 2.5 V (VREF=1.0 V) | - | ✓ | - | - | - | - | ✓ | - | - | - | ✓ | - |
| LVC MOS 2.5 V (VREF=1.25V) | - | ✓ | - | - | - | - | - | - | ✓ | - | ✓ | - |
| LVC MOS 1.8 V | - | - | ✓ | - | - | - | - | - | - | - | - | - |
| LVC MOS 1.5 V (VREF = 1.75 V) (JESD8-11) | - | - | - | ✓ | - | - | - | ✓ | - | - | - | - |
| 3.3 V PCI/PCI-X (VREF = 1.0 V) | ✓ | - | - | - | ✓ | ✓ | - | - | - | - | - | ✓ |
| 3.3 V PCI/PCI-X (VREF= 1.5 V) | ✓ | - | - | - | ✓ | - | - | - | - | ✓ | - | ✓ |
| GTL + (3.3 V) | ✓ | - | - | - | ✓ | ✓ | - | - | - | - | - | ✓ |
| GTL + (2.5 V) | - | ✓ | - | - | - | - | ✓ | - | - | - | - | - |
| HSTL Class I | - | - | - | ✓ | - | - | - | ✓ | - | - | - | - |
| SSTL2 Class I & II | - | ✓ | - | - | - | - | - | - | ✓ | - | ✓ | - |
| SSTL3 Class I & II | ✓ | - | - | - | ✓ | - | - | - | - | ✓ | - | ✓ |
| LVDS (VREF = 1.0 V) | - | ✓ | - | - | - | - | ✓ | - | - | - | ✓ | - |
| LVDS (VREF = 1.25 V) | - | ✓ | - | - | - | - | - | - | ✓ | - | ✓ | - |
| LVPECL (VREF = 1.0 V) | ✓ | - | - | - | ✓ | ✓ | - | - | - | - | - | ✓ |
| LVPECL (VREF = 1.5 V) | ✓ | - | - | - | ✓ | - | - | - | - | ✓ | - | ✓ |

Notes:

1. Note that GTL+ 2.5 V is not supported across the full military temperature range.
2. A "✓" indicates whether standards can be used within a bank at the same time.

Examples:

- a) LVTTTL can be used with 3.3V PCI and GTL+ (3.3V), when $V_{REF} = 1.0V$ (GTL+ requirement).
- b) LVTTTL can be used with 3.3V PCI and SSTL3 Class I and II, when $V_{REF} = 1.5V$ (SSTL3 requirement).

Note that two I/O standards are compatible if:

- Their VCCI values are identical.
- Their VREF standards are identical (if applicable).

For example, if LVTTTL 3.3 V (VREF= 1.0 V) is used, then the other available (i.e. compatible) I/O standards in the same bank are LVTTTL 3.3 V PCI/PCI-X, GTL+, and LVPECL.

Also note that when multiple I/O standards are used within a bank, the voltage tolerance will be limited to the minimum tolerance of all I/O standards used in the bank.

I/O Clusters

Each I/O cluster incorporates two I/O modules, four RX modules, two TX modules, and a buffer module. In turn, each I/O module contains one Input Register (InReg), one Output Register (OutReg), and one Enable Register (EnReg) (Figure 2-5).

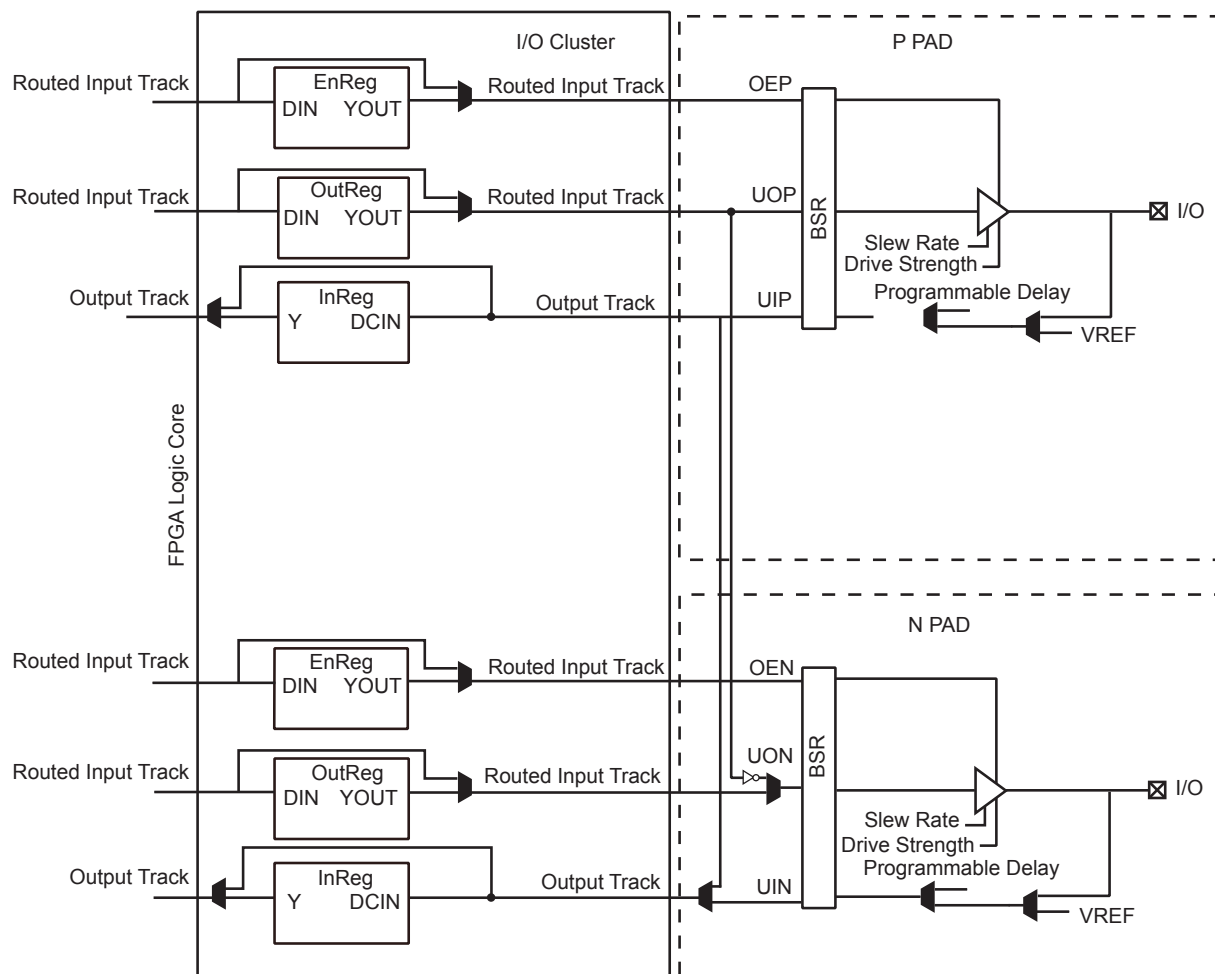


Figure 2-5 • I/O Cluster Interface

Using an I/O Register

To access the I/O registers, registers must be instantiated in the netlist and then connected to the I/Os. Usage of each I/O register (register combining) is individually controlled and can be selected/deselected using the PinEditor tool in the Designer software. I/O register combining can also be controlled at the device level, affecting all I/Os. Please note, the I/O register option is deselected by default in any given design.⁴

In addition, Designer software provides a global option to enable/disable the usage of registers in the I/Os. This option is design-specific. The setting for each individual I/O overrides this global option. Furthermore, the *global set fuse* option in the Designer software, when checked, causes all I/O registers to output logic High at device power-up.

4. Please note that register combining for multi fanout nets is not supported.

Using the Weak Pull-Up and Pull-Down Circuits

Each Axcelerator I/O comes with a weak pull-up/down circuit (on the order of 10 kΩ). These are weak transistors with the gates tied on, so the on resistance of the transistor emulates a resistor. The weak pull-up and pull-down is active only when the device is powered up, and they must be biased to be on. When the rails are coming up, they are not biased fully, so they do not behave as resistors until the voltage is at sufficient levels to bias the transistors. The key is they really are transistors; they are not traces of poly silicon, which is another way to do an on-chip resistor (those take much more room). I/O macros are provided for combinations of pull up/down for LVTTTL, LVCMOS (2.5 V, 1.8 V, and 1.5 V) standards. These macros can be instantiated if a keeper circuit for any input buffer is required.

Customizing the I/O

- A five-bit programmable input delay element is associated with each I/O. The value of this delay is set on a bank-wide basis (Table 2-14). It is optional for each input buffer within the bank (i.e. the user can enable or disable the delay element for the I/O). When the input buffer drives a register within the I/O, the delay element is activated by default to ensure a zero hold-time. The default setting for this property can be set in Designer. When the input buffer does not drive a register, the delay element is deactivated to provide higher performance. Again, this can be overridden by changing the default setting for this property in Designer.
- The slew-rate value for the LVTTTL output buffer can be programmed and can be set to either slow or fast.
- The drive strength value for LVTTTL output buffers can be programmed as well. There are four different drive strength values – 8 mA, 12 mA, 16 mA, or 24 mA – that can be specified in Designer.⁵

Table 2-14 • Bank-Wide Delay Values

| Bits Setting | Delay (ns) | Bits Setting | Delay (ns) |
|--------------|------------|--------------|------------|
| 0 | 0.54 | 16 | 2.01 |
| 1 | 0.65 | 17 | 2.13 |
| 2 | 0.71 | 18 | 2.19 |
| 3 | 0.83 | 19 | 2.3 |
| 4 | 0.9 | 20 | 2.38 |
| 5 | 1.01 | 21 | 2.49 |
| 6 | 1.08 | 22 | 2.55 |
| 7 | 1.19 | 23 | 2.67 |
| 8 | 1.27 | 24 | 2.75 |
| 9 | 1.39 | 25 | 2.87 |
| 10 | 1.45 | 26 | 2.93 |
| 11 | 1.56 | 27 | 3.04 |
| 12 | 1.64 | 28 | 3.12 |
| 13 | 1.75 | 29 | 3.23 |
| 14 | 1.81 | 30 | 3.29 |
| 15 | 1.93 | 31 | 3.41 |

Note: Delay values are approximate and will vary with process, temperature, and voltage.

5. These values are minimum drive strengths.

Using the Differential I/O Standards

Differential I/O macros should be instantiated in the netlist. The settings for these I/O standards cannot be changed inside Designer. Note that there are no tristated or bidirectional I/O buffers for differential standards.

Using the Voltage-Referenced I/O Standards

Using these I/O standards is similar to that of single-ended I/O standards. Their settings can be changed in Designer.

Using DDR (Double Data Rate)

In Double Data Rate mode, new data is present on every transition of the clock signal. Clock and data lines have identical bandwidth and signal integrity requirements, making it very efficient for implementing very high-speed systems.

To implement a DDR, users need to:

1. Instantiate an input buffer (with the required I/O standard)
2. Instantiate the DDR_REG macro (Figure 2-6)
3. Connect the output from the Input buffer to the input of the DDR macro

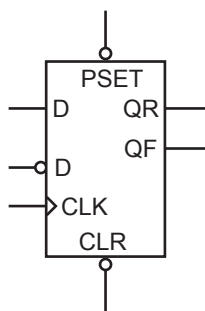


Figure 2-6 • DDR Register

Macros for Specific I/O Standards

There are different macro types for any I/O standard or feature that determine the required VCCI and VREF voltages for an I/O. The generic buffer macros require the LVTTTL standard with slow slew rate and 24 mA-drive strength. LVTTTL can support high slew rate but this should only be used for critical signals.

Most of the macro symbols represent variations of the six generic symbol types:

- CLKBUF: Clock Buffer
- HCLKBUF: Hardwired Clock Buffer
- INBUF: Input Buffer
- OUTBUF: Output Buffer
- TRIBUF: Tristate Buffer
- BIBUF: Bidirectional Buffer

Other macros include the following:

- Differential I/O standard macros: The LVDS and LVPECL macros either have a pair of differential inputs (e.g. INBUF_LVDS) or a pair of differential outputs (e.g. OUTBUF_LVPECL).
- Pull-up and pull-down variations of the INBUF, BIBUF, and TRIBUF macros. These are available only with TTL and LVCMOS thresholds. They can be used to model the behavior of the pull-up and pull-down resistors available in the architecture. Whenever an input pin is left unconnected, the output pin will either go high or low rather than unknown. This allows users to leave inputs unconnected without having the negative effect on simulation of propagating unknowns.
- DDR_REG macro. It can be connected to any I/O standard input buffers (i.e. INBUF) to implement a double data rate register. Designer software will map it to the I/O module in the same way it maps the other registers to the I/O module.

Table 2-15, Table 2-16, and Table 2-17 list all the available macro names differentiated by I/O standard, type, slew rate, and drive strength.

Table 2-15 • Macros for Single-Ended I/O Standards

| Standard | VCCI | Macro Names |
|---------------------|-------|--|
| LVTTTL | 3.3 V | CLKBUF, HCLKBUF INBUF, OUTBUF, OUTBUF_S_8, OUTBUF_S_12, OUTBUF_S_16, OUTBUF_S_24, OUTBUF_H_8, OUTBUF_H_12, OUTBUF_H_16, OUTBUF_H_24, TRIBUF, TRIBUF_S_8, TRIBUF_S_12, TRIBUF_S_16, TRIBUF_S_24, TRIBUF_H_8, TRIBUF_H_12, TRIBUF_H_16, TRIBUF_H_24, BIBUF, BIBUF_S_8, BIBUF_S_12, BIBUF_S_16, BIBUF_S_24, BIBUF_H_8, BIBUF_H_12, BIBUF_H_16, BIBUF_H_24 |
| 3.3 V PCI | 3.3 V | CLKBUF_PCI, HCLKBUF_PCI, INBUF_PCI, OUTBUF_PCI, TRIBUF_PCI, BIBUF_PCI |
| 3.3 V PCI-X | 3.3 V | CLKBUF_PCI-X, HCLKBUF_PCI-X, INBUF_PCI-X, OUTBUF_PCI-X, TRIBUF_PCI-X, BIBUF_PCI-X |
| LVCNOS25 | 2.5 V | CLKBUF_LVCNOS25, HCLKBUF_LVCNOS25, INBUF_LVCNOS25, OUTBUF_LVCNOS25, TRIBUF_LVCNOS25, BIBUF_LVCNOS25 |
| LVCNOS18 | 1.8 V | CLKBUF_LVCNOS18, HCLKBUF_LVCNOS18, INBUF_LVCNOS18, OUTBUF_LVCNOS18, TRIBUF_LVCNOS18, BIBUF_LVCNOS18 |
| LVCNOS15 (JESD8-11) | 1.5 V | CLKBUF_LVCNOS15, HCLKBUF_LVCNOS15, INBUF_LVCNOS15, OUTBUF_LVCNOS15, TRIBUF_LVCNOS15, BIBUF_LVCNOS15 |

Table 2-16 • I/O Macros for Differential I/O Standards

| Standard | VCCI | Macro Names |
|----------|-------|--|
| LVPECL | 3.3 V | CLKBUF_LVPECL, HCLKBUF_LVPECL, INBUF_LVPECL, OUTBUF_LVPECL |
| LVDS | 2.5 V | CLKBUF_LVDS, HCLKBUF_LVDS, INBUF_LVDS, OUTBUF_LVDS |

Table 2-17 • I/O Macros for Voltage-Referenced I/O Standards

| Standard | VCCI | VREF | Macro Names |
|----------------|-------|--------|---|
| GTL+ | 3.3 V | 1.0 V | CLKBUF_GTP33, HCLKBUF_GTP33, INBUF_GTP33, OUTBUF_GTP33, TRIBUF_GTP33, BIBUF_GTP33 |
| GTL+ | 2.5 V | 1.0 V | CLKBUF_GTP25, HCLKBUF_GTP25, INBUF_GTP25, OUTBUF_GTP25, TRIBUF_GTP25, BIBUF_GTP25 |
| SSTL2 Class I | 2.5 V | 1.25 V | CLKBUF_SSTL2_I, HCLKBUF_SSTL2_I, INBUF_SSTL2_I, OUTBUF_SSTL2_I, TRIBUF_SSTL2_I, BIBUF_SSTL2_I |
| SSTL2 Class II | 2.5 V | 1.25 V | CLKBUF_SSTL2_II, HCLKBUF_SSTL2_II, INBUF_SSTL2_II, OUTBUF_SSTL2_II, TRIBUF_SSTL2_II, BIBUF_SSTL2_II |
| SSTL3 Class I | 3.3 V | 1.5 V | CLKBUF_SSTL3_I, HCLKBUF_SSTL3_I, INBUF_SSTL3_I, OUTBUF_SSTL3_I, TRIBUF_SSTL3_I, BIBUF_SSTL3_I |
| SSTL3 Class II | 3.3 V | 1.5 V | CLKBUF_SSTL3_II, HCLKBUF_SSTL3_II, INBUF_SSTL3_II, OUTBUF_SSTL3_II, TRIBUF_SSTL3_II, BIBUF_SSTL3_II |
| HSTL Class I | 1.5 V | 0.75 V | CLKBUF_HSTL_I, HCLKBUF_HSTL_I, INBUF_HSTL_I, OUTBUF_HSTL_I, TRIBUF_HSTL_I, BIBUF_HSTL_I |

User I/O Naming Conventions

Due to the complex and flexible nature of the Axcelerator family's user I/Os, a naming scheme is used to show the details of the I/O. The naming scheme explains to which bank an I/O belongs, as well as the pairing and pin polarity for differential I/Os (Figure 2-7).

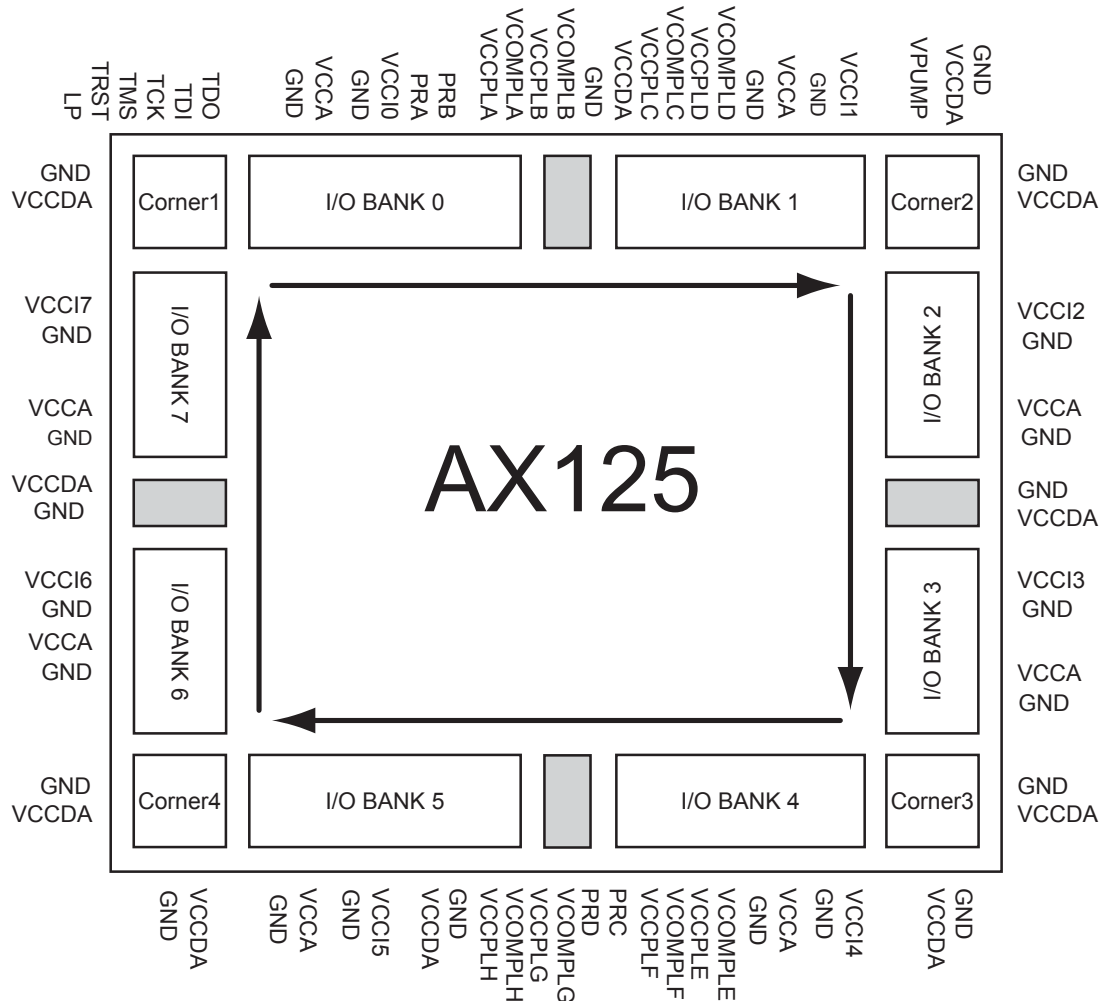
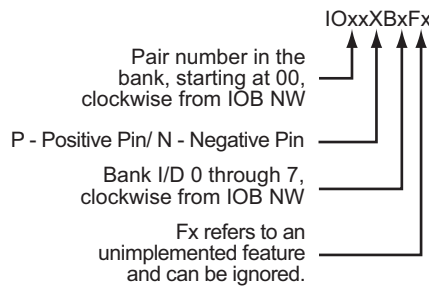


Figure 2-7 • I/O Bank and Dedicated Pin Layout



Examples:

IO12PB1F1 is the positive pin of the thirteenth pair of the first I/O bank (IOB NE). IO12PB1 combined with IO12NB1 form a differential pair.

For those I/Os that can be employed either as a user I/O or as a special function, the following nomenclature is used:

IOxxXBxFx/special_function_name

IOxxPB1Fx/xCLKx this pin can be configured as a clock input or as a user I/O.

Figure 2-8 • General Naming Schemes

I/O Standard Electrical Specifications

Table 2-18 • Input Capacitance

| Symbol | Parameter | Conditions | Min. | Max. | Units |
|-------------|--|-----------------------------------|------|------|-------|
| C_{IN} | Input Capacitance | $V_{IN} = 0, f = 1.0 \text{ MHz}$ | | 10 | pF |
| C_{INCLK} | Input Capacitance on HCLK and RCLK Pin | $V_{IN} = 0, f = 1.0 \text{ MHz}$ | | 10 | pF |

Table 2-19 • I/O Input Rise Time and Fall Time*

| Input Buffer | Input Rise/Fall Time (min.) | Input Rise/Fall Time (max.) |
|--------------|-----------------------------|-----------------------------|
| LVTTTL | No Requirement | 50 ns |
| LVCMOS 2.5V | No Requirement | 50 ns |
| LVCMOS 1.8V | No Requirement | 50 ns |
| LVCMOS 1.5V | No Requirement | 50 ns |
| PCI | No Requirement | 50 ns |
| PCIX | No Requirement | 50 ns |
| GTL+ | No Requirement | 50 ns |
| HSTL | No Requirement | 50 ns |
| SSTL2 | No Requirement | 50 ns |
| HSTL3 | No Requirement | 50 ns |
| LVDS | No Requirement | 50 ns |
| LVPECL | No Requirement | 50 ns |

*Note: *Input Rise/Fall time applies to all inputs, be it clock or data. Inputs have to ramp up/down linearly, in a monotonic way. Glitches or a plateau may cause double clocking. They must be avoided. For output rise/fall time, refer to the IBIS models for extraction.*

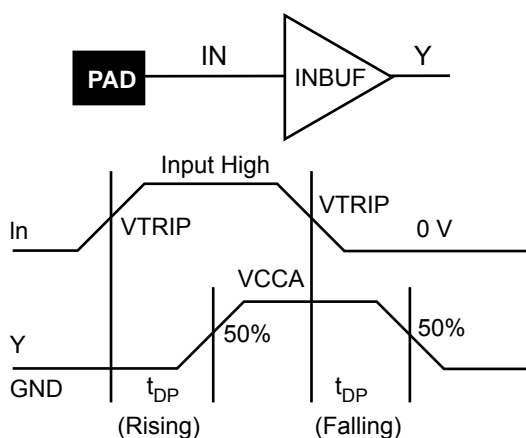


Figure 2-9 • Input Buffer Delays

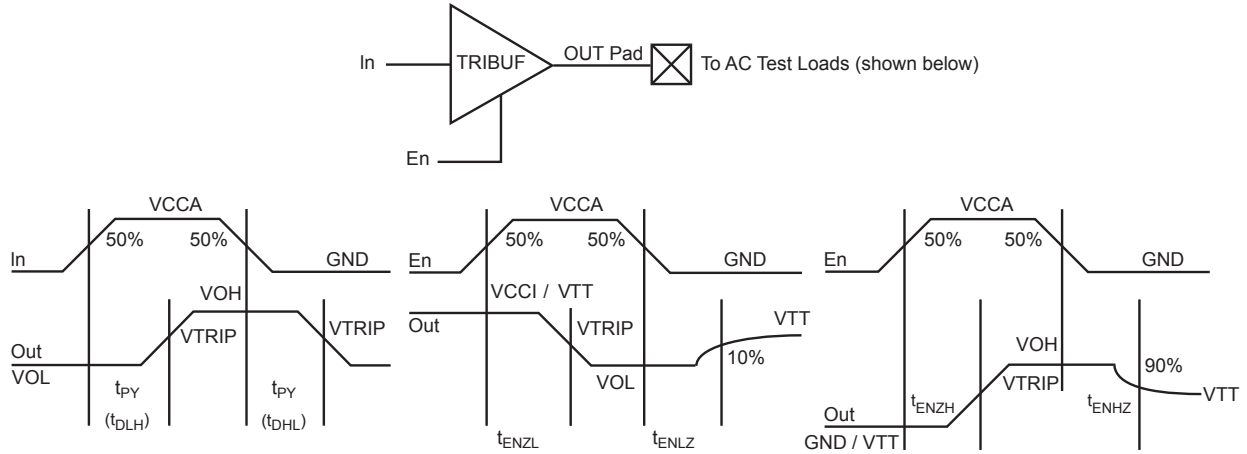


Figure 2-10 • Output Buffer Delays

I/O Module Timing Characteristics

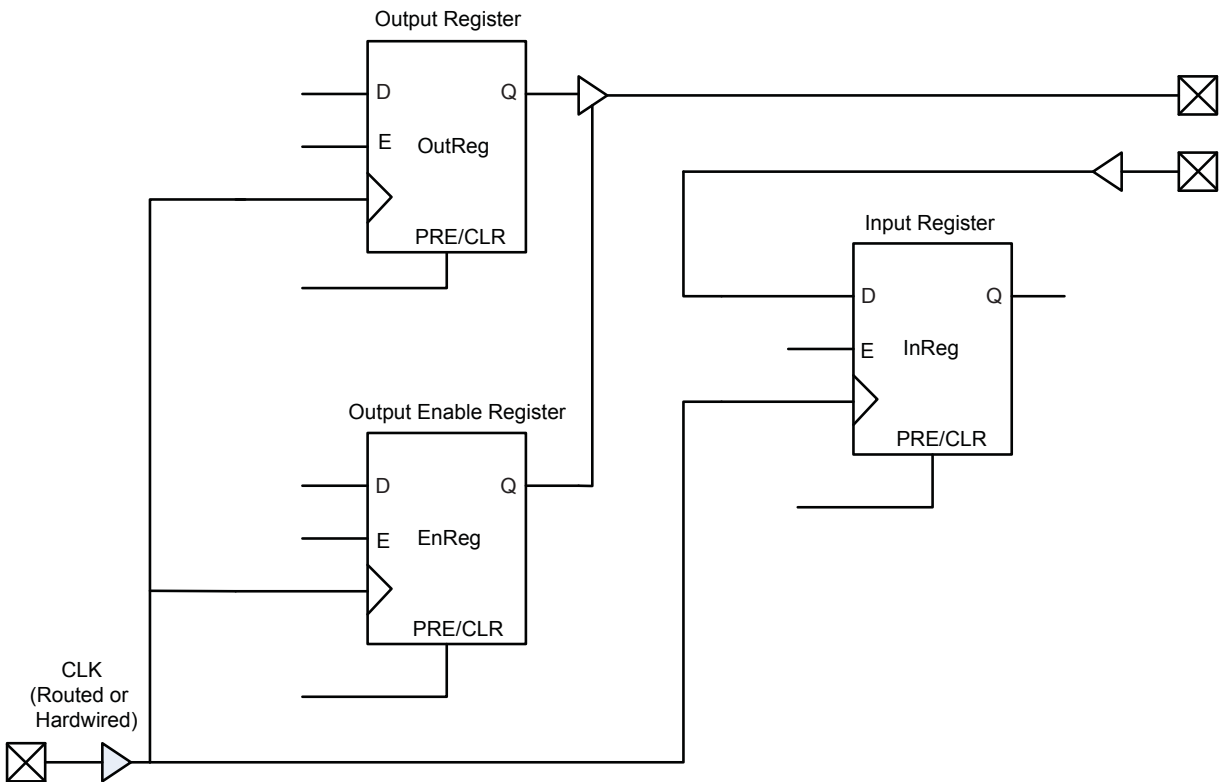


Figure 2-11 • Timing Model

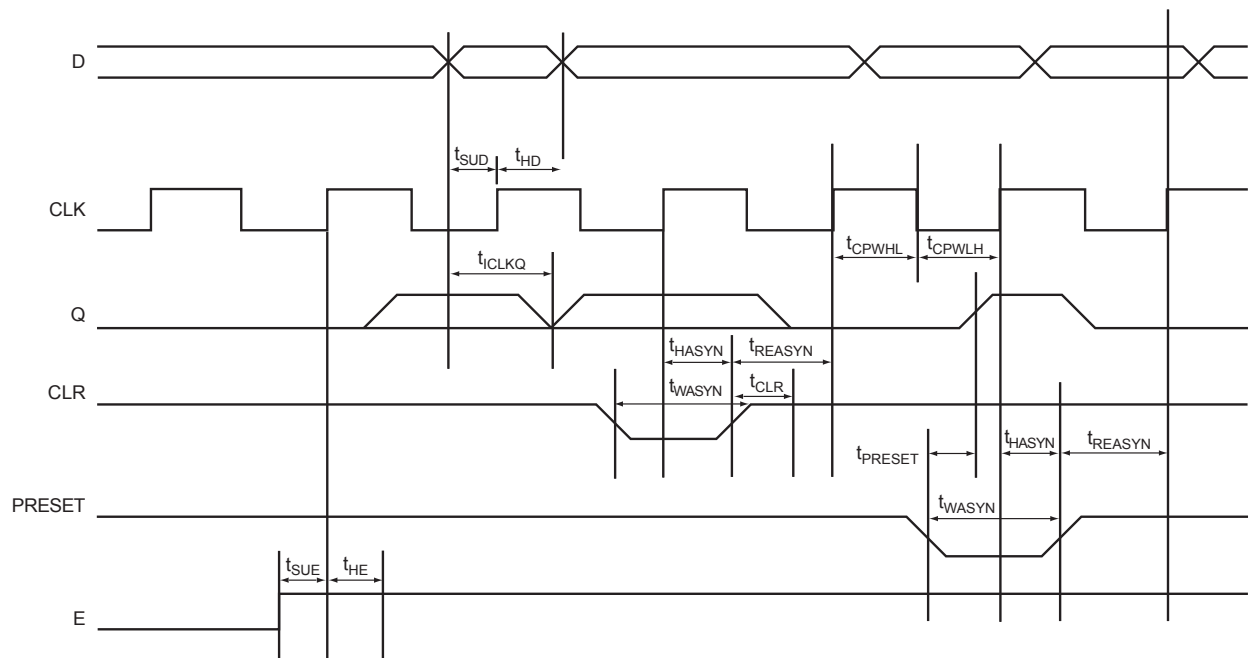


Figure 2-12 • Input Register Timing Characteristics

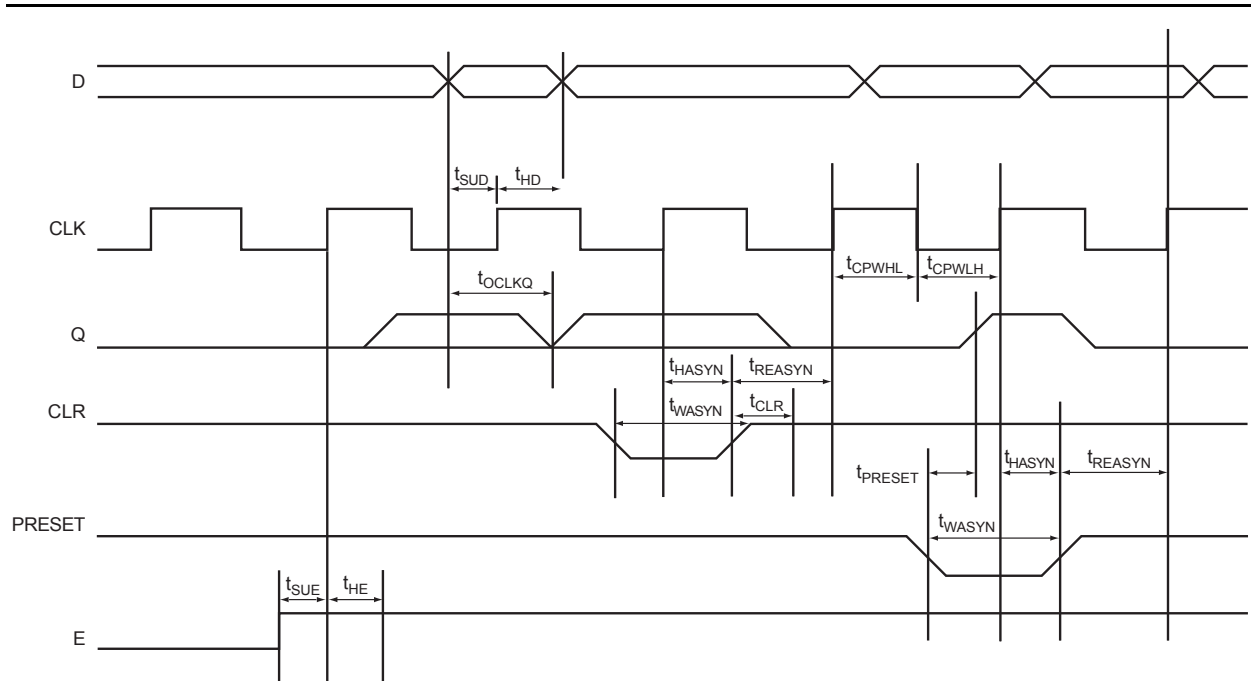


Figure 2-13 • Output Register Timing Characteristics

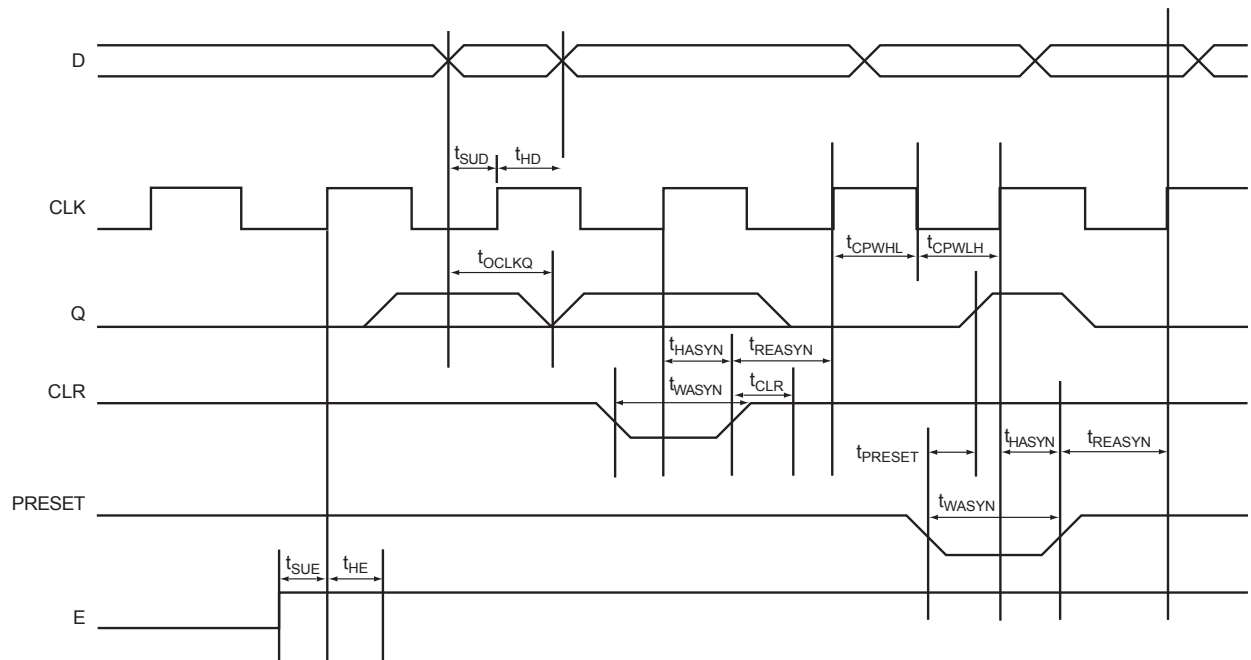


Figure 2-14 • Output Enable Register Timing Characteristics

3.3 V LVTTTL

Low-Voltage Transistor-Transistor Logic is a general purpose standard (EIA/JESD) for 3.3 V applications. It uses an LVTTTL input buffer and push-pull output buffer.

Table 2-20 • DC Input and Output Levels

| VIL | | VIH | | VOL | VOH | IOL | IOH |
|---------|---------|---------|---------|---------|---------|-----|-----|
| Min., V | Max., V | Min., V | Max., V | Max., V | Min., V | mA | mA |
| -0.3 | 0.8 | 2.0 | 3.6 | 0.4 | 2.4 | 24 | -24 |

AC Loadings

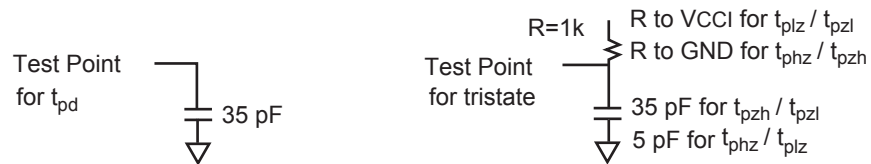


Figure 2-15 • AC Test Loads

Table 2-21 • AC Waveforms, Measuring Points, and Capacitive Load

| Input Low (V) | Input High (V) | Measuring Point* (V) | VREF (typ) (V) | C _{load} (pF) |
|---------------|----------------|----------------------|----------------|------------------------|
| 0 | 3.0 | 1.40 | N/A | 35 |

Note: * Measuring Point = VTRIP

Timing Characteristics

Table 2-22 • 3.3 V LVTTTL I/O Module

 Worst-Case Commercial Conditions VCCA = 1.425 V, VCCI = 3.0 V, T_J = 70°C

| Parameter | Description | -2 Speed | | -1 Speed | | Std Speed | | Units |
|--|---|----------|-------|----------|-------|-----------|-------|-------|
| | | Min. | Max. | Min. | Max. | Min. | Max. | |
| LVTTTL Output Drive Strength = 1 (8 mA) / Low Slew Rate | | | | | | | | |
| t _{DP} | Input Buffer | | 1.68 | | 1.92 | | 2.26 | ns |
| t _{PV} | Output Buffer | | 14.28 | | 16.27 | | 19.13 | ns |
| t _{ENZL} | Enable to Pad Delay through the Output Buffer—Z to Low | | 15.25 | | 17.37 | | 20.42 | ns |
| t _{ENZH} | Enable to Pad Delay through the Output Buffer—Z to High | | 14.26 | | 16.24 | | 19.09 | ns |
| t _{ENLZ} | Enable to Pad Delay through the Output Buffer—Low to Z | | 1.56 | | 1.57 | | 1.58 | ns |
| t _{ENHZ} | Enable to Pad Delay through the Output Buffer—High to Z | | 1.95 | | 1.96 | | 1.97 | ns |
| t _{IOCLKQ} | Sequential Clock-to-Q for the I/O Input Register | | 0.67 | | 0.77 | | 0.90 | ns |
| t _{IOCLKY} | Clock-to-output Y for the I/O Output Register and the I/O Enable Register | | 0.67 | | 0.77 | | 0.90 | ns |
| t _{SUD} | Data Input Set-Up | | 0.23 | | 0.27 | | 0.31 | ns |
| t _{SUE} | Enable Input Set-Up | | 0.26 | | 0.30 | | 0.35 | ns |
| t _{HD} | Data Input Hold | | 0.00 | | 0.00 | | 0.00 | ns |
| t _{HE} | Enable Input Hold | | 0.00 | | 0.00 | | 0.00 | ns |
| t _{CPWHL} | Clock Pulse Width High to Low | 0.39 | | 0.39 | | 0.39 | | ns |
| t _{CPWLH} | Clock Pulse Width Low to High | 0.39 | | 0.39 | | 0.39 | | ns |
| t _{WASYN} | Asynchronous Pulse Width | 0.37 | | 0.37 | | 0.37 | | ns |
| t _{REASYN} | Asynchronous Recovery Time | | 0.13 | | 0.15 | | 0.17 | ns |
| t _{HASYN} | Asynchronous Removal Time | | 0.00 | | 0.00 | | 0.00 | ns |
| t _{CLR} | Asynchronous Clear-to-Q | | 0.23 | | 0.27 | | 0.31 | ns |
| t _{PRESET} | Asynchronous Preset-to-Q | | 0.23 | | 0.27 | | 0.31 | ns |

Table 2-22 • 3.3 V LVTTTL I/O Module
Worst-Case Commercial Conditions VCCA = 1.425 V, VCCI = 3.0 V, T_J = 70°C (continued)

| Parameter | Description | -2 Speed | | -1 Speed | | Std Speed | | Units |
|---|---|----------|-------|----------|-------|-----------|-------|-------|
| | | Min. | Max. | Min. | Max. | Min. | Max. | |
| LVTTTL Output Drive Strength = 2 (12 mA) / Low Slew Rate | | | | | | | | |
| t _{DP} | Input Buffer | | 1.68 | | 1.92 | | 2.26 | ns |
| t _{PY} | Output Buffer | | 12.14 | | 13.83 | | 16.26 | ns |
| t _{ENZL} | Enable to Pad Delay through the Output Buffer—Z to Low | | 12.43 | | 14.16 | | 16.65 | ns |
| t _{ENZH} | Enable to Pad Delay through the Output Buffer—Z to High | | 12.17 | | 13.86 | | 16.30 | ns |
| t _{ENLZ} | Enable to Pad Delay through the Output Buffer—Low to Z | | 1.73 | | 1.74 | | 1.75 | ns |
| t _{ENHZ} | Enable to Pad Delay through the Output Buffer—High to Z | | 2.22 | | 2.23 | | 2.24 | ns |
| t _{IOCLKQ} | Sequential Clock-to-Q for the I/O Input Register | | 0.67 | | 0.77 | | 0.90 | ns |
| t _{IOCLKY} | Clock-to-output Y for the I/O Output Register and the I/O Enable Register | | 0.67 | | 0.77 | | 0.90 | ns |
| t _{SUD} | Data Input Set-Up | | 0.23 | | 0.27 | | 0.31 | ns |
| t _{SUE} | Enable Input Set-Up | | 0.26 | | 0.30 | | 0.35 | ns |
| t _{HD} | Data Input Hold | | 0.00 | | 0.00 | | 0.00 | ns |
| t _{HE} | Enable Input Hold | | 0.00 | | 0.00 | | 0.00 | ns |
| t _{CPWHL} | Clock Pulse Width High to Low | 0.39 | | 0.39 | | 0.38 | | ns |
| t _{CPWLH} | Clock Pulse Width Low to High | 0.39 | | 0.39 | | 0.39 | | ns |
| t _{WASYN} | Asynchronous Pulse Width | 0.37 | | 0.37 | | 0.37 | | ns |
| t _{REASYN} | Asynchronous Recovery Time | | 0.13 | | 0.15 | | 0.17 | ns |
| t _{HASYN} | Asynchronous Removal Time | | 0.00 | | 0.00 | | 0.00 | ns |
| t _{CLR} | Asynchronous Clear-to-Q | | 0.23 | | 0.27 | | 0.31 | ns |
| t _{PRESET} | Asynchronous Preset-to-Q | | 0.23 | | 0.27 | | 0.31 | ns |

Table 2-22 • 3.3 V LVTTTL I/O Module
Worst-Case Commercial Conditions VCCA = 1.425 V, VCCI = 3.0 V, T_J = 70°C (continued)

| Parameter | Description | -2 Speed | | -1 Speed | | Std Speed | | Units |
|--|---|----------|-------|----------|-------|-----------|-------|-------|
| | | Min. | Max. | Min. | Max. | Min. | Max. | |
| LVTTTL Output Drive Strength =3 (16 mA) / Low Slew Rate | | | | | | | | |
| t _{DP} | Input Buffer | | 1.68 | | 1.92 | | 2.26 | ns |
| t _{PY} | Output Buffer | | 11.03 | | 12.56 | | 14.77 | ns |
| t _{ENZL} | Enable to Pad Delay through the Output Buffer—Z to Low | | 11.42 | | 13.01 | | 15.29 | ns |
| t _{ENZH} | Enable to Pad Delay through the Output Buffer—Z to High | | 11.04 | | 12.58 | | 14.79 | ns |
| t _{ENLZ} | Enable to Pad Delay through the Output Buffer—Low to Z | | 1.86 | | 1.88 | | 1.88 | ns |
| t _{ENHZ} | Enable to Pad Delay through the Output Buffer—High to Z | | 2.50 | | 2.51 | | 2.52 | ns |
| t _{IOCLKQ} | Sequential Clock-to-Q for the I/O Input Register | | 0.67 | | 0.77 | | 0.90 | ns |
| t _{IOCLKY} | Clock-to-output Y for the I/O Output Register and the I/O Enable Register | | 0.67 | | 0.77 | | 0.90 | ns |
| t _{SUD} | Data Input Set-Up | | 0.23 | | 0.27 | | 0.31 | ns |
| t _{SUE} | Enable Input Set-Up | | 0.26 | | 0.30 | | 0.35 | ns |
| t _{HD} | Data Input Hold | | 0.00 | | 0.00 | | 0.00 | ns |
| t _{HE} | Enable Input Hold | | 0.00 | | 0.00 | | 0.00 | ns |
| t _{CPWHL} | Clock Pulse Width High to Low | 0.39 | | 0.39 | | 0.39 | | ns |
| t _{CPWLH} | Clock Pulse Width Low to High | 0.39 | | 0.39 | | 0.39 | | ns |
| t _{WASYN} | Asynchronous Pulse Width | 0.37 | | 0.37 | | 0.37 | | ns |
| t _{REASYN} | Asynchronous Recovery Time | | 0.13 | | 0.15 | | 0.17 | ns |
| t _{HASYN} | Asynchronous Removal Time | | 0.00 | | 0.00 | | 0.00 | ns |
| t _{CLR} | Asynchronous Clear-to-Q | | 0.23 | | 0.27 | | 0.31 | ns |
| t _{PRESET} | Asynchronous Preset-to-Q | | 0.23 | | 0.27 | | 0.31 | ns |

Table 2-22 • 3.3 V LVTTTL I/O Module
Worst-Case Commercial Conditions VCCA = 1.425 V, VCCI = 3.0 V, T_J = 70°C (continued)

| Parameter | Description | -2 Speed | | -1 Speed | | Std Speed | | Units |
|---|---|----------|-------|----------|-------|-----------|-------|-------|
| | | Min. | Max. | Min. | Max. | Min. | Max. | |
| LVTTTL Output Drive Strength = 4 (24 mA) / Low Slew Rate | | | | | | | | |
| t _{DP} | Input Buffer | | 1.68 | | 1.92 | | 2.26 | ns |
| t _{PY} | Output Buffer | | 10.45 | | 11.90 | | 13.99 | ns |
| t _{ENZL} | Enable to Pad Delay through the Output Buffer—Z to Low | | 10.61 | | 12.08 | | 14.21 | ns |
| t _{ENZH} | Enable to Pad Delay through the Output Buffer—Z to High | | 10.47 | | 11.93 | | 14.02 | ns |
| t _{ENLZ} | Enable to Pad Delay through the Output Buffer—Low to Z | | 1.92 | | 1.94 | | 1.94 | ns |
| t _{ENHZ} | Enable to Pad Delay through the Output Buffer—High to Z | | 2.57 | | 2.58 | | 2.59 | ns |
| t _{IOCLKQ} | Sequential Clock-to-Q for the I/O Input Register | | 0.67 | | 0.77 | | 0.90 | ns |
| t _{IOCLKY} | Clock-to-output Y for the I/O Output Register and the I/O Enable Register | | 0.67 | | 0.77 | | 0.90 | ns |
| t _{SUD} | Data Input Set-Up | | 0.23 | | 0.27 | | 0.31 | ns |
| t _{SUE} | Enable Input Set-Up | | 0.26 | | 0.30 | | 0.35 | ns |
| t _{HD} | Data Input Hold | | 0.00 | | 0.00 | | 0.00 | ns |
| t _{HE} | Enable Input Hold | | 0.00 | | 0.00 | | 0.00 | ns |
| t _{CPWHL} | Clock Pulse Width High to Low | 0.39 | | 0.39 | | 0.39 | | ns |
| t _{CPWLH} | Clock Pulse Width Low to High | 0.39 | | 0.39 | | 0.39 | | ns |
| t _{WASYN} | Asynchronous Pulse Width | 0.37 | | 0.37 | | 0.37 | | ns |
| t _{REASYN} | Asynchronous Recovery Time | | 0.13 | | 0.15 | | 0.17 | ns |
| t _{HASYN} | Asynchronous Removal Time | | 0.00 | | 0.00 | | 0.00 | ns |
| t _{CLR} | Asynchronous Clear-to-Q | | 0.23 | | 0.27 | | 0.31 | ns |
| t _{PRESET} | Asynchronous Preset-to-Q | | 0.23 | | 0.27 | | 0.31 | ns |

Table 2-22 • 3.3 V LVTTTL I/O Module
Worst-Case Commercial Conditions VCCA = 1.425 V, VCCI = 3.0 V, T_J = 70°C (continued)

| Parameter | Description | -2 Speed | | -1 Speed | | Std Speed | | Units |
|---|---|----------|------|----------|------|-----------|------|-------|
| | | Min. | Max. | Min. | Max. | Min. | Max. | |
| LVTTTL Output Drive Strength = 1 (8 mA) / High Slew Rate | | | | | | | | |
| t _{DP} | Input Buffer | | 1.68 | | 1.92 | | 2.26 | ns |
| t _{PY} | Output Buffer | | 4.23 | | 4.81 | | 5.66 | ns |
| t _{ENZL} | Enable to Pad Delay through the Output Buffer—Z to Low | | 4.64 | | 5.28 | | 6.21 | ns |
| t _{ENZH} | Enable to Pad Delay through the Output Buffer—Z to High | | 4.23 | | 4.81 | | 5.66 | ns |
| t _{ENLZ} | Enable to Pad Delay through the Output Buffer—Low to Z | | 1.89 | | 1.91 | | 1.91 | ns |
| t _{ENHZ} | Enable to Pad Delay through the Output Buffer—High to Z | | 2.01 | | 2.02 | | 2.03 | ns |
| t _{IOCLKQ} | Sequential Clock-to-Q for the I/O Input Register | | 0.67 | | 0.77 | | 0.90 | ns |
| t _{IOCLKY} | Clock-to-output Y for the I/O Output Register and the I/O Enable Register | | 0.67 | | 0.77 | | 0.90 | ns |
| t _{SUD} | Data Input Set-Up | | 0.23 | | 0.27 | | 0.31 | ns |
| t _{SUE} | Enable Input Set-Up | | 0.26 | | 0.30 | | 0.35 | ns |
| t _{HD} | Data Input Hold | | 0.00 | | 0.00 | | 0.00 | ns |
| t _{HE} | Enable Input Hold | | 0.00 | | 0.00 | | 0.00 | ns |
| t _{CPWHL} | Clock Pulse Width High to Low | 0.39 | | 0.39 | | 0.39 | | ns |
| t _{CPWLH} | Clock Pulse Width Low to High | 0.39 | | 0.39 | | 0.39 | | ns |
| t _{WASYN} | Asynchronous Pulse Width | 0.37 | | 0.37 | | 0.37 | | ns |
| t _{REASYN} | Asynchronous Recovery Time | | 0.13 | | 0.15 | | 0.17 | ns |
| t _{HASYN} | Asynchronous Removal Time | | 0.00 | | 0.00 | | 0.00 | ns |
| t _{CLR} | Asynchronous Clear-to-Q | | 0.23 | | 0.27 | | 0.31 | ns |
| t _{PRESET} | Asynchronous Preset-to-Q | | 0.23 | | 0.27 | | 0.31 | ns |

Table 2-22 • 3.3 V LVTTTL I/O Module
Worst-Case Commercial Conditions VCCA = 1.425 V, VCCI = 3.0 V, T_J = 70°C (continued)

| Parameter | Description | -2 Speed | | -1 Speed | | Std Speed | | Units |
|--|---|----------|------|----------|------|-----------|------|-------|
| | | Min. | Max. | Min. | Max. | Min. | Max. | |
| LVTTTL Output Drive Strength = 2 (12 mA) / High Slew Rate | | | | | | | | |
| t _{DP} | Input Buffer | | 1.68 | | 1.92 | | 2.26 | ns |
| t _{PY} | Output Buffer | | 3.30 | | 3.76 | | 4.42 | ns |
| t _{ENZL} | Enable to Pad Delay through the Output Buffer—Z to Low | | 3.74 | | 4.26 | | 5.00 | ns |
| t _{ENZH} | Enable to Pad Delay through the Output Buffer—Z to High | | 3.06 | | 3.49 | | 4.10 | ns |
| t _{ENLZ} | Enable to Pad Delay through the Output Buffer—Low to Z | | 1.89 | | 1.91 | | 1.91 | ns |
| t _{ENHZ} | Enable to Pad Delay through the Output Buffer—High to Z | | 2.29 | | 2.30 | | 2.31 | ns |
| t _{IOCLKQ} | Sequential Clock-to-Q for the I/O Input Register | | 0.67 | | 0.77 | | 0.90 | ns |
| t _{IOCLKY} | Clock-to-output Y for the I/O Output Register and the I/O Enable Register | | 0.67 | | 0.77 | | 0.90 | ns |
| t _{SUD} | Data Input Set-Up | | 0.23 | | 0.27 | | 0.31 | ns |
| t _{SUE} | Enable Input Set-Up | | 0.26 | | 0.30 | | 0.35 | ns |
| t _{HD} | Data Input Hold | | 0.00 | | 0.00 | | 0.00 | ns |
| t _{HE} | Enable Input Hold | | 0.00 | | 0.00 | | 0.00 | ns |
| t _{CPWHL} | Clock Pulse Width High to Low | 0.39 | | 0.39 | | 0.39 | | ns |
| t _{CPWLH} | Clock Pulse Width Low to High | 0.39 | | 0.39 | | 0.39 | | ns |
| t _{WASYN} | Asynchronous Pulse Width | 0.37 | | 0.37 | | 0.37 | | ns |
| t _{REASYN} | Asynchronous Recovery Time | | 0.13 | | 0.15 | | 0.17 | ns |
| t _{HASYN} | Asynchronous Removal Time | | 0.00 | | 0.00 | | 0.00 | ns |
| t _{CLR} | Asynchronous Clear-to-Q | | 0.23 | | 0.27 | | 0.31 | ns |
| t _{PRESET} | Asynchronous Preset-to-Q | | 0.23 | | 0.27 | | 0.31 | ns |

Table 2-22 • 3.3 V LVTTTL I/O Module
Worst-Case Commercial Conditions VCCA = 1.425 V, VCCI = 3.0 V, T_J = 70°C (continued)

| Parameter | Description | -2 Speed | | -1 Speed | | Std Speed | | Units |
|---|---|----------|------|----------|------|-----------|------|-------|
| | | Min. | Max. | Min. | Max. | Min. | Max. | |
| LVTTTL Output Drive Strength =3 (16 mA) / High Slew Rate | | | | | | | | |
| t _{DP} | Input Buffer | | 1.68 | | 1.92 | | 2.26 | ns |
| t _{PY} | Output Buffer | | 3.12 | | 3.56 | | 4.18 | ns |
| t _{ENZL} | Enable to Pad Delay through the Output Buffer—Z to Low | | 3.54 | | 4.04 | | 4.75 | ns |
| t _{ENZH} | Enable to Pad Delay through the Output Buffer—Z to High | | 2.78 | | 3.17 | | 3.72 | ns |
| t _{ENLZ} | Enable to Pad Delay through the Output Buffer—Low to Z | | 1.91 | | 1.93 | | 1.93 | ns |
| t _{ENHZ} | Enable to Pad Delay through the Output Buffer—High to Z | | 2.58 | | 2.59 | | 2.60 | ns |
| t _{IOCLKQ} | Sequential Clock-to-Q for the I/O Input Register | | 0.67 | | 0.77 | | 0.90 | ns |
| t _{IOCLKY} | Clock-to-output Y for the I/O Output Register and the I/O Enable Register | | 0.67 | | 0.77 | | 0.90 | ns |
| t _{SUD} | Data Input Set-Up | | 0.23 | | 0.27 | | 0.31 | ns |
| t _{SUE} | Enable Input Set-Up | | 0.26 | | 0.30 | | 0.35 | ns |
| t _{HD} | Data Input Hold | | 0.00 | | 0.00 | | 0.00 | ns |
| t _{HE} | Enable Input Hold | | 0.00 | | 0.00 | | 0.00 | ns |
| t _{CPWHL} | Clock Pulse Width High to Low | 0.39 | | 0.39 | | 0.39 | | ns |
| t _{CPWLH} | Clock Pulse Width Low to High | 0.39 | | 0.39 | | 0.39 | | ns |
| t _{WASYN} | Asynchronous Pulse Width | 0.37 | | 0.37 | | 0.37 | | ns |
| t _{REASYN} | Asynchronous Recovery Time | | 0.13 | | 0.15 | | 0.17 | ns |
| t _{HASYN} | Asynchronous Removal Time | | 0.00 | | 0.00 | | 0.00 | ns |
| t _{CLR} | Asynchronous Clear-to-Q | | 0.23 | | 0.27 | | 0.31 | ns |
| t _{PRESET} | Asynchronous Preset-to-Q | | 0.23 | | 0.27 | | 0.31 | ns |

Table 2-22 • 3.3 V LVTTTL I/O Module
Worst-Case Commercial Conditions VCCA = 1.425 V, VCCI = 3.0 V, T_J = 70°C (continued)

| Parameter | Description | -2 Speed | | -1 Speed | | Std Speed | | Units |
|---|---|----------|------|----------|------|-----------|------|-------|
| | | Min. | Max. | Min. | Max. | Min. | Max. | |
| LVTTTL Output Drive Strength = 4 (24mA) / High Slew Rate | | | | | | | | |
| t _{DP} | Input Buffer | | 1.68 | | 1.92 | | 2.26 | ns |
| t _{PY} | Output Buffer | | 2.99 | | 3.41 | | 4.01 | ns |
| t _{ENZL} | Enable to Pad Delay through the Output Buffer—Z to Low | | 2.49 | | 2.51 | | 2.51 | ns |
| t _{ENZH} | Enable to Pad Delay through the Output Buffer—Z to High | | 2.59 | | 2.95 | | 3.46 | ns |
| t _{ENLZ} | Enable to Pad Delay through the Output Buffer—Low to Z | | 1.91 | | 1.93 | | 1.93 | ns |
| t _{ENHZ} | Enable to Pad Delay through the Output Buffer—High to Z | | 3.56 | | 4.06 | | 4.77 | ns |
| t _{IOCLKQ} | Sequential Clock-to-Q for the I/O Input Register | | 0.67 | | 0.77 | | 0.90 | ns |
| t _{IOCLKY} | Clock-to-output Y for the I/O Output Register and the I/O Enable Register | | 0.67 | | 0.77 | | 0.90 | ns |
| t _{SUD} | Data Input Set-Up | | 0.23 | | 0.27 | | 0.31 | ns |
| t _{SUE} | Enable Input Set-Up | | 0.26 | | 0.30 | | 0.35 | ns |
| t _{HD} | Data Input Hold | | 0.00 | | 0.00 | | 0.00 | ns |
| t _{HE} | Enable Input Hold | | 0.00 | | 0.00 | | 0.00 | ns |
| t _{CPWHL} | Clock Pulse Width High to Low | 0.39 | | 0.39 | | 0.39 | | ns |
| t _{CPWLH} | Clock Pulse Width Low to High | 0.39 | | 0.39 | | 0.39 | | ns |
| t _{WASYN} | Asynchronous Pulse Width | 0.37 | | 0.37 | | 0.37 | | ns |
| t _{REASYN} | Asynchronous Recovery Time | | 0.13 | | 0.15 | | 0.17 | ns |
| t _{HASYN} | Asynchronous Removal Time | | 0.00 | | 0.00 | | 0.00 | ns |
| t _{CLR} | Asynchronous Clear-to-Q | | 0.23 | | 0.27 | | 0.31 | ns |
| t _{PRESET} | Asynchronous Preset-to-Q | | 0.23 | | 0.27 | | 0.31 | ns |

2.5 V LVCMOS

Low-Voltage Complementary Metal-Oxide Semiconductor for 2.5 V is an extension of the LVCMOS standard (JESD8-5) used for general-purpose 2.5 V applications. It uses a 3.3 V tolerant CMOS input buffer and a push-pull output buffer.

Table 2-23 • DC Input and Output Levels

| VIL | | VIH | | VOL | VOH | IOL | IOH |
|---------|---------|---------|---------|---------|---------|-----|-----|
| Min., V | Max., V | Min., V | Max., V | Max., V | Min., V | mA | mA |
| -0.3 | 0.7 | 1.7 | 3.6 | 0.4 | 2.0 | 12 | -12 |

AC Loadings



Figure 2-16 • AC Test Loads

Table 2-24 • AC Waveforms, Measuring Points, and Capacitive Loads

| Input Low (V) | Input High (V) | Measuring Point* (V) | VREF (typ) (V) | C _{load} (pF) |
|---------------|----------------|----------------------|----------------|------------------------|
| 0 | 2.5 | 1.25 | N/A | 35 |

Note: * Measuring Point = VTRIP

Timing Characteristics

Table 2-25 • 2.5V LVCMOS I/O Module

Worst-Case Commercial Conditions VCCA = 1.425 V, VCCI = 2.3 V, T_J = 70°C

| Parameter | Description | -2 Speed | | -1 Speed | | Std Speed | | Units |
|-----------------------------------|---|----------|------|----------|------|-----------|------|-------|
| | | Min. | Max. | Min. | Max. | Min. | Max. | |
| LVCMOS25 I/O Module Timing | | | | | | | | |
| t _{DP} | Input Buffer | | 1.95 | | 2.22 | | 2.61 | ns |
| t _{PY} | Output Buffer | | 3.29 | | 3.74 | | 4.40 | ns |
| t _{ENZL} | Enable to Pad Delay through the Output Buffer—Z to Low | | 2.48 | | 2.50 | | 2.51 | ns |
| t _{ENZH} | Enable to Pad Delay through the Output Buffer—Z to High | | 2.48 | | 2.50 | | 2.51 | ns |
| t _{ENLZ} | Enable to Pad Delay through the Output Buffer—Low to Z | | 5.74 | | 6.54 | | 7.69 | ns |
| t _{ENHZ} | Enable to Pad Delay through the Output Buffer—High to Z | | 6.60 | | 7.51 | | 8.83 | ns |
| t _{IOCLKQ} | Sequential Clock-to-Q for the I/O Input Register | | 0.67 | | 0.77 | | 0.90 | ns |
| t _{IOCLKY} | Clock-to-output Y for the I/O Output Register and the I/O Enable Register | | 0.67 | | 0.77 | | 0.90 | ns |
| t _{SUD} | Data Input Set-Up | | 0.23 | | 0.27 | | 0.31 | ns |
| t _{SUE} | Enable Input Set-Up | | 0.26 | | 0.30 | | 0.35 | ns |
| t _{HD} | Data Input Hold | | 0.00 | | 0.00 | | 0.00 | ns |
| t _{HE} | Enable Input Hold | | 0.00 | | 0.00 | | 0.00 | ns |
| t _{CPWHL} | Clock Pulse Width High to Low | 0.39 | | 0.39 | | 0.39 | | ns |
| t _{CPWLH} | Clock Pulse Width Low to High | 0.39 | | 0.39 | | 0.39 | | ns |
| t _{WASYN} | Asynchronous Pulse Width | 0.37 | | 0.37 | | 0.37 | | ns |
| t _{REASYN} | Asynchronous Recovery Time | | 0.13 | | 0.15 | | 0.17 | ns |
| t _{HASYN} | Asynchronous Removal Time | | 0.00 | | 0.00 | | 0.00 | ns |
| t _{CLR} | Asynchronous Clear-to-Q | | 0.23 | | 0.27 | | 0.31 | ns |
| t _{PRESET} | Asynchronous Preset-to-Q | | 0.23 | | 0.27 | | 0.31 | ns |

1.8 V LVCMOS

Low-Voltage Complementary Metal-Oxide Semiconductor for 1.8 V is an extension of the LVCMOS standard (JESD8-5) used for general-purpose 1.8 V applications. It uses a 3.3 V tolerant CMOS input buffer and a push-pull output buffer.

Table 2-26 • DC Input and Output Levels

| VIL | | VIH | | VOL | VOH | IOL | IOH |
|---------|----------|----------|---------|---------|------------|------|-------|
| Min., V | Max., V | Min., V | Max., V | Max., V | Min., V | mA | mA |
| -0.3 | 0.2 VCCI | 0.7 VCCI | 3.6 | 0.2 | VCCI - 0.2 | 8 mA | -8 mA |

AC Loadings

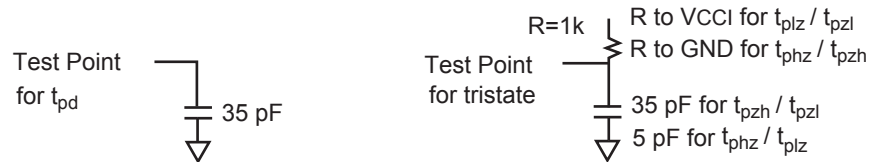


Figure 2-17 • AC Test Loads

Table 2-27 • AC Waveforms, Measuring Points, and Capacitive Loads

| Input Low (V) | Input High (V) | Measuring Point* (V) | VREF (typ) (V) | C _{load} (pF) |
|---------------|----------------|----------------------|----------------|------------------------|
| 0 | 1.8 | 0.5 VCCI | N/A | 35 |

Note: * Measuring Point = VTRIP

Timing Characteristics

Table 2-28 • 1.8V LVCMOS I/O Module

Worst-Case Commercial Conditions VCCA = 1.425 V, VCCI = 1.7 V, T_J = 70°C

| Parameter | Description | -2 Speed | | -1 Speed | | Std Speed | | Units |
|--------------------------------------|---|----------|------|----------|------|-----------|------|-------|
| | | Min. | Max. | Min. | Max. | Min. | Max. | |
| LVCMOS18 Output Module Timing | | | | | | | | |
| t _{DP} | Input Buffer | | 3.26 | | 3.71 | | 4.37 | ns |
| t _{PY} | Output Buffer | | 4.55 | | 5.18 | | 6.09 | ns |
| t _{ENZL} | Enable to Pad Delay through the Output Buffer—Z to Low | | 2.82 | | 2.83 | | 2.84 | ns |
| t _{ENZH} | Enable to Pad Delay through the Output Buffer—Z to High | | 3.43 | | 3.45 | | 3.46 | ns |
| t _{ENLZ} | Enable to Pad Delay through the Output Buffer—Low to Z | | 6.01 | | 6.85 | | 8.05 | ns |
| t _{ENHZ} | Enable to Pad Delay through the Output Buffer—High to Z | | 6.73 | | 7.67 | | 9.01 | ns |
| t _{IOCLKQ} | Sequential Clock-to-Q for the I/O Input Register | | 0.67 | | 0.77 | | 0.90 | ns |
| t _{IOCLKY} | Clock-to-output Y for the I/O Output Register and the I/O Enable Register | | 0.67 | | 0.77 | | 0.90 | ns |
| t _{SUD} | Data Input Set-Up | | 0.23 | | 0.27 | | 0.31 | ns |
| t _{SUE} | Enable Input Set-Up | | 0.26 | | 0.30 | | 0.35 | ns |
| t _{HD} | Data Input Hold | | 0.00 | | 0.00 | | 0.00 | ns |
| t _{HE} | Enable Input Hold | | 0.00 | | 0.00 | | 0.00 | ns |
| t _{CPWHL} | Clock Pulse Width High to Low | 0.39 | | 0.39 | | 0.39 | | ns |
| t _{CPWLH} | Clock Pulse Width Low to High | 0.39 | | 0.39 | | 0.39 | | ns |
| t _{WASYN} | Asynchronous Pulse Width | 0.37 | | 0.37 | | 0.37 | | ns |
| t _{REASYN} | Asynchronous Recovery Time | | 0.13 | | 0.15 | | 0.17 | ns |
| t _{HASYN} | Asynchronous Removal Time | | 0.00 | | 0.00 | | 0.00 | ns |
| t _{CLR} | Asynchronous Clear-to-Q | | 0.23 | | 0.27 | | 0.31 | ns |
| t _{PRESET} | Asynchronous Preset-to-Q | | 0.23 | | 0.27 | | 0.31 | ns |

1.5 V LVC MOS (JESD8-11)

Low-Voltage Complementary Metal-Oxide Semiconductor for 1.5 V is an extension of the LVC MOS standard (JESD8-5) used for general-purpose 1.5 V applications. It uses a 3.3 V tolerant CMOS input buffer and a push-pull output buffer.

Table 2-29 • DC Input and Output Levels

| VIL | | VIH | | VOL | VOH | IOL | IOH |
|---------|-----------------------|-----------------------|---------|---------|------------------------|------|-------|
| Min., V | Max., V | Min., V | Max., V | Max., V | Min., V | mA | mA |
| -0.3 | 0.35 V _{CCI} | 0.65 V _{CCI} | 3.6 | 0.4 | V _{CCI} - 0.4 | 8 mA | -8 mA |

AC Loadings

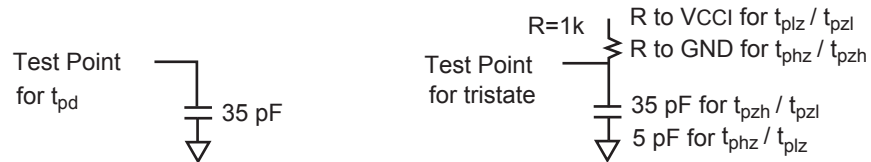


Table 2-30 • AC Test Loads

Table 2-31 • AC Waveforms, Measuring Points, and Capacitive Loads

| Input Low (V) | Input High (V) | Measuring Point* (V) | VREF (typ) (V) | C _{load} (pF) |
|---------------|----------------|----------------------|----------------|------------------------|
| 0 | 1.5 | 0.5V _{CCI} | N/A | 35 |

Note: * Measuring Point = VTRIP

Timing Characteristics

Table 2-32 • 1.5V LVCMOS I/O Module

Worst-Case Commercial Conditions VCCA = 1.425 V, VCCI = 1.4 V, T_J = 70°C

| Parameter | Description | -2 Speed | | -1 Speed | | Std Speed | | Units |
|--|---|----------|------|----------|------|-----------|------|-------|
| | | Min. | Max. | Min. | Max. | Min. | Max. | |
| LVCMOS15 (JESD8-11) I/O Module Timing | | | | | | | | |
| t _{DP} | Input Buffer | | 3.59 | | 4.09 | | 4.81 | ns |
| t _{PY} | Output Buffer | | 6.05 | | 6.89 | | 8.10 | ns |
| t _{ENZL} | Enable to Pad Delay through the Output Buffer—Z to Low | | 3.31 | | 3.34 | | 3.34 | ns |
| t _{ENZH} | Enable to Pad Delay through the Output Buffer—Z to High | | 4.56 | | 4.58 | | 4.59 | ns |
| t _{ENLZ} | Enable to Pad Delay through the Output Buffer—Low to Z | | 6.37 | | 7.25 | | 8.52 | ns |
| t _{ENHZ} | Enable to Pad Delay through the Output Buffer—High to Z | | 6.94 | | 7.90 | | 9.29 | ns |
| t _{IOCLKQ} | Sequential Clock-to-Q for the I/O Input Register | | 0.67 | | 0.77 | | 0.90 | ns |
| t _{IOCLKY} | Clock-to-output Y for the I/O Output Register and the I/O Enable Register | | 0.67 | | 0.77 | | 0.90 | ns |
| t _{SUD} | Data Input Set-Up | | 0.23 | | 0.27 | | 0.31 | ns |
| t _{SUE} | Enable Input Set-Up | | 0.26 | | 0.30 | | 0.35 | ns |
| t _{HD} | Data Input Hold | | 0.00 | | 0.00 | | 0.00 | ns |
| t _{HE} | Enable Input Hold | | 0.00 | | 0.00 | | 0.00 | ns |
| t _{CPWHL} | Clock Pulse Width High to Low | 0.39 | | 0.39 | | 0.39 | | ns |
| t _{CPWLH} | Clock Pulse Width Low to High | 0.39 | | 0.39 | | 0.39 | | ns |
| t _{WASYN} | Asynchronous Pulse Width | 0.37 | | 0.37 | | 0.37 | | ns |
| t _{REASYN} | Asynchronous Recovery Time | | 0.13 | | 0.15 | | 0.17 | ns |
| t _{HASYN} | Asynchronous Removal Time | | 0.00 | | 0.00 | | 0.00 | ns |
| t _{CLR} | Asynchronous Clear-to-Q | | 0.23 | | 0.27 | | 0.31 | ns |
| t _{PRESET} | Asynchronous Preset-to-Q | | 0.23 | | 0.27 | | 0.31 | ns |

3.3 V PCI, 3.3 V PCI-X

Peripheral Component Interface for 3.3 V standard specifies support for both 33 MHz and 66 MHz PCI bus applications. It uses an LVTTTL input buffer and a push-pull output buffer. The input and output buffers are 5 V tolerant with the aid of external components. Axcelerator 3.3 V PCI and 3.3 V PCI-X buffers are compliant with the PCI Local Bus Specification Rev. 2.1.

The PCI Compliance Specification requires the clamp diodes to be able to withstand for 11 ns, -3.5 V in undershoot, and 7.1 V in overshoot.

Table 2-33 • DC Input and Output Levels

| | VIL | | VIH | | VOL | VOH | IOL | IOH |
|-------|---------|-----------|----------|------------|-------------------------|---------|-----|-----|
| | Min., V | Max., V | Min., V | Max., V | Max., V | Min., V | mA | mA |
| PCI | -0.3 | 0.3 VCCI | 0.5 VCCI | VCCI + 0.5 | (per PCI specification) | | | |
| PCI-X | -0.5 | 0.35 VCCI | 0.5 VCCI | VCCI + 0.5 | (per PCI specification) | | | |

AC Loadings

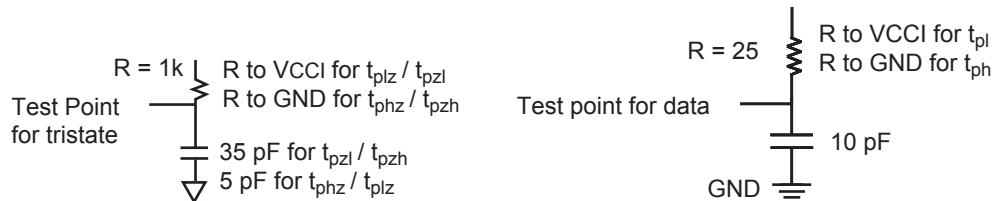


Figure 2-18 • AC Test Loads

Table 2-34 • AC Waveforms, Measuring Points, and Capacitive Loads

| Input Low (V) | Input High (V) | Measuring Point* (V) | VREF (typ) (V) | C _{load} (pF) |
|-------------------------------|----------------|----------------------|----------------|------------------------|
| (Per PCI Spec and PCI-X Spec) | | | N/A | 10 |

Note: * Measuring Point = VTRIP

Timing Characteristics

Table 2-35 • 3.3 V PCI I/O Module

Worst-Case Commercial Conditions VCCA = 1.425 V, VCCI = 3.0 V, T_J = 70°C

| Parameter | Description | -2 Speed | | -1 Speed | | Std Speed | | Units |
|---------------------------------------|---|----------|------|----------|------|-----------|------|-------|
| | | Min. | Max. | Min. | Max. | Min. | Max. | |
| 3.3 V PCI Output Module Timing | | | | | | | | |
| t _{DP} | Input Buffer | | 1.57 | | 1.79 | | 2.10 | ns |
| t _{PY} | Output Buffer | | 1.91 | | 2.18 | | 2.56 | ns |
| t _{ENZL} | Enable to Pad Delay through the Output Buffer—Z to Low | | 1.61 | | 1.62 | | 1.63 | ns |
| t _{ENZH} | Enable to Pad Delay through the Output Buffer—Z to High | | 1.45 | | 1.47 | | 1.47 | ns |
| t _{ENLZ} | Enable to Pad Delay through the Output Buffer—Low to Z | | 2.55 | | 2.90 | | 3.41 | ns |
| t _{ENHZ} | Enable to Pad Delay through the Output Buffer—High to Z | | 3.52 | | 4.01 | | 4.72 | ns |
| t _{IOCLKQ} | Sequential Clock-to-Q for the I/O Input Register | | 0.67 | | 0.77 | | 0.90 | ns |
| t _{IOCLKY} | Clock-to-output Y for the I/O Output Register and the I/O Enable Register | | 0.67 | | 0.77 | | 0.90 | ns |
| t _{SUD} | Data Input Set-Up | | 0.23 | | 0.27 | | 0.31 | ns |
| t _{SUE} | Enable Input Set-Up | | 0.26 | | 0.30 | | 0.35 | ns |
| t _{HD} | Data Input Hold | | 0.00 | | 0.00 | | 0.00 | ns |
| t _{HE} | Enable Input Hold | | 0.00 | | 0.00 | | 0.00 | ns |
| t _{CPWHL} | Clock Pulse Width High to Low | 0.39 | | 0.39 | | 0.39 | | ns |
| t _{CPWLH} | Clock Pulse Width Low to High | 0.39 | | 0.39 | | 0.39 | | ns |
| t _{WASYN} | Asynchronous Pulse Width | 0.37 | | 0.37 | | 0.37 | | ns |
| t _{REASYN} | Asynchronous Recovery Time | | 0.13 | | 0.15 | | 0.17 | ns |
| t _{HASYN} | Asynchronous Removal Time | | 0.00 | | 0.00 | | 0.00 | ns |
| t _{CLR} | Asynchronous Clear-to-Q | | 0.23 | | 0.27 | | 0.31 | ns |
| t _{PRESET} | Asynchronous Preset-to-Q | | 0.23 | | 0.27 | | 0.31 | ns |

Table 2-36 • 3.3 V PCI-X I/O Module
Worst-Case Commercial Conditions VCCA = 1.425 V, VCCI = 3.0 V, T_J = 70°C

| Parameter | Description | -2 Speed | | -1 Speed | | Std Speed | | Units |
|---|---|----------|------|----------|------|-----------|------|-------|
| | | Min. | Max. | Min. | Max. | Min. | Max. | |
| 3.3 V PCI-X Output Module Timing | | | | | | | | |
| t _{DP} | Input Buffer | | 1.57 | | 1.79 | | 2.10 | ns |
| t _{PY} | Output Buffer | | 2.10 | | 2.40 | | 2.82 | ns |
| t _{ENZL} | Enable to Pad Delay through the Output Buffer—Z to Low | | 1.61 | | 1.62 | | 1.63 | ns |
| t _{ENZH} | Enable to Pad Delay through the Output Buffer—Z to High | | 1.59 | | 1.60 | | 1.61 | ns |
| t _{ENLZ} | Enable to Pad Delay through the Output Buffer—Low to Z | | 2.65 | | 3.02 | | 3.55 | ns |
| t _{ENHZ} | Enable to Pad Delay through the Output Buffer—High to Z | | 3.11 | | 3.55 | | 4.17 | ns |
| t _{IOCLKQ} | Sequential Clock-to-Q for the I/O Input Register | | 0.67 | | 0.77 | | 0.90 | ns |
| t _{IOCLKY} | Clock-to-output Y for the I/O Output Register and the I/O Enable Register | | 0.67 | | 0.77 | | 0.90 | ns |
| t _{SUD} | Data Input Set-Up | | 0.23 | | 0.27 | | 0.31 | ns |
| t _{SUE} | Enable Input Set-Up | | 0.26 | | 0.30 | | 0.35 | ns |
| t _{HD} | Data Input Hold | | 0.00 | | 0.00 | | 0.00 | ns |
| t _{HE} | Enable Input Hold | | 0.00 | | 0.00 | | 0.00 | ns |
| t _{CPWHL} | Clock Pulse Width High to Low | 0.39 | | 0.39 | | 0.39 | | ns |
| t _{CPWLH} | Clock Pulse Width Low to High | 0.39 | | 0.39 | | 0.39 | | ns |
| t _{WASYN} | Asynchronous Pulse Width | 0.37 | | 0.37 | | 0.37 | | ns |
| t _{REASYN} | Asynchronous Recovery Time | | 0.13 | | 0.15 | | 0.17 | ns |
| t _{HASYN} | Asynchronous Removal Time | | 0.00 | | 0.00 | | 0.00 | ns |
| t _{CLR} | Asynchronous Clear-to-Q | | 0.23 | | 0.27 | | 0.31 | ns |
| t _{PRESET} | Asynchronous Preset-to-Q | | 0.23 | | 0.27 | | 0.31 | ns |

Voltage-Referenced I/O Standards

GTL+

Gunning Transceiver Logic Plus is a high-speed bus standard (JESD8-3). It requires a differential amplifier input buffer and an Open Drain output buffer. The VCCI pin should be connected to 2.5 V or 3.3 V. Note that 2.5 V GTL+ is not supported across the full military temperature range.

Table 2-37 • DC Input and Output Levels

| VIL | | VIH | | VOL | VOH | IOL | IOH |
|---------|------------|------------|---------|---------|---------|-----|-----|
| Min., V | Max., V | Min., V | Max., V | Max., V | Min., V | mA | mA |
| N/A | VREF – 0.1 | VREF + 0.1 | N/A | 0.6 | NA | NA | NA |

AC Loadings

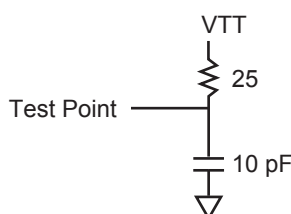


Figure 2-19 • AC Test Loads

Table 2-38 • AC Waveforms, Measuring Points, and Capacitive Loads

| Input Low (V) | Input High (V) | Measuring Point* (V) | VREF (typ) (V) | C _{load} (pF) |
|---------------|----------------|----------------------|----------------|------------------------|
| VREF – 0.2 | VREF + 0.2 | VREF | 1.0 | 10 |

Note: * Measuring Point = VTRIP

Timing Characteristics

Table 2-39 • 2.5 V GTL+ I/O Module

Worst-Case Commercial Conditions VCCA = 1.425 V, VCCI = 2.3 V, T_J = 70°C

| Parameter | Description | –2 Speed | | –1 Speed | | Std Speed | | Units |
|-------------------------------------|--|----------|------|----------|------|-----------|------|-------|
| | | Min. | Max. | Min. | Max. | Min. | Max. | |
| 2.5 V GTL+ I/O Module Timing | | | | | | | | |
| t _{DP} | Input Buffer | | 1.71 | | 1.95 | | 2.29 | ns |
| t _{PY} | Output Buffer | | 1.13 | | 1.29 | | 1.52 | ns |
| t _{CLKQ} | Clock-to-Q for the I/O input register | | 0.67 | | 0.77 | | 0.90 | ns |
| t _{OCLKQ} | Clock-to-Q for the I/O output register and the I/O enable register | | 0.67 | | 0.77 | | 0.90 | ns |
| t _{SUD} | Data Input Set-Up | | 0.23 | | 0.27 | | 0.31 | ns |
| t _{SUE} | Enable Input Set-Up | | 0.26 | | 0.30 | | 0.35 | ns |
| t _{HD} | Data Input Hold | | 0.00 | | 0.00 | | 0.00 | ns |
| t _{HE} | Enable Input Hold | | 0.00 | | 0.00 | | 0.00 | ns |
| t _{CPWHL} | Clock Pulse Width High to Low | 0.39 | | 0.39 | | 0.39 | | ns |
| t _{CPWLH} | Clock Pulse Width Low to High | 0.39 | | 0.39 | | 0.39 | | ns |
| t _{WASYN} | Asynchronous Pulse Width | 0.37 | | 0.37 | | 0.37 | | ns |
| t _{REASYN} | Asynchronous Recovery Time | | 0.13 | | 0.15 | | 0.17 | ns |
| t _{HASYN} | Asynchronous Removal Time | | 0.00 | | 0.00 | | 0.00 | ns |
| t _{CLR} | Asynchronous Clear-to-Q | | 0.23 | | 0.27 | | 0.31 | ns |
| t _{PRESET} | Asynchronous Preset-to-Q | | 0.23 | | 0.27 | | 0.31 | ns |

Table 2-40 • 3.3 V GTL+ I/O Module
Worst-Case Commercial Conditions VCCA = 1.425 V, VCCI = 3.0 V, T_J = 70°C

| Parameter | Description | -2 Speed | | -1 Speed | | Std Speed | | Units |
|------------------------------------|--|----------|------|----------|------|-----------|------|-------|
| | | Min. | Max. | Min. | Max. | Min. | Max. | |
| 3.3 V GTL+I/O Module Timing | | | | | | | | |
| t _{DP} | Input Buffer | | 1.71 | | 1.95 | | 2.29 | ns |
| t _{PY} | Output Buffer | | 1.13 | | 1.29 | | 1.52 | ns |
| t _{CLKQ} | Clock-to-Q for the I/O input register | | 0.67 | | 0.77 | | 0.90 | ns |
| t _{OCLKQ} | Clock-to-Q for the I/O output register and the I/O enable register | | 0.67 | | 0.77 | | 0.90 | ns |
| t _{SUD} | Data Input Set-Up | | 0.23 | | 0.27 | | 0.31 | ns |
| t _{SUE} | Enable Input Set-Up | | 0.26 | | 0.30 | | 0.35 | ns |
| t _{HD} | Data Input Hold | | 0.00 | | 0.00 | | 0.00 | ns |
| t _{HE} | Enable Input Hold | | 0.00 | | 0.00 | | 0.00 | ns |
| t _{CPWHL} | Clock Pulse Width High to Low | 0.39 | | 0.39 | | 0.39 | | ns |
| t _{CPWLH} | Clock Pulse Width Low to High | 0.39 | | 0.39 | | 0.39 | | ns |
| t _{WASYN} | Asynchronous Pulse Width | 0.37 | | 0.37 | | 0.37 | | ns |
| t _{REASYN} | Asynchronous Recovery Time | | 0.13 | | 0.15 | | 0.17 | ns |
| t _{HASYN} | Asynchronous Removal Time | | 0.00 | | 0.00 | | 0.00 | ns |
| t _{CLR} | Asynchronous Clear-to-Q | | 0.23 | | 0.27 | | 0.31 | ns |
| t _{PRESET} | Asynchronous Preset-to-Q | | 0.23 | | 0.27 | | 0.31 | ns |

HSTL Class I

High-Speed Transceiver Logic is a general-purpose high-speed 1.5 V bus standard (EIA/JESD8-6). The Axcelerator devices support Class I. This requires a differential amplifier input buffer and a push-pull output buffer.

Table 2-41 • DC Input and Output Levels

| VIL | | VIH | | VOL | VOH | IOL | IOH |
|---------|------------|------------|---------|---------|-----------|-----|-----|
| Min., V | Max., V | Min., V | Max., V | Max., V | Min., V | mA | mA |
| -0.3 | VREF - 0.1 | VREF + 0.1 | 3.6 | 0.4 | VCC - 0.4 | 8 | -8 |

AC Loadings

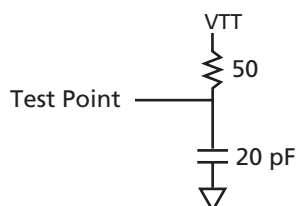


Figure 2-20 • AC Test Loads

Table 2-42 • AC Waveforms, Measuring Points, and Capacitive Loads

| Input Low (V) | Input High (V) | Measuring Point* (V) | VREF (typ) (V) | C _{load} (pF) |
|---------------|----------------|----------------------|----------------|------------------------|
| VREF - 0.5 | VREF + 0.5 | VREF | 0.75 | 20 |

Note: * Measuring Point = VTRIP

Timing Characteristics

Table 2-43 • 1.5 V HSTL Class I I/O Module

Worst-Case Commercial Conditions VCCA = 1.425 V, VCCI = 1.425 V, T_J = 70°C

| Parameter | Description | -2 Speed | | -1 Speed | | Std Speed | | Units |
|---|--|----------|------|----------|------|-----------|------|-------|
| | | Min. | Max. | Min. | Max. | Min. | Max. | |
| 1.5 V HSTL Class I I/O Module Timing | | | | | | | | |
| t _{DP} | Input Buffer | | 1.80 | | 2.05 | | 2.41 | ns |
| t _{PY} | Output Buffer | | 4.90 | | 5.58 | | 6.56 | ns |
| t _{CLKQ} | Clock-to-Q for the I/O input register | | 0.67 | | 0.77 | | 0.90 | ns |
| t _{OCLKQ} | Clock-to-Q for the I/O output register and the I/O enable register | | 0.67 | | 0.77 | | 0.90 | ns |
| t _{SUD} | Data Input Set-Up | | 0.23 | | 0.27 | | 0.31 | ns |
| t _{SUE} | Enable Input Set-Up | | 0.26 | | 0.30 | | 0.35 | ns |
| t _{HD} | Data Input Hold | | 0.00 | | 0.00 | | 0.00 | ns |
| t _{HE} | Enable Input Hold | | 0.00 | | 0.00 | | 0.00 | ns |
| t _{CPWHL} | Clock Pulse Width High to Low | 0.39 | | 0.39 | | 0.39 | | ns |
| t _{CPWLH} | Clock Pulse Width Low to High | 0.39 | | 0.39 | | 0.39 | | ns |
| t _{WASYN} | Asynchronous Pulse Width | 0.37 | | 0.37 | | 0.37 | | ns |
| t _{REASYN} | Asynchronous Recovery Time | | 0.13 | | 0.15 | | 0.17 | ns |
| t _{HASYN} | Asynchronous Removal Time | | 0.00 | | 0.00 | | 0.00 | ns |
| t _{CLR} | Asynchronous Clear-to-Q | | 0.23 | | 0.27 | | 0.31 | ns |
| t _{PRESET} | Asynchronous Preset-to-Q | | 0.23 | | 0.27 | | 0.31 | ns |

SSTL2

Stub Series Terminated Logic for 2.5 V is a general-purpose 2.5 V memory bus standard (JESD8-9). The Axcelerator devices support both classes of this standard. This requires a differential amplifier input buffer and a push-pull output buffer.

Class I

Table 2-44 • DC Input and Output Levels

| VIL | | VIH | | VOL | VOH | IOL | IOH |
|---------|------------|------------|---------|-------------|-------------|-----|------|
| Min., V | Max., V | Min., V | Max., V | Max., V | Min., V | mA | mA |
| -0.3 | VREF - 0.2 | VREF + 0.2 | 3.6 | VREF - 0.57 | VREF + 0.57 | 7.6 | -7.6 |

AC Loadings

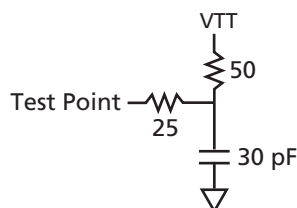


Figure 2-21 • AC Test Loads

Table 2-45 • AC Waveforms, Measuring Points, and Capacitive Loads

| Input Low (V) | Input High (V) | Measuring Point* (V) | VREF (typ) (V) | C _{load} (pF) |
|---------------|----------------|----------------------|----------------|------------------------|
| VREF - 0.75 | VREF + 0.75 | VREF | 1.25 | 30 |

Note: * Measuring Point = VTRIP

Timing Characteristics

Table 2-46 • 2.5 V SSTL2 Class I I/O Module

Worst-Case Commercial Conditions VCCA = 1.425 V, VCCI = 2.3 V, T_J = 70°C

| Parameter | Description | -2 Speed | | -1 Speed | | Std Speed | | Units |
|--|--|----------|------|----------|------|-----------|------|-------|
| | | Min. | Max. | Min. | Max. | Min. | Max. | |
| 2.5 V SSTL2 Class I I/O Module Timing | | | | | | | | |
| t _{DP} | Input Buffer | | 1.83 | | 2.08 | | 2.45 | ns |
| t _{PY} | Output Buffer | | 2.39 | | 2.72 | | 3.20 | ns |
| t _{CLKQ} | Clock-to-Q for the I/O input register | | 0.67 | | 0.77 | | 0.90 | ns |
| t _{OCLKQ} | Clock-to-Q for the I/O output register and the I/O enable register | | 0.67 | | 0.77 | | 0.90 | ns |
| t _{SUD} | Data Input Set-Up | | 0.23 | | 0.27 | | 0.31 | ns |
| t _{SUE} | Enable Input Set-Up | | 0.26 | | 0.30 | | 0.35 | ns |
| t _{HD} | Data Input Hold | | 0.00 | | 0.00 | | 0.00 | ns |
| t _{HE} | Enable Input Hold | | 0.00 | | 0.00 | | 0.00 | ns |
| t _{CPWHL} | Clock Pulse Width High to Low | 0.39 | | 0.39 | | 0.39 | | ns |
| t _{CPWLH} | Clock Pulse Width Low to High | 0.39 | | 0.39 | | 0.39 | | ns |
| t _{WASYN} | Asynchronous Pulse Width | 0.37 | | 0.37 | | 0.37 | | ns |
| t _{REASYN} | Asynchronous Recovery Time | | 0.13 | | 0.15 | | 0.17 | ns |
| t _{HASYN} | Asynchronous Removal Time | | 0.00 | | 0.00 | | 0.00 | ns |
| t _{CLR} | Asynchronous Clear-to-Q | | 0.23 | | 0.27 | | 0.31 | ns |
| t _{PRESET} | Asynchronous Preset-to-Q | | 0.23 | | 0.27 | | 0.31 | ns |

Class II

Table 2-47 • DC Input and Output Levels

| VIL | | VIH | | VOL | VOH | IOL | IOH |
|---------|------------|------------|---------|------------|------------|------|-------|
| Min., V | Max., V | Min., V | Max., V | Max., V | Min., V | mA | mA |
| -0.3 | VREF – 0.2 | VREF + 0.2 | 3.6 | VREF – 0.8 | VREF + 0.8 | 15.2 | -15.2 |

AC Loadings

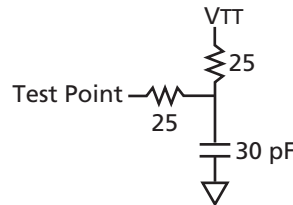


Figure 2-22 • AC Test Loads

Table 2-48 • AC Waveforms, Measuring Points, and Capacitive Loads

| Input Low (V) | Input High (V) | Measuring Point* (V) | VREF (typ) (V) | C _{load} (pF) |
|---------------|----------------|----------------------|----------------|------------------------|
| VREF – 0.75 | VREF + 0.75 | VREF | 1.25 | 30 |

Note: * Measuring Point = V_{trip}

Timing Characteristics

Table 2-49 • 2.5 V SSTL2 Class II I/O Module

Worst-Case Commercial Conditions VCCA = 1.425 V, VCCI = 2.3 V, T_J = 70°C

| Parameter | Description | –2 Speed | | –1 Speed | | Std Speed | | Units |
|---|--|----------|------|----------|------|-----------|------|-------|
| | | Min. | Max. | Min. | Max. | Min. | Max. | |
| 2.5 V SSTL2 Class II I/O Module Timing | | | | | | | | |
| t _{DP} | Input Buffer | | 1.89 | | 2.16 | | 2.53 | ns |
| t _{PY} | Output Buffer | | 2.39 | | 2.72 | | 3.20 | ns |
| t _{CLKQ} | Clock-to-Q for the I/O input register | | 0.67 | | 0.77 | | 0.90 | ns |
| t _{OCLKQ} | Clock-to-Q for the I/O output register and the I/O enable register | | 0.67 | | 0.77 | | 0.90 | ns |
| t _{SUD} | Data Input Set-Up | | 0.23 | | 0.27 | | 0.31 | ns |
| t _{SUE} | Enable Input Set-Up | | 0.26 | | 0.30 | | 0.35 | ns |
| t _{HD} | Data Input Hold | | 0.00 | | 0.00 | | 0.00 | ns |
| t _{HE} | Enable Input Hold | | 0.00 | | 0.00 | | 0.00 | ns |
| t _{CPWHL} | Clock Pulse Width High to Low | 0.39 | | 0.39 | | 0.39 | | ns |
| t _{CPWLH} | Clock Pulse Width Low to High | 0.39 | | 0.39 | | 0.39 | | ns |
| t _{WASYN} | Asynchronous Pulse Width | 0.37 | | 0.37 | | 0.37 | | ns |
| t _{REASYN} | Asynchronous Recovery Time | | 0.13 | | 0.15 | | 0.17 | ns |
| t _{HASYN} | Asynchronous Removal Time | | 0.00 | | 0.00 | | 0.00 | ns |
| t _{CLR} | Asynchronous Clear-to-Q | | 0.23 | | 0.27 | | 0.31 | ns |
| t _{PRESET} | Asynchronous Preset-to-Q | | 0.23 | | 0.27 | | 0.31 | ns |

SSTL3

Stub Series Terminated Logic for 3.3 V is a general-purpose 3.3 V memory bus standard (JESD8-8). The Accelerator devices support both classes of this standard. This requires a differential amplifier input buffer and a push-pull output buffer.

Class I

Table 2-50 • DC Input and Output Levels

| VIL | | VIH | | VOL | VOH | IOL | IOH |
|---------|------------|------------|---------|------------|------------|-----|-----|
| Min., V | Max., V | Min., V | Max., V | Max., V | Min., V | mA | mA |
| -0.3 | VREF - 0.2 | VREF + 0.2 | 3.6 | VREF - 0.6 | VREF + 0.6 | 8 | -8 |

AC Loadings

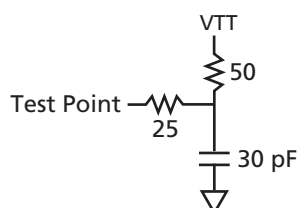


Figure 2-23 • AC Test Loads

Table 2-51 • AC Waveforms, Measuring Points, and Capacitive Loads

| Input Low (V) | Input High (V) | Measuring Point* (V) | VREF (typ) (V) | C _{load} (pF) |
|---------------|----------------|----------------------|----------------|------------------------|
| VREF - 1.0 | VREF + 1.0 | VREF | 1.50 | 30 |

Note: *Measuring Point = VTRIP

Timing Characteristics

Table 2-52 • 3.3 V SSTL3 Class I I/O Module

Worst-Case Commercial Conditions VCCA = 1.425 V, VCCI = 3.0 V, T_J = 70°C

| Parameter | Description | -2 Speed | | -1 Speed | | Std Speed | | Units |
|--|--|----------|------|----------|------|-----------|------|-------|
| | | Min. | Max. | Min. | Max. | Min. | Max. | |
| 3.3 V SSTL3 Class I I/O Module Timing | | | | | | | | |
| t _{DP} | Input Buffer | | 1.78 | | 2.03 | | 2.39 | ns |
| t _{PY} | Output Buffer | | 2.17 | | 2.47 | | 2.91 | ns |
| t _{CLKQ} | Clock-to-Q for the I/O input register | | 0.67 | | 0.77 | | 0.90 | ns |
| t _{OCLKQ} | Clock-to-Q for the I/O output register and the I/O enable register | | 0.67 | | 0.77 | | 0.90 | ns |
| t _{SUD} | Data Input Set-Up | | 0.23 | | 0.27 | | 0.31 | ns |
| t _{SUE} | Enable Input Set-Up | | 0.26 | | 0.30 | | 0.35 | ns |
| t _{HD} | Data Input Hold | | 0.00 | | 0.00 | | 0.00 | ns |
| t _{HE} | Enable Input Hold | | 0.00 | | 0.00 | | 0.00 | ns |
| t _{CPWHL} | Clock Pulse Width High to Low | 0.39 | | 0.39 | | 0.39 | | ns |
| t _{CPWLH} | Clock Pulse Width Low to High | 0.39 | | 0.39 | | 0.39 | | ns |
| t _{WASYN} | Asynchronous Pulse Width | 0.37 | | 0.37 | | 0.37 | | ns |
| t _{REASYN} | Asynchronous Recovery Time | | 0.13 | | 0.15 | | 0.17 | ns |
| t _{HASYN} | Asynchronous Removal Time | | 0.00 | | 0.00 | | 0.00 | ns |
| t _{CLR} | Asynchronous Clear-to-Q | | 0.23 | | 0.27 | | 0.31 | ns |
| t _{PRESET} | Asynchronous Preset-to-Q | | 0.23 | | 0.27 | | 0.31 | ns |

Class II

Table 2-53 • DC Input and Output Levels

| VIL | | VIH | | VOL | VOH | IOL | IOH |
|---------|------------|------------|---------|------------|------------|-----|-----|
| Min., V | Max., V | Min., V | Max., V | Max., V | Min., V | mA | mA |
| -0.3 | VREF – 0.2 | VREF + 0.2 | 3.6 | VREF – 0.8 | VREF + 0.8 | 16 | -16 |

AC Loadings

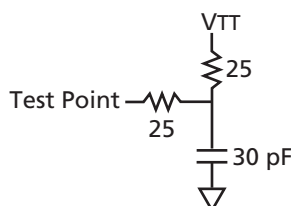


Figure 2-24 • AC Test Loads

Table 2-54 • AC Waveforms, Measuring Points, and Capacitive Loads

| Input Low (V) | Input High (V) | Measuring Point* (V) | VREF (typ) (V) | C _{load} (pF) |
|---------------|----------------|----------------------|----------------|------------------------|
| VREF – 1.0 | VREF + 1.0 | VREF | 1.50 | 30 |

Note: * Measuring Point = VTRIP

Timing Characteristics

Table 2-55 • 3.3 V SSTL3 Class II I/O Module

Worst-Case Commercial Conditions VCCA = 1.425 V, VCCI = 3.0V, T_J = 70°C

| Parameter | Description | –2 Speed | | –1 Speed | | Std Speed | | Units |
|---|--|----------|------|----------|------|-----------|------|-------|
| | | Min. | Max. | Min. | Max. | Min. | Max. | |
| 3.3 V SSTL3 Class II I/O Module Timing | | | | | | | | |
| t _{DP} | Input Buffer | | 1.85 | | 2.10 | | 2.47 | ns |
| t _{PY} | Output Buffer | | 2.17 | | 2.47 | | 2.91 | ns |
| t _{CLKQ} | Clock-to-Q for the I/O input register | | 0.67 | | 0.77 | | 0.90 | ns |
| t _{OCLKQ} | Clock-to-Q for the I/O output register and the I/O enable register | | 0.67 | | 0.77 | | 0.90 | ns |
| t _{SUD} | Data Input Set-Up | | 0.23 | | 0.27 | | 0.31 | ns |
| t _{SUE} | Enable Input Set-Up | | 0.26 | | 0.30 | | 0.35 | ns |
| t _{HD} | Data Input Hold | | 0.00 | | 0.00 | | 0.00 | ns |
| t _{HE} | Enable Input Hold | | 0.00 | | 0.00 | | 0.00 | ns |
| t _{CPWHL} | Clock Pulse Width High to Low | 0.39 | | 0.39 | | 0.39 | | ns |
| t _{CPWLH} | Clock Pulse Width Low to High | 0.39 | | 0.39 | | 0.39 | | ns |
| t _{WASYN} | Asynchronous Pulse Width | 0.37 | | 0.37 | | 0.37 | | ns |
| t _{REASYN} | Asynchronous Recovery Time | | 0.13 | | 0.15 | | 0.17 | ns |
| t _{HASYN} | Asynchronous Removal Time | | 0.00 | | 0.00 | | 0.00 | ns |
| t _{CLR} | Asynchronous Clear-to-Q | | 0.23 | | 0.27 | | 0.31 | ns |
| t _{PRESET} | Asynchronous Preset-to-Q | | 0.23 | | 0.27 | | 0.31 | ns |

Differential Standards

Physical Implementation

Implementing differential I/O standards requires the configuration of a pair of external I/O pads, resulting in a single internal signal. To facilitate construction of the differential pair, a single I/O Cluster contains the resources for a pair of I/Os. Configuration of the I/O Cluster as a differential pair is handled by Designer software when the user instantiates a differential I/O macro in the design.

Differential I/Os can also be used in conjunction with the embedded Input Register (InReg), Output Register (OutReg), Enable Register (EnReg), and Double Data Rate (DDR). However, there is no support for bidirectional I/Os or tristates with these standards.

LVDS

Low-Voltage Differential Signal (ANSI/TIA/EIA-644) is a high-speed, differential I/O standard. It requires that one data bit is carried through two signal lines, so two pins are needed. It also requires an external resistor termination. The voltage swing between these two signal lines is approximately 350 mV.

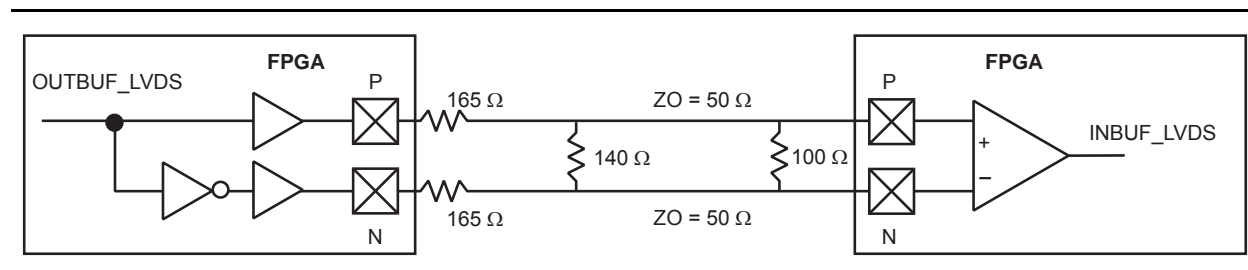


Figure 2-25 • LVDS Board-Level Implementation

The LVDS circuit consists of a differential driver connected to a terminated receiver through a constant-impedance transmission line. The receiver is a wide-common-mode-range differential amplifier. The common-mode range is from 0.2 V to 2.2 V for a differential input with 400 mV swing.

To implement the driver for the LVDS circuit, drivers from two adjacent I/O cells are used to generate the differential signals (note that the driver is not a current-mode driver). This driver provides a nominal constant current of 3.5 mA. When this current flows through a 100 Ω termination resistor on the receiver side, a voltage swing of 350 mV is developed across the resistor. The direction of the current flow is controlled by the data fed to the driver.

An external-resistor network (three resistors) is needed to reduce the voltage swing to about 350 mV. Therefore, four external resistors are required, three for the driver and one for the receiver.

Table 2-56 • DC Input and Output Levels

| DC Parameter | Description | Min. | Typ. | Max. | Units |
|-------------------|-----------------------------|-------|-------|-------|-------|
| VCCI ¹ | Supply Voltage | 2.375 | 2.5 | 2.625 | V |
| VOH | Output High Voltage | 1.25 | 1.425 | 1.6 | V |
| VOL | Output Low Voltage | 0.9 | 1.075 | 1.25 | V |
| VODIFF | Differential Output Voltage | 250 | 350 | 450 | mV |
| VOCM | Output Common Mode Voltage | 1.125 | 1.25 | 1.375 | V |
| VICM2 | Input Common Mode Voltage | 0.2 | 1.25 | 2.2 | V |

Notes:

1. ±5%
2. Differential input voltage = ±350 mV.

Table 2-57 • AC Waveforms, Measuring Points, and Capacitive Loads

| Input Low (V) | Input High (V) | Measuring Point* (V) |
|---------------|----------------|----------------------|
| 1.2 – 0.125 | 1.2 + 0.125 | 1.2 |

Note: * Measuring Point = VTRIP

Timing Characteristics

Table 2-58 • LVDS I/O Module

Worst-Case Commercial Conditions VCCA = 1.425 V, VCCI = 2.3 V, T_J = 70°C

| Parameter | Description | –2 Speed | | –1 Speed | | Std Speed | | Units |
|---------------------------|--|----------|------|----------|------|-----------|------|-------|
| | | Min. | Max. | Min. | Max. | Min. | Max. | |
| LVDS Output Module Timing | | | | | | | | |
| t _{DP} | Input Buffer | | 1.80 | | 2.05 | | 2.41 | ns |
| t _{PY} | Output Buffer | | 2.32 | | 2.64 | | 3.11 | ns |
| t _{CLKQ} | Clock-to-Q for the I/O input register | | 0.67 | | 0.77 | | 0.90 | ns |
| t _{OCLKQ} | Clock-to-Q for the I/O output register and the I/O enable register | | 0.67 | | 0.77 | | 0.90 | ns |
| t _{SUD} | Data Input Set-Up | | 0.23 | | 0.27 | | 0.31 | ns |
| t _{SUE} | Enable Input Set-Up | | 0.26 | | 0.30 | | 0.35 | ns |
| t _{HD} | Data Input Hold | | 0.00 | | 0.00 | | 0.00 | ns |
| t _{HE} | Enable Input Hold | | 0.00 | | 0.00 | | 0.00 | ns |
| t _{CPWHL} | Clock Pulse Width High to Low | 0.39 | | 0.39 | | 0.39 | | ns |
| t _{CPWLH} | Clock Pulse Width Low to High | 0.39 | | 0.39 | | 0.39 | | ns |
| t _{WASYN} | Asynchronous Pulse Width | 0.37 | | 0.37 | | 0.37 | | ns |
| t _{REASYN} | Asynchronous Recovery Time | | 0.13 | | 0.15 | | 0.17 | ns |
| t _{HASYN} | Asynchronous Removal Time | | 0.00 | | 0.00 | | 0.00 | ns |
| t _{CLR} | Asynchronous Clear-to-Q | | 0.23 | | 0.27 | | 0.31 | ns |
| t _{PRESET} | Asynchronous Preset-to-Q | | 0.23 | | 0.27 | | 0.31 | ns |

LVPECL

Low-Voltage Positive Emitter-Coupled Logic (LVPECL) is another differential I/O standard. It requires that one data bit is carried through two signal lines. Like LVDS, two pins are needed. It also requires external resistor termination. The voltage swing between these two signal lines is approximately 850 mV.

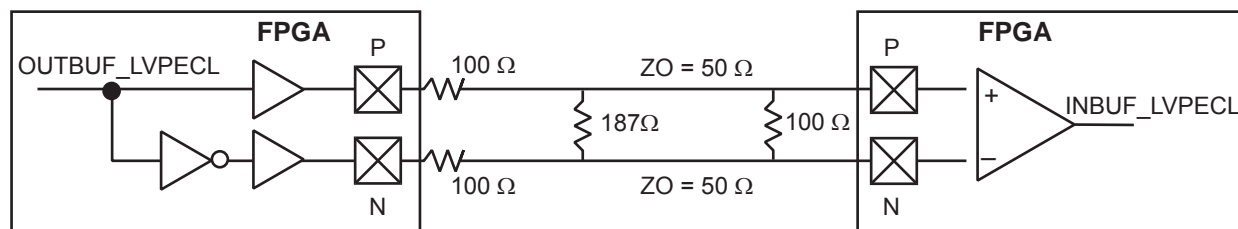


Figure 2-26 • LVPECL Board-Level Implementation

The LVPECL circuit is similar to the LVDS scheme. It requires four external resistors, three for the driver and one for the receiver. The values for the three driver resistors are different from that of LVDS since the output voltage levels are different. Please note that the VOH levels are 200 mV below the standard LVPECL levels.

Table 2-59 • DC Input and Output Levels

| DC Parameter | Min. | | Typ. | | Max. | | Units |
|----------------------------|------|-------|------|-------|------|-------|-------|
| | Min. | Max. | Min. | Max. | Min. | Max. | |
| VCCI | 3 | | 3.3 | | 3.6 | | V |
| VOH | 1.8 | 2.11 | 1.92 | 2.28 | 2.13 | 2.41 | V |
| VOL | 0.96 | 1.27 | 1.06 | 1.43 | 1.3 | 1.57 | V |
| VIH | 1.49 | 2.72 | 1.49 | 2.72 | 1.49 | 2.72 | V |
| VIL | 0.86 | 2.125 | 0.86 | 2.125 | 0.86 | 2.125 | V |
| Differential Input Voltage | 0.3 | | 0.3 | | 0.3 | | V |

Table 2-60 • AC Waveforms, Measuring Points, and Capacitive Loads

| Input Low (V) | Input High (V) | Measuring Point* (V) |
|---------------|----------------|----------------------|
| 1.6 – 0.3 | 1.6 + 0.3 | 1.6 |

Note: * Measuring Point = VTRIP

Timing Characteristics

Table 2-61 • LVPECL I/O Module

Worst-Case Commercial Conditions VCCA = 1.425 V, VCCI = 3.0 V, T_J = 70°C

| Parameter | Description | –2 Speed | | –1 Speed | | Std Speed | | Units |
|------------------------------------|---|----------|------|----------|------|-----------|------|-------|
| | | Min. | Max. | Min. | Max. | Min. | Max. | |
| LVPECL Output Module Timing | | | | | | | | |
| t _{DP} | Input Buffer | | 1.66 | | 1.89 | | 2.22 | ns |
| t _{PY} | Output Buffer | | 2.24 | | 2.55 | | 3.00 | ns |
| t _{CLKQ} | Clock-to-Q for the I/O input register | | 0.67 | | 0.77 | | 0.90 | ns |
| t _{OCLKQ} | Clock-to-Q for the IO output register and the I/O enable register | | 0.67 | | 0.77 | | 0.90 | ns |
| t _{SUD} | Data Input Set-Up | | 0.23 | | 0.27 | | 0.31 | ns |
| t _{SUE} | Enable Input Set-Up | | 0.26 | | 0.30 | | 0.35 | ns |
| t _{HD} | Data Input Hold | | 0.00 | | 0.00 | | 0.00 | ns |
| t _{HE} | Enable Input Hold | | 0.00 | | 0.00 | | 0.00 | ns |
| t _{CPWHL} | Clock Pulse Width High to Low | 0.39 | | 0.39 | | 0.39 | | ns |
| t _{CPWLH} | Clock Pulse Width Low to High | 0.39 | | 0.39 | | 0.39 | | ns |
| t _{WASYN} | Asynchronous Pulse Width | 0.37 | | 0.37 | | 0.37 | | ns |
| t _{REASYN} | Asynchronous Recovery Time | | 0.13 | | 0.15 | | 0.17 | ns |
| t _{HASYN} | Asynchronous Removal Time | | 0.00 | | 0.00 | | 0.00 | ns |
| t _{CLR} | Asynchronous Clear-to-Q | | 0.23 | | 0.27 | | 0.31 | ns |
| t _{PRESET} | Asynchronous Preset-to-Q | | 0.23 | | 0.27 | | 0.31 | ns |

Module Specifications

C-Cell

Introduction

The C-cell is one of the two logic module types in the AX architecture. It is the combinatorial logic resource in the Axcelerator device. The AX architecture implements a new combinatorial cell that is an extension of the C-cell implemented in the SX-A family. The main enhancement of the new C-cell is the addition of carry-chain logic.

The C-cell can be used in a carry-chain mode to construct arithmetic functions. If carry-chain logic is not required, it can be disabled.

The C-cell features the following (Figure 2-27):

- Eight-input MUX (data: D0-D3, select: A0, A1, B0, B1). User signals can be routed to any one of these inputs. Any of the C-cell inputs (D0-D3, A0, A1, B0, B1) can be tied to one of the four routed clocks (CLKE/F/G/H).
- Inverter (DB input) can be used to drive a complement signal of any of the inputs to the C-cell.
- A carry input and a carry output. The carry input signal of the C-cell is the carry output from the C-cell directly to the north.
- Carry connect for carry-chain logic with a signal propagation time of less than 0.1 ns.
- A hardwired connection (direct connect) to the adjacent R-cell (Register Cell) for all C-cells on the east side of a SuperCluster with a signal propagation time of less than 0.1 ns.

This layout of the C-cell (and the C-cell Cluster) enables the implementation of over 4,000 functions of up to five bits. For example, two C-cells can be used together to implement a four-input XOR function in a single cell delay.

The carry-chain configuration is handled automatically for the user with Microsemi's extensive macro library (please see the [Antifuse Macro Library Guide](#) for a complete listing of available Axcelerator macros).

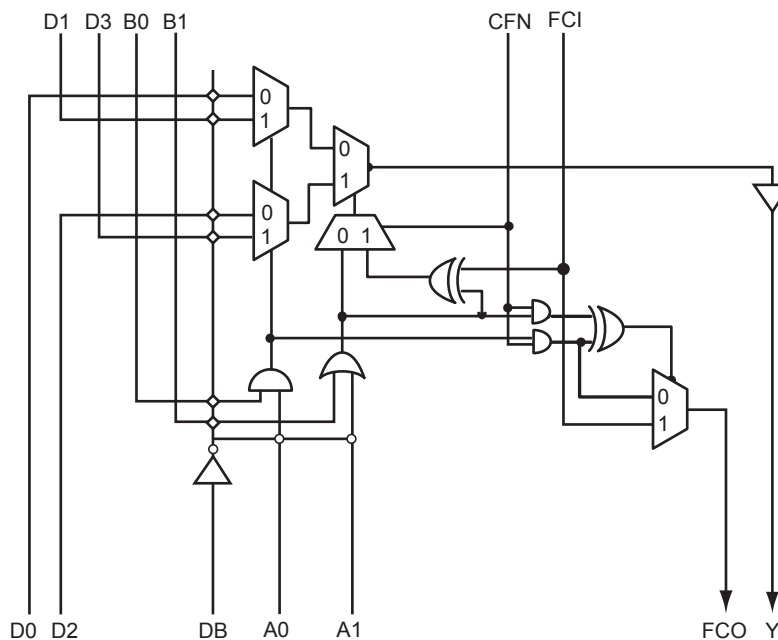


Figure 2-27 • C-Cell

Timing Model and Waveforms

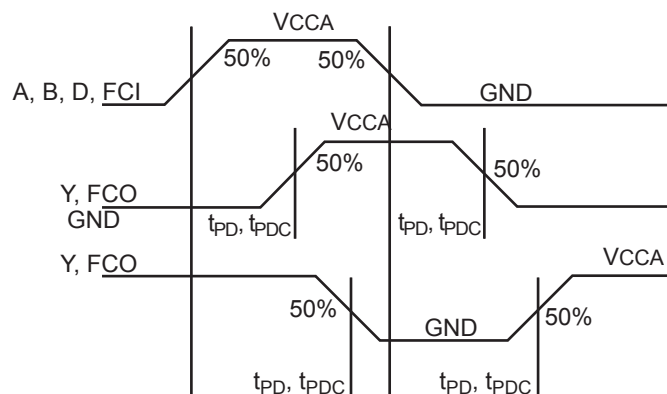


Figure 2-28 • C-Cell Timing Model and Waveforms

Timing Characteristics

Table 2-62 • C-Cell

Worst-Case Commercial Conditions $V_{CCA} = 1.425\text{ V}$, $V_{CCI} = 3.0\text{ V}$, $T_J = 70^\circ\text{C}$

| Parameter | Description | -2 Speed | | -1 Speed | | Std Speed | | Units |
|----------------------------------|--|----------|------|----------|------|-----------|------|-------|
| | | Min. | Max. | Min. | Max. | Min. | Max. | |
| C-Cell Propagation Delays | | | | | | | | |
| t_{PD} | Any input to output Y | | 0.74 | | 0.84 | | 0.99 | ns |
| t_{PDC} | Any input to carry chain output (FCO) | | 0.57 | | 0.64 | | 0.76 | ns |
| t_{PDB} | Any input through DB when one input is used | | 0.95 | | 1.09 | | 1.28 | ns |
| t_{CCY} | Input to carry chain (FCI) to Y | | 0.61 | | 0.69 | | 0.82 | ns |
| t_{CC} | Input to carry chain (FCI) to carry chain output (FCO) | | 0.08 | | 0.09 | | 0.11 | ns |

Carry-Chain Logic

The Axcelerator dedicated carry-chain logic offers a very compact solution for implementing arithmetic functions without sacrificing performance.

To implement the carry-chain logic, two C-cells in a Cluster are connected together so the FCO (i.e. carry out) for the two bits is generated in a carry look-ahead scheme to achieve minimum propagation delay from the FCI (i.e. carry in) into the two-bit Cluster. The two-bit carry logic is shown in [Figure 2-29](#).

The FCI of one C-cell pair is driven by the FCO of the C-cell pair immediately above it. Similarly, the FCO of one C-cell pair, drives the FCI input of the C-cell pair immediately below it ([Figure 1-4 on page 1-3](#) and [Figure 2-30 on page 2-57](#)).

The carry-chain logic is selected via the CFN input. When carry logic is not required, this signal is deasserted to save power. Again, this configuration is handled automatically for the user through Microsemi's macro library.

The signal propagation delay between two C-cells in the carry-chain sequence is 0.1 ns.

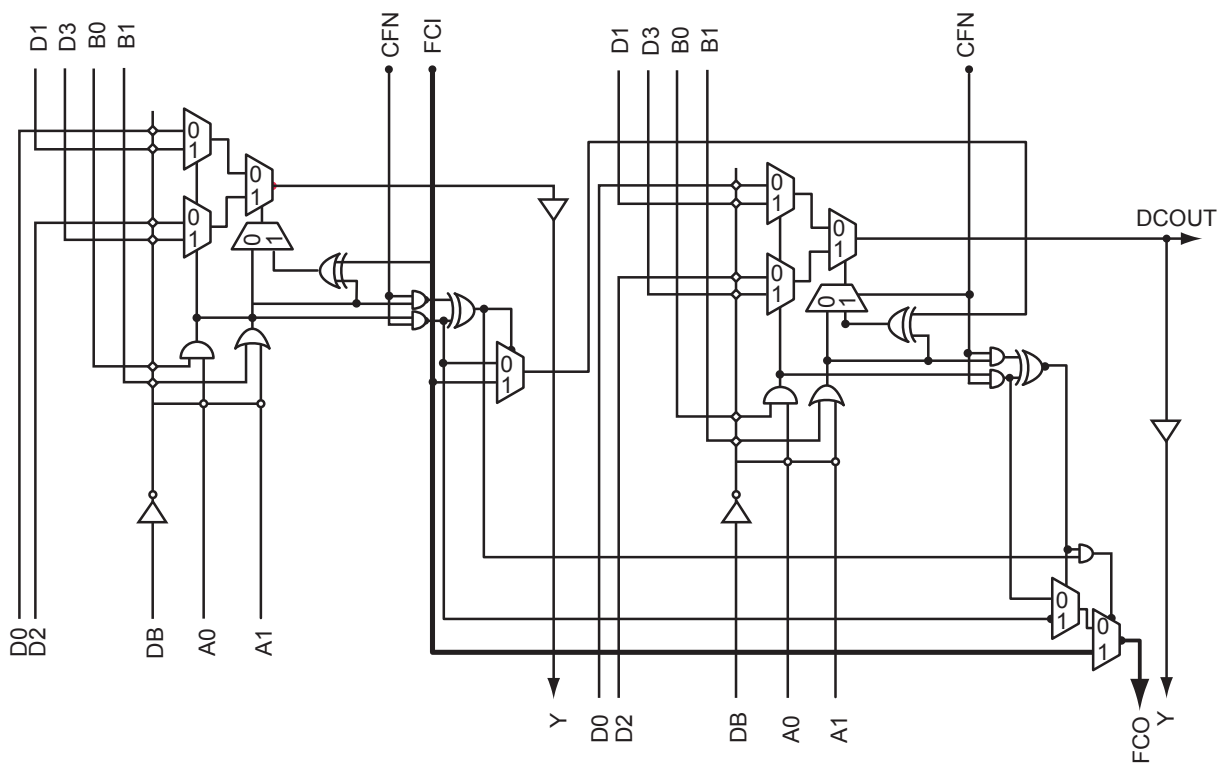
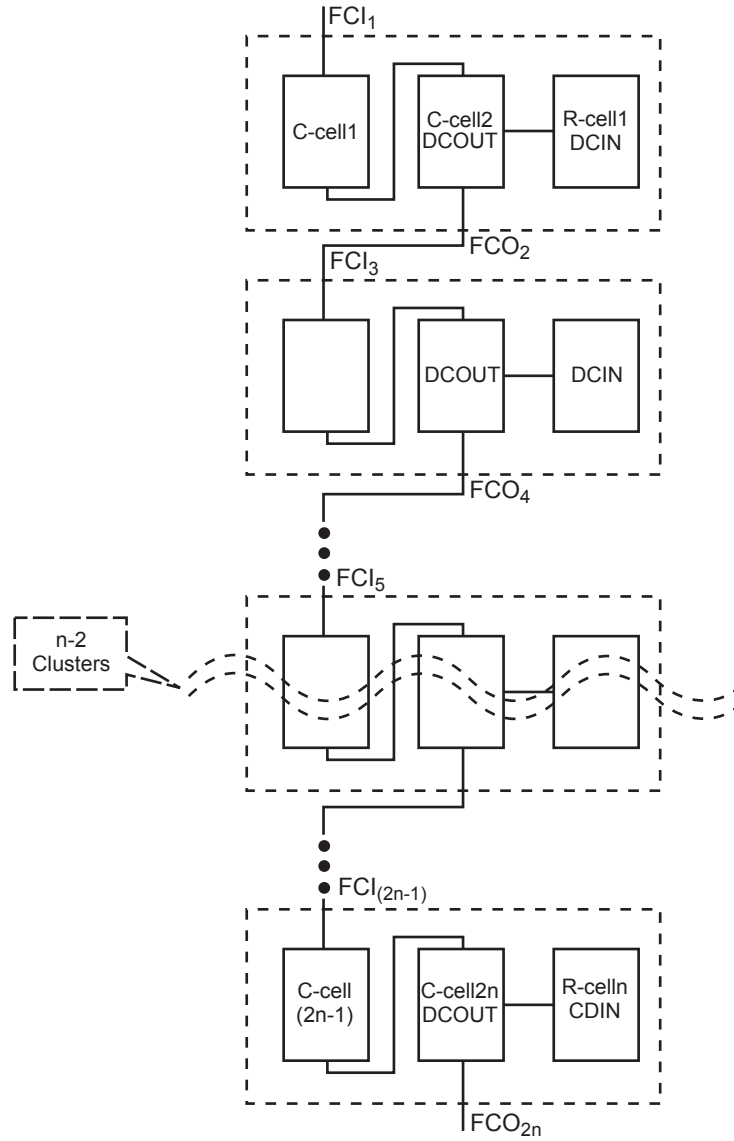


Figure 2-29 • Axcelerator's Two-Bit Carry Logic



Note: The carry-chain sequence can end on either C-cell.

Figure 2-30 • Carry-Chain Sequencing of C-Cells

Timing Characteristics

Refer to [Table 2-62](#) on [page 2-55](#) for more information on carry-chain timing.

R-Cell

Introduction

The R-cell, the sequential logic resource of the Axcelerator devices, is the second logic module type in the AX family architecture. It includes clock inputs for all eight global resources of the Axcelerator architecture as well as global presets and clears (Figure 2-31).

The main features of the R-cell include the following:

- Direct connection to the adjacent logic module through the hardwired connection DCIN. DCIN is driven by the DCOUT of an adjacent C-cell via the Direct-Connect routing resource, providing a connection with less than 0.1 ns of routing delay.
- The R-cell can be used as a standalone flip-flop. It can be driven by any C-cell or I/O modules through the regular routing structure (using DIN as a routable data input). This gives the option of using the R-Cell as a 2:1 MUXed flip-flop as well.
- Provision of data enable-input (S0).
- Independent active-low asynchronous clear (CLR).
- Independent active-low asynchronous preset (PSET). If both CLR and PSET are low, CLR has higher priority.
- Clock can be driven by any of the following (CKP selects clock polarity):
 - One of the four high performance hardwired fast clocks (HCLKs)
 - One of the four routed clocks (CLKs)
 - User signals
- Global power-on clear (GCLR) and preset (GPSET), which drive each flip-flop on a chip-wide basis.
 - When the Global Set Fuse option in the Designer software is unchecked (by default), GCLR = 0 and GPSET = 1 at device power-up. When the option is checked, GCLR = 1 and GPSET = 0. Both pins are pulled High when the device is in user mode. Refer to the "Simulation Support for GCLR/GPSET in Axcelerator" section of the [Antifuse Macro Library Guide](#) for information on simulation support for GCLR and GPSET.
- S0, S1, PSET, and CLR can be driven by routed clocks CLKE/F/G/H or user signals.
- DIN and S1 can be driven by user signals.

As with the C-cell, the configuration of the R-cell to perform various functions is handled automatically for the user through Microsemi's extensive macro library (see the [Antifuse Macro Library Guide](#) for a complete listing of available AX macros).

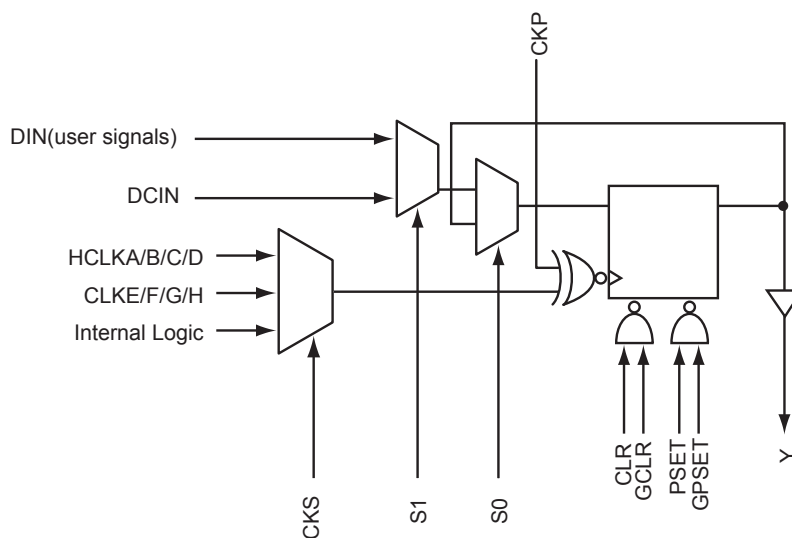


Figure 2-31 • R-Cell

Timing Models and Waveforms

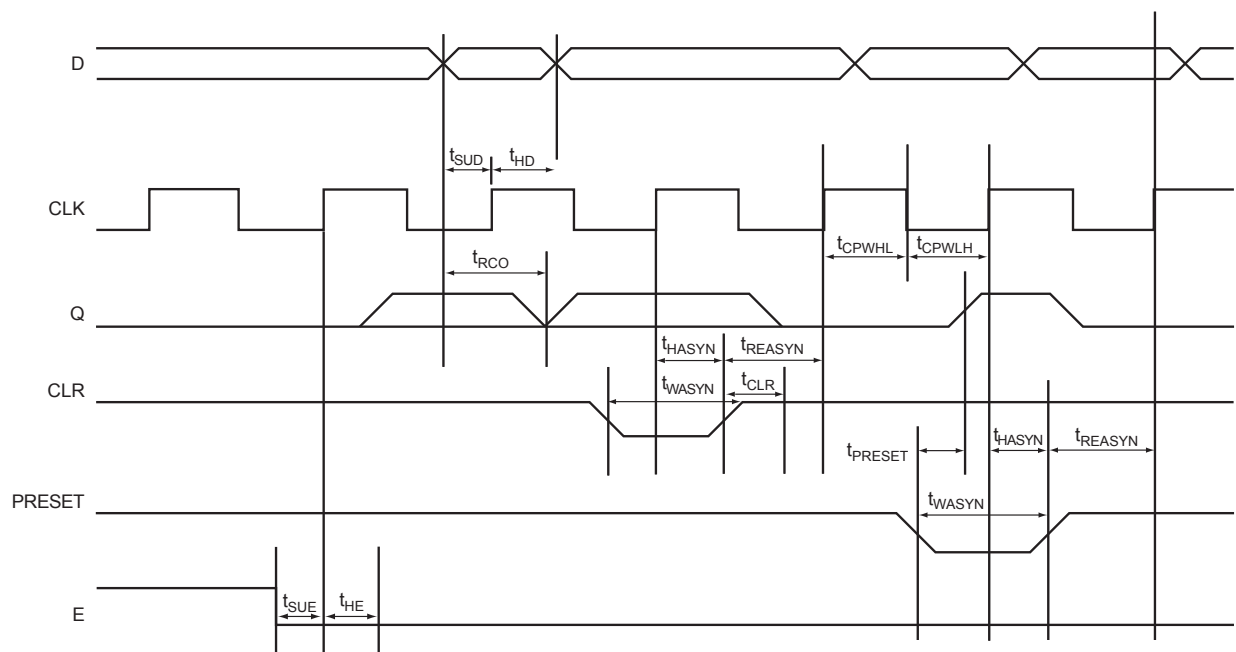


Figure 2-32 • R-Cell Delays

Timing Characteristics

Table 2-63 • R-Cell

Worst-Case Commercial Conditions $V_{CCA} = 1.425\text{ V}$, $V_{CCI} = 3.0\text{ V}$, $T_J = 70^\circ\text{C}$

| Parameter | Description | -2 Speed | | -1 Speed | | Std Speed | | Units |
|----------------------------------|-------------------------------|----------|------|----------|------|-----------|------|-------|
| | | Min. | Max. | Min. | Max. | Min. | Max. | |
| R-Cell Propagation Delays | | | | | | | | |
| t_{RCO} | Sequential Clock-to-Q | | 0.67 | | 0.77 | | 0.90 | ns |
| t_{CLR} | Asynchronous Clear-to-Q | | 0.67 | | 0.77 | | 0.90 | ns |
| t_{PRESET} | Asynchronous Preset-to-Q | | 0.36 | | 0.36 | | 0.36 | ns |
| t_{SUD} | Flip-Flop Data Input Set-Up | | 0.34 | | 0.34 | | 0.34 | ns |
| t_{SUE} | Flip-Flop Enable Input Set-Up | | 0.00 | | 0.00 | | 0.00 | ns |
| t_{HD} | Flip-Flop Data Input Hold | | 0.67 | | 0.77 | | 0.90 | ns |
| t_{HE} | Flip-Flop Enable Input Hold | | 0.67 | | 0.77 | | 0.90 | ns |
| t_{WASYN} | Asynchronous Pulse Width | 0.48 | | 0.48 | | 0.48 | | ns |
| t_{REASYN} | Asynchronous Recovery Time | | 0.23 | | 0.27 | | 0.31 | ns |
| t_{HASYN} | Asynchronous Removal Time | | 0.36 | | 0.36 | | 0.36 | ns |
| t_{CPWHL} | Clock Pulse Width High to Low | 0.36 | | 0.36 | | 0.36 | | ns |
| t_{CPWLH} | Clock Pulse Width Low to High | 0.36 | | 0.36 | | 0.36 | | ns |

Buffer Module

Introduction

An additional resource inside each SuperCluster is the Buffer (B) module (Figure 1-4 on page 1-3). When a fanout constraint is applied to a design, the synthesis tool inserts buffers as needed. The buffer module has been added to the AX architecture to avoid logic duplication resulting from the hard fanout constraints. The router utilizes this logic resource to save area and reduce loading and delays on medium-to-high-fanout nets.

Timing Models and Waveforms

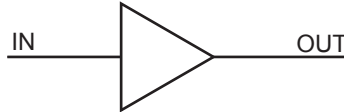


Figure 2-33 • Buffer Module Timing Model

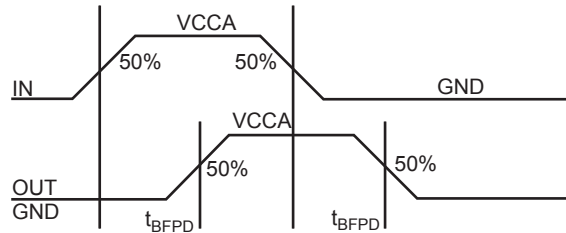


Figure 2-34 • Buffer Module Waveform

Timing Characteristics

Table 2-64 • Buffer Module

Worst-Case Commercial Conditions $V_{CCA} = 1.425\text{ V}$, $V_{CCI} = 3.0\text{ V}$, $T_j = 70^\circ\text{C}$

| Parameter | Description | -2 Speed | | -1 Speed | | Std Speed | | Units |
|---|-----------------------|----------|------|----------|------|-----------|------|-------|
| | | Min. | Max. | Min. | Max. | Min. | Max. | |
| Buffer Module Propagation Delays | | | | | | | | |
| t_{BFPD} | Any input to output Y | | 0.12 | | 0.14 | | 0.16 | ns |

Routing Specifications

Routing Resources

The routing structure found in Accelerator devices enables any logic module to be connected to any other logic module while retaining high performance. There are multiple paths and routing resources that can be used to route one logic module to another, both within a SuperCluster and elsewhere on the chip.

There are four primary types of routing within the AX architecture: DirectConnect, CarryConnect, FastConnect, and Vertical and Horizontal Routing.

DirectConnect

DirectConnects provide a high-speed connection between an R-cell and its adjacent C-cell (Figure 2-35). This connection can be made from DCOUT of the C-cell to DCIN of the R-cell by configuring of the S1 line of the R-cell. This provides a connection that does not require an antifuse and has a delay of less than 0.1 ns.

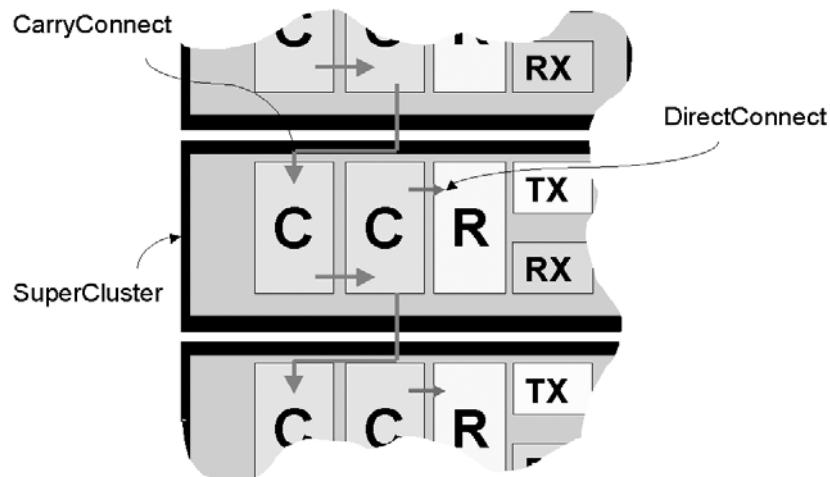


Figure 2-35 • DirectConnect and CarryConnect

CarryConnect

CarryConnects are used to build carry chains for arithmetic functions (Figure 2-35). The FCO output of the right C-cell of a two-C-cell Cluster drives the FCI input of the left C-cell in the two-C-cell Cluster immediately below it. This pattern continues down both sides of each SuperCluster column.

Similar to the DirectConnects, CarryConnects can be built without an antifuse connection. This connection has a delay of less than 0.1 ns from the FCO of one two-C-cell cluster to the FCI of the two-C-cell cluster immediately below it (see the "Carry-Chain Logic" section on page 2-56 for more information).

FastConnect

For high-speed routing of logic signals, FastConnects can be used to build a short distance connection using a single antifuse (Figure 2-36 on page 2-62). FastConnects provide a maximum delay of 0.3 ns. The outputs of each logic module connect directly to the Output Tracks within a SuperCluster. Signals on the Output Tracks can then be routed through a single antifuse connection to drive the inputs of logic modules either within one SuperCluster or in the SuperCluster immediately below it.

Vertical and Horizontal Routing

Vertical and Horizontal Tracks provide both local and long distance routing (Figure 2-37 on page 2-62). These tracks are composed of both short-distance, segmented routing and across-chip routing tracks (segmented at core tile boundaries). The short-distance, segmented routing resources can be concatenated through antifuse connections to build longer routing tracks.

These short-distance routing tracks can be used within and between SuperClusters or between modules of non-adjacent SuperClusters. They can be connected to the Output Tracks and to any logic module input (R-cell, C-cell, Buffer, and TX module).

The across-chip horizontal and vertical routing provides long-distance routing resources. These resources interface with the rest of the routing structures through the RX and TX modules (Figure 2-37). The RX module is used to drive signals from the across-chip horizontal and vertical routing to the Output Tracks within the SuperCluster. The TX module is used to drive vertical and horizontal across-chip routing from either short-distance horizontal tracks or from Output Tracks. The TX module can also be used to drive signals from vertical across-chip tracks to horizontal across-chip tracks and vice versa.

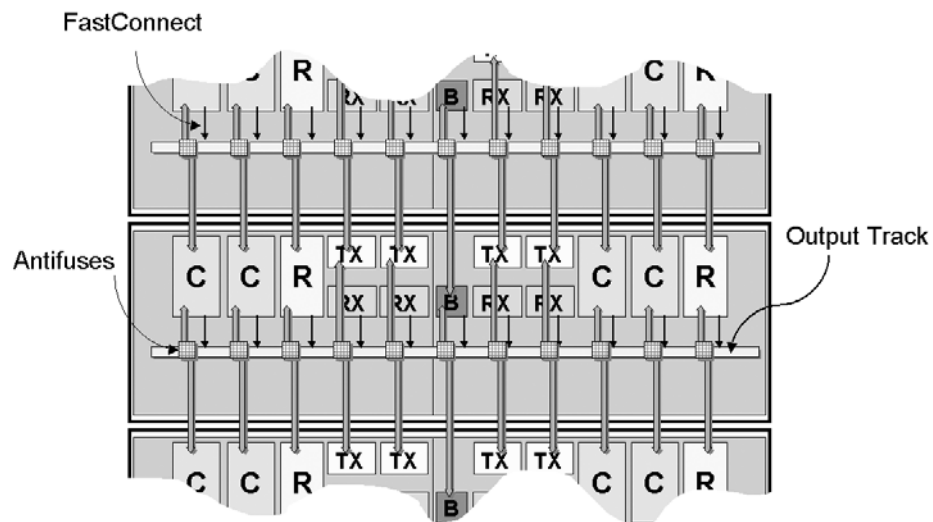


Figure 2-36 • FastConnect Routing

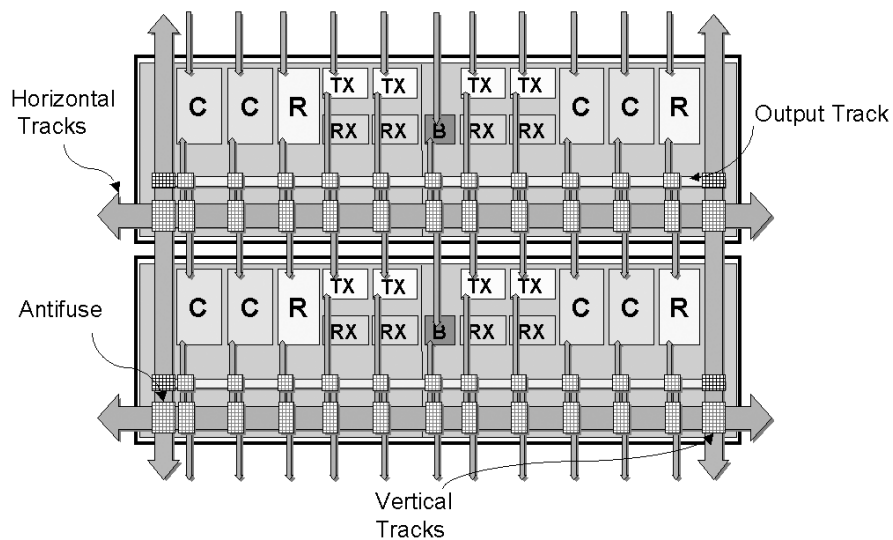


Figure 2-37 • Horizontal and Vertical Tracks

Timing Characteristics

Table 2-65 • AX125 Predicted Routing Delays
Worst-Case Commercial Conditions VCCA = 1.425 V, T_J = 70°C

| | | -2 Speed | -1 Speed | Std Speed | Units |
|---------------------------------|----------------------------------|----------|----------|-----------|-------|
| Parameter | Description | Typical | Typical | Typical | |
| Predicted Routing Delays | | | | | |
| t _{DC} | DirectConnect Routing Delay, FO1 | 0.11 | 0.12 | 0.15 | ns |
| t _{FC} | FastConnect Routing Delay, FO1 | 0.35 | 0.39 | 0.46 | ns |
| t _{RD1} | Routing delay for FO1 | 0.35 | 0.40 | 0.47 | ns |
| t _{RD2} | Routing delay for FO2 | 0.38 | 0.43 | 0.51 | ns |
| t _{RD3} | Routing delay for FO3 | 0.43 | 0.48 | 0.57 | ns |
| t _{RD4} | Routing delay for FO4 | 0.48 | 0.55 | 0.64 | ns |
| t _{RD5} | Routing delay for FO5 | 0.55 | 0.62 | 0.73 | ns |
| t _{RD6} | Routing delay for FO6 | 0.64 | 0.72 | 0.85 | ns |
| t _{RD7} | Routing delay for FO7 | 0.79 | 0.89 | 1.05 | ns |
| t _{RD8} | Routing delay for FO8 | 0.88 | 0.99 | 1.17 | ns |
| t _{RD16} | Routing delay for FO16 | 1.49 | 1.69 | 1.99 | ns |
| t _{RD32} | Routing delay for FO32 | 2.32 | 2.63 | 3.10 | ns |

Table 2-66 • AX250 Predicted Routing Delays
Worst-Case Commercial Conditions VCCA = 1.425 V, T_J = 70°C

| | | -2 Speed | -1 Speed | Std Speed | Units |
|---------------------------------|----------------------------------|----------|----------|-----------|-------|
| Parameter | Description | Typical | Typical | Typical | |
| Predicted Routing Delays | | | | | |
| t _{DC} | DirectConnect Routing Delay, FO1 | 0.11 | 0.12 | 0.15 | ns |
| t _{FC} | FastConnect Routing Delay, FO1 | 0.35 | 0.39 | 0.46 | ns |
| t _{RD1} | Routing delay for FO1 | 0.39 | 0.45 | 0.53 | ns |
| t _{RD2} | Routing delay for FO2 | 0.41 | 0.46 | 0.54 | ns |
| t _{RD3} | Routing delay for FO3 | 0.48 | 0.55 | 0.64 | ns |
| t _{RD4} | Routing delay for FO4 | 0.56 | 0.63 | 0.75 | ns |
| t _{RD5} | Routing delay for FO5 | 0.60 | 0.68 | 0.80 | ns |
| t _{RD6} | Routing delay for FO6 | 0.84 | 0.96 | 1.13 | ns |
| t _{RD7} | Routing delay for FO7 | 0.90 | 1.02 | 1.20 | ns |
| t _{RD8} | Routing delay for FO8 | 1.00 | 1.13 | 1.33 | ns |
| t _{RD16} | Routing delay for FO16 | 2.17 | 2.46 | 2.89 | ns |
| t _{RD32} | Routing delay for FO32 | 3.55 | 4.03 | 4.74 | ns |

Table 2-67 • AX500 Predicted Routing Delays
 Worst-Case Commercial Conditions VCCA = 1.425 V, T_J = 70°C

| | | -2 Speed | -1 Speed | Std Speed | |
|---------------------------------|----------------------------------|----------|----------|-----------|-------|
| Parameter | Description | Typical | Typical | Typical | Units |
| Predicted Routing Delays | | | | | |
| t _{DC} | DirectConnect Routing Delay, FO1 | 0.11 | 0.12 | 0.15 | ns |
| t _{FC} | FastConnect Routing Delay, FO1 | 0.35 | 0.39 | 0.46 | ns |
| t _{RD1} | Routing delay for FO1 | 0.39 | 0.45 | 0.53 | ns |
| t _{RD2} | Routing delay for FO2 | 0.41 | 0.46 | 0.54 | ns |
| t _{RD3} | Routing delay for FO3 | 0.48 | 0.55 | 0.64 | ns |
| t _{RD4} | Routing delay for FO4 | 0.56 | 0.63 | 0.75 | ns |
| t _{RD5} | Routing delay for FO5 | 0.60 | 0.68 | 0.80 | ns |
| t _{RD6} | Routing delay for FO6 | 0.84 | 0.96 | 1.13 | ns |
| t _{RD7} | Routing delay for FO7 | 0.90 | 1.02 | 1.20 | ns |
| t _{RD8} | Routing delay for FO8 | 1.00 | 1.13 | 1.33 | ns |
| t _{RD16} | Routing delay for FO16 | 2.17 | 2.46 | 2.89 | ns |
| t _{RD32} | Routing delay for FO32 | 3.55 | 4.03 | 4.74 | ns |

Table 2-68 • AX1000 Predicted Routing Delays
 Worst-Case Commercial Conditions VCCA = 1.425 V, T_J = 70°C

| | | -2 Speed | -1 Speed | Std Speed | |
|---------------------------------|----------------------------------|----------|----------|-----------|-------|
| Parameter | Description | Typical | Typical | Typical | Units |
| Predicted Routing Delays | | | | | |
| t _{DC} | DirectConnect Routing Delay, FO1 | 0.12 | 0.13 | 0.15 | ns |
| t _{FC} | FastConnect Routing Delay, FO1 | 0.35 | 0.39 | 0.46 | ns |
| t _{RD1} | Routing delay for FO1 | 0.45 | 0.51 | 0.60 | ns |
| t _{RD2} | Routing delay for FO2 | 0.53 | 0.60 | 0.71 | ns |
| t _{RD3} | Routing delay for FO3 | 0.56 | 0.63 | 0.74 | ns |
| t _{RD4} | Routing delay for FO4 | 0.63 | 0.71 | 0.84 | ns |
| t _{RD5} | Routing delay for FO5 | 0.73 | 0.82 | 0.97 | ns |
| t _{RD6} | Routing delay for FO6 | 0.99 | 1.13 | 1.32 | ns |
| t _{RD7} | Routing delay for FO7 | 1.02 | 1.15 | 1.36 | ns |
| t _{RD8} | Routing delay for FO8 | 1.48 | 1.68 | 1.97 | ns |
| t _{RD16} | Routing delay for FO16 | 2.57 | 2.91 | 3.42 | ns |
| t _{RD32} | Routing delay for FO32 | 4.24 | 4.81 | 5.65 | ns |

Table 2-69 • AX2000 Predicted Routing Delays
Worst-Case Commercial Conditions VCCA = 1.425 V, T_J = 70°C

| | | -2 Speed | -1 Speed | Std Speed | |
|---------------------------------|----------------------------------|----------|----------|-----------|-------|
| Parameter | Description | Typical | Typical | Typical | Units |
| Predicted Routing Delays | | | | | |
| t _{DC} | DirectConnect Routing Delay, FO1 | 0.12 | 0.13 | 0.15 | ns |
| t _{FC} | FastConnect Routing Delay, FO1 | 0.35 | 0.39 | 0.46 | ns |
| t _{RD1} | Routing delay for FO1 | 0.50 | 0.56 | 0.66 | ns |
| t _{RD2} | Routing delay for FO2 | 0.59 | 0.67 | 0.79 | ns |
| t _{RD3} | Routing delay for FO3 | 0.70 | 0.80 | 0.94 | ns |
| t _{RD4} | Routing delay for FO4 | 0.76 | 0.87 | 1.02 | ns |
| t _{RD5} | Routing delay for FO5 | 0.98 | 1.11 | 1.31 | ns |
| t _{RD6} | Routing delay for FO6 | 1.48 | 1.68 | 1.97 | ns |
| t _{RD7} | Routing delay for FO7 | 1.65 | 1.87 | 2.20 | ns |
| t _{RD8} | Routing delay for FO8 | 1.73 | 1.96 | 2.31 | ns |
| t _{RD16} | Routing delay for FO16 | 2.58 | 2.92 | 3.44 | ns |
| t _{RD32} | Routing delay for FO32 | 4.24 | 4.81 | 5.65 | ns |

Global Resources

One of the most important aspects of any FPGA architecture is its global resources or clocks. The Axcelerator family provides the user with flexible and easy-to-use global resources, without the limitations normally found in other FPGA architectures.

The AX architecture contains two types of global resources, the HCLK (hardwired clock) and CLK (routed clock). Every Axcelerator device is provided with four HCLKs and four CLKs for a total of eight clocks, regardless of device density.

Hardwired Clocks

The hardwired (HCLK) is a low-skew network that can directly drive the clock inputs of all sequential modules (R-cells, I/O registers, and embedded RAM/FIFOs) in the device with no antifuse in the path. All four HCLKs are available everywhere on the chip.

Timing Characteristics

Table 2-70 • AX125 Dedicated (Hardwired) Array Clock Networks
 Worst-Case Commercial Conditions $V_{CCA} = 1.425\text{ V}$, $V_{CCI} = 3.0\text{ V}$, $T_J = 70^\circ\text{C}$

| Parameter | Description | -2 Speed | | -1 Speed | | Std Speed | | Units |
|---|--------------------------|----------|------|----------|------|-----------|------|-------|
| | | Min. | Max. | Min. | Max. | Min. | Max. | |
| Dedicated (Hardwired) Array Clock Networks | | | | | | | | |
| t_{HCKL} | Input Low to High | | 3.02 | | 3.44 | | 4.05 | ns |
| t_{HCKH} | Input High to Low | | 3.03 | | 3.46 | | 4.06 | ns |
| t_{HPWH} | Minimum Pulse Width High | 0.58 | | 0.65 | | 0.77 | | ns |
| t_{HPWL} | Minimum Pulse Width Low | 0.52 | | 0.59 | | 0.69 | | ns |
| t_{HCKSW} | Maximum Skew | | 0.06 | | 0.07 | | 0.08 | ns |
| t_{HP} | Minimum Period | 1.15 | | 1.31 | | 1.54 | | ns |
| t_{HMAX} | Maximum Frequency | | 870 | | 763 | | 649 | MHz |

Table 2-71 • AX250 Dedicated (Hardwired) Array Clock Networks
 Worst-Case Commercial Conditions $V_{CCA} = 1.425\text{ V}$, $V_{CCI} = 3.0\text{ V}$, $T_J = 70^\circ\text{C}$

| Parameter | Description | -2 Speed | | -1 Speed | | Std Speed | | Units |
|---|--------------------------|----------|------|----------|------|-----------|------|-------|
| | | Min. | Max. | Min. | Max. | Min. | Max. | |
| Dedicated (Hardwired) Array Clock Networks | | | | | | | | |
| t_{HCKL} | Input Low to High | | 2.57 | | 2.93 | | 3.45 | ns |
| t_{HCKH} | Input High to Low | | 2.61 | | 2.97 | | 3.50 | ns |
| t_{HPWH} | Minimum Pulse Width High | 0.58 | | 0.65 | | 0.77 | | ns |
| t_{HPWL} | Minimum Pulse Width Low | 0.52 | | 0.59 | | 0.69 | | ns |
| t_{HCKSW} | Maximum Skew | | 0.06 | | 0.07 | | 0.08 | ns |
| t_{HP} | Minimum Period | 1.15 | | 1.31 | | 1.54 | | ns |
| t_{HMAX} | Maximum Frequency | | 870 | | 763 | | 649 | MHz |

Table 2-72 • AX500 Dedicated (Hardwired) Array Clock Networks
Worst-Case Commercial Conditions VCCA = 1.425 V, VCCI = 3.0 V, T_J = 70°C

| | | -2 Speed | | -1 Speed | | Std Speed | | |
|---|--------------------------|----------|------|----------|------|-----------|------|-------|
| Parameter | Description | Min. | Max. | Min. | Max. | Min. | Max. | Units |
| Dedicated (Hardwired) Array Clock Networks | | | | | | | | |
| t _{HCKL} | Input Low to High | | 2.35 | | 2.68 | | 3.15 | ns |
| t _{HCKH} | Input High to Low | | 2.44 | | 2.79 | | 3.27 | ns |
| t _{HPWH} | Minimum Pulse Width High | 0.58 | | 0.65 | | 0.77 | | ns |
| t _{HPWL} | Minimum Pulse Width Low | 0.52 | | 0.59 | | 0.69 | | ns |
| t _{HCKSW} | Maximum Skew | | 0.06 | | 0.07 | | 0.08 | ns |
| t _{HP} | Minimum Period | 1.15 | | 1.31 | | 1.54 | | ns |
| t _{HMAX} | Maximum Frequency | | 870 | | 763 | | 649 | MHz |

Table 2-73 • AX1000 Dedicated (Hardwired) Array Clock Networks
Worst-Case Commercial Conditions VCCA = 1.425 V, VCCI = 3.0 V, T_J = 70°C

| | | -2 Speed | | -1 Speed | | Std Speed | | |
|---|--------------------------|----------|------|----------|------|-----------|------|-------|
| Parameter | Description | Min. | Max. | Min. | Max. | Min. | Max. | Units |
| Dedicated (Hardwired) Array Clock Networks | | | | | | | | |
| t _{HCKL} | Input Low to High | | 3.02 | | 3.44 | | 4.05 | ns |
| t _{HCKH} | Input High to Low | | 3.03 | | 3.46 | | 4.06 | ns |
| t _{HPWH} | Minimum Pulse Width High | 0.58 | | 0.65 | | 0.77 | | ns |
| t _{HPWL} | Minimum Pulse Width Low | 0.52 | | 0.59 | | 0.69 | | ns |
| t _{HCKSW} | Maximum Skew | | 0.06 | | 0.07 | | 0.08 | ns |
| t _{HP} | Minimum Period | 1.15 | | 1.31 | | 1.54 | | ns |
| t _{HMAX} | Maximum Frequency | | 870 | | 763 | | 649 | MHz |

Table 2-74 • AX2000 Dedicated (Hardwired) Array Clock Networks
Worst-Case Commercial Conditions VCCA = 1.425 V, VCCI = 3.0 V, T_J = 70°C

| | | -2 Speed | | -1 Speed | | Std Speed | | |
|---|--------------------------|----------|------|----------|------|-----------|------|-------|
| Parameter | Description | Min. | Max. | Min. | Max. | Min. | Max. | Units |
| Dedicated (Hardwired) Array Clock Networks | | | | | | | | |
| t _{HCKL} | Input Low to High | | 3.02 | | 3.44 | | 4.05 | ns |
| t _{HCKH} | Input High to Low | | 3.03 | | 3.46 | | 4.06 | ns |
| t _{HPWH} | Minimum Pulse Width High | 0.58 | | 0.65 | | 0.77 | | ns |
| t _{HPWL} | Minimum Pulse Width Low | 0.52 | | 0.59 | | 0.69 | | ns |
| t _{HCKSW} | Maximum Skew | | 0.06 | | 0.07 | | 0.08 | ns |
| t _{HP} | Minimum Period | 1.15 | | 1.31 | | 1.54 | | ns |
| t _{HMAX} | Maximum Frequency | | 870 | | 763 | | 649 | MHz |

Routed Clocks

The routed clock (CLK) is a low-skew network that can drive the clock inputs of all sequential modules in the device (logically equivalent to the HCLK), but has the added flexibility in that it can drive the S0 (Enable), S1, PSET, and CLR input of a register (R-cells and I/O registers) as well as any of the inputs of any C-cell in the device. This allows CLKs to be used not only as clocks, but also for other global signals or high fanout nets. All four CLKs are available everywhere on the chip.

Timing Characteristics

Table 2-75 • AX125 Routed Array Clock Networks

Worst-Case Commercial Conditions VCCA = 1.425 V, VCCI = 3.0 V, T_J = 70°C

| Parameter | Description | –2 Speed | | –1 Speed | | Std Speed | | Units |
|------------------------------------|--------------------------|----------|------|----------|------|-----------|------|-------|
| | | Min. | Max. | Min. | Max. | Min. | Max. | |
| Routed Array Clock Networks | | | | | | | | |
| t _{RCKL} | Input Low to High | | 3.08 | | 3.50 | | 4.12 | ns |
| t _{RCKH} | Input High to Low | | 3.13 | | 3.56 | | 4.19 | ns |
| t _{RPWH} | Minimum Pulse Width High | 0.57 | | 0.64 | | 0.75 | | ns |
| t _{RPWL} | Minimum Pulse Width Low | 0.52 | | 0.59 | | 0.69 | | ns |
| t _{RCKSW} | Maximum Skew | | 0.35 | | 0.39 | | 0.46 | ns |
| t _{RP} | Minimum Period | 1.15 | | 1.31 | | 1.54 | | ns |
| t _{RMAX} | Maximum Frequency | | 870 | | 763 | | 649 | MHz |

Table 2-76 • AX250 Routed Array Clock Networks

Worst-Case Commercial Conditions VCCA = 1.425 V, VCCI = 3.0 V, T_J = 70°C

| Parameter | Description | –2 Speed | | –1 Speed | | Std Speed | | Units |
|------------------------------------|--------------------------|----------|------|----------|------|-----------|------|-------|
| | | Min. | Max. | Min. | Max. | Min. | Max. | |
| Routed Array Clock Networks | | | | | | | | |
| t _{RCKL} | Input Low to High | | 2.52 | | 2.87 | | 3.37 | ns |
| t _{RCKH} | Input High to Low | | 2.59 | | 2.95 | | 3.47 | ns |
| t _{RPWH} | Minimum Pulse Width High | 0.57 | | 0.64 | | 0.75 | | ns |
| t _{RPWL} | Minimum Pulse Width Low | 0.52 | | 0.59 | | 0.69 | | ns |
| t _{RCKSW} | Maximum Skew | | 0.35 | | 0.39 | | 0.46 | ns |
| t _{RP} | Minimum Period | 1.15 | | 1.31 | | 1.54 | | ns |
| t _{RMAX} | Maximum Frequency | | 870 | | 763 | | 649 | MHz |

Table 2-77 • AX500 Routed Array Clock Networks
Worst-Case Commercial Conditions VCCA = 1.425 V, VCCI = 3.0 V, T_J = 70°C

| | | -2 Speed | | -1 Speed | | Std Speed | | |
|------------------------------------|--------------------------|----------|------|----------|------|-----------|------|-------|
| Parameter | Description | Min. | Max. | Min. | Max. | Min. | Max. | Units |
| Routed Array Clock Networks | | | | | | | | |
| t _{RCKL} | Input Low to High | | 2.31 | | 2.63 | | 3.09 | ns |
| t _{RCKH} | Input High to Low | | 2.44 | | 2.78 | | 3.27 | ns |
| t _{RPWH} | Minimum Pulse Width High | 0.57 | | 0.64 | | 0.75 | | ns |
| t _{RPWL} | Minimum Pulse Width Low | 0.52 | | 0.59 | | 0.69 | | ns |
| t _{RCKSW} | Maximum Skew | | 0.35 | | 0.39 | | 0.46 | ns |
| t _{RP} | Minimum Period | 1.15 | | 1.31 | | 1.54 | | ns |
| t _{RMAX} | Maximum Frequency | | 870 | | 763 | | 649 | MHz |

Table 2-78 • AX1000 Routed Array Clock Networks
Worst-Case Commercial Conditions VCCA = 1.425 V, VCCI = 3.0 V, T_J = 70°C

| | | -2 Speed | | -1 Speed | | Std Speed | | |
|------------------------------------|--------------------------|----------|------|----------|------|-----------|------|-------|
| Parameter | Description | Min. | Max. | Min. | Max. | Min. | Max. | Units |
| Routed Array Clock Networks | | | | | | | | |
| t _{RCKL} | Input Low to High | | 3.08 | | 3.50 | | 4.12 | ns |
| t _{RCKH} | Input High to Low | | 3.13 | | 3.56 | | 4.19 | ns |
| t _{RPWH} | Minimum Pulse Width High | 0.57 | | 0.64 | | 0.75 | | ns |
| t _{RPWL} | Minimum Pulse Width Low | 0.52 | | 0.59 | | 0.69 | | ns |
| t _{RCKSW} | Maximum Skew | | 0.35 | | 0.39 | | 0.46 | ns |
| t _{RP} | Minimum Period | 1.15 | | 1.31 | | 1.54 | | ns |
| t _{RMAX} | Maximum Frequency | | 870 | | 763 | | 649 | MHz |

Table 2-79 • AX2000 Routed Array Clock Networks
Worst-Case Commercial Conditions VCCA = 1.425 V, VCCI = 3.0 V, T_J = 70°C

| | | -2 Speed | | -1 Speed | | Std Speed | | |
|------------------------------------|--------------------------|----------|------|----------|------|-----------|------|-------|
| Parameter | Description | Min. | Max. | Min. | Max. | Min. | Max. | Units |
| Routed Array Clock Networks | | | | | | | | |
| t _{RCKL} | Input Low to High | | 3.08 | | 3.50 | | 4.12 | ns |
| t _{RCKH} | Input High to Low | | 3.13 | | 3.56 | | 4.19 | ns |
| t _{RPWH} | Minimum Pulse Width High | 0.57 | | 0.64 | | 0.75 | | ns |
| t _{RPWL} | Minimum Pulse Width Low | 0.52 | | 0.59 | | 0.69 | | ns |
| t _{RCKSW} | Maximum Skew | | 0.35 | | 0.39 | | 0.46 | ns |
| t _{RP} | Minimum Period | 1.15 | | 1.31 | | 1.54 | | ns |
| t _{RMAX} | Maximum Frequency | | 870 | | 763 | | 649 | MHz |

Global Resource Distribution

At the root of each global resource is a PLL. There are two groups of four PLLs for every device. One group, located at the center of the north edge (in the I/O ring) of the chip, sources the four HCLKs. The second group, located at the center of the south edge (again in the I/O ring), sources the four CLKs (Figure 2-38).

Regardless of the type of global resource, HCLK or CLK, each of the eight resources reach the ClockTileDist (CTD) Cluster located at the center of every core tile with zero skew. From the ClockTileDist Cluster, all four HCLKs and four CLKs are distributed through the core tile (Figure 2-39).

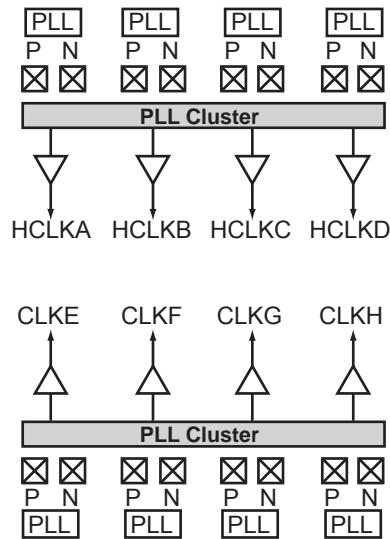


Figure 2-38 • PLL Group

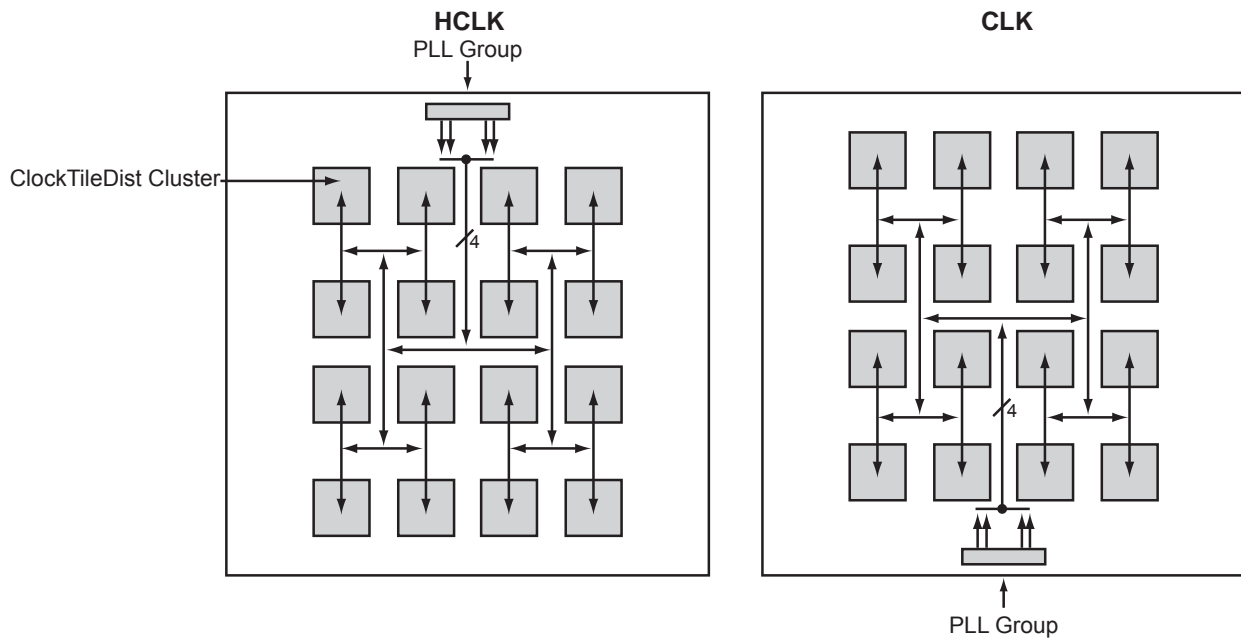


Figure 2-39 • Example of HCLK and CLK Distributions on the AX2000

The ClockTileDist Cluster contains an HCLKMux (HM) module for each of the four HCLK trees and a CLKMux (CM) module for each of the CLK trees. The HCLK branches then propagate horizontally through the middle of the core tile to HCLKColDist (HD) modules in every SuperCluster column. The CLK branches propagate vertically through the center of the core tile to CLKRowDist (RD) modules in every SuperCluster row. Together, the HCLK and CLK branches provide for a low-skew global fanout within the core tile (Figure 2-40 and Figure 2-41).

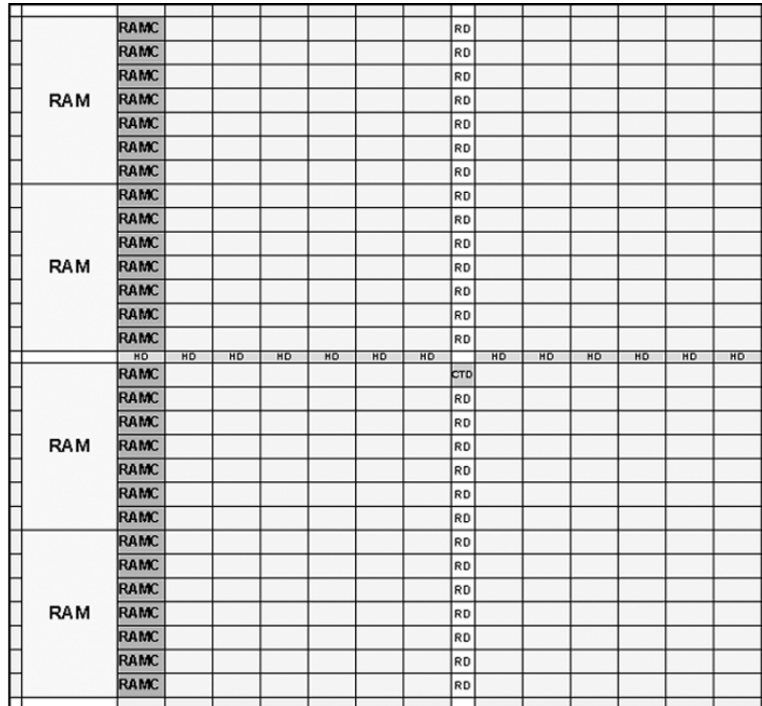


Figure 2-40 • CTD, CD, and HD Module Layout

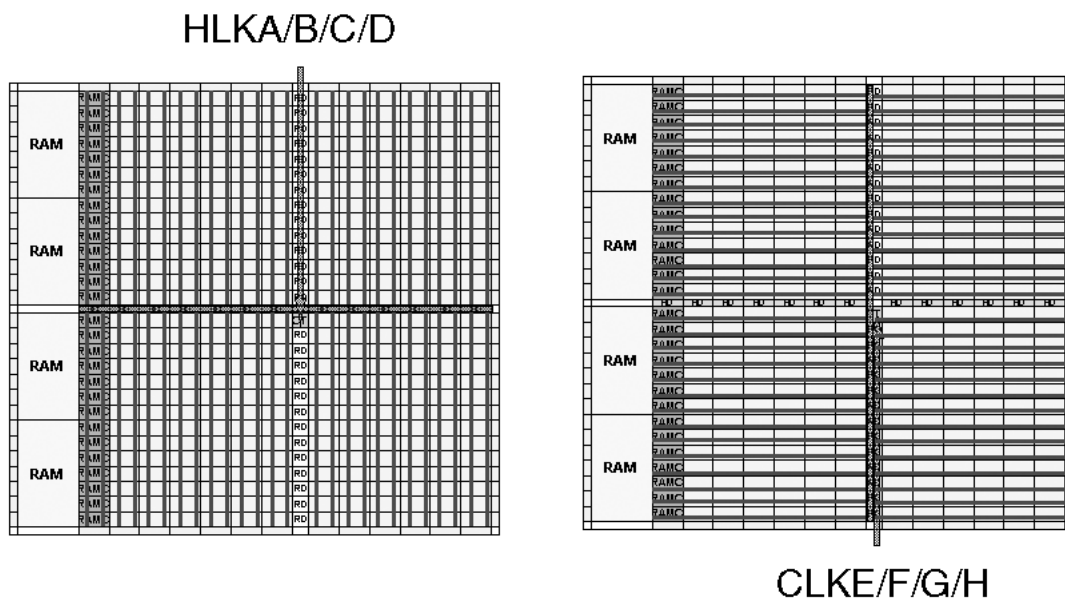


Figure 2-41 • HCLK and CLK Distribution within a Core Tile

The HM and CM modules can select between:

- The HCLK or CLK source respectively
- A local signal routed on generic routing resources

This allows each core tile to have eight clocks independent of the other core tiles in the device.

Both HCLK and CLK are segmentable, meaning that individual branches of the global resource can be used independently.

Like the HM and CM modules, the HD and RD modules can select between:

- The HCLK or CLK source from the HM or CM module respectively
- A local signal routed on generic routing resources

The AX architecture is capable of supporting a large number of local clocks—24 segments per HCLK driving north-south and 28 segments per CLK driving east-west per core tile.

Microsemi's Designer software's place-and-route takes advantage of the segmented clock structure found in Axcelerator devices by turning off any unused clock segments. This results in not only better performance but also lower power consumption.

Global Resource Access Macros

Global resources can be driven by one of three sources: external pad(s), an internal net, or the output of a PLL. These connections can be made by using one of three types of macros: CLKBUF, CLKINT, and PLLCLK.

CLKBUF and HCLKBUF

CLKBUF (HCLKBUF) is used to drive a CLK (HCLK) from external pads. These macros can be used either generically or with the specific I/O standard desired (e.g. CLKBUF_LVCMOS25, HCLKBUF_LVDS, etc.) (Figure 2-42).

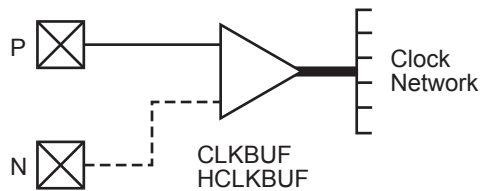


Figure 2-42 • CLKBUF and HCLKBUF

Package pins CLKEP and CLKEN are associated with CLKE; package pins HCLKAP and HCLKAN are associated with HCLKA, etc.

Note that when CLKBUF (HCLKBUF) is used with a single-ended I/O standard, it must be tied to the P-pad of the CLK (HCLK) package pin. In this case, the CLK (HCLK) N-pad can be used for user signals.

CLKINT and HCLKINT

CLKINT (HCLKINT) is used to access the CLK (HCLK) resource internally from the user signals (Figure 2-43).

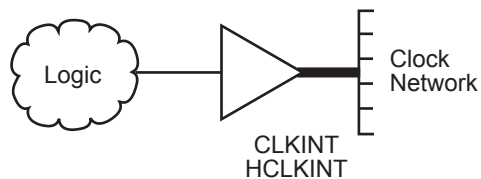


Figure 2-43 • CLKINT and HCLKINT

PLLCLK and PLLHCLK

PLLCLK (PLLHCLK) is used to drive global resource CLK (HCLK) from a PLL (Figure 2-44).

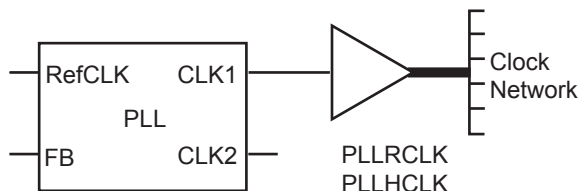


Figure 2-44 • PLLRCLK and PLLHCLK

Using Global Resources with PLLs

Each global resource has an associated PLL at its root. For example, PLLA can drive HCLKA, PLLE can drive CLKE, etc. (Figure 2-45).

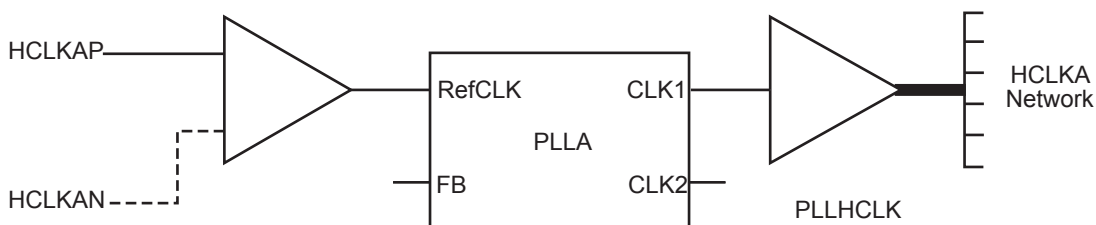


Figure 2-45 • Example of HCLKA Driven from a PLL with External Clock Source

In addition, each clock pin of the package can be used to drive either its associated global resource or PLL. For example, package pins CLKEP and CLKEN can drive either the RefCLK input of PLLE or CLKE.

There are two macros required when interfacing the embedded PLLs with the global resources: PLLINT and PLLOUT.

PLLINT

This macro is used to drive the RefCLK input of the PLL internally from user signals.

PLLOUT

This macro is used to connect either the CLK1 or CLK2 output of a PLL to the regular routing network (Figure 2-46).

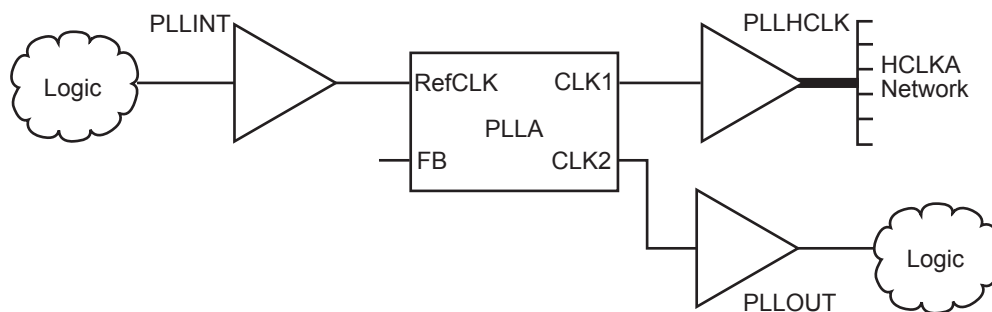


Figure 2-46 • Example of PLLINT and PLLOUT Usage

Implementation Example:

Figure 2-47 shows a complex clock distribution example. The reference clock (RefCLK) of PLLE is being sourced from non-clock signal pins (INBUF to PLLINT). The CLK1 output of PLLE is being fed to the RefCLK input of PLLF. The CLK2 output of PLLE is driving logic (via PLLOUT). In turn, this logic is driving the global resource CLKE. PLLF is driving both CLKF and CLKG global resources.

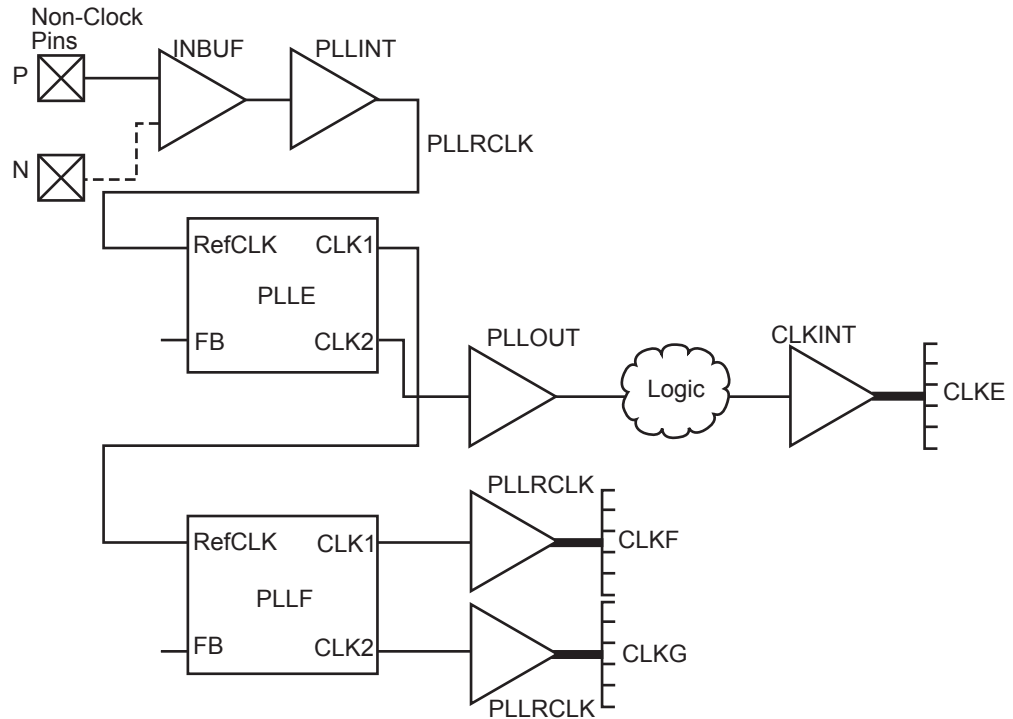


Figure 2-47 • Complex Clock Distribution Example

Axcelerator Clock Management System

Introduction

Each member of the Axcelerator family⁶ contains eight phase-locked loop (PLL) blocks which perform the following functions:

- Programmable Delay (32 steps of 250 ps)
- Clock Skew Minimization
- Clock Frequency Synthesis

Each PLL has the following key features:

- Input Frequency Range – 14 to 200 MHz
- Output Frequency Range – 20 MHz to 1 GHz
- Output Duty Cycle Range – 45% to 55%
- Maximum Long-Term Jitter – 1% or 100ps (whichever is greater)
- Maximum Short-Term Jitter – 50ps + 1% of Output Frequency
- Maximum Acquisition Time (lock) – 20 μ s

Physical Implementation

The eight PLL blocks are arranged in two groups of four. One group is located in the center of the northern edge of the chip, while the second group is centered on the southern edge. The northern group is associated with the four HCLK networks (e.g. PLLA can drive HCLKA), while the southern group is associated with the four CLK networks (e.g. PLLE can drive CLKE).

Each PLL cell is connected to two I/O pads and a PLL Cluster that interfaces with the FPGA core. [Figure 2-48](#) illustrates a PLL block. The VCCPLL pin should be connected to a 1.5V power supply through a 250 Ω resistor. Furthermore, 0.1 μ F and 10 μ F decoupling capacitors should be connected across the VCCPLL and VCOMPPLL pins.

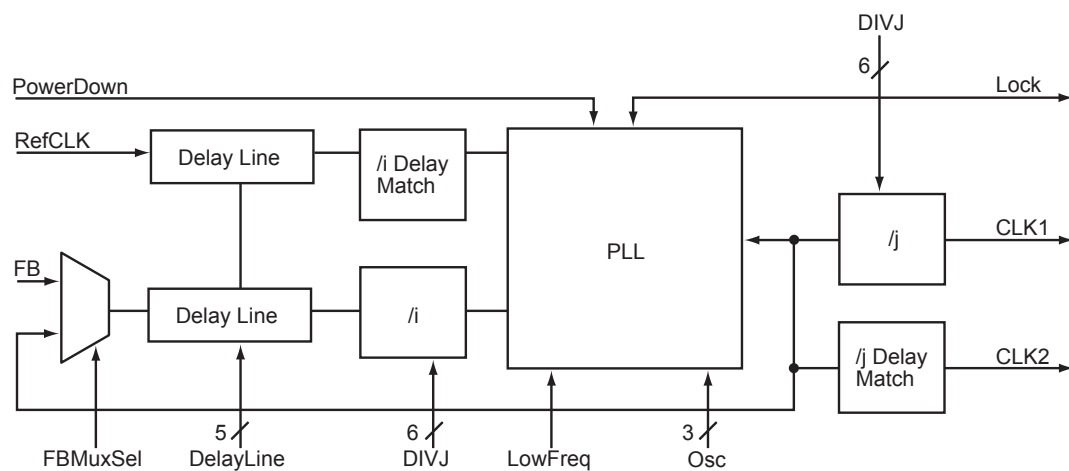


Figure 2-48 • PLL Block Diagram

Note: The VCOMPPLL pin should never be grounded ([Figure 2-2 on page 2-9](#))!

The I/O pads associated with the PLL can also be configured for regular I/O functions except when it is used as a clock buffer. The I/O pads can be configured in all the modes available to the regular I/O pads in the same I/O bank. In particular, the [H]CLKxP pad can be configured as a differential pair,

6. AX2000-CQ256 does not support operation of the phase-locked loops. This is in order to support full pin compatibility with RTAX2000S/SL-CQ256.

single-ended, or voltage-referenced standard. The [H]CLKxN pad can only be used as a differential pair with [H]CLKxP.

The block marked “i Delay Match” is a fixed delay equal to that of the i divider. The “j Delay Match” block has the same function as its j divider counterpart.

Functional Description

Figure 2-48 on page 2-75 illustrates a block diagram of the PLL. The PLL contains two dividers, i and j, that allow frequency scaling of the clock signal:

- The i divider in the feedback path allows multiplication of the input clock by integer factors ranging from 1 to 64, and the resultant frequency is available at the output of the PLL block.
- The j divider divides the PLL output by integer factors ranging from 1 to 64, and the divided clock is available at CLK1.
- The two dividers together can implement any combination of multiplication and division up to a maximum frequency of 1 GHz on CLK1. Both the CLK1 and CLK2 outputs have a fixed 50/50 duty cycle.
- The output frequencies of the two clocks are given by the following formulas (f_{REF} is the reference clock frequency):

$$f_{CLK1} = f_{REF} * (DividerI) / (DividerJ)$$

EQ 4

$$f_{CLK2} = f_{REF} * (DividerI)$$

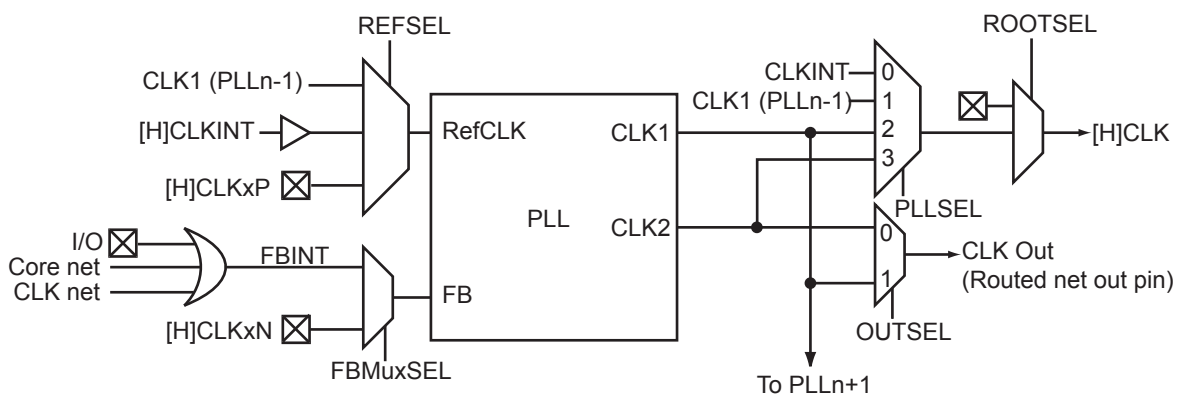
EQ 5

- CLK2 provides the PLL output directly—without division

The input and output frequency ranges are selected by LowFreq and Osc(2:0), respectively. These functions and their possible values are detailed in Table 2-80 on page 2-77.

The delay lines shown in Figure 2-48 on page 2-75 are programmable. The feedback clock path can be delayed (using the five DelayLine bits) relative to the reference clock (or vice versa) by up to 3.75 ns in increments of 250 ps. Table 2-80 on page 2-77 describes the usage of these bits. The delay increments are independent of frequency, so this results in phase changes that vary with frequency. The delay value is highly dependent on V_{CC} and the speed grade.

Figure 2-49 is a logical diagram of the various control signals to the PLL and shows how the PLL interfaces with the global and routing networks of the FPGA. Note that not all signals are user-accessible. These non-user-accessible signals are used by the place-and-route tool to control the configuration of the PLL. The user gains access to these control signals either based upon the connections built in the user's design or through the special macros (Table 2-84 on page 2-81) inserted into the design. For example, connecting the macro PLLOUT to CLK2 will control the OUTSEL signal.



Note: Not all signals are available to the user.

Figure 2-49 • PLL Logical Interface

Table 2-80 • PLL Interface Signals

| Signal Name | Type | User Accessible | Allowable Values | Function |
|----------------|--------|-----------------|--|--|
| RefCLK | Input | Yes | | Reference Clock for the PLL |
| FB | Input | Yes | | Feedback port for the PLL |
| PowerDown | Input | Yes | | PLL power down control |
| | | | 0 | PLL powered down |
| | | | 1 | PLL active |
| | | | | |
| DIVI[5:0] | Input | Yes | 1 to 64, in unsigned binary notation offset by -1 | Sets value for feedback divider (multiplier) |
| DIVJ[5:0] | Input | Yes | | Sets value for CLK1 divider |
| LowFreq | Input | Yes | | Input frequency range selector |
| | | | 0 | 50–200 MHz |
| | | | 1 | 14–50 MHz |
| Osc[2:0] | Input | Yes | | Output frequency range selector |
| | | | XX0 | 400–1000 MHz |
| | | | 001 | 200–400 MHz |
| | | | 011 | 100–200 MHz |
| | | | 101 | 50–100 MHz |
| | | | 111 | 20–50 MHz |
| DelayLine[4:0] | Input | Yes | –15 to +15 (increments), in signed-and-magnitude binary representation | Clock Delay (positive/negative) in increments of 250 ps, with maximum value of ± 3.75 ns |
| FBMuxSel | Input | No | | Selects the source for the feedback input |
| REFSEL | Input | No | | Selects the source for the reference clock |
| OUTSEL | Input | No | | Selects the source for the routed net output |
| PLLSEL | Input | No | | ROOTSEL & PLLSEL are used to select the source of the global clock network |
| ROOTSEL | Input | No | | |
| Lock | Output | Yes | | High value indicates PLL has locked |
| CLK1 | Output | Yes | | PLL clock output |
| CLK2 | Output | Yes | | PLL clock output |

Note: If the input RefClk is taken outside its operating range, the outputs Lock, CLK1 and CLK2 are indeterminate.

PLL Configurations

The following rules apply to the different PLL inputs and outputs:

Reference Clock

The RefCLK can be driven by (Figure 2-50):

1. Global routed clocks (CLKE/F/G/H) or user-created clock network
2. CLK1 output of an adjacent PLL
3. [H]CLKxP (single-ended or voltage-referenced)
4. [H]CLKxP/[H]CLKxN pair (differential modes like LVPECL or LVDS)

Feedback Clock

The feedback clock can be driven by (Figure 2-51 on page 2-78):

1. Global routed clocks (CLKE/F/G/H) or user-created clock network
2. External [H]CLKxP/N I/O pad(s) from the adjacent PLL cell
3. An internal signal from the PLL block

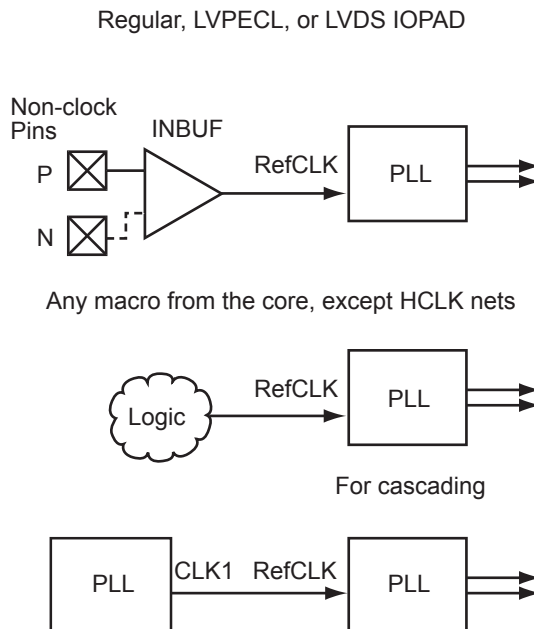


Figure 2-50 • Reference Clock Connections

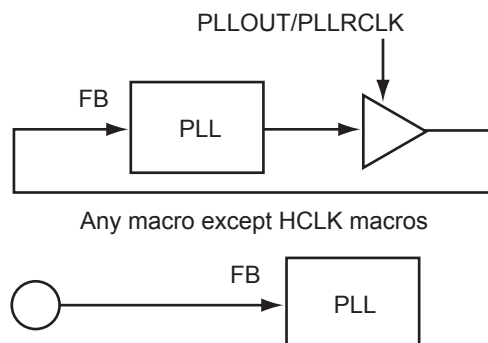


Figure 2-51 • Feedback Clock Connections

CLK1 and CLK2

Both PLL outputs, CLK1 and CLK2, can be used to drive a global resource, an adjacent PLL RefCLK input, or a net in the FPGA core. Not all drive combinations are possible (Table 2-81).

Table 2-81 • PLL General Connections Rules

| CLK1 | CLK2 |
|-------------------|-------------------|
| HCLK | HCLK |
| CLK | CLK |
| HCLK | Routed net output |
| Routed net output | HCLK |
| HCLK | NONE |
| NONE | HCLK |
| CLK | NONE |
| NONE | CLK |

Note: The PLL outputs remain Low when REFCLK is constant (either Low or High).

Restrictions on CLK1 and CLK2

- When both are driving global resources, they must be driving the same *type* of global resource (i.e. either HCLK or CLK).
- Only one can drive a routed net at any given time.

Table 2-82 and Table 2-83 specify all the possible CLK1 and CLK2 connections for the north and south PLLs. HCLK1 and HCLK2 are used to denote the different HCLK networks when two are being driven at the same time by a single PLL (Note that HCLK1 is the primary clock resource associated with the PLL, and HCLK2 is the clock resource associated with the adjacent PLL). Likewise, CLK1 and CLK2 are used to denote the different CLK networks when two are being driven at the same time by a single PLL (Figure 2-48 on page 2-75).

Table 2-82 • North PLL Connections

| CLK1 | CLK2 |
|------------------------------|---------------------------|
| HCLK1 | Routed net |
| HCLK1 | Unused |
| HCLK2 | HCLK1 |
| HCLK2 | Routed net |
| HCLK2 | Both HCLK1 and routed net |
| HCLK2 | Unused |
| Unused | HCLK1 |
| Unused | Routed net |
| Unused | Both HCLK1 and routed net |
| Unused | Unused |
| Routed net | HCLK1 |
| Routed net | Unused |
| Both HCLK1 and HCLK2 | Routed net |
| Both HCLK1 and HCLK2 | Unused |
| Both HCLK1 and routed net | Unusable |
| Both HCLK2 and routed net | HCLK1 |
| Both HCLK2 and routed net | Unused |
| HCLK1, HCLK2, and routed net | Unusable |

Note: Designer software currently does not support all of these connections. Only exclusive connections where one output connects to a single net are supported at this time (e.g. CLK1 driving HCLK1, and HCLK2 is not supported).

Table 2-83 • South PLL Connections

| CLK1 | CLK2 |
|----------------------------|--------------------------|
| CLK1 | Routed net |
| CLK1 | Unused |
| CLK2 | CLK1 |
| CLK2 | Routed net |
| CLK2 | Both CLK1 and routed net |
| CLK2 | Unused |
| Unused | CLK1 |
| Unused | Routed net |
| Unused | Both CLK1 and routed net |
| Unused | Unused |
| Routed net | CLK1 |
| Routed net | Unused |
| Both CLK1 and CLK2 | Routed net |
| Both CLK1 and CLK2 | Unused |
| Both CLK1 and routed net | Unusable |
| Both CLK2 and routed net | CLK1 |
| Both CLK2 and routed net | Unused |
| CLK1, CLK2, and routed net | Unusable |

Note: Designer software currently does not support all of these connections. Only exclusive connections where one output connects to a single net are supported at this time (e.g., CLK1 driving both CLK1 and CLK2 is not supported).

Special PLL Macros

Table 2-84 shows the macros used to connect the RefCLK input and CLK1 and CLK2 outputs using the different routing resources.

Table 2-84 • PLL Special Macros

| Macro Name | Usage |
|------------|---|
| PLLINT | Connects RefCLK to a regular routed net or a pad. |
| PLLCLK | Connects CLK1 or CLK2 to the CLK network. |
| PLLHCLK | Connects CLK1 or CLK2 to the HCLK network. |
| PLLOUT | Connects CLK1 or CLK2 to a regular routed net. |

Table 2-85 • Electrical Specifications

| Parameter | Value | Notes |
|--|-----------------|---|
| Frequency Ranges | | |
| Reference Frequency (min.) | 14 MHz | Lowest input frequency |
| Reference Frequency (max.) | 200 MHz | Highest input frequency |
| OSC Frequency (min.) | 20 MHz | Lowest output frequency |
| OSC Frequency (max.) | 1 GHz | Highest output frequency |
| Jitter | | |
| Long-Term Jitter (max.) | 1% | Percentage of period, low reference clock frequencies |
| Long-Term Jitter (max.) | 100ps | High reference clock frequencies |
| Short-Term Jitter (max.) | 50ps+1% | Percentage of output frequency |
| Acquisition Time (lock) from Cold Start | | |
| Acquisition Time (max.)* | 400 cycles | Period of low reference clock frequencies |
| Acquisition Time (max.)* | 1.5 μ s | High reference clock frequencies |
| Power Consumption | | |
| Analog Supply Current (low freq.) | 200 μ A | Current at minimum oscillator frequency |
| Analog Supply Current (high freq.) | 200 μ A | Frequency-dependent current |
| Digital Supply Current (low freq.) | 0.5 μ A/MHz | Current at maximum oscillator frequency, unloaded |
| Digital Supply Current (high freq.) | 1 μ A/MHz | Frequency-dependent current |
| Duty Cycle | | |
| Minimum Output Duty Cycle | 45% | |
| Maximum Output Duty Cycle | 55% | |

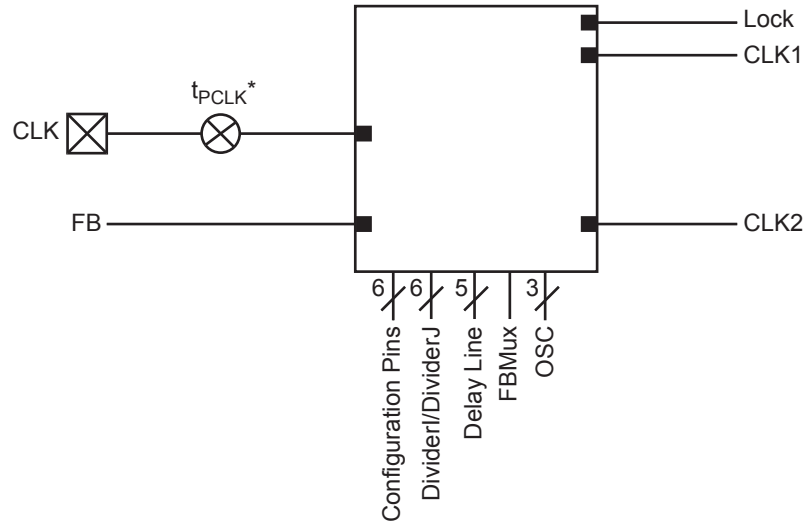
*Note: *The lock bit remains Low until RefCLK reaches the minimum input frequency.*

User Flow

There are two methods of including a PLL in a design:

- The recommended method of using a PLL is to create custom PLL blocks using Microsemi's macro generator, SmartGen, that can be instantiated in a design.
- The alternative method is to instantiate one of the generic library primitives (PLL or PLLFB) into either a schematic or HDL netlist, using inverters for polarity control and tying all unused address and data bits to ground.

Timing Model



Note: t_{PCLK} is the delay in the clock signal

Figure 2-52 • PLL Model

Sample Implementations

Frequency Synthesis

Figure 2-53 illustrates an example where the PLL is used to multiply a 155.5 MHz external clock up to 622 MHz. Note that the same PLL schematic could use an external 350 MHz clock, which is divided down to 155 MHz by the FPGA internal logic.

Figure 2-54 illustrates the PLL using both dividers to synthesize a 133 MHz output clock from a 155 MHz input reference clock. The input frequency of 155 MHz is multiplied by 6 and divided by 7, giving a CLK1 output frequency of 132.86 MHz. When dividers are used, a given ratio can be generated in multiple ways, allowing the user to stay within the operating frequency ranges of the PLL.

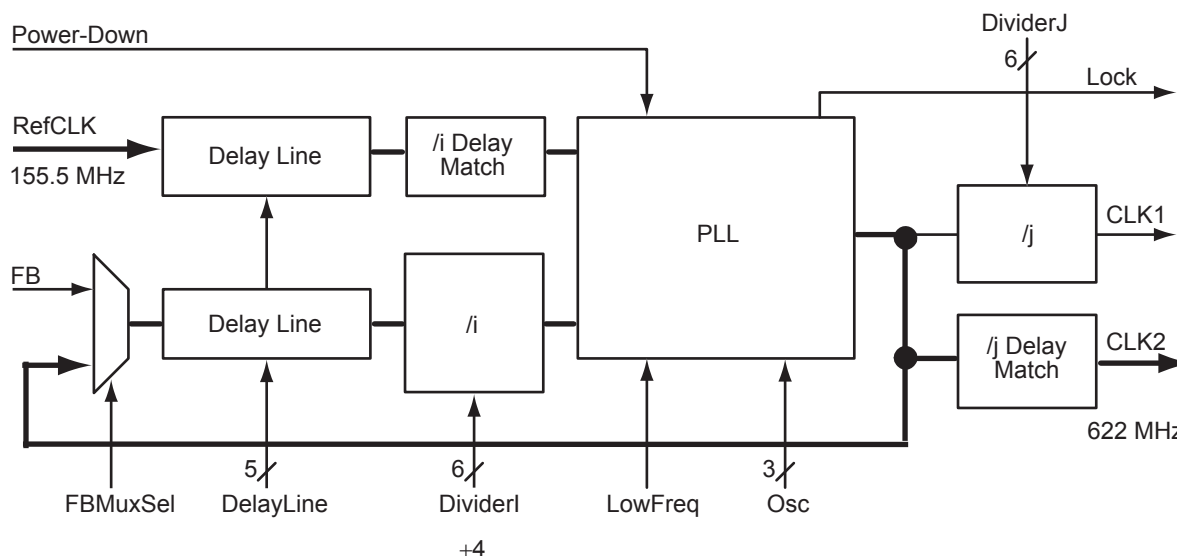


Figure 2-53 • Using the PLL 155.5 MHz In, 622 MHz Out

Adjustable Clock Delay

Figure 2-55 illustrates using the PLL to delay the reference clock by employing one of the adjustable delay lines. In this case, the output clock is delayed relative to the reference clock. Delaying the reference clock relative to the output clock is accomplished by using the delay line in the feedback path.

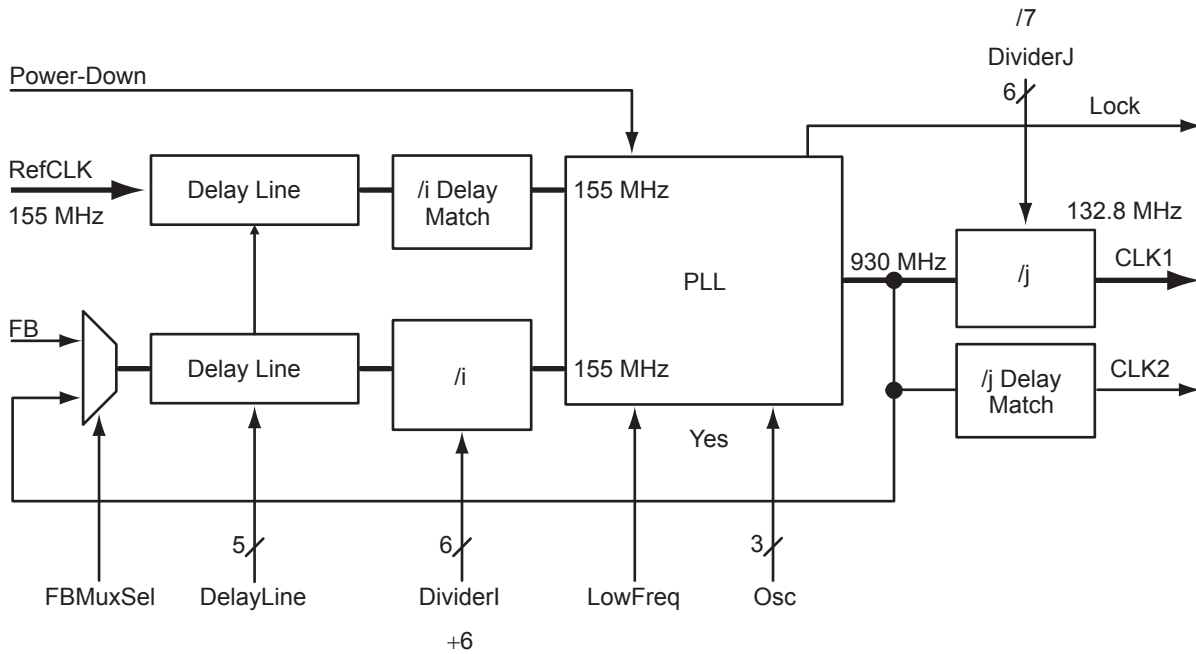


Figure 2-54 • Using the PLL 155 MHz In, 133 MHz Out

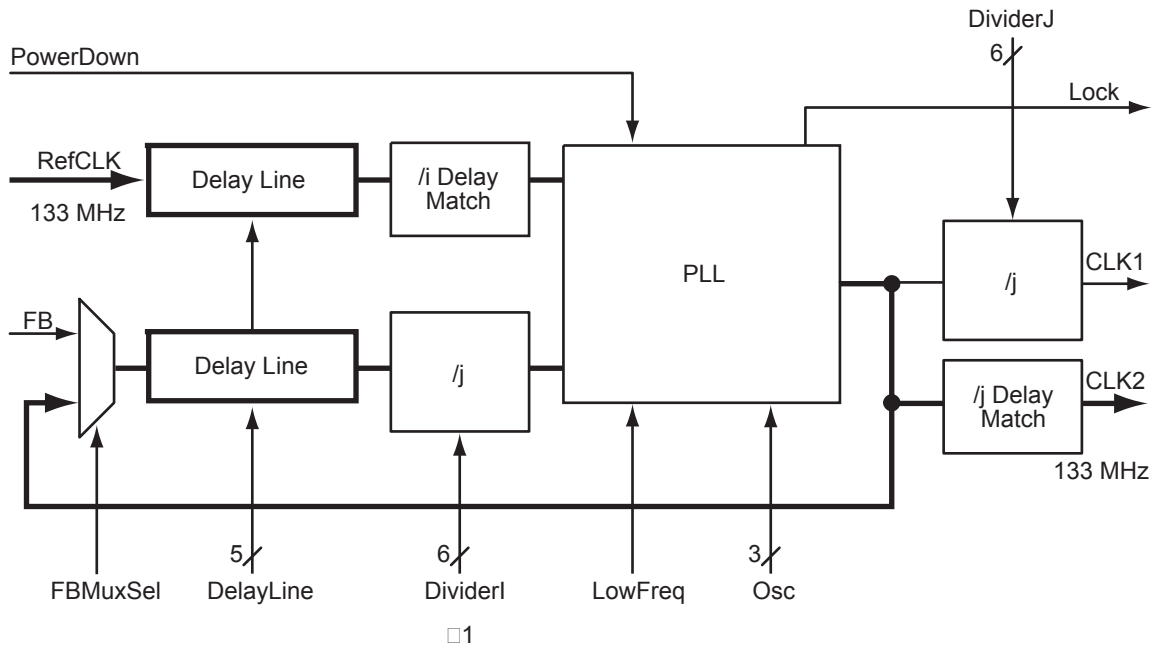


Figure 2-55 • Using the PLL Delaying the Reference Clock

Clock Skew Minimization

Figure 2-56 indicates how feedback from the clock network can be used to create minimal skew between the distributed clock network and the input clock. The input clock is fed to the reference clock input of the PLL. The output clock (CLK2) feeds a routed clock network. The feedback input to the PLL uses a clock input delayed by a routing network. The PLL then adjusts the phase of the input clock to match the delayed clock, thus providing nearly zero effective skew between the two clocks. Refer to the [Accelerator Family PLL and Clock Management](#) application note for more information.

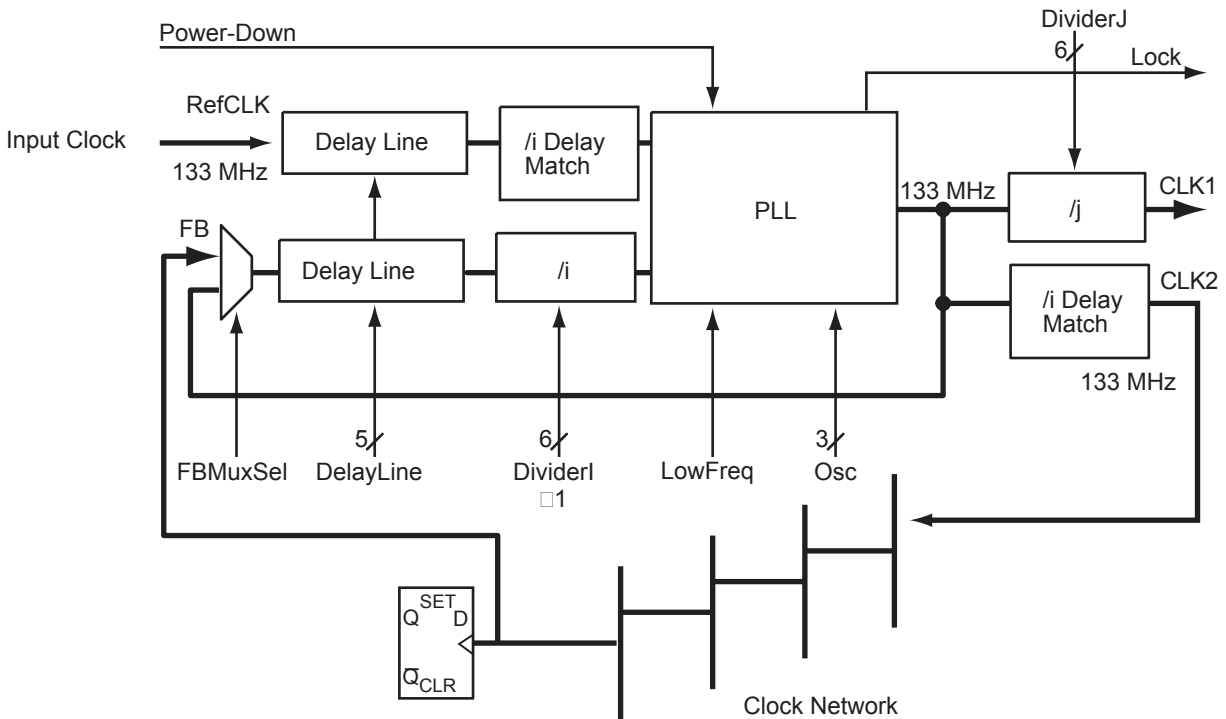


Figure 2-56 • Using the PLL for Clock Deskewing

Embedded Memory

The AX architecture provides extensive, high-speed memory resources to the user. Each 4,608 bit block of RAM contains its own embedded FIFO controller, allowing the user to configure each block as either RAM or FIFO.

To meet the needs of high performance designs, the memory blocks operate in synchronous mode for both read and write operations. However, the read and write clocks are completely independent, and each may operate up to and above 500 MHz.

No additional core logic resources are required to cascade the address and data buses when cascading different RAM blocks. Dedicated routing runs along each column of RAM to facilitate cascading.

The AX memory block includes dedicated FIFO control logic to generate internal addresses and external flag logic (FULL, EMPTY, AFULL, AEMPTY). Since read and write operations can occur asynchronously to one another, special control circuitry is included to prevent metastability, overflow, and underflow. A block diagram of the memory module is illustrated in [Figure 2-57](#).

During RAM operation, read (RA) and write (WA) addresses are sourced by user logic and the FIFO controller is ignored. In FIFO mode, the internal addresses are generated by the FIFO controller and routed to the RAM array by internal MUXes. Enables with programmable polarity are provided to create upper address bits for cascading up to 16 memory blocks. When cascading memory blocks, the bussed signals WA, WD, WEN, RA, RD, and REN are internally linked to eliminate external routing congestion.

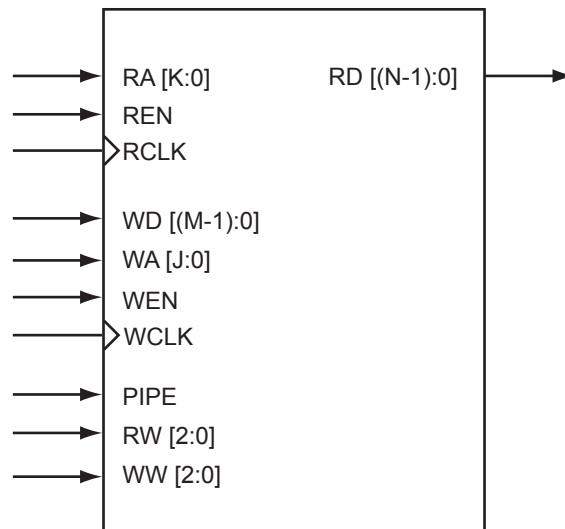


Figure 2-57 • Accelerator Memory Module

RAM

Each memory block consists of 4,608 bits that can be organized as 128x36, 256x18, 512x9, 1kx4, 2kx2, or 4kx1 and are cascadable to create larger memory sizes. This allows built-in bus width conversion (Table 2-86). Each block has independent read and write ports which enable simultaneous read and write operations.

Table 2-86 • Memory Block WxD Options

| Data-word (in bits) | Depth | Address Bus | Data Bus |
|---------------------|-------|-------------|-------------|
| 1 | 4,096 | RA/WA[11:0] | RD/WD[0] |
| 2 | 2,048 | RA/WA[10:0] | RD/WD[1:0] |
| 4 | 1,024 | RA/WA[9:0] | RD/WD[3:0] |
| 9 | 512 | RA/WA[8:0] | RD/WD[8:0] |
| 18 | 256 | RA/WA[7:0] | RD/WD[17:0] |
| 36 | 128 | RA/WA[6:0] | RD/WD[35:0] |

Clocks

The RCLK and the WCLK have independent source polarity selection and can be sourced by any global or local signal.

RAM Configurations

The AX architecture allows the read side and write side of RAMs to be organized independently, allowing for bus conversion. For example, the write side can be set to 256x18 and the read side to 512x9.

Both the write width and read width for the RAM blocks can be specified independently and changed dynamically with the WW (write width) and RW (read width) pins. The D x W different configurations are: 128 x 36, 256 x 18, 512 x 9, 1k x 4, 2k x 2, and 4k x 1. The allowable RW and WW values are shown in Table 2-87.

Table 2-87 • Allowable RW and WW Values

| RW(2:0) | WW(2:0) | D x W |
|---------|---------|----------|
| 000 | 000 | 4k x 1 |
| 001 | 001 | 2k x 2 |
| 010 | 010 | 1k x 4 |
| 011 | 011 | 512 x 9 |
| 100 | 100 | 256 x 18 |
| 101 | 101 | 128 x 36 |
| 11x | 11x | reserved |

When widths of one, two, and four are selected, the ninth bit is unused. For example, when writing nine-bit values and reading four-bit values, only the first four bits and the second four bits of each nine-bit value are addressable for read operations. The ninth bit is not accessible. Conversely, when writing four-bit values and reading nine-bit values, the ninth bit of a read operation will be undefined.

Note that the RAM blocks employ little-endian byte order for read and write operations.

Table 2-88 • RAM Signal Description

| Signal | Direction | Description |
|-----------|-----------|---|
| WCLK | Input | Write clock (can be active on either edge). |
| WA[J:0] | Input | Write address bus. The value J is dependent on the RAM configuration and the number of cascaded memory blocks. The valid range for J is from 6 to 15. |
| WD[M-1:0] | Input | Write data bus. The value M is dependent on the RAM configuration and can be 1, 2, 4, 9, 18, or 36. |
| RCLK | Input | Read clock (can be active on either edge). |
| RA[K:0] | Input | Read address bus. The value K is dependent on the RAM configuration and the number of cascaded memory blocks. The valid range for K is from 6 to 15. |
| RD[N-1:0] | Output | Read data bus. The value N is dependent on the RAM configuration and can be 1, 2, 4, 9, 18, or 36. |
| REN | Input | Read enable. When this signal is valid on the active edge of the clock, data at location RA will be driven onto RD. |
| WEN | Input | Write enable. When this signal is valid on the active edge of the clock, WD data will be written at location WA. |
| RW[2:0] | Input | Width of the read operation dataword. |
| WW[2:0] | Input | Width of the write operation dataword. |
| Pipe | Input | Sets the pipe option to be on or off. |

Modes of Operation

There are two read modes and one write mode:

- Read Nonpipelined (synchronous – one clock edge)
- Read Pipelined (synchronous – two clock edges)
- Write (synchronous – one clock edge)

In the standard read mode, new data is driven onto the RD bus in the clock cycle immediately following RA and REN valid. The read address is registered on the read-port active-clock edge and data appears at read-data after the RAM access time. Setting the PIPE to OFF enables this mode.

The pipelined mode incurs an additional clock delay from address to data, but enables operation at a much higher frequency. The read-address is registered on the read-port active-clock edge, and the read data is registered and appears at RD after the second read clock edge. Setting the PIPE to ON enables this mode.

On the write active-clock edge, the write data are written into the SRAM at the write address when WEN is high. The setup time of the write address, write enables, and write data are minimal with respect to the write clock.

Write and read transfers are described with timing requirements beginning in the "[Timing Characteristics](#)" section on page 2-89.

Timing Characteristics

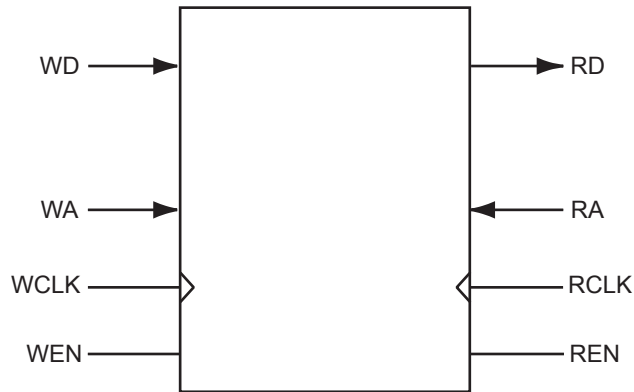


Figure 2-58 • SRAM Model

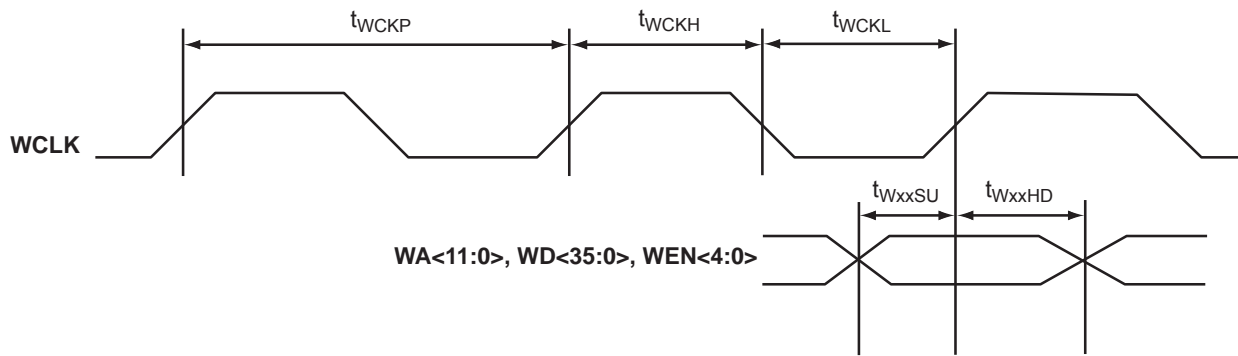


Figure 2-59 • RAM Write Timing Waveforms

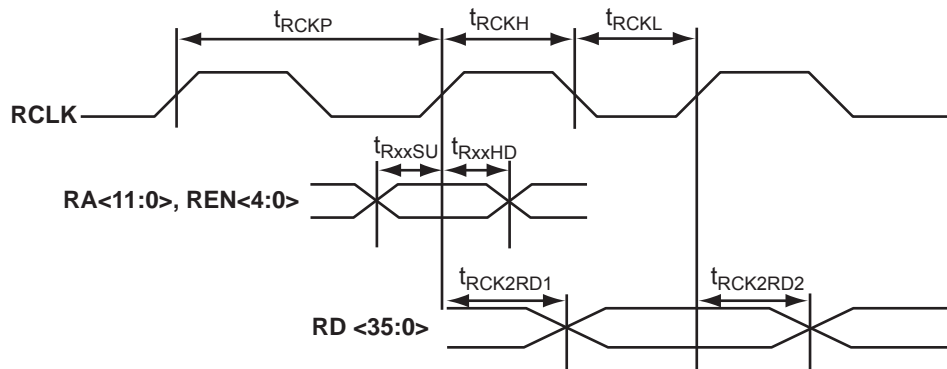


Figure 2-60 • RAM Read Timing Waveforms

Table 2-89 • One RAM Block
Worst-Case Commercial Conditions VCCA = 1.425 V, VCCI = 3.0 V, T_J = 70°C

| Parameter | Description | –2 Speed | | –1 Speed | | Std Speed | | Units |
|----------------------|-------------------------------|----------|------|----------|------|-----------|------|-------|
| | | Min. | Max. | Min. | Max. | Min. | Max. | |
| Write Mode | | | | | | | | |
| t _{WDASU} | Write Data Setup vs. WCLK | | 1.08 | | 1.23 | | 1.45 | ns |
| t _{WDAHD} | Write Data Hold vs. WCLK | | 0.22 | | 0.25 | | 0.30 | ns |
| t _{WADSU} | Write Address Setup vs. WCLK | | 1.08 | | 1.23 | | 1.45 | ns |
| t _{WADHD} | Write Address Hold vs. WCLK | | 0.00 | | 0.00 | | 0.00 | ns |
| t _{WENSU} | Write Enable Setup vs. WCLK | | 1.08 | | 1.23 | | 1.45 | ns |
| t _{WENHD} | Write Enable Hold vs. WCLK | | 0.22 | | 0.25 | | 0.30 | ns |
| t _{WCKH} | WCLK Minimum High Pulse Width | 0.75 | | 0.75 | | 0.75 | | ns |
| t _{WCLK} | WCLK Minimum Low Pulse Width | 0.88 | | 0.88 | | 0.88 | | ns |
| t _{WCKP} | WCLK Minimum Period | 1.63 | | 1.63 | | 1.63 | | ns |
| Read Mode | | | | | | | | |
| t _{RADSU} | Read Address Setup vs. RCLK | | 0.81 | | 0.92 | | 1.08 | ns |
| t _{RADHD} | Read Address Hold vs. RCLK | | 0.00 | | 0.00 | | 0.00 | ns |
| t _{RENSU} | Read Enable Setup vs. RCLK | | 0.81 | | 0.92 | | 1.08 | ns |
| t _{RENHD} | Read Enable Hold vs. RCLK | | 0.00 | | 0.00 | | 0.00 | ns |
| t _{RCK2RD1} | RCLK-to-OUT (Pipelined) | | 1.32 | | 1.51 | | 1.77 | ns |
| t _{RCK2RD2} | RCLK-to-OUT (Non-Pipelined) | | 2.16 | | 2.46 | | 2.90 | ns |
| t _{RCLKH} | RCLK Minimum High Pulse Width | 0.77 | | 0.77 | | 0.77 | | ns |
| t _{RCLKL} | RCLK Minimum Low Pulse Width | 0.93 | | 0.93 | | 0.93 | | ns |
| t _{RCKP} | RCLK Minimum Period | 1.70 | | 1.70 | | 1.70 | | ns |

Note: Timing data for this single block RAM has a depth of 4,096. For all other combinations, use Microsemi's timing software.

Table 2-90 • Two RAM Blocks Cascaded
Worst-Case Commercial Conditions VCCA = 1.425 V, VCCI = 3.0 V, T_J = 70°C

| Parameter | Description | –2 Speed | | –1 Speed | | Std Speed | | Units |
|----------------------|-------------------------------|----------|------|----------|------|-----------|------|-------|
| | | Min. | Max. | Min. | Max. | Min. | Max. | |
| Write Mode | | | | | | | | |
| t _{WDASU} | Write Data Setup vs. WCLK | | 1.39 | | 1.59 | | 1.87 | ns |
| t _{WDAHD} | Write Data Hold vs. WCLK | | 0.00 | | 0.00 | | 0.00 | ns |
| t _{WADSU} | Write Address Setup vs. WCLK | | 1.39 | | 1.59 | | 1.87 | ns |
| t _{WADHD} | Write Address Hold vs. WCLK | | 0.00 | | 0.00 | | 0.00 | ns |
| t _{WENSU} | Write Enable Setup vs. WCLK | | 1.39 | | 1.59 | | 1.87 | ns |
| t _{WENHD} | Write Enable Hold vs. WCLK | | 0.00 | | 0.00 | | 0.00 | ns |
| t _{WCKH} | WCLK Minimum High Pulse Width | 0.75 | | 0.75 | | 0.75 | | ns |
| t _{WCLK} | WCLK Minimum Low Pulse Width | 1.76 | | 1.76 | | 1.76 | | ns |
| t _{WCKP} | WCLK Minimum Period | 2.51 | | 2.51 | | 2.51 | | ns |
| Read Mode | | | | | | | | |
| t _{RADSU} | Read Address Setup vs. RCLK | | 1.71 | | 1.94 | | 2.28 | ns |
| t _{RADHD} | Read Address Hold vs. RCLK | | 0.00 | | 0.00 | | 0.00 | ns |
| t _{RENSU} | Read Enable Setup vs. RCLK | | 1.71 | | 1.94 | | 2.28 | ns |
| t _{RENHD} | Read Enable Hold vs. RCLK | | 0.00 | | 0.00 | | 0.00 | ns |
| t _{RCK2RD1} | RCLK-To-OUT (Pipelined) | | 1.43 | | 1.63 | | 1.92 | ns |
| t _{RCK2RD2} | RCLK-To-OUT (Non-Pipelined) | | 2.26 | | 2.58 | | 3.03 | ns |
| t _{RCLKH} | RCLK Minimum High Pulse Width | 0.73 | | 0.73 | | 0.73 | | ns |
| t _{RCLKL} | RCLK Minimum Low Pulse Width | 1.89 | | 1.89 | | 1.89 | | ns |
| t _{RCKP} | RCLK Minimum Period | 2.62 | | 2.62 | | 2.62 | | ns |

Note: Timing data for these two cascaded RAM blocks uses a depth of 8,192. For all other combinations, use Microsemi's timing software.

Table 2-91 • Four RAM Blocks Cascaded
Worst-Case Commercial Conditions VCCA = 1.425 V, VCCI = 3.0 V, T_J = 70°C

| Parameter | Description | -2 Speed | | -1 Speed | | Std Speed | | Units |
|----------------------|-------------------------------|----------|------|----------|------|-----------|------|-------|
| | | Min. | Max. | Min. | Max. | Min. | Max. | |
| Write Mode | | | | | | | | |
| t _{WDASU} | Write Data Setup vs. WCLK | | 2.37 | | 2.70 | | 3.17 | ns |
| t _{WDAHD} | Write Data Hold vs. WCLK | | 0.00 | | 0.00 | | 0.00 | ns |
| t _{WADSU} | Write Address Setup vs. WCLK | | 2.37 | | 2.70 | | 3.17 | ns |
| t _{WADHD} | Write Address Hold vs. WCLK | | 0.00 | | 0.00 | | 0.00 | ns |
| t _{WENSU} | Write Enable Setup vs. WCLK | | 2.37 | | 2.70 | | 3.17 | ns |
| t _{WENHD} | Write Enable Hold vs. WCLK | | 0.00 | | 0.00 | | 0.00 | ns |
| t _{WCKH} | WCLK Minimum High Pulse Width | 0.75 | | 0.75 | | 0.75 | | ns |
| t _{WCLK} | WCLK Minimum Low Pulse Width | 2.51 | | 2.51 | | 2.51 | | ns |
| t _{WCKP} | WCLK Minimum Period | 3.26 | | 3.26 | | 3.26 | | ns |
| Read Mode | | | | | | | | |
| t _{RADSU} | Read Address Setup vs. RCLK | | 3.08 | | 3.51 | | 4.13 | ns |
| t _{RADHD} | Read Address Hold vs. RCLK | | 0.00 | | 0.00 | | 0.00 | ns |
| t _{RENSU} | Read Enable Setup vs. RCLK | | 3.08 | | 3.51 | | 4.13 | ns |
| t _{RENHD} | Read Enable Hold vs. RCLK | | 0.00 | | 0.00 | | 0.00 | ns |
| t _{RCK2RD1} | RCLK-To-OUT (Pipelined) | | 2.36 | | 2.69 | | 3.16 | ns |
| t _{RCK2RD2} | RCLK-To-OUT (Non-Pipelined) | | 2.83 | | 3.23 | | 3.79 | ns |
| t _{RCLKH} | RCLK Minimum High Pulse Width | 0.73 | | 0.73 | | 0.73 | | ns |
| t _{RCLKL} | RCLK Minimum Low Pulse Width | 2.96 | | 2.96 | | 2.96 | | ns |
| t _{RCKP} | RCLK Minimum Period | 3.69 | | 3.69 | | 3.69 | | ns |

Note: Timing data for these four cascaded RAM blocks uses a depth of 16,384. For all other combinations, use Microsemi's timing software.

Table 2-92 • Eight RAM Blocks Cascaded
Worst-Case Commercial Conditions VCCA = 1.425 V, VCCI = 3.0 V, T_J = 70°C

| Parameter | Description | -2 Speed | | -1 Speed | | Std Speed | | Units |
|----------------------|-------------------------------|----------|------|----------|------|-----------|------|-------|
| | | Min. | Max. | Min. | Max. | Min. | Max. | |
| Write Mode | | | | | | | | |
| t _{WDASU} | Write Data Setup vs. WCLK | | 5.78 | | 6.58 | | 7.74 | ns |
| t _{WDAHD} | Write Data Hold vs. WCLK | | 0.00 | | 0.00 | | 0.00 | ns |
| t _{WADSU} | Write Address Setup vs. WCLK | | 5.78 | | 6.58 | | 7.74 | ns |
| t _{WADHD} | Write Address Hold vs. WCLK | | 0.00 | | 0.00 | | 0.00 | ns |
| t _{WENSU} | Write Enable Setup vs. WCLK | | 5.78 | | 6.58 | | 7.74 | ns |
| t _{WENHD} | Write Enable Hold vs. WCLK | | 0.00 | | 0.00 | | 0.00 | ns |
| t _{WCKH} | WCLK Minimum High Pulse Width | 0.75 | | 0.75 | | 0.75 | | ns |
| t _{WCLK} | WCLK Minimum Low Pulse Width | 5.13 | | 5.13 | | 5.13 | | ns |
| t _{WCKP} | WCLK Minimum Period | 5.88 | | 5.88 | | 5.88 | | ns |
| Read Mode | | | | | | | | |
| t _{RADSU} | Read Address Setup vs. RCLK | | 6.75 | | 7.69 | | 9.04 | ns |
| t _{RADHD} | Read Address Hold vs. RCLK | | 0.00 | | 0.00 | | 0.00 | ns |
| t _{RENSU} | Read Enable Setup vs. RCLK | | 6.75 | | 7.69 | | 9.04 | ns |
| t _{RENHD} | Read Enable Hold vs. RCLK | | 0.00 | | 0.00 | | 0.00 | ns |
| t _{RCK2RD1} | RCLK-To-OUT (Pipelined) | | 3.39 | | 3.86 | | 4.54 | ns |
| t _{RCK2RD2} | RCLK-To-OUT (Non-Pipelined) | | 4.93 | | 5.62 | | 6.61 | ns |
| t _{RCLKH} | RCLK Minimum High Pulse Width | 0.73 | | 0.73 | | 0.73 | | ns |
| t _{RCLKL} | RCLK Minimum Low Pulse Width | 5.77 | | 5.77 | | 5.77 | | ns |
| t _{RCKP} | RCLK Minimum Period | 6.50 | | 6.50 | | 6.50 | | ns |

Note: Timing data for these eight cascaded RAM blocks uses a depth of 32,768. For all other combinations, use Microsemi's timing software.

Table 2-93 • Sixteen RAM Blocks Cascaded
Worst-Case Commercial Conditions VCCA = 1.425 V, VCCI = 3.0 V, T_J = 70°C

| Parameter | Description | -2 Speed | | -1 Speed | | Std Speed | | Units |
|----------------------|-------------------------------|----------|-------|----------|-------|-----------|-------|-------|
| | | Min. | Max. | Min. | Max. | Min. | Max. | |
| Write Mode | | | | | | | | |
| t _{WDASU} | Write Data Setup vs. WCLK | | 16.54 | | 18.84 | | 22.15 | ns |
| t _{WDAHD} | Write Data Hold vs. WCLK | | 0.00 | | 0.00 | | 0.00 | ns |
| t _{WADSU} | Write Address Setup vs. WCLK | | 16.54 | | 18.84 | | 22.15 | ns |
| t _{WADHD} | Write Address Hold vs. WCLK | | 0.00 | | 0.00 | | 0.00 | ns |
| t _{WENSU} | Write Enable Setup vs. WCLK | | 16.54 | | 18.84 | | 22.15 | ns |
| t _{WENHD} | Write Enable Hold vs. WCLK | | 0.00 | | 0.00 | | 0.00 | ns |
| t _{WCKH} | WCLK Minimum High Pulse Width | 0.75 | | 0.75 | | 0.75 | | ns |
| t _{WCLK} | WCLK Minimum Low Pulse Width | 13.40 | | 13.40 | | 13.40 | | ns |
| t _{WCKP} | WCLK Minimum Period | 14.15 | | 14.15 | | 14.15 | | ns |
| Read Mode | | | | | | | | |
| t _{RADSU} | Read Address Setup vs. RCLK | | 18.13 | | 20.65 | | 24.27 | ns |
| t _{RADHD} | Read Address Hold vs. RCLK | | 0.00 | | 0.00 | | 0.00 | ns |
| t _{RENSU} | Read Enable Setup vs. RCLK | | 18.13 | | 20.65 | | 24.27 | ns |
| t _{RENHD} | Read Enable Hold vs. RCLK | | 0.00 | | 0.00 | | 0.00 | ns |
| t _{RCK2RD1} | RCLK-To-OUT (Pipelined) | | 12.08 | | 13.76 | | 16.17 | ns |
| t _{RCK2RD2} | RCLK-To-OUT (Non-Pipelined) | | 12.83 | | 14.62 | | 17.18 | ns |
| t _{RCLKH} | RCLK Minimum High Pulse Width | 0.73 | | 0.73 | | 0.73 | | ns |
| t _{RCLKL} | RCLK Minimum Low Pulse Width | 14.41 | | 14.41 | | 14.41 | | ns |
| t _{RCKP} | RCLK Minimum Period | 15.14 | | 15.14 | | 15.14 | | ns |

Note: Timing data for these sixteen cascaded RAM blocks uses a depth of 65,536. For all other combinations, use Microsemi's timing software.

FIFO

Every memory block has its own embedded FIFO controller. Each FIFO block has one read port and one write port. This embedded FIFO controller uses no internal FPGA logic and features:

- Glitch-free FIFO Flags
- Gray-code address counters/pointers to prevent metastability problems
- Overflow and underflow control

Both ports are configurable in various sizes from 4k x 1 to 128 x 36, similar to the RAM block size. Each port is fully synchronous.

Read and write operations can be completely independent. Data on the appropriate WD pins are written to the FIFO on every active WCLK edge as long as WEN is high. Data is read from the FIFO and output on the appropriate RD pins on every active RCLK edge as long as REN is asserted.

The FIFO block offers programmable almost-empty (AEMPTY) and almost-full (AFULL) flags as well as EMPTY and FULL flags (Figure 2-61):

- The FULL flag is synchronous to WCLK. It allows the FIFO to inhibit writing when full.
- The EMPTY flag is synchronous to RCLK. It allows the FIFO to inhibit reading at the empty condition.

Gray code counters are used to prevent metastability problems associated with flag logic. The depth of the FIFO is dependent on the data width and the number of memory blocks used to create the FIFO. The write operations to the FIFO are synchronous with respect to the WCLK, and the read operations are synchronous with respect to the RCLK.

The FIFO block may be reset to the empty state.

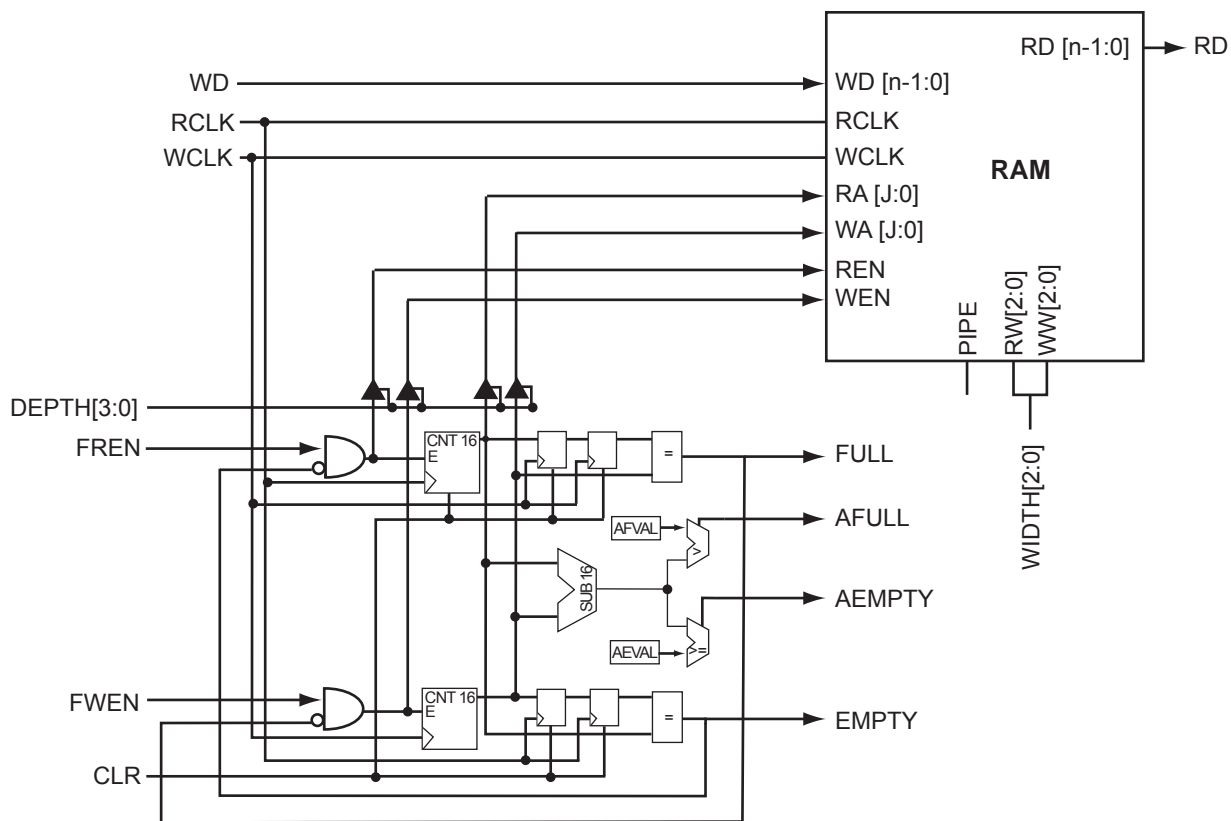


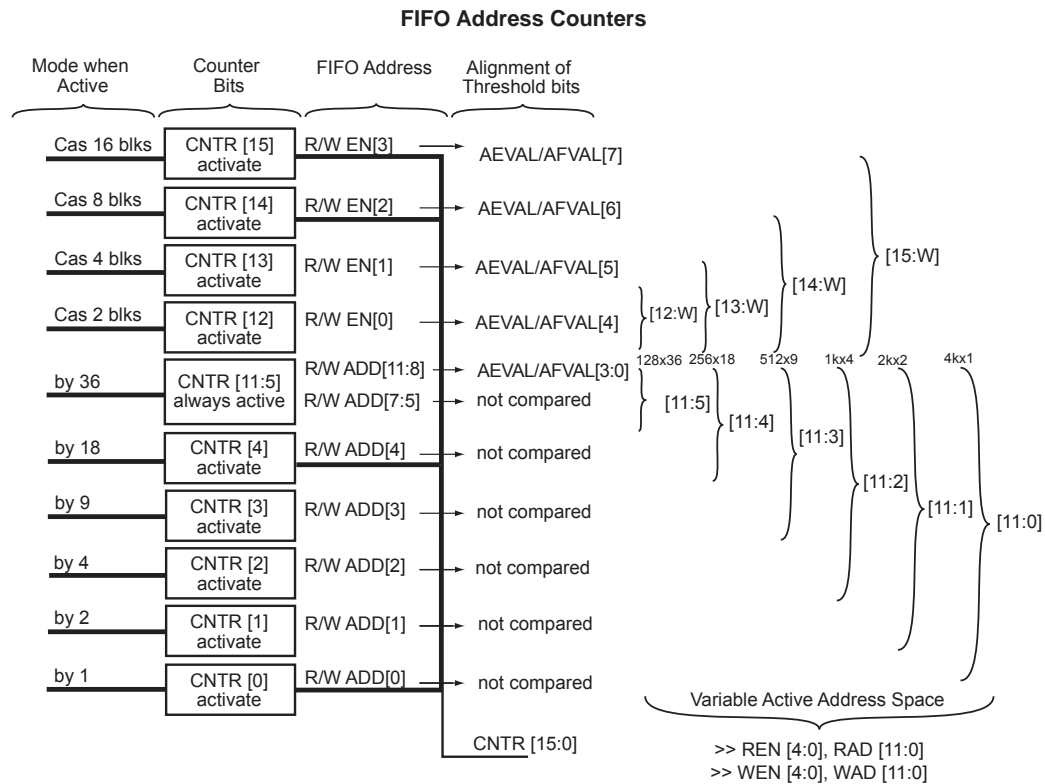
Figure 2-61 • Axcelerator RAM with Embedded FIFO Controller

FIFO Flag Logic

The FIFO is user configurable into various DEPTHS and WIDTHS. Figure 2-62 shows the FIFO address counter details.

- Bits 11 to 5 are active for all modes.
- As the data word size is reduced, more least-significant bits are added to the address.
- As the number of cascaded blocks increases, the number of significant bits in the address increases.

For example, if four blocks are cascaded as a 1kx16 FIFO with each block having a 1kx4 aspect ratio, bits 11 to 2 of the address will be used to specify locations within each RAM block, whereas bits 13 and 12 will be used to specify the RAM block.



Note: Inactive counter bits are set to zero.

Figure 2-62 • FIFO Address Counters

The AFULL and AEMPTY flag threshold values are programmable. The threshold values are AFVAL and AEVAL, respectively. Although the trigger threshold for each flag is defined with eight bits, the effective number of threshold bits in the comparison depends on the configuration. The effective number of threshold bits corresponds to the range of active bits in the FIFO address space (Table 2-94).

Table 2-94 • FIFO Flag Logic

| Mode | Inactive AEVAL/AFVAL Bits | Inactive DIFF Bits (set to 0) | DIFF Comparison to AFVAL/AEVAL |
|-------------------|---------------------------|-------------------------------|--------------------------------|
| Non-cascade | [7:4] | [15:12] | DIFF[11:8] with AE/FVAL[3:0] |
| Cascade 2 blocks | [7:5] | [15:13] | DIFF[12:8] with AE/FVAL[4:0] |
| Cascade 4 blocks | [7:6] | [15:14] | DIFF[13:8] with AE/FVAL[5:0] |
| Cascade 8 blocks | [7] | [15] | DIFF[14:8] with AE/FVAL[6:0] |
| Cascade 16 blocks | None | None | DIFF[15:8] with AE/FVAL[7:0] |

Figure 2-63 illustrates flag generation.

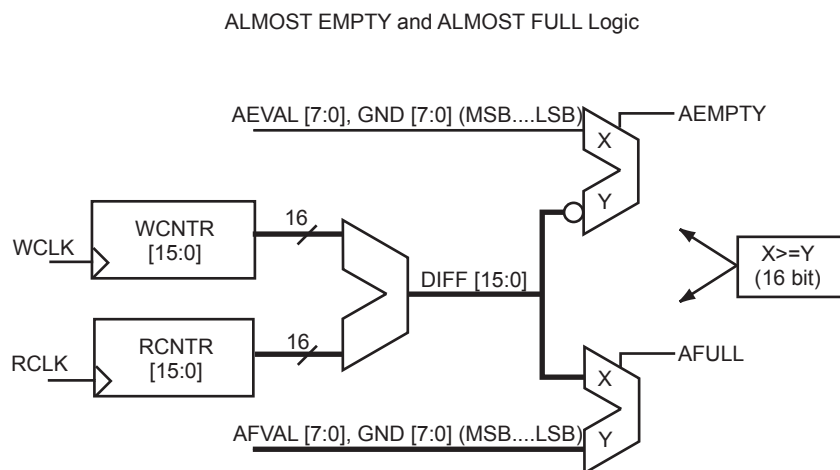


Figure 2-63 • ALMOST-EMPTY and ALMOST-FULL Logic

The Verilog codes for the flags are:

```
assign AF = (DIFF[15:0] >={AFVAL[7:0],8'b00000000})?1:0;
assign AE = ({AEVAL[7:0],8'b00000000}>=DIFF[15:0])?1:0;
```

The number of DIFF-bits active depends on the configuration depth and width (Table 2-95).

Table 2-95 • Number of Available Configuration Bits

| Number of Blocks | Block DxW | Number of AEVAL/AFVAL Bits |
|------------------|-----------|----------------------------|
| 1 | 1x1 | 4 |
| 2 | 1x2 | 4 |
| 2 | 2x1 | 5 |
| 4 | 1x4 | 4 |
| 4 | 2x2 | 5 |
| 4 | 4x1 | 6 |
| 8 | 1x8 | 4 |
| 8 | 2x4 | 5 |
| 8 | 4x2 | 6 |
| 8 | 8x1 | 7 |
| 16 | 1x16 | 4 |
| 16 | 2x8 | 5 |
| 16 | 4x4 | 6 |
| 16 | 8x2 | 7 |
| 16 | 16x1 | 8 |

The active-high CLR pin is used to reset the FIFO to the empty state, which sets FULL and AFULL low, and EMPTY and AEMPTY high.

Assuming that the EMPTY flag is not set, new data is read from the FIFO when REN is valid on the active edge of the clock. Write and read transfers are described with timing requirements in "Timing Characteristics" on page 2-100.

Glitch Elimination

An analog filter is added to each FIFO controller to guarantee glitch-free FIFO-flag logic.

Overflow and Underflow Control

The counter MSB keeps track of the difference between the read address (RA) and the write address (WA). The EMPTY flag is set when the read and write addresses are equal. To prevent underflow, the write address is double-sampled by the read clock prior to comparison with the read address (part A in Figure 2-64). To prevent overflow, the read address is double-sampled by the write clock prior to comparison to the write address (part B in Figure 2-64).

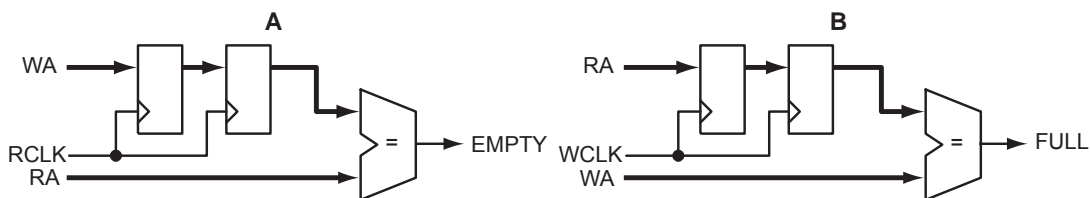


Figure 2-64 • Overflow and Underflow Control

FIFO Configurations

Unlike the RAM, the FIFO's write width and read width cannot be specified independently. For the FIFO, the write and read widths must be the same. The WIDTH pins are used to specify one of six allowable word widths, as shown in Table 2-96.

Table 2-96 • FIFO Width Configurations

| WIDTH(2:0) | W x D |
|------------|----------|
| 000 | 1 x 4k |
| 001 | 2 x 2k |
| 010 | 4 x 1k |
| 011 | 9 x 512 |
| 100 | 18 x 256 |
| 101 | 36 x 128 |
| 11x | reserved |

The DEPTH pins allow RAM cells to be cascaded to create larger FIFOs. The four pins allow depths of 2, 4, 8, and 16 to be specified. Table 2-86 on page 2-87 describes the FIFO depth options for various data width and memory blocks.

Interface

Figure 2-65 on page 2-99 shows a logic block diagram of the Accelerator FIFO module.

Cascading FIFO Blocks

FIFO blocks can be cascaded to create deeper FIFO functions. When building larger FIFO blocks, if the word width can be fractured in a multi-bit FIFO, the fractured word configuration is recommended over a cascaded configuration. For example, 256x36 can be configured as two blocks of 256x18. This should be taken into account when building the FIFO blocks manually. However, when using SmartGen, the user only needs to specify the depth and width of the necessary FIFO blocks. SmartGen automatically configures these blocks to optimize performance.

Clock

As with RAM configuration, the RCLK and WCLK pins have independent polarity selection.

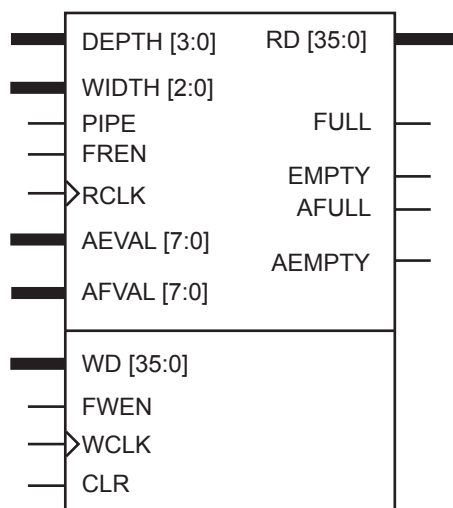


Figure 2-65 • FIFO Block Diagram

Table 2-97 • FIFO Signal Description

| Signal | Direction | Description |
|-----------|-----------|---|
| WCLK | Input | Write clock (active either edge). |
| FWEN | Input | FIFO write enable. When this signal is asserted, the WD bus data is latched into the FIFO, and the internal write counters are incremented. |
| WD[N-1:0] | Input | Write data bus. The value N is dependent on the RAM configuration and can be 1, 2, 4, 9, 18, or 36. |
| FULL | Output | Active high signal indicating that the FIFO is FULL. When this signal is set, additional write requests are ignored. |
| AFULL | Output | Active high signal indicating that the FIFO is AFULL. |
| AFVAL | Input | 8-bit input defining the AFULL value of the FIFO. |
| RCLK | Input | Read clock (active either edge). |
| FREN | Input | FIFO read enable. |
| RD[N-1:0] | Output | Read data bus. The value N is dependent on the RAM configuration and can be 1, 2, 4, 9, 18, or 36. |
| EMPTY | Output | Empty flag indicating that the FIFO is EMPTY. When this signal is asserted, attempts to read the FIFO will be ignored. |
| AEMPTY | Output | Active high signal indicating that the FIFO is AEMPTY. |
| AEVAL | Input | 8-bit input defining the almost-empty value of the FIFO. |
| PIPE | Input | Sets the pipe option on or off. |
| CLR | Input | Active high clear input. |
| DEPTH | Input | Determines the depth of the FIFO and the number of FIFOs to be cascaded. |
| WIDTH | Input | Determines the width of the dataword/FIFO, and the number of the FIFOs to be cascaded. |

Timing Characteristics

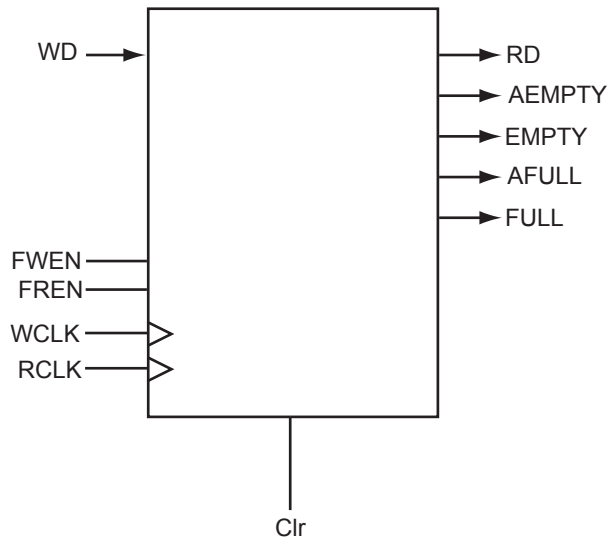


Figure 2-66 • FIFO Model

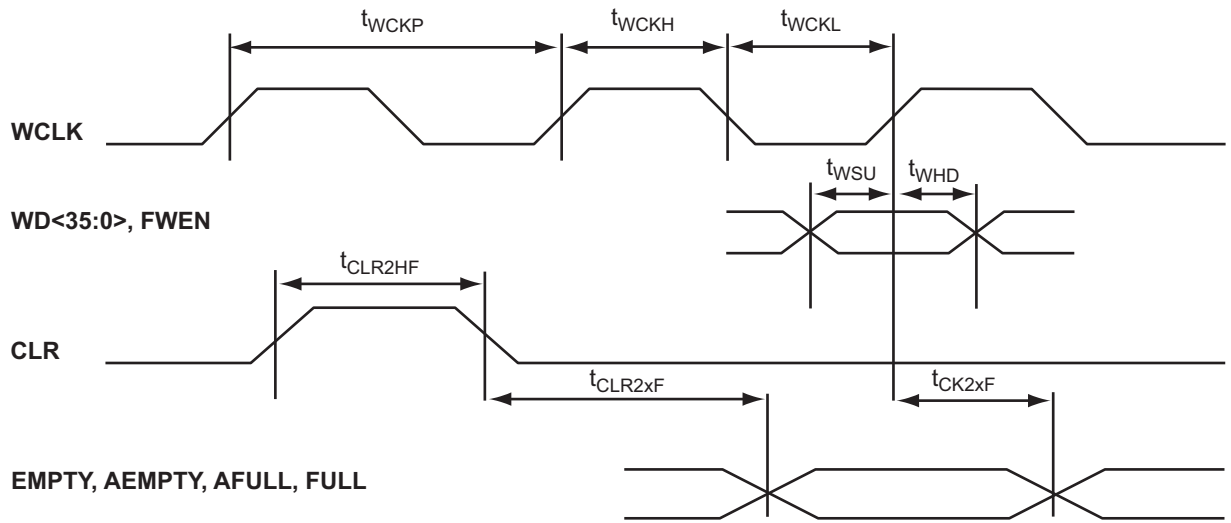


Figure 2-67 • FIFO Write Timing

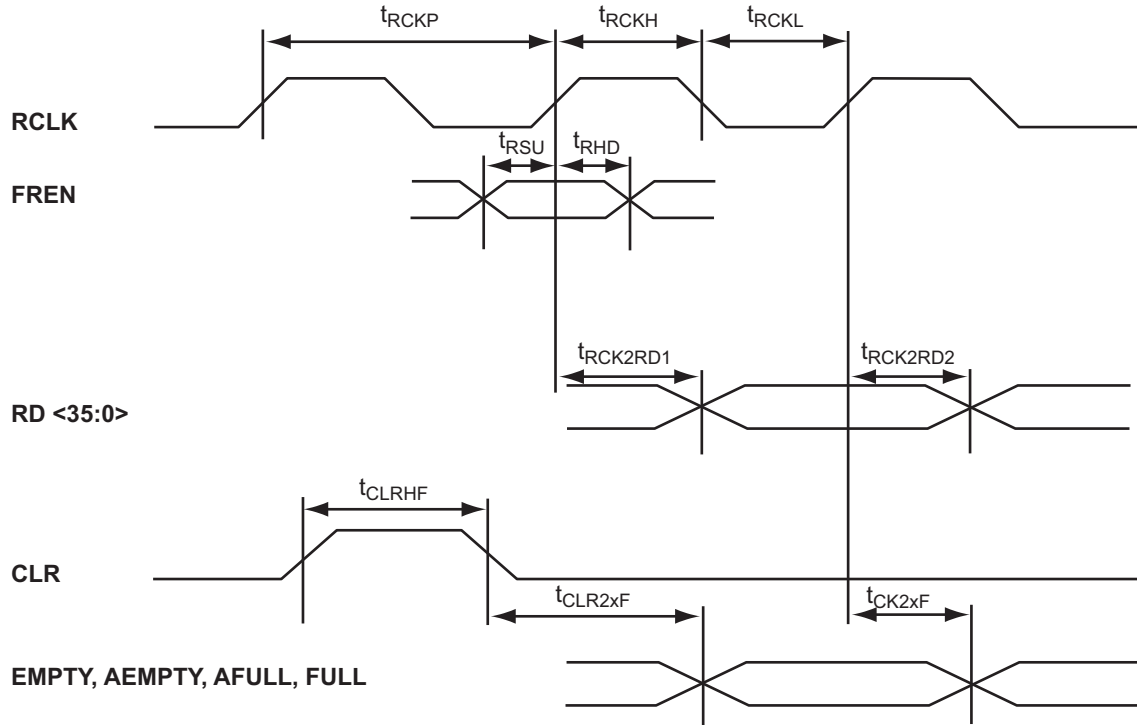


Figure 2-68 • FIFO Read Timing

Table 2-98 • One FIFO Block
Worst-Case Commercial Conditions VCCA = 1.425 V, VCCI = 3.0 V, T_J = 70°C

| Parameter | Description | -2 Speed | | -1 Speed | | Std Speed | | Units |
|---------------------------|------------------------------|----------|-------|----------|-------|-----------|-------|-------|
| | | Min. | Max. | Min. | Max. | Min. | Max. | |
| FIFO Module Timing | | | | | | | | |
| t _{WSU} | Write Setup | | 11.40 | | 12.98 | | 15.26 | ns |
| t _{WHD} | Write Hold | | 0.22 | | 0.25 | | 0.30 | ns |
| t _{WCKH} | WCLK High | | 0.75 | | 0.75 | | 0.75 | ns |
| t _{WCKL} | WCLK Low | | 0.88 | | 0.88 | | 0.88 | ns |
| t _{WCKP} | Minimum WCLK Period | 1.63 | | 1.63 | | 1.63 | | ns |
| t _{RSU} | Read Setup | | 11.63 | | 13.25 | | 15.58 | ns |
| t _{RHD} | Read Hold | | 0.00 | | 0.00 | | 0.00 | ns |
| t _{RCKH} | RCLK High | | 0.77 | | 0.77 | | 0.77 | ns |
| t _{RCKL} | RCLK Low | | 0.93 | | 0.93 | | 0.93 | ns |
| t _{RCKP} | Minimum RCLK period | 1.70 | | 1.70 | | 1.70 | | ns |
| t _{CLRHF} | Clear High | | 0.00 | | 0.00 | | 0.00 | ns |
| t _{CLR2FF} | Clear-to-flag (EMPTY/FULL) | | 1.92 | | 2.18 | | 2.57 | ns |
| t _{CLR2AF} | Clear-to-flag (AEMPTY/AFULL) | | 4.39 | | 5.00 | | 5.88 | ns |
| t _{CK2FF} | Clock-to-flag (EMPTY/FULL) | | 2.13 | | 2.42 | | 2.85 | ns |
| t _{CK2AF} | Clock-to-flag (AEMPTY/AFULL) | | 5.04 | | 5.75 | | 6.75 | ns |
| t _{RCK2RD1} | RCLK-To-OUT (Pipelined) | | 1.32 | | 1.51 | | 1.77 | ns |
| t _{RCK2RD2} | RCLK-To-OUT (Non-Pipelined) | | 2.16 | | 2.46 | | 2.90 | ns |

Note: Timing data for this single block FIFO has a depth of 4,096. For all other combinations, use Microsemi's timing software.

Table 2-99 • Two FIFO Blocks Cascaded
Worst-Case Commercial Conditions VCCA = 1.425 V, VCCI = 3.0 V, T_J = 70°C

| Parameter | Description | -2 Speed | | -1 Speed | | Std Speed | | Units |
|---------------------------|------------------------------|----------|-------|----------|-------|-----------|-------|-------|
| | | Min. | Max. | Min. | Max. | Min. | Max. | |
| FIFO Module Timing | | | | | | | | |
| t _{WSU} | Write Setup | | 13.75 | | 15.66 | | 18.41 | ns |
| t _{WHD} | Write Hold | | 0.00 | | 0.00 | | 0.00 | ns |
| t _{WCKH} | WCLK High | | 0.75 | | 0.75 | | 0.75 | ns |
| t _{WCKL} | WCLK Low | | 1.76 | | 1.76 | | 1.76 | ns |
| t _{WCKP} | Minimum WCLK Period | 2.51 | | 2.51 | | 2.51 | | ns |
| t _{RSU} | Read Setup | | 14.33 | | 16.32 | | 19.19 | ns |
| t _{RHD} | Read Hold | | 0.00 | | 0.00 | | 0.00 | ns |
| t _{RCKH} | RCLK High | | 0.73 | | 0.73 | | 0.73 | ns |
| t _{RCKL} | RCLK Low | | 1.89 | | 1.89 | | 1.89 | ns |
| t _{RCKP} | Minimum RCLK period | 2.62 | | 2.62 | | 2.62 | | ns |
| t _{CLRHF} | Clear High | | 0.00 | | 0.00 | | 0.00 | ns |
| t _{CLR2FF} | Clear-to-flag (EMPTY/FULL) | | 1.92 | | 2.18 | | 2.57 | ns |
| t _{CLR2AF} | Clear-to-flag (AEMPTY/AFULL) | | 4.39 | | 5.00 | | 5.88 | ns |
| t _{CK2FF} | Clock-to-flag (EMPTY/FULL) | | 2.13 | | 2.42 | | 2.85 | ns |
| t _{CK2AF} | Clock-to-flag (AEMPTY/AFULL) | | 5.04 | | 5.75 | | 6.75 | ns |
| t _{RCK2RD1} | RCLK-To-OUT (Pipelined) | | 1.43 | | 1.63 | | 1.92 | ns |
| t _{RCK2RD2} | RCLK-To-OUT (Nonpipelined) | | 2.26 | | 2.58 | | 3.03 | ns |

Note: Timing data for these two cascaded FIFO blocks uses a depth of 8,192. For all other combinations, use Microsemi's timing software.

Table 2-100 • Four FIFO Blocks Cascaded
Worst-Case Commercial Conditions VCCA = 1.425 V, VCCI = 3.0 V, T_J = 70°C

| Parameter | Description | -2 Speed | | -1 Speed | | Std Speed | | Units |
|---------------------------|------------------------------|----------|-------|----------|-------|-----------|-------|-------|
| | | Min. | Max. | Min. | Max. | Min. | Max. | |
| FIFO Module Timing | | | | | | | | |
| t _{WSU} | Write Setup | | 14.60 | | 16.63 | | 19.55 | ns |
| t _{WHD} | Write Hold | | 0.00 | | 0.00 | | 0.00 | ns |
| t _{WCKH} | WCLK High | | 0.75 | | 0.75 | | 0.75 | ns |
| t _{WCKL} | WCLK Low | | 2.51 | | 2.51 | | 2.51 | ns |
| t _{WCKP} | Minimum WCLK Period | 3.26 | | 3.26 | | 3.26 | | ns |
| t _{RSU} | Read Setup | | 15.27 | | 17.39 | | 20.44 | ns |
| t _{RHD} | Read Hold | | 0.00 | | 0.00 | | 0.00 | ns |
| t _{RCKH} | RCLK High | | 0.73 | | 0.73 | | 0.73 | ns |
| t _{RCKL} | RCLK Low | | 2.96 | | 2.96 | | 2.96 | ns |
| t _{RCKP} | Minimum RCLK period | 3.69 | | 3.69 | | 3.69 | | ns |
| t _{CLRHF} | Clear High | | 0.00 | | 0.00 | | 0.00 | ns |
| t _{CLR2FF} | Clear-to-flag (EMPTY/FULL) | | 1.92 | | 2.18 | | 2.57 | ns |
| t _{CLR2AF} | Clear-to-flag (AEMPTY/AFULL) | | 4.39 | | 5.00 | | 5.88 | ns |
| t _{CK2FF} | Clock-to-flag (EMPTY/FULL) | | 2.13 | | 2.42 | | 2.85 | ns |
| t _{CK2AF} | Clock-to-flag (AEMPTY/AFULL) | | 5.04 | | 5.75 | | 6.75 | ns |
| t _{RCK2RD1} | RCLK-To-OUT (Pipelined) | | 2.36 | | 2.69 | | 3.16 | ns |
| t _{RCK2RD2} | RCLK-To-OUT (Nonpipelined) | | 2.83 | | 3.23 | | 3.79 | ns |

Note: Timing data for these four cascaded FIFO blocks uses a depth of 16,384. For all other combinations, use Microsemi's timing software.

Table 2-101 • Eight FIFO Blocks Cascaded
Worst-Case Commercial Conditions VCCA = 1.425 V, VCCI = 3.0 V, T_J = 70°C

| Parameter | Description | -2 Speed | | -1 Speed | | Std Speed | | Units |
|---------------------------|------------------------------|----------|-------|----------|-------|-----------|-------|-------|
| | | Min. | Max. | Min. | Max. | Min. | Max. | |
| FIFO Module Timing | | | | | | | | |
| t _{WSU} | Write Setup | | 15.46 | | 17.61 | | 20.70 | ns |
| t _{WHD} | Write Hold | | 0.00 | | 0.00 | | 0.00 | ns |
| t _{WCKH} | WCLK High | | 0.75 | | 0.75 | | 0.75 | ns |
| t _{WCKL} | WCLK Low | | 5.13 | | 5.13 | | 5.13 | ns |
| t _{WCKP} | Minimum WCLK Period | 5.88 | | 5.88 | | 5.88 | | ns |
| t _{RSU} | Read Setup | | 16.22 | | 18.47 | | 21.72 | ns |
| t _{RHD} | Read Hold | | 0.00 | | 0.00 | | 0.00 | ns |
| t _{RCKH} | RCLK High | | 0.73 | | 0.73 | | 0.73 | ns |
| t _{RCKL} | RCLK Low | | 5.77 | | 5.77 | | 5.77 | ns |
| t _{RCKP} | Minimum RCLK period | 6.50 | | 6.50 | | 6.50 | | ns |
| t _{CLRHF} | Clear High | | 0.00 | | 0.00 | | 0.00 | ns |
| t _{CLR2FF} | Clear-to-flag (EMPTY/FULL) | | 1.92 | | 2.18 | | 2.57 | ns |
| t _{CLR2AF} | Clear-to-flag (AEMPTY/AFULL) | | 4.39 | | 5.00 | | 5.88 | ns |
| t _{CK2FF} | Clock-to-flag (EMPTY/FULL) | | 2.13 | | 2.42 | | 2.85 | ns |
| t _{CK2AF} | Clock-to-flag (AEMPTY/AFULL) | | 5.04 | | 5.75 | | 6.75 | ns |
| t _{RCK2RD1} | RCLK-To-OUT (Pipelined) | | 3.39 | | 3.86 | | 4.54 | ns |
| t _{RCK2RD2} | RCLK-To-OUT (Nonpipelined) | | 4.93 | | 5.62 | | 6.61 | ns |

Note: Timing data for these eight cascaded FIFO blocks uses a depth of 32,768. For all other combinations, use Microsemi's timing software.

Table 2-102 • Sixteen FIFO Blocks Cascaded
Worst-Case Commercial Conditions VCCA = 1.425 V, VCCI = 3.0 V, T_J = 70°C

| Parameter | Description | –2 Speed | | –1 Speed | | Std Speed | | Units |
|---------------------------|------------------------------|----------|-------|----------|-------|-----------|-------|-------|
| | | Min. | Max. | Min. | Max. | Min. | Max. | |
| FIFO Module Timing | | | | | | | | |
| t _{WSU} | Write Setup | | 16.32 | | 18.60 | | 21.86 | ns |
| t _{WHD} | Write Hold | | 0.00 | | 0.00 | | 0.00 | ns |
| t _{WCKH} | WCLK High | | 0.75 | | 0.75 | | 0.75 | ns |
| t _{WCKL} | WCLK Low | | 13.40 | | 13.40 | | 13.40 | ns |
| t _{WCKP} | Minimum WCLK Period | 14.15 | | 14.15 | | 14.15 | | ns |
| t _{RSU} | Read Setup | | 17.16 | | 19.54 | | 22.97 | ns |
| t _{RHD} | Read Hold | | 0.00 | | 0.00 | | 0.00 | ns |
| t _{RCKH} | RCLK High | | 0.73 | | 0.73 | | 0.73 | ns |
| t _{RCKL} | RCLK Low | | 14.41 | | 14.41 | | 14.41 | ns |
| t _{RCKP} | Minimum RCLK period | 15.14 | | 15.14 | | 15.14 | | ns |
| t _{CLRHF} | Clear High | | 0.00 | | 0.00 | | 0.00 | ns |
| t _{CLR2FF} | Clear-to-flag (EMPTY/FULL) | | 1.92 | | 2.18 | | 2.57 | ns |
| t _{CLR2AF} | Clear-to-flag (AEMPTY/AFULL) | | 4.39 | | 5.00 | | 5.88 | ns |
| t _{CK2FF} | Clock-to-flag (EMPTY/FULL) | | 2.13 | | 2.42 | | 2.85 | ns |
| t _{CK2AF} | Clock-to-flag (AEMPTY/AFULL) | | 5.04 | | 5.75 | | 6.75 | ns |
| t _{RCK2RD1} | RCLK-To-OUT (Pipelined) | | 12.08 | | 13.76 | | 16.17 | ns |
| t _{RCK2RD2} | RCLK-To-OUT (Nonpipelined) | | 12.83 | | 14.62 | | 17.18 | ns |

Note: Timing data for these sixteen cascaded FIFO blocks uses a depth of 65,536. For all other combinations, use Microsemi's timing software.

Building RAM and FIFO Modules

RAM and FIFO modules can be generated and included in a design in two different ways:

- Using the SmartGen Core Generator where the user defines the depth and width of the FIFO/RAM, and then instantiates this block into the design (refer to the [SmartGen](#), [FlashROM](#), [Analog System Builder](#), and [Flash Memory System Builder](#) User's Guide for more information).
- The alternative is to instantiate the RAM/FIFO blocks manually, using inverters for polarity control and tying all unused data bits to ground.

Other Architectural Features

Low Power Mode

Although designed for high performance, the AX architecture also allows the user to place the device into a low power mode. Each I/O bank in an Axcelerator device can be configured individually, when in low power mode, to tristate all outputs, disable inputs, or both. The low power mode is activated by asserting the LP pin, which is grounded in normal operation.

While in the low power mode, the device is still fully functional and all internal logic states are preserved. This allows a user to disable all but a few signals and operate the part in a low-frequency, watchdog

mode if desired. Please note, if the I/O bank is not disabled, differential I/Os belonging to the I/O bank will still consume normal power, even when operating in the low power mode.

The Axcelerator device will resume normal operation 10µs after the LP pin is pulled Low.

To further reduce power consumption, the internal charge pump can be bypassed and an external power supply voltage can be used instead. This saves the internal charge-pump operating current, resulting in no DC current draw. The Axcelerator family devices have a dedicated "V_{PUMP}" pin that can be used to access an external charge pump device. In normal chip operation, when using the internal charge pump, V_{PUMP} should be tied to GND. When the voltage level on V_{PUMP} is set to 3.3V, the internal charge pump is turned off, and the V_{PUMP} voltage will be used as the charge pump voltage. Adequate voltage regulation (i.e. high drive, low output impedance, and good decoupling) should be used at V_{PUMP}.

In addition, any PLL in use can be powered down to further reduce power consumption. This can be done with the PowerDown pin driven Low. Driving this pin High restarts the PLL with the output clock(s) being stable once lock is restored.

JTAG

Axcelerator offers a JTAG interface that is compliant with the IEEE 1149.1 standard. The user can employ the JTAG interface for probing a design and performing any JTAG Public Instructions as defined in the [Table 2-103](#).

Table 2-103 • JTAG Instruction Code

| Instruction (IR4:IR0) | Binary Code |
|-----------------------|-------------|
| Extest | 00000 |
| Preload / Sample | 00001 |
| Intest | 00010 |
| USERCODE | 00011 |
| IDCODE | 00100 |
| HIGHZ | 01110 |
| CLAMP | 01111 |
| Diagnostic | 10000 |
| Reserved | All others |
| Bypass | 11111 |

Interface

The interface consists of four inputs: Test Mode Select (TMS), Test Data In (TDI), Test Clock (TCK), TAP Controller Reset (TRST), and an output, Test Data Out (TDO). TMS, TDI, and TRST have on-chip pull-up resistors.

TRST

TRST (Test-Logic Reset) is an active-low, asynchronous reset signal to the TAP controller. The TRST input can be used to reset the Test Access Port (TAP) Controller to the TRST state. The TAP Controller can be held at this state permanently by grounding the TRST pin. To hold the JTAG TAP controller in the TRST state, it is recommended to connect TRST to ground via a 1 kΩ resistor.

There is an optional internal pull-up resistor available for the TRST input that can be set by the user at programming. Care should be exercised when using this option in combination with an external tie-off to ground.

An on-chip power-on-reset (POWRST) circuit is included. POWRST has the same function as "TRST," but it only occurs at power-up or during recovery from a VCCA and/or VCCDA voltage drop.

TDO

TDO is normally tristated, and it is active only when the TAP controller is in the "Shift_DR" state or "Shift_IR" state. The least significant bit of the selected register (i.e. IR or DR) is clocked out to TDO first by the falling edge of TCK.

TAP Controller

The TAP Controller is compliant with the IEEE Standard 1149.1. It is a state machine of 16 states that controls the Instruction Register (IR) and the Data Registers (such as BSR, IDCODE, USRCODE, BYPASS, etc.). The TAP Controller steps into one of the states depending on the sequence of TMS at the rising edges of TCK.

Instruction Register (IR)

The IR has five bits (IR4 to IR0). At the TRST state, IR is reset to IDCODE. Each time when IR is selected, it goes through "select IR-Scan," "Capture-IR," "Shift-IR," all the way through "Update-IR." When there is no test error, the first five data bits coming out of TDO during the "Shift-IR" will be "10111". If a test error occurs, the last three bits will contain one to three zeroes corresponding to negatively asserted signals: "TDO_ERRORB," "PROBA_ERRORB," and "PROBB_ERRORB." The error(s) will be erased when the TAP is at the "Update-IR" or the TRST state. When in user mode start-up sequence, if the micro-probe has not been used, the "PROBA_ERRORB" is used as a "Power-up done successfully" flag.

Data Registers (DRs)

Data registers are distributed throughout the chip. They store testing/programming vectors. The MSB of a data register is connected to TDI, while the LSB is connected to TDO. There are different types of data registers. Descriptions of the main registers are as follow:

1. IDCODE:

The IDCODE is a 20-bit hard coded JTAG Silicon Signature. It is a hardwired device ID code, which contains the Microsemi identity, part number, and version number in a specific JTAG format.

2. USRCODE:

The USRCODE is a 33-bit programmable register. However, only 20 bits are allocated to use as JTAG Silicon Signature. It is a supplementary identity code for the user to program information to distinguish different programmed parts. USRCODE fuses will read out as "zeroes" when not programmed, so only the "1" bits need to be programmed.

3. Boundary-Scan Register (BSR):

Each I/O contains three Boundary-Scan Cells. Each cell has a shift register bit, a latch, and two MUXes. The boundary-scan cells are used for the Output-enable (E), Output (O), and Input (I) registers. The bit order of the boundary-scan cells for each of them is E-O-I. The boundary-scan cells are then chained serially to form the Boundary-Scan Register (BSR). The length of the BSR is the number of I/Os in the die multiplied by three.

4. Bypass Register (BYR):

This is the "1-bit" register. It is used to shorten the TDI-TDO serial chain in board-level testing to only one bit per device not being tested. It is also selected for all "reserved" or unused instructions.

Probing

Internal activities of the JTAG interface can be observed via the Silicon Explorer II probes: "PRA," "PRB," "PRC," and "PRD."

Special Fuses

Security

Microsemi antifuse FPGAs, with FuseLock technology, offer the highest level of design security available in a programmable logic device. Since antifuse FPGAs are live-at power-up, there is no bitstream that can be intercepted, and no bitstream or programming data is ever downloaded to the device during power-up, thus protecting against device cloning. In addition, special security fuses are hidden

throughout the fabric of the device and may be programmed by the user to thwart attempts to reverse engineer the device by attempting to exploit either the programming or probing interfaces. Both invasive and noninvasive attacks against an Axcelerator device that access or bypass these security fuses will destroy access to the rest of the device. (refer to the [Design Security in Nonvolatile Flash and Antifuse FPGAs](#) white paper).

Look for this symbol to ensure your valuable IP is protected with highest level of security in the industry.



Figure 2-69 • FuseLock Logo

To ensure maximum security in Axcelerator devices, it is recommended that the user program the device security fuse (SFUS). When programmed, the Silicon Explorer II testing probes are disabled to prevent internal probing, and the programming interface is also disabled. All JTAG public instructions are still accessible by the user.

For more information, refer to the [Implementation of Security in Actel Antifuse FPGAs](#) application note.

Global Set Fuse

The Global Set Fuse determines if all R-cells and I/O registers (InReg, OutReg, and EnReg) are either cleared or preset by driving the GCLR and GPSET inputs of all R-cells and I/O Registers ([Figure 2-31 on page 2-58](#)). Default setting is to clear all registers (GCLR = 0 and GPSET = 1) at device power-up. When the GBSETFUS option is checked during FUSE file generation, all registers are preset (GCLR = 1 and GPSET = 0). A local CLR or PRESET will take precedence over this setting. Both pins are pulled High during normal device operation. For use details, see the Libero IDE online help.

Silicon Explorer II Probe Interface

Silicon Explorer II is an integrated hardware and software solution that, in conjunction with the Designer tools, allows users to examine any of the internal nets (except I/O registers) of the device while it is operating in a prototype or a production system. The user can probe up to four nodes at a time without changing the placement and routing of the design and without using any additional device resources. Highlighted nets in Designer's ChipPlanner can be accessed using Silicon Explorer II in order to observe their real time values.

Silicon Explorer II's noninvasive method does not alter timing or loading effects, thus shortening the debug cycle. In addition, Silicon Explorer II does not require relayout or additional MUXes to bring signals out to external pins, which is necessary when using programmable logic devices from other suppliers. By eliminating multiple place-and-route program cycles, the integrity of the design is maintained throughout the debug process.

Each member of the Axcelerator family has four external pads: PRA, PRB, PRC, and PRD. These can be used to bring out four probe signals from the Axcelerator device (note that the AX125 only has two probe signals that can be observed: PRA and PRB). Each core tile has up to two probe signals. To disallow probing, the SFUS security fuse in the silicon signature has to be programmed (see "[Special Fuses](#)" on [page 2-108](#)).

Silicon Explorer II connects to the host PC using a standard serial port connector. Connections to the circuit board are achieved using a nine-pin D-Sub connector ([Figure 1-9 on page 1-7](#)). Once the design has been placed-and-routed, and the Axcelerator device has been programmed, Silicon Explorer II can be connected and the Explorer software can be launched.

Silicon Explorer II comes with an additional optional PC hosted tool that emulates an 18-channel logic analyzer. Four channels are used to monitor four internal nodes, and 14 channels are available to probe external signals. The software included with the tool provides the user with an intuitive interface that allows for easy viewing and editing of signal waveforms.

Programming

Device programming is supported through the Silicon Sculptor II, a single-site, robust and compact device programmer for the PC. Up to four Silicon Sculptor IIs can be daisy-chained and controlled from a single PC host. With standalone software for the PC, Silicon Sculptor II is designed to allow concurrent programming of multiple units from the same PC when daisy-chained.

Silicon Sculptor II programs devices independently to achieve the fastest programming times possible. Each fuse is verified by Silicon Sculptor II to ensure correct programming. Furthermore, at the end of programming, there are integrity tests that are run to ensure that programming was completed properly. Not only does it test programmed and nonprogrammed fuses, Silicon Sculptor II also provides a self-test to test its own hardware extensively.

Programming an Axcelerator device using Silicon Sculptor II is similar to programming any other antifuse device. The procedure is as follows:

1. Load the *.AFM file.
2. Select the device to be programmed.
3. Begin programming.

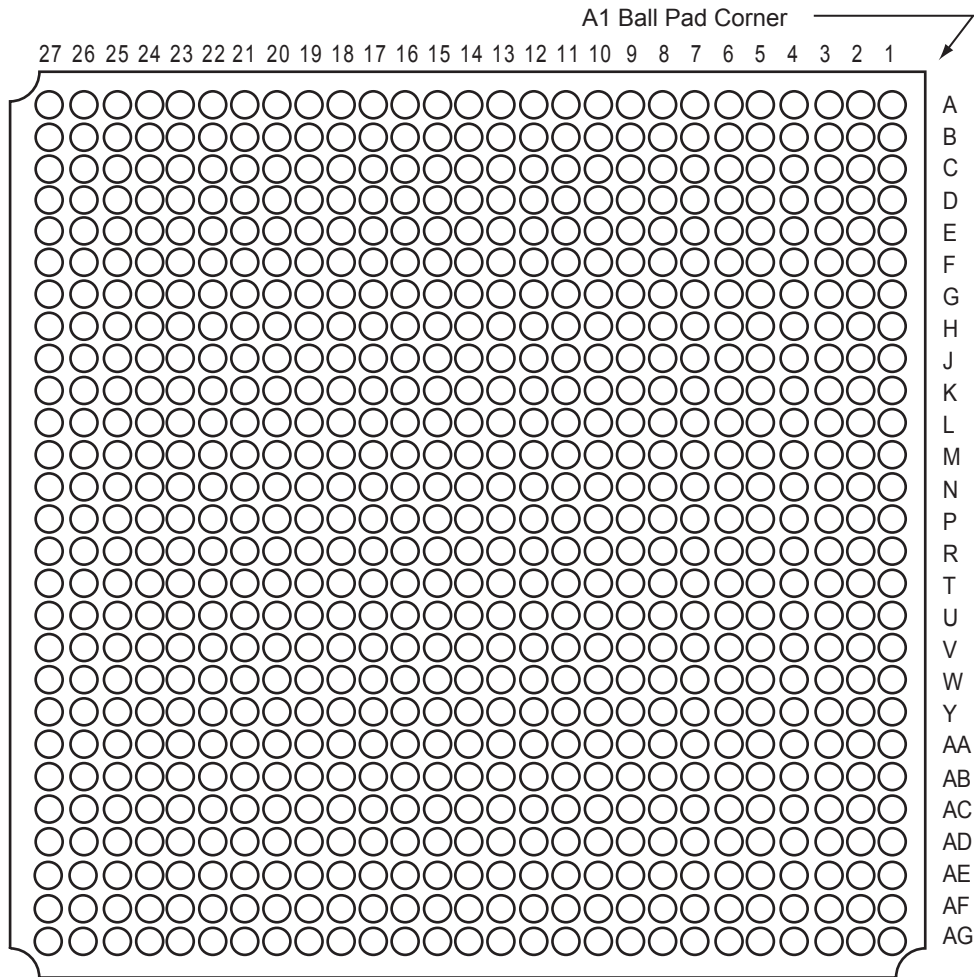
When the design is ready to go to production, Microsemi offers device volume-programming services either through distribution partners or via our In-House Programming Center.

In addition, BP Microsystems offers multi-site programmers that provide qualified support for Axcelerator devices.

For more details on programming the Axcelerator devices, please refer to the [Silicon Sculptor II User's Guide](#).

3 – Package Pin Assignments

BG729



Note

For Package Manufacturing and Environmental information, visit Resource center at <http://www.microsemi.com/soc/products/rescenter/package/index.html>.

| BG729 | |
|-----------------|------------|
| AX1000 Function | Pin Number |
| Bank 0 | |
| IO00NB0F0 | E6 |
| IO00PB0F0 | F6 |
| IO01NB0F0 | G8 |
| IO01PB0F0 | G7 |
| IO02NB0F0 | D7 |
| IO02PB0F0 | E7 |
| IO03NB0F0 | D5 |
| IO03PB0F0 | E5 |
| IO04NB0F0 | G9 |
| IO04PB0F0 | H9 |
| IO05NB0F0 | E8 |
| IO05PB0F0 | F8 |
| IO06NB0F0 | C6 |
| IO06PB0F0 | D6 |
| IO07NB0F0 | B5 |
| IO07PB0F0 | C5 |
| IO08NB0F0 | A6 |
| IO08PB0F0 | A5 |
| IO09NB0F0 | E9 |
| IO09PB0F0 | F9 |
| IO10NB0F0 | G10 |
| IO10PB0F0 | H10 |
| IO11NB0F0 | B7 |
| IO11PB0F0 | B6 |
| IO12NB0F1 | C8 |
| IO12PB0F1 | C7 |
| IO13NB0F1 | E10 |
| IO13PB0F1 | F10 |
| IO14NB0F1 | G11 |
| IO14PB0F1 | H11 |
| IO15NB0F1 | D9 |
| IO15PB0F1 | D8 |
| IO16NB0F1 | A8 |
| IO16PB0F1 | A7 |
| IO17NB0F1 | B9 |
| IO17PB0F1 | B8 |

| BG729 | |
|------------------|------------|
| AX1000 Function | Pin Number |
| IO18NB0F1 | C10 |
| IO18PB0F1 | C9 |
| IO19NB0F1 | E11 |
| IO19PB0F1 | F11 |
| IO20NB0F1 | G12 |
| IO20PB0F1 | H12 |
| IO21NB0F1 | D11 |
| IO21PB0F1 | D10 |
| IO22NB0F2 | A10 |
| IO22PB0F2 | A9 |
| IO23NB0F2 | B11 |
| IO23PB0F2 | B10 |
| IO24NB0F2 | G13 |
| IO24PB0F2 | H13 |
| IO25NB0F2 | C12 |
| IO25PB0F2 | C11 |
| IO26NB0F2 | E12 |
| IO26PB0F2 | D12 |
| IO27NB0F2 | E13 |
| IO27PB0F2 | F13 |
| IO28NB0F2 | G14 |
| IO28PB0F2 | H14 |
| IO29NB0F2 | A12 |
| IO29PB0F2 | B12 |
| IO30NB0F2/HCLKAN | C13 |
| IO30PB0F2/HCLKAP | D13 |
| IO31NB0F2/HCLKBN | F14 |
| IO31PB0F2/HCLKBP | E14 |
| Bank 1 | |
| IO32NB1F3/HCLKCN | C14 |
| IO32PB1F3/HCLKCP | B14 |
| IO33NB1F3/HCLKDN | D16 |
| IO33PB1F3/HCLKDP | D15 |
| IO34NB1F3 | B16 |
| IO34PB1F3 | A16 |
| IO35NB1F3 | E15 |
| IO35PB1F3 | F15 |

| BG729 | |
|-----------------|------------|
| AX1000 Function | Pin Number |
| IO36NB1F3 | H15 |
| IO36PB1F3 | G15 |
| IO37NB1F3 | C17 |
| IO37PB1F3 | C16 |
| IO38NB1F3 | B18 |
| IO38PB1F3 | B17 |
| IO39NB1F3 | A18 |
| IO39PB1F3 | A17 |
| IO40NB1F3 | H16 |
| IO40PB1F3 | G16 |
| IO41NB1F4 | B19 |
| IO41PB1F4 | A19 |
| IO42NB1F4 | C19 |
| IO42PB1F4 | C18 |
| IO43NB1F4 | D18 |
| IO43PB1F4 | D17 |
| IO44NB1F4 | H17 |
| IO44PB1F4 | G17 |
| IO45NB1F4 | F17 |
| IO45PB1F4 | E17 |
| IO46NB1F4 | B20 |
| IO46PB1F4 | A20 |
| IO47NB1F4 | C21 |
| IO47PB1F4 | C20 |
| IO48NB1F4 | H18 |
| IO48PB1F4 | G18 |
| IO49NB1F4 | F18 |
| IO49PB1F4 | E18 |
| IO50NB1F4 | D20 |
| IO50PB1F4 | D19 |
| IO51NB1F4 | A22 |
| IO51PB1F4 | A21 |
| IO52NB1F4 | B22 |
| IO52PB1F4 | B21 |
| IO53NB1F4 | F19 |
| IO53PB1F4 | E19 |
| IO54NB1F5 | F20 |

| BG729 | |
|-----------------|------------|
| AX1000 Function | Pin Number |
| IO54PB1F5 | E20 |
| IO55NB1F5 | E21 |
| IO55PB1F5 | D21 |
| IO56NB1F5 | H19 |
| IO56PB1F5 | G19 |
| IO57NB1F5 | D22 |
| IO57PB1F5 | C22 |
| IO58NB1F5 | B23 |
| IO58PB1F5 | A23 |
| IO59NB1F5 | D23 |
| IO59PB1F5 | C23 |
| IO60NB1F5 | G21 |
| IO60PB1F5 | G20 |
| IO61NB1F5 | E23 |
| IO61PB1F5 | E22 |
| IO62NB1F5 | F22 |
| IO62PB1F5 | F21 |
| IO63NB1F5 | H20 |
| IO63PB1F5 | J19 |
| Bank 2 | |
| IO64NB2F6 | J21 |
| IO64PB2F6 | H21 |
| IO65NB2F6 | F24 |
| IO65PB2F6 | F23 |
| IO66NB2F6 | F26 |
| IO66PB2F6 | F25 |
| IO67NB2F6 | E26 |
| IO67PB2F6 | E25 |
| IO68NB2F6 | J22 |
| IO68PB2F6 | H22 |
| IO69NB2F6 | G24 |
| IO69PB2F6 | G23 |
| IO70NB2F6 | K20 |
| IO70PB2F6 | J20 |
| IO71NB2F6 | G26 |
| IO71PB2F6 | G25 |
| IO72NB2F6 | J24 |

| BG729 | |
|-----------------|------------|
| AX1000 Function | Pin Number |
| IO72PB2F6 | J23 |
| IO73NB2F6 | H24 |
| IO73PB2F6 | H23 |
| IO74NB2F7 | L21 |
| IO74PB2F7 | K21 |
| IO75NB2F7 | G27 |
| IO75PB2F7 | F27 |
| IO76NB2F7 | K23 |
| IO76PB2F7 | K22 |
| IO77NB2F7 | H26 |
| IO77PB2F7 | H25 |
| IO78NB2F7 | K25 |
| IO78PB2F7 | K24 |
| IO79NB2F7 | J26 |
| IO79PB2F7 | J25 |
| IO80NB2F7 | M20 |
| IO80PB2F7 | L20 |
| IO81NB2F7 | J27 |
| IO81PB2F7 | H27 |
| IO82NB2F7 | L23 |
| IO82PB2F7 | L22 |
| IO83NB2F7 | L25 |
| IO83PB2F7 | L24 |
| IO84NB2F7 | N21 |
| IO84PB2F7 | M21 |
| IO85NB2F8 | K27 |
| IO85PB2F8 | K26 |
| IO86NB2F8 | M23 |
| IO86PB2F8 | M22 |
| IO87NB2F8 | M25 |
| IO87PB2F8 | M24 |
| IO88NB2F8 | L27 |
| IO88PB2F8 | L26 |
| IO89NB2F8 | M27 |
| IO89PB2F8 | M26 |
| IO90NB2F8 | N23 |
| IO90PB2F8 | N22 |

| BG729 | |
|-----------------|------------|
| AX1000 Function | Pin Number |
| IO91NB2F8 | N25 |
| IO91PB2F8 | N24 |
| IO92NB2F8 | N27 |
| IO92PB2F8 | N26 |
| IO93NB2F8 | P26 |
| IO93PB2F8 | P27 |
| IO94NB2F8 | N19 |
| IO94PB2F8 | N20 |
| IO95NB2F8 | P23 |
| IO95PB2F8 | P22 |
| Bank 3 | |
| IO96NB3F9 | P25 |
| IO96PB3F9 | P24 |
| IO97NB3F9 | R26 |
| IO97PB3F9 | R27 |
| IO98NB3F9 | P21 |
| IO98PB3F9 | P20 |
| IO99NB3F9 | R24 |
| IO99PB3F9 | R25 |
| IO100NB3F9 | T26 |
| IO100PB3F9 | T27 |
| IO101NB3F9 | T24 |
| IO101PB3F9 | T25 |
| IO102NB3F9 | R20 |
| IO102PB3F9 | R21 |
| IO103NB3F9 | R23 |
| IO103PB3F9 | R22 |
| IO104NB3F9 | U26 |
| IO104PB3F9 | U27 |
| IO105NB3F9 | U24 |
| IO105PB3F9 | U25 |
| IO106NB3F9 | R19 |
| IO106PB3F9 | P19 |
| IO107NB3F10 | V26 |
| IO107PB3F10 | V27 |
| IO108NB3F10 | T23 |
| IO108PB3F10 | T22 |

| BG729 | |
|-----------------|------------|
| AX1000 Function | Pin Number |
| IO109NB3F10 | V24 |
| IO109PB3F10 | V25 |
| IO110NB3F10 | T20 |
| IO110PB3F10 | T21 |
| IO111NB3F10 | W26 |
| IO111PB3F10 | W27 |
| IO112NB3F10 | U22 |
| IO112PB3F10 | U23 |
| IO113NB3F10 | Y26 |
| IO113PB3F10 | Y27 |
| IO114NB3F10 | U20 |
| IO114PB3F10 | U21 |
| IO115NB3F10 | W24 |
| IO115PB3F10 | W25 |
| IO116NB3F10 | V22 |
| IO116PB3F10 | V23 |
| IO117NB3F10 | Y24 |
| IO117PB3F10 | Y25 |
| IO118NB3F11 | V20 |
| IO118PB3F11 | V21 |
| IO119NB3F11 | AA26 |
| IO119PB3F11 | AA27 |
| IO120NB3F11 | W22 |
| IO120PB3F11 | W23 |
| IO121NB3F11 | AA24 |
| IO121PB3F11 | AA25 |
| IO122NB3F11 | W20 |
| IO122PB3F11 | W21 |
| IO123NB3F11 | AB26 |
| IO123PB3F11 | AB27 |
| IO124NB3F11 | Y22 |
| IO124PB3F11 | Y23 |
| IO125NB3F11 | AB24 |
| IO125PB3F11 | AB25 |
| IO126NB3F11 | AA22 |
| IO126PB3F11 | AA23 |
| IO127NB3F11 | AC26 |

| BG729 | |
|-----------------|------------|
| AX1000 Function | Pin Number |
| IO127PB3F11 | AC27 |
| IO128NB3F11 | Y20 |
| IO128PB3F11 | W19 |
| Bank 4 | |
| IO129NB4F12 | AA20 |
| IO129PB4F12 | Y21 |
| IO130NB4F12 | AB22 |
| IO130PB4F12 | AB23 |
| IO131NB4F12 | AC22 |
| IO131PB4F12 | AC23 |
| IO132NB4F12 | AD23 |
| IO132PB4F12 | AD24 |
| IO133NB4F12 | AF23 |
| IO133PB4F12 | AE23 |
| IO134NB4F12 | AC21 |
| IO134PB4F12 | AB21 |
| IO135NB4F12 | AC20 |
| IO135PB4F12 | AB20 |
| IO136NB4F12 | AD21 |
| IO136PB4F12 | AD22 |
| IO137NB4F12 | Y19 |
| IO137PB4F12 | AA19 |
| IO138NB4F12 | AE21 |
| IO138PB4F12 | AE22 |
| IO139NB4F13 | AF21 |
| IO139PB4F13 | AF22 |
| IO140NB4F13 | AG22 |
| IO140PB4F13 | AG23 |
| IO141NB4F13 | Y18 |
| IO141PB4F13 | AA18 |
| IO142NB4F13 | AE20 |
| IO142PB4F13 | AD20 |
| IO143NB4F13 | AG20 |
| IO143PB4F13 | AG21 |
| IO144NB4F13 | AC19 |
| IO144PB4F13 | AB19 |
| IO145NB4F13 | AD18 |

| BG729 | |
|-------------------|------------|
| AX1000 Function | Pin Number |
| IO145PB4F13 | AD19 |
| IO146NB4F13 | AC18 |
| IO146PB4F13 | AB18 |
| IO147NB4F13 | Y17 |
| IO147PB4F13 | AA17 |
| IO148NB4F13 | AF19 |
| IO148PB4F13 | AF20 |
| IO149NB4F13 | AC17 |
| IO149PB4F13 | AB17 |
| IO150NB4F13 | AE18 |
| IO150PB4F13 | AE19 |
| IO151NB4F13 | AA16 |
| IO151PB4F13 | Y16 |
| IO152NB4F14 | AG18 |
| IO152PB4F14 | AG19 |
| IO153NB4F14 | AC16 |
| IO153PB4F14 | AB16 |
| IO154NB4F14 | AF17 |
| IO154PB4F14 | AF18 |
| IO155NB4F14 | AB15 |
| IO155PB4F14 | AC15 |
| IO156NB4F14 | AE16 |
| IO156PB4F14 | AE17 |
| IO157NB4F14 | Y15 |
| IO157PB4F14 | AA15 |
| IO158NB4F14 | AG16 |
| IO158PB4F14 | AG17 |
| IO159NB4F14/CLKEN | AF15 |
| IO159PB4F14/CLKEP | AF16 |
| IO160NB4F14/CLKFN | AD14 |
| IO160PB4F14/CLKFP | AD15 |
| Bank 5 | |
| IO161NB5F15/CLKGN | AE14 |
| IO161PB5F15/CLKGP | AE15 |
| IO162NB5F15/CLKHN | AC13 |
| IO162PB5F15/CLKHP | AD13 |
| IO163NB5F15 | Y14 |

| BG729 | |
|-----------------|------------|
| AX1000 Function | Pin Number |
| IO163PB5F15 | AA14 |
| IO164NB5F15 | AE13 |
| IO164PB5F15 | AF13 |
| IO165NB5F15 | AF12 |
| IO165PB5F15 | AG12 |
| IO166NB5F15 | AD12 |
| IO166PB5F15 | AE12 |
| IO167NB5F15 | Y13 |
| IO167PB5F15 | AA13 |
| IO168NB5F15 | AD11 |
| IO168PB5F15 | AE11 |
| IO169NB5F15 | AG11 |
| IO169PB5F15 | AF11 |
| IO170NB5F15 | AB11 |
| IO170PB5F15 | AC11 |
| IO171NB5F16 | AF10 |
| IO171PB5F16 | AG10 |
| IO172NB5F16 | AD10 |
| IO172PB5F16 | AE10 |
| IO173NB5F16 | Y12 |
| IO173PB5F16 | AA12 |
| IO174NB5F16 | AB10 |
| IO174PB5F16 | AC10 |
| IO175NB5F16 | AF9 |
| IO175PB5F16 | AG9 |
| IO176NB5F16 | AD9 |
| IO176PB5F16 | AE9 |
| IO177NB5F16 | Y11 |
| IO177PB5F16 | AA11 |
| IO178NB5F16 | AF8 |
| IO178PB5F16 | AG8 |
| IO179NB5F16 | AD8 |
| IO179PB5F16 | AE8 |
| IO180NB5F16 | AB9 |
| IO180PB5F16 | AC9 |
| IO181NB5F17 | Y10 |
| IO181PB5F17 | AA10 |

| BG729 | |
|-----------------|------------|
| AX1000 Function | Pin Number |
| IO182NB5F17 | AF7 |
| IO182PB5F17 | AG7 |
| IO183NB5F17 | AD7 |
| IO183PB5F17 | AE7 |
| IO184NB5F17 | AC7 |
| IO184PB5F17 | AC8 |
| IO185NB5F17 | AF6 |
| IO185PB5F17 | AG6 |
| IO186NB5F17 | AB7 |
| IO186PB5F17 | AB8 |
| IO187NB5F17 | Y9 |
| IO187PB5F17 | AA9 |
| IO188NB5F17 | AD6 |
| IO188PB5F17 | AE6 |
| IO189NB5F17 | AB6 |
| IO189PB5F17 | AC6 |
| IO190NB5F17 | AF5 |
| IO190PB5F17 | AG5 |
| IO191NB5F17 | AA6 |
| IO191PB5F17 | AA7 |
| IO192NB5F17 | Y8 |
| IO192PB5F17 | AA8 |
| Bank 6 | |
| IO193NB6F18 | W8 |
| IO193PB6F18 | Y7 |
| IO194NB6F18 | AB5 |
| IO194PB6F18 | AC5 |
| IO195NB6F18 | AC2 |
| IO195PB6F18 | AC3 |
| IO196NB6F18 | AC4 |
| IO196PB6F18 | AD4 |
| IO197NB6F18 | Y5 |
| IO197PB6F18 | Y6 |
| IO198NB6F18 | AB3 |
| IO198PB6F18 | AB4 |
| IO199NB6F18 | V7 |
| IO199PB6F18 | W7 |

| BG729 | |
|-----------------|------------|
| AX1000 Function | Pin Number |
| IO200NB6F18 | AA4 |
| IO200PB6F18 | AA5 |
| IO201NB6F18 | W5 |
| IO201PB6F18 | W6 |
| IO202NB6F18 | AB1 |
| IO202PB6F18 | AC1 |
| IO203NB6F19 | Y3 |
| IO203PB6F19 | AA3 |
| IO204NB6F19 | AA2 |
| IO204PB6F19 | AB2 |
| IO205NB6F19 | U8 |
| IO205PB6F19 | V8 |
| IO206NB6F19 | V5 |
| IO206PB6F19 | V6 |
| IO207NB6F19 | Y1 |
| IO207PB6F19 | AA1 |
| IO208NB6F19 | W4 |
| IO208PB6F19 | Y4 |
| IO209NB6F19 | T7 |
| IO209PB6F19 | U7 |
| IO210NB6F19 | W2 |
| IO210PB6F19 | Y2 |
| IO211NB6F19 | U5 |
| IO211PB6F19 | U6 |
| IO212NB6F19 | V3 |
| IO212PB6F19 | W3 |
| IO213NB6F19 | R9 |
| IO213PB6F19 | T8 |
| IO214NB6F20 | U4 |
| IO214PB6F20 | V4 |
| IO215NB6F20 | T5 |
| IO215PB6F20 | T6 |
| IO216NB6F20 | V1 |
| IO216PB6F20 | W1 |
| IO217NB6F20 | R7 |
| IO217PB6F20 | R8 |
| IO218NB6F20 | U2 |

| BG729 | |
|-----------------|------------|
| AX1000 Function | Pin Number |
| IO218PB6F20 | V2 |
| IO219NB6F20 | T1 |
| IO219PB6F20 | U1 |
| IO220NB6F20 | R5 |
| IO220PB6F20 | R6 |
| IO221NB6F20 | T3 |
| IO221PB6F20 | T4 |
| IO222NB6F20 | R2 |
| IO222PB6F20 | T2 |
| IO223NB6F20 | P8 |
| IO223PB6F20 | P9 |
| IO224NB6F20 | R3 |
| IO224PB6F20 | R4 |
| Bank 7 | |
| IO225NB7F21 | P1 |
| IO225PB7F21 | R1 |
| IO226NB7F21 | P3 |
| IO226PB7F21 | P2 |
| IO227NB7F21 | N7 |
| IO227PB7F21 | P7 |
| IO228NB7F21 | P5 |
| IO228PB7F21 | P4 |
| IO229NB7F21 | N2 |
| IO229PB7F21 | N1 |
| IO230NB7F21 | N6 |
| IO230PB7F21 | P6 |
| IO231NB7F21 | N9 |
| IO231PB7F21 | N8 |
| IO232NB7F21 | N4 |
| IO232PB7F21 | N3 |
| IO233NB7F21 | M2 |
| IO233PB7F21 | M1 |
| IO234NB7F21 | M4 |
| IO234PB7F21 | M3 |
| IO235NB7F21 | M5 |
| IO235PB7F21 | N5 |
| IO236NB7F22 | L2 |

| BG729 | |
|-----------------|------------|
| AX1000 Function | Pin Number |
| IO236PB7F22 | L1 |
| IO237NB7F22 | L4 |
| IO237PB7F22 | L3 |
| IO238NB7F22 | L6 |
| IO238PB7F22 | M6 |
| IO239NB7F22 | M8 |
| IO239PB7F22 | M7 |
| IO240NB7F22 | K2 |
| IO240PB7F22 | K1 |
| IO241NB7F22 | K4 |
| IO241PB7F22 | K3 |
| IO242NB7F22 | K5 |
| IO242PB7F22 | L5 |
| IO243NB7F22 | J2 |
| IO243PB7F22 | J1 |
| IO244NB7F22 | J4 |
| IO244PB7F22 | J3 |
| IO245NB7F22 | H2 |
| IO245PB7F22 | H1 |
| IO246NB7F22 | H4 |
| IO246PB7F22 | H3 |
| IO247NB7F23 | L8 |
| IO247PB7F23 | L7 |
| IO248NB7F23 | J6 |
| IO248PB7F23 | K6 |
| IO249NB7F23 | H5 |
| IO249PB7F23 | J5 |
| IO250NB7F23 | G2 |
| IO250PB7F23 | G1 |
| IO251NB7F23 | K8 |
| IO251PB7F23 | K7 |
| IO252NB7F23 | G4 |
| IO252PB7F23 | G3 |
| IO253NB7F23 | F2 |
| IO253PB7F23 | F1 |
| IO254NB7F23 | G6 |
| IO254PB7F23 | H6 |

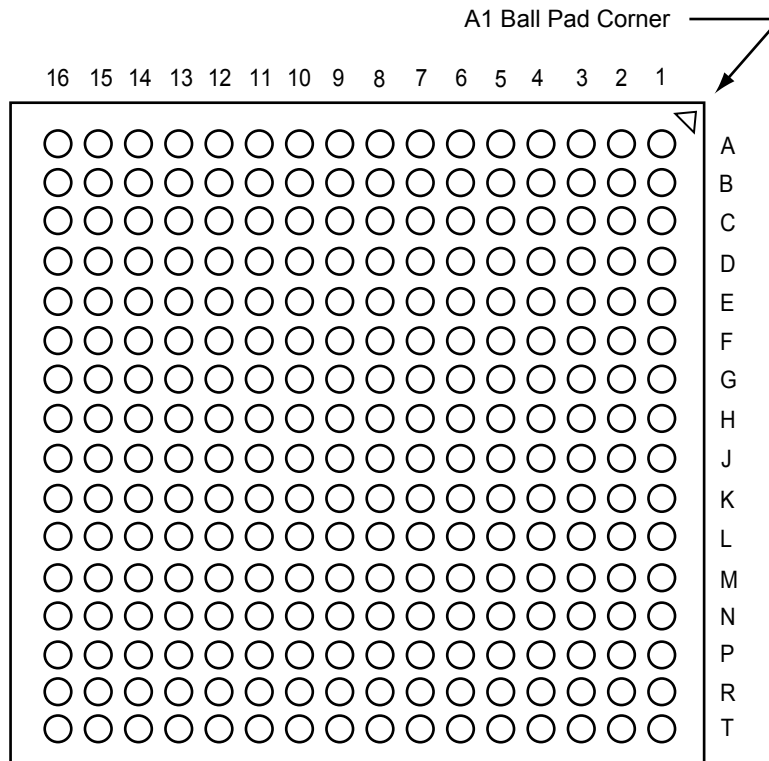
| BG729 | |
|----------------------|------------|
| AX1000 Function | Pin Number |
| IO255NB7F23 | F5 |
| IO255PB7F23 | G5 |
| IO256NB7F23 | F3 |
| IO256PB7F23 | F4 |
| IO257NB7F23 | H7 |
| IO257PB7F23 | J7 |
| Dedicated I/O | |
| GND | A1 |
| GND | A2 |
| GND | A25 |
| GND | A26 |
| GND | A27 |
| GND | A3 |
| GND | AC24 |
| GND | AE1 |
| GND | AE2 |
| GND | AE25 |
| GND | AE26 |
| GND | AE27 |
| GND | AE3 |
| GND | AE5 |
| GND | AF1 |
| GND | AF2 |
| GND | AF25 |
| GND | AF26 |
| GND | AF27 |
| GND | AF3 |
| GND | AG1 |
| GND | AG2 |
| GND | AG25 |
| GND | AG26 |
| GND | AG27 |
| GND | AG3 |
| GND | B1 |
| GND | B2 |
| GND | B25 |
| GND | B26 |

| BG729 | | BG729 | | BG729 | |
|-----------------|------------|-----------------|------------|-----------------|------------|
| AX1000 Function | Pin Number | AX1000 Function | Pin Number | AX1000 Function | Pin Number |
| GND | B27 | GND | R11 | VCCA | K11 |
| GND | B3 | GND | R12 | VCCA | K17 |
| GND | C1 | GND | R13 | VCCA | K18 |
| GND | C2 | GND | R14 | VCCA | L10 |
| GND | C25 | GND | R15 | VCCA | L18 |
| GND | C26 | GND | R16 | VCCA | U10 |
| GND | C27 | GND | R17 | VCCA | U18 |
| GND | C3 | GND | T11 | VCCA | V10 |
| GND | E27 | GND | T12 | VCCA | V11 |
| GND | L11 | GND | T13 | VCCA | V17 |
| GND | L12 | GND | T14 | VCCA | V18 |
| GND | L13 | GND | T15 | VCCPLA | A13 |
| GND | L14 | GND | T16 | VCCPLB | J13 |
| GND | L15 | GND | T17 | VCCPLC | B15 |
| GND | L16 | GND | U11 | VCCPLD | C15 |
| GND | L17 | GND | U12 | VCCPLE | AG14 |
| GND | M11 | GND | U13 | VCCPLF | AF14 |
| GND | M12 | GND | U14 | VCCPLG | AB13 |
| GND | M13 | GND | U15 | VCCPLH | AG13 |
| GND | M14 | GND | U16 | VCCDA | A11 |
| GND | M15 | GND | U17 | VCCDA | AB12 |
| GND | M16 | GND/LP | J8 | VCCDA | AC12 |
| GND | M17 | NC | U3 | VCCDA | AC25 |
| GND | N11 | PRA | J14 | VCCDA | AD16 |
| GND | N12 | PRB | D14 | VCCDA | AD17 |
| GND | N13 | PRC | V14 | VCCDA | E16 |
| GND | N14 | PRD | AB14 | VCCDA | E2 |
| GND | N15 | TCK | E4 | VCCDA | E24 |
| GND | N16 | TDI | D4 | VCCDA | F12 |
| GND | N17 | TDO | J9 | VCCDA | F16 |
| GND | P11 | TMS | H8 | VCCDA | F7 |
| GND | P12 | TRST | E3 | VCCDA | K14 |
| GND | P13 | VCCA | AA21 | VCCDA | P10 |
| GND | P14 | VCCA | AD5 | VCCDA | P18 |
| GND | P15 | VCCA | E1 | VCCDA | W14 |
| GND | P16 | VCCA | G22 | VCCDA | W9 |
| GND | P17 | VCCA | K10 | VCCIB0 | A4 |

| BG729 | |
|-----------------|------------|
| AX1000 Function | Pin Number |
| VCCIB0 | B4 |
| VCCIB0 | C4 |
| VCCIB0 | J10 |
| VCCIB0 | J11 |
| VCCIB0 | J12 |
| VCCIB0 | K12 |
| VCCIB0 | K13 |
| VCCIB1 | A24 |
| VCCIB1 | B24 |
| VCCIB1 | C24 |
| VCCIB1 | J16 |
| VCCIB1 | J17 |
| VCCIB1 | J18 |
| VCCIB1 | K15 |
| VCCIB1 | K16 |
| VCCIB2 | D25 |
| VCCIB2 | D26 |
| VCCIB2 | D27 |
| VCCIB2 | K19 |
| VCCIB2 | L19 |
| VCCIB2 | M18 |
| VCCIB2 | M19 |
| VCCIB2 | N18 |
| VCCIB3 | AD25 |
| VCCIB3 | AD26 |
| VCCIB3 | AD27 |
| VCCIB3 | R18 |
| VCCIB3 | T18 |
| VCCIB3 | T19 |
| VCCIB3 | U19 |
| VCCIB3 | V19 |
| VCCIB4 | AE24 |
| VCCIB4 | AF24 |
| VCCIB4 | AG24 |
| VCCIB4 | V15 |
| VCCIB4 | V16 |
| VCCIB4 | W16 |

| BG729 | |
|-----------------|------------|
| AX1000 Function | Pin Number |
| VCCIB4 | W17 |
| VCCIB4 | W18 |
| VCCIB5 | AE4 |
| VCCIB5 | AF4 |
| VCCIB5 | AG4 |
| VCCIB5 | V12 |
| VCCIB5 | V13 |
| VCCIB5 | W10 |
| VCCIB5 | W11 |
| VCCIB5 | W12 |
| VCCIB6 | AD1 |
| VCCIB6 | AD2 |
| VCCIB6 | AD3 |
| VCCIB6 | R10 |
| VCCIB6 | T10 |
| VCCIB6 | T9 |
| VCCIB6 | U9 |
| VCCIB6 | V9 |
| VCCIB7 | D1 |
| VCCIB7 | D2 |
| VCCIB7 | D3 |
| VCCIB7 | K9 |
| VCCIB7 | L9 |
| VCCIB7 | M10 |
| VCCIB7 | M9 |
| VCCIB7 | N10 |
| VCOMPLA | B13 |
| VCOMPLB | A14 |
| VCOMPLC | A15 |
| VCOMPLD | J15 |
| VCOMPLE | AG15 |
| VCOMPLF | W15 |
| VCOMPLG | AC14 |
| VCOMPLH | W13 |
| VPUMP | D24 |

FG256



Note

For Package Manufacturing and Environmental information, visit Resource center at <http://www.microsemi.com/soc/products/rescenter/package/index.html>.

| FG256-Pin FBGA | | FG256-Pin FBGA | | FG256-Pin FBGA | |
|------------------|------------|----------------|------------|-----------------|------------|
| AX125 Function | Pin Number | AX125 Function | Pin Number | AX125 Function | Pin Number |
| Bank 0 | | IO20NB2F2 | F15 | IO41PB3F3 | L14 |
| IO01NB0F0 | B4 | IO20PB2F2 | E15 | Bank 4 | |
| IO01PB0F0 | B3 | IO21NB2F2 | C16 | IO42NB4F4 | N12 |
| IO03NB0F0 | A4 | IO21PB2F2 | B16 | IO42PB4F4 | N13 |
| IO03PB0F0 | A3 | IO22NB2F2 | H13 | IO43NB4F4 | T14 |
| IO04NB0F0 | B6 | IO22PB2F2 | G13 | IO43PB4F4 | R14 |
| IO04PB0F0 | B5 | IO23NB2F2 | E16 | IO44PB4F4 | T15 |
| IO06NB0F0 | A6 | IO23PB2F2 | D16 | IO45NB4F4 | R12 |
| IO06PB0F0 | A5 | IO25NB2F2 | H15 | IO45PB4F4 | R13 |
| IO07NB0F0/HCLKAN | B8 | IO25PB2F2 | G15 | IO46NB4F4 | P11 |
| IO07PB0F0/HCLKAP | B7 | IO26NB2F2 | H14 | IO46PB4F4 | P12 |
| IO08NB0F0/HCLKBN | A9 | IO26PB2F2 | G14 | IO47PB4F4 | T11 |
| IO08PB0F0/HCLKBP | A8 | IO27NB2F2 | G16 | IO48NB4F4 | T12 |
| Bank 1 | | IO27PB2F2 | F16 | IO48PB4F4 | T13 |
| IO09NB1F1/HCLKCN | C10 | IO28NB2F2 | K15 | IO49NB4F4/CLKEN | R9 |
| IO09PB1F1/HCLKCP | C9 | IO28PB2F2 | K16 | IO49PB4F4/CLKEP | R10 |
| IO10NB1F1/HCLKDN | B11 | IO29NB2F2 | J16 | IO50NB4F4/CLKFN | T8 |
| IO10PB1F1/HCLKDP | B10 | IO29PB2F2 | H16 | IO50PB4F4/CLKFP | T9 |
| IO12NB1F1 | A13 | Bank 3 | | Bank 5 | |
| IO12PB1F1 | A12 | IO30NB3F3 | K13 | IO51NB5F5/CLKGN | P7 |
| IO13NB1F1 | B13 | IO30PB3F3 | J13 | IO51PB5F5/CLKGP | P8 |
| IO13PB1F1 | B12 | IO31NB3F3 | K14 | IO52NB5F5/CLKHN | R6 |
| IO14NB1F1 | C12 | IO31PB3F3 | J14 | IO52PB5F5/CLKHP | R7 |
| IO14PB1F1 | C11 | IO33NB3F3 | L15 | IO54NB5F5 | T5 |
| IO15NB1F1 | A15 | IO33PB3F3 | L16 | IO54PB5F5 | T6 |
| IO15PB1F1 | B14 | IO35NB3F3 | P16 | IO55NB5F5 | P5 |
| IO16NB1F1 | C15 | IO35PB3F3 | N16 | IO55PB5F5 | P6 |
| IO16PB1F1 | C14 | IO36PB3F3 | M16 | IO56NB5F5 | T3 |
| IO17NB1F1 | D13 | IO37NB3F3 | P15 | IO56PB5F5 | T4 |
| IO17PB1F1 | D12 | IO37PB3F3 | R16 | IO57NB5F5 | R3 |
| Bank 2 | | IO39NB3F3 | N15 | IO57PB5F5 | R4 |
| IO18NB2F2 | F13 | IO39PB3F3 | M15 | IO58NB5F5 | R1 |
| IO18PB2F2 | E13 | IO40NB3F3 | M13 | IO58PB5F5 | T2 |
| IO19NB2F2 | F14 | IO40PB3F3 | L13 | IO59NB5F5 | N4 |
| IO19PB2F2 | E14 | IO41NB3F3 | M14 | IO59PB5F5 | N5 |

| FG256-Pin FBGA | |
|----------------|------------|
| AX125 Function | Pin Number |
| Bank 6 | |
| IO60NB6F6 | L4 |
| IO60PB6F6 | M4 |
| IO61NB6F6 | L3 |
| IO61PB6F6 | M3 |
| IO63NB6F6 | P2 |
| IO63PB6F6 | N2 |
| IO64NB6F6 | J4 |
| IO64PB6F6 | K4 |
| IO65NB6F6 | N1 |
| IO65PB6F6 | P1 |
| IO67NB6F6 | L2 |
| IO67PB6F6 | M2 |
| IO69NB6F6 | L1 |
| IO69PB6F6 | M1 |
| IO70NB6F6 | J3 |
| IO70PB6F6 | K3 |
| IO71NB6F6 | J2 |
| IO71PB6F6 | K2 |
| Bank 7 | |
| IO72NB7F7 | J1 |
| IO72PB7F7 | K1 |
| IO73NB7F7 | G2 |
| IO73PB7F7 | H2 |
| IO74NB7F7 | G3 |
| IO74PB7F7 | H3 |
| IO75NB7F7 | E1 |
| IO75PB7F7 | F1 |
| IO76NB7F7 | G1 |
| IO77NB7F7 | E2 |
| IO77PB7F7 | F2 |
| IO78NB7F7 | G4 |
| IO78PB7F7 | H4 |
| IO79NB7F7 | C1 |
| IO79PB7F7 | D1 |

| FG256-Pin FBGA | |
|----------------------|------------|
| AX125 Function | Pin Number |
| IO81NB7F7 | C2 |
| IO81PB7F7 | B1 |
| IO82NB7F7 | D2 |
| IO82PB7F7 | D3 |
| IO83NB7F7 | E3 |
| IO83PB7F7 | F3 |
| Dedicated I/O | |
| VCCDA | E4 |
| GND | A1 |
| GND | A16 |
| GND | B15 |
| GND | B2 |
| GND | D15 |
| GND | E12 |
| GND | E5 |
| GND | F11 |
| GND | F6 |
| GND | G10 |
| GND | G7 |
| GND | G8 |
| GND | G9 |
| GND | H10 |
| GND | H7 |
| GND | H8 |
| GND | H9 |
| GND | J10 |
| GND | J7 |
| GND | J8 |
| GND | J9 |
| GND | K10 |
| GND | K7 |
| GND | K8 |
| GND | K9 |
| GND | L11 |
| GND | L6 |

| FG256-Pin FBGA | |
|----------------|------------|
| AX125 Function | Pin Number |
| GND | M12 |
| GND | M5 |
| GND | P13 |
| GND | P3 |
| GND | R15 |
| GND | R2 |
| GND | T1 |
| GND | T16 |
| GND/LP | D4 |
| NC | A11 |
| NC | R11 |
| NC | R5 |
| PRA | D8 |
| PRB | C8 |
| PRC | N9 |
| PRD | P9 |
| TCK | D5 |
| TDI | C6 |
| TDO | C4 |
| TMS | C3 |
| TRST | C5 |
| VCCA | D14 |
| VCCA | F10 |
| VCCA | F4 |
| VCCA | F7 |
| VCCA | F8 |
| VCCA | F9 |
| VCCA | G11 |
| VCCA | G6 |
| VCCA | H11 |
| VCCA | H6 |
| VCCA | J11 |
| VCCA | J6 |
| VCCA | K11 |
| VCCA | K6 |

| FG256-Pin FBGA | |
|-------------------|------------|
| AX125 Function | Pin Number |
| VCCA | L10 |
| VCCA | L7 |
| VCCA | L8 |
| VCCA | L9 |
| VCCA | N3 |
| VCCA | P14 |
| VCCPLA | C7 |
| VCCPLB | D6 |
| VCCPLC | A10 |
| VCCPLD | D10 |
| VCCPLE | P10 |
| VCCPLF | N11 |
| VCCPLG | T7 |
| VCCPLH | N7 |
| VCCDA | A2 |
| VCCDA | C13 |
| VCCDA | D9 |
| V _{CCDA} | H1 |
| VCCDA | J15 |
| VCCDA | N14 |
| VCCDA | N8 |
| VCCDA | P4 |
| VCCIB0 | E6 |
| VCCIB0 | E7 |
| VCCIB0 | E8 |
| VCCIB1 | E10 |
| VCCIB1 | E11 |
| VCCIB1 | E9 |
| VCCIB2 | F12 |
| VCCIB2 | G12 |
| VCCIB2 | H12 |
| VCCIB3 | J12 |
| VCCIB3 | K12 |
| VCCIB3 | L12 |
| VCCIB4 | M10 |

| FG256-Pin FBGA | |
|----------------|------------|
| AX125 Function | Pin Number |
| VCCIB4 | M11 |
| VCCIB4 | M9 |
| VCCIB5 | M6 |
| VCCIB5 | M7 |
| VCCIB5 | M8 |
| VCCIB6 | J5 |
| VCCIB6 | K5 |
| VCCIB6 | L5 |
| VCCIB7 | F5 |
| VCCIB7 | G5 |
| VCCIB7 | H5 |
| VCOMPLA | A7 |
| VCOMPLB | D7 |
| VCOMPLC | B9 |
| VCOMPLD | D11 |
| VCOMPLE | T10 |
| VCOMPLF | N10 |
| VCOMPLG | R8 |
| VCOMPLH | N6 |
| VPUMP | A14 |

| FG256 | |
|------------------|------------|
| AX250 Function | Pin Number |
| Bank 0 | |
| IO01NB0F0 | B4 |
| IO01PB0F0 | B3 |
| IO03NB0F0 | A4 |
| IO03PB0F0 | A3 |
| IO05NB0F0 | B6 |
| IO05PB0F0 | B5 |
| IO07NB0F0 | A6 |
| IO07PB0F0 | A5 |
| IO12NB0F0/HCLKAN | B8 |
| IO12PB0F0/HCLKAP | B7 |
| IO13NB0F0/HCLKBN | A9 |
| IO13PB0F0/HCLKBP | A8 |
| Bank 1 | |
| IO14NB1F1/HCLKCN | C10 |
| IO14PB1F1/HCLKCP | C9 |
| IO15NB1F1/HCLKDN | B11 |
| IO15PB1F1/HCLKDP | B10 |
| IO17NB1F1 | A13 |
| IO17PB1F1 | A12 |
| IO19NB1F1 | B13 |
| IO19PB1F1 | B12 |
| IO21NB1F1 | C12 |
| IO21PB1F1 | C11 |
| IO23NB1F1 | A15 |
| IO23PB1F1 | B14 |
| IO26NB1F1 | C15 |
| IO26PB1F1 | C14 |
| IO27NB1F1 | D13 |
| IO27PB1F1 | D12 |
| Bank 2 | |
| IO29NB2F2 | F13 |
| IO29PB2F2 | E13 |
| IO30NB2F2 | F14 |
| IO30PB2F2 | E14 |

| FG256 | |
|----------------|------------|
| AX250 Function | Pin Number |
| IO32NB2F2 | C16 |
| IO32PB2F2 | B16 |
| IO33NB2F2 | F15 |
| IO33PB2F2 | E15 |
| IO35NB2F2 | H13 |
| IO35PB2F2 | G13 |
| IO36NB2F2 | E16 |
| IO36PB2F2 | D16 |
| IO38NB2F2 | H15 |
| IO38PB2F2 | G15 |
| IO39NB2F2 | H14 |
| IO39PB2F2 | G14 |
| IO40NB2F2 | G16 |
| IO40PB2F2 | F16 |
| IO43NB2F2 | K15 |
| IO43PB2F2 | K16 |
| IO44NB2F2 | J16 |
| IO44PB2F2 | H16 |
| Bank 3 | |
| IO45NB3F3 | K13 |
| IO45PB3F3 | J13 |
| IO46NB3F3 | K14 |
| IO46PB3F3 | J14 |
| IO52NB3F3 | L15 |
| IO52PB3F3 | L16 |
| IO54NB3F3 | P16 |
| IO54PB3F3 | N16 |
| IO55PB3F3 | M16 |
| IO56NB3F3 | P15 |
| IO56PB3F3 | R16 |
| IO58NB3F3 | N15 |
| IO58PB3F3 | M15 |
| IO59NB3F3 | M13 |
| IO59PB3F3 | L13 |
| IO61NB3F3 | M14 |

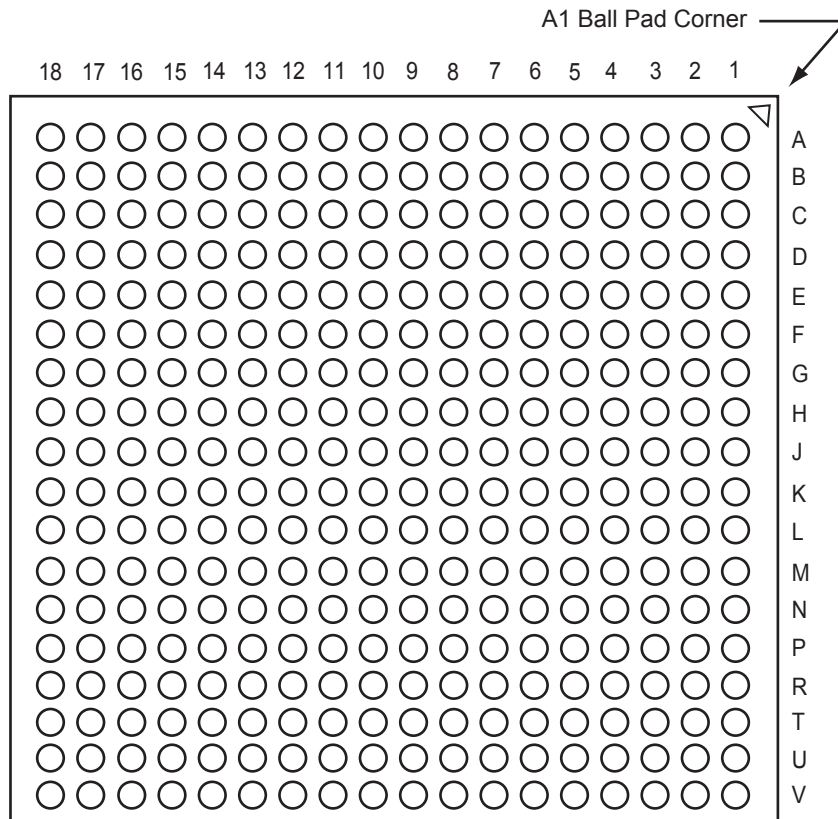
| FG256 | |
|-----------------|------------|
| AX250 Function | Pin Number |
| IO61PB3F3 | L14 |
| Bank 4 | |
| IO62NB4F4 | N12 |
| IO62PB4F4 | N13 |
| IO63NB4F4 | T14 |
| IO63PB4F4 | R14 |
| IO66PB4F4 | T15 |
| IO67NB4F4 | R12 |
| IO67PB4F4 | R13 |
| IO69NB4F4 | P11 |
| IO69PB4F4 | P12 |
| IO70PB4F4 | T11 |
| IO73NB4F4 | T12 |
| IO73PB4F4 | T13 |
| IO74NB4F4/CLKEN | R9 |
| IO74PB4F4/CLKEP | R10 |
| IO75NB4F4/CLKFN | T8 |
| IO75PB4F4/CLKFP | T9 |
| Bank 5 | |
| IO76NB5F5/CLKGN | P7 |
| IO76PB5F5/CLKGP | P8 |
| IO77NB5F5/CLKHN | R6 |
| IO77PB5F5/CLKHP | R7 |
| IO79NB5F5 | T5 |
| IO79PB5F5 | T6 |
| IO81NB5F5 | P5 |
| IO81PB5F5 | P6 |
| IO83NB5F5 | T3 |
| IO83PB5F5 | T4 |
| IO85NB5F5 | R3 |
| IO85PB5F5 | R4 |
| IO88NB5F5 | R1 |
| IO88PB5F5 | T2 |
| IO89NB5F5 | N4 |
| IO89PB5F5 | N5 |

| FG256 | | FG256 | | FG256 | |
|----------------|------------|----------------------|------------|----------------|------------|
| AX250 Function | Pin Number | AX250 Function | Pin Number | AX250 Function | Pin Number |
| Bank 6 | | IO117NB7F7 | C2 | GND | M12 |
| IO91NB6F6 | L4 | IO117PB7F7 | B1 | GND | M5 |
| IO91PB6F6 | M4 | IO118NB7F7 | D2 | GND | P13 |
| IO92NB6F6 | L3 | IO118PB7F7 | D3 | GND | P3 |
| IO92PB6F6 | M3 | IO119NB7F7 | E3 | GND | R15 |
| IO94NB6F6 | P2 | IO119PB7F7 | F3 | GND | R2 |
| IO94PB6F6 | N2 | Dedicated I/O | | GND | T1 |
| IO97NB6F6 | J4 | VCCDA | E4 | GND | T16 |
| IO97PB6F6 | K4 | GND | A1 | GND/LP | D4 |
| IO98NB6F6 | N1 | GND | A16 | PRA | D8 |
| IO98PB6F6 | P1 | GND | B15 | PRB | C8 |
| IO100NB6F6 | L2 | GND | B2 | PRC | N9 |
| IO100PB6F6 | M2 | GND | D15 | PRD | P9 |
| IO102NB6F6 | L1 | GND | E12 | TCK | D5 |
| IO102PB6F6 | M1 | GND | E5 | TDI | C6 |
| IO103NB6F6 | J3 | GND | F11 | TDO | C4 |
| IO103PB6F6 | K3 | GND | F6 | TMS | C3 |
| IO104NB6F6 | J2 | GND | G10 | TRST | C5 |
| IO104PB6F6 | K2 | GND | G7 | VCCA | D14 |
| Bank 7 | | GND | G8 | VCCA | F10 |
| IO107NB7F7 | J1 | GND | G9 | VCCA | F4 |
| IO107PB7F7 | K1 | GND | H10 | VCCA | F7 |
| IO108NB7F7 | G2 | GND | H7 | VCCA | F8 |
| IO108PB7F7 | H2 | GND | H8 | VCCA | F9 |
| IO111NB7F7 | G3 | GND | H9 | VCCA | G11 |
| IO111PB7F7 | H3 | GND | J10 | VCCA | G6 |
| IO112NB7F7 | E1 | GND | J7 | VCCA | H11 |
| IO112PB7F7 | F1 | GND | J8 | VCCA | H6 |
| IO113NB7F7 | G1 | GND | J9 | VCCA | J11 |
| IO114NB7F7 | E2 | GND | K10 | VCCA | J6 |
| IO114PB7F7 | F2 | GND | K7 | VCCA | K11 |
| IO115NB7F7 | G4 | GND | K8 | VCCA | K6 |
| IO115PB7F7 | H4 | GND | K9 | VCCA | L10 |
| IO116NB7F7 | C1 | GND | L11 | VCCA | L7 |
| IO116PB7F7 | D1 | GND | L6 | VCCA | L8 |

| FG256 | |
|----------------|------------|
| AX250 Function | Pin Number |
| VCCA | L9 |
| VCCA | N3 |
| VCCA | P14 |
| VCCPLA | C7 |
| VCCPLB | D6 |
| VCCPLC | A10 |
| VCCPLD | D10 |
| VCCPLE | P10 |
| VCCPLF | N11 |
| VCCPLG | T7 |
| VCCPLH | N7 |
| VCCDA | A11 |
| VCCDA | A2 |
| VCCDA | C13 |
| VCCDA | D9 |
| VCCDA | H1 |
| VCCDA | J15 |
| VCCDA | N14 |
| VCCDA | N8 |
| VCCDA | P4 |
| VCCDA | R11 |
| VCCDA | R5 |
| VCCIB0 | E6 |
| VCCIB0 | E7 |
| VCCIB0 | E8 |
| VCCIB1 | E10 |
| VCCIB1 | E11 |
| VCCIB1 | E9 |
| VCCIB2 | F12 |
| VCCIB2 | G12 |
| VCCIB2 | H12 |
| VCCIB3 | J12 |
| VCCIB3 | K12 |
| VCCIB3 | L12 |
| VCCIB4 | M10 |

| FG256 | |
|----------------|------------|
| AX250 Function | Pin Number |
| VCCIB4 | M11 |
| VCCIB4 | M9 |
| VCCIB5 | M6 |
| VCCIB5 | M7 |
| VCCIB5 | M8 |
| VCCIB6 | J5 |
| VCCIB6 | K5 |
| VCCIB6 | L5 |
| VCCIB7 | F5 |
| VCCIB7 | G5 |
| VCCIB7 | H5 |
| VCOMPLA | A7 |
| VCOMPLB | D7 |
| VCOMPLC | B9 |
| VCOMPLD | D11 |
| VCOMPLE | T10 |
| VCOMPLF | N10 |
| VCOMPLG | R8 |
| VCOMPLH | N6 |
| VPUMP | A14 |

FG324



Note

For Package Manufacturing and Environmental information, visit Resource center at <http://www.microsemi.com/soc/products/rescenter/package/index.html>.

| FG324 | |
|------------------|------------|
| AX125 Function | Pin Number |
| Bank 0 | |
| IO00NB0F0 | C5 |
| IO00PB0F0 | C4 |
| IO01NB0F0 | A3 |
| IO01PB0F0 | A2 |
| IO02NB0F0 | C7 |
| IO02PB0F0 | C6 |
| IO03NB0F0 | B5 |
| IO03PB0F0 | B4 |
| IO04NB0F0 | A5 |
| IO04PB0F0 | A4 |
| IO05NB0F0 | A7 |
| IO05PB0F0 | A6 |
| IO06NB0F0 | B7 |
| IO06PB0F0 | B6 |
| IO07NB0F0/HCLKAN | C9 |
| IO07PB0F0/HCLKAP | C8 |
| IO08NB0F0/HCLKBN | B10 |
| IO08PB0F0/HCLKBP | B9 |
| Bank 1 | |
| IO09NB1F1/HCLKCN | D11 |
| IO09PB1F1/HCLKCP | D10 |
| IO10NB1F1/HCLKDN | C12 |
| IO10PB1F1/HCLKDP | C11 |
| IO11NB1F1 | A15 |
| IO11PB1F1 | A14 |
| IO12NB1F1 | B14 |
| IO12PB1F1 | B13 |
| IO13NB1F1 | A17 |
| IO13PB1F1 | A16 |
| IO14NB1F1 | D13 |
| IO14PB1F1 | D12 |
| IO15NB1F1 | C14 |
| IO15PB1F1 | C13 |
| IO16NB1F1 | B16 |

| FG324 | |
|----------------|------------|
| AX125 Function | Pin Number |
| IO16PB1F1 | C15 |
| IO17NB1F1 | E14 |
| IO17PB1F1 | E13 |
| Bank 2 | |
| IO18NB2F2 | G14 |
| IO18PB2F2 | F14 |
| IO19NB2F2 | D16 |
| IO19PB2F2 | D15 |
| IO20NB2F2 | C18 |
| IO20PB2F2 | B18 |
| IO21NB2F2 | D17 |
| IO21PB2F2 | C17 |
| IO22NB2F2 | F17 |
| IO22PB2F2 | E17 |
| IO23NB2F2 | G16 |
| IO23PB2F2 | F16 |
| IO24NB2F2 | E18 |
| IO24PB2F2 | D18 |
| IO25NB2F2 | G18 |
| IO25PB2F2 | F18 |
| IO26NB2F2 | H17 |
| IO26PB2F2 | G17 |
| IO27NB2F2 | J16 |
| IO27PB2F2 | H16 |
| IO28NB2F2 | J18 |
| IO28PB2F2 | H18 |
| IO29NB2F2 | K17 |
| IO29PB2F2 | J17 |
| Bank 3 | |
| IO30NB3F3 | N18 |
| IO30PB3F3 | M18 |
| IO31NB3F3 | L18 |
| IO31PB3F3 | K18 |
| IO32NB3F3 | L16 |
| IO32PB3F3 | L17 |

| FG324 | |
|-----------------|------------|
| AX125 Function | Pin Number |
| IO33NB3F3 | R18 |
| IO33PB3F3 | P18 |
| IO34NB3F3 | N15 |
| IO34PB3F3 | M15 |
| IO35NB3F3 | M16 |
| IO35PB3F3 | M17 |
| IO36NB3F3 | P16 |
| IO36PB3F3 | N16 |
| IO37NB3F3 | R17 |
| IO37PB3F3 | P17 |
| IO38NB3F3 | N14 |
| IO38PB3F3 | M14 |
| IO39NB3F3 | U18 |
| IO39PB3F3 | T18 |
| IO40NB3F3 | R16 |
| IO40PB3F3 | T17 |
| IO41NB3F3 | P13 |
| IO41PB3F3 | P14 |
| Bank 4 | |
| IO42NB4F4 | T13 |
| IO42PB4F4 | T14 |
| IO43NB4F4 | U15 |
| IO43PB4F4 | T15 |
| IO44NB4F4 | U13 |
| IO44PB4F4 | U14 |
| IO45NB4F4 | V15 |
| IO45PB4F4 | V16 |
| IO46NB4F4 | V13 |
| IO46PB4F4 | V14 |
| IO47NB4F4 | V12 |
| IO47PB4F4 | U12 |
| IO48NB4F4 | V10 |
| IO48PB4F4 | V11 |
| IO49NB4F4/CLKEN | T10 |
| IO49PB4F4/CLKEP | T11 |

| FG324 | | FG324 | | FG324 | |
|-----------------|------------|----------------|------------|----------------------|------------|
| AX125 Function | Pin Number | AX125 Function | Pin Number | AX125 Function | Pin Number |
| IO50NB4F4/CLKFN | U9 | IO66PB6F6 | N3 | IO83PB7F7 | C1 |
| IO50PB4F4/CLKFP | U10 | IO67NB6F6 | M2 | Dedicated I/O | |
| Bank 5 | | IO67PB6F6 | N2 | VCCDA | F5 |
| IO51NB5F5/CLKGN | R8 | IO68NB6F6 | M1 | GND | A1 |
| IO51PB5F5/CLKGP | R9 | IO68PB6F6 | N1 | GND | A18 |
| IO52NB5F5/CLKHN | T7 | IO69NB6F6 | K4 | GND | B17 |
| IO52PB5F5/CLKHP | T8 | IO69PB6F6 | L4 | GND | B2 |
| IO53NB5F5 | U6 | IO70NB6F6 | K1 | GND | C16 |
| IO53PB5F5 | U7 | IO70PB6F6 | L1 | GND | C3 |
| IO54NB5F5 | V8 | IO71NB6F6 | K3 | GND | E16 |
| IO54PB5F5 | V9 | IO71PB6F6 | L3 | GND | F13 |
| IO55NB5F5 | V6 | Bank 7 | | GND | F6 |
| IO55PB5F5 | V7 | IO72NB7F7 | H4 | GND | G12 |
| IO56NB5F5 | U4 | IO72PB7F7 | J4 | GND | G7 |
| IO56PB5F5 | U5 | IO73NB7F7 | K2 | GND | H10 |
| IO57NB5F5 | T4 | IO73PB7F7 | L2 | GND | H11 |
| IO57PB5F5 | T5 | IO74NB7F7 | H2 | GND | H8 |
| IO58NB5F5 | V4 | IO74PB7F7 | H1 | GND | H9 |
| IO58PB5F5 | V5 | IO75NB7F7 | H3 | GND | J10 |
| IO59NB5F5 | V2 | IO75PB7F7 | J3 | GND | J11 |
| IO59PB5F5 | V3 | IO76NB7F7 | F2 | GND | J8 |
| Bank 6 | | IO76PB7F7 | G2 | GND | J9 |
| IO60NB6F6 | P5 | IO77NB7F7 | F1 | GND | K10 |
| IO60PB6F6 | P6 | IO77PB7F7 | G1 | GND | K11 |
| IO61NB6F6 | T2 | IO78NB7F7 | D2 | GND | K8 |
| IO61PB6F6 | U3 | IO78PB7F7 | E2 | GND | K9 |
| IO62NB6F6 | T1 | IO79NB7F7 | F3 | GND | L10 |
| IO62PB6F6 | U1 | IO79PB7F7 | G3 | GND | L11 |
| IO63NB6F6 | P1 | IO80NB7F7 | E3 | GND | L8 |
| IO63PB6F6 | R1 | IO80PB7F7 | E4 | GND | L9 |
| IO64NB6F6 | R3 | IO81NB7F7 | D1 | GND | M12 |
| IO64PB6F6 | P3 | IO81PB7F7 | E1 | GND | M7 |
| IO65NB6F6 | P2 | IO82NB7F7 | D3 | GND | N13 |
| IO65PB6F6 | R2 | IO82PB7F7 | C2 | GND | N6 |
| IO66NB6F6 | M3 | IO83NB7F7 | B1 | GND | R14 |

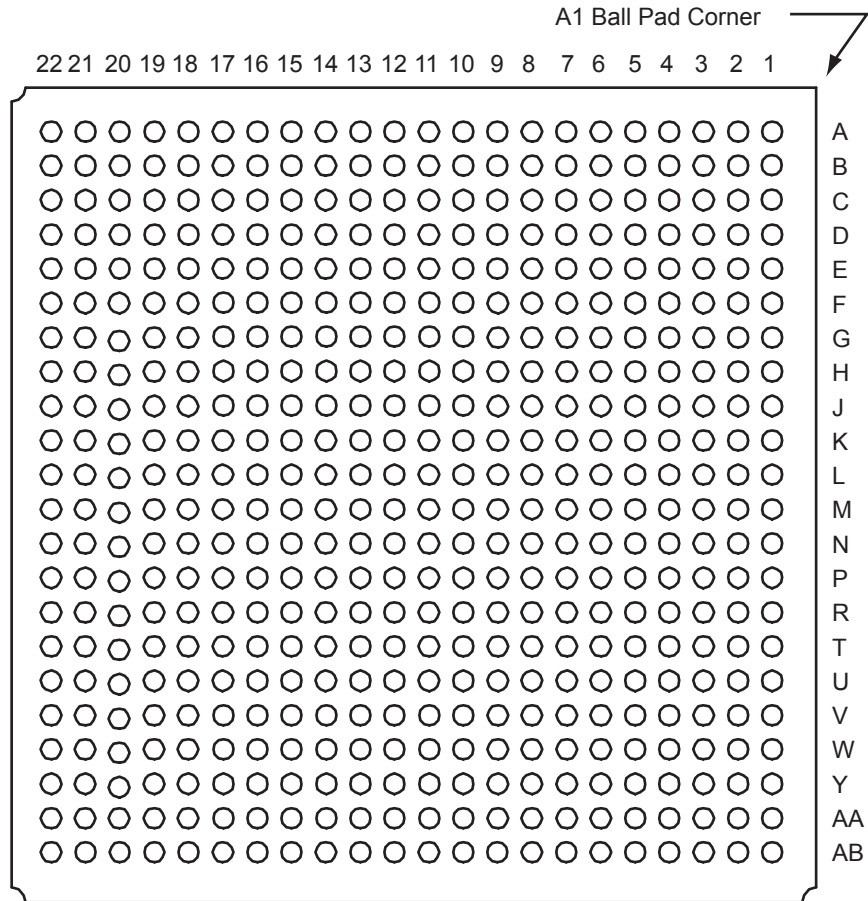
| FG324 | |
|----------------|------------|
| AX125 Function | Pin Number |
| GND | R4 |
| GND | T16 |
| GND | T3 |
| GND | U17 |
| GND | U2 |
| GND | V1 |
| GND | V18 |
| GND/LP | E5 |
| NC | A10 |
| NC | A11 |
| NC | A12 |
| NC | A13 |
| NC | A8 |
| NC | A9 |
| NC | B12 |
| NC | F15 |
| NC | F4 |
| NC | G15 |
| NC | G4 |
| NC | H14 |
| NC | H15 |
| NC | H5 |
| NC | J1 |
| NC | J14 |
| NC | J15 |
| NC | J5 |
| NC | K14 |
| NC | K15 |
| NC | K5 |
| NC | L14 |
| NC | L15 |
| NC | L5 |
| NC | M4 |
| NC | M5 |
| NC | N17 |

| FG324 | |
|----------------|------------|
| AX125 Function | Pin Number |
| NC | N4 |
| NC | N5 |
| NC | R12 |
| NC | R13 |
| NC | R6 |
| NC | R7 |
| NC | T12 |
| NC | T6 |
| NC | U16 |
| NC | V17 |
| PRA | E9 |
| PRB | D9 |
| PRC | P10 |
| PRD | R10 |
| TCK | E6 |
| TDI | D7 |
| TDO | D5 |
| TMS | D4 |
| TRST | D6 |
| VCCA | E15 |
| VCCA | G10 |
| VCCA | G11 |
| VCCA | G5 |
| VCCA | G8 |
| VCCA | G9 |
| VCCA | H12 |
| VCCA | H7 |
| VCCA | J12 |
| VCCA | J7 |
| VCCA | K12 |
| VCCA | K7 |
| VCCA | L12 |
| VCCA | L7 |
| VCCA | M10 |
| VCCA | M11 |

| FG324 | |
|----------------|------------|
| AX125 Function | Pin Number |
| VCCA | M8 |
| VCCA | M9 |
| VCCA | P4 |
| VCCA | R15 |
| VCCPLA | D8 |
| VCCPLB | E7 |
| VCCPLC | B11 |
| VCCPLD | E11 |
| VCCPLE | R11 |
| VCCPLF | P12 |
| VCCPLG | U8 |
| VCCPLH | P8 |
| VCCDA | B3 |
| VCCDA | D14 |
| VCCDA | E10 |
| VCCDA | J2 |
| VCCDA | K16 |
| VCCDA | P15 |
| VCCDA | P9 |
| VCCDA | R5 |
| VCCIB0 | F7 |
| VCCIB0 | F8 |
| VCCIB0 | F9 |
| VCCIB1 | F10 |
| VCCIB1 | F11 |
| VCCIB1 | F12 |
| VCCIB2 | G13 |
| VCCIB2 | H13 |
| VCCIB2 | J13 |
| VCCIB3 | K13 |
| VCCIB3 | L13 |
| VCCIB3 | M13 |
| VCCIB4 | N10 |
| VCCIB4 | N11 |
| VCCIB4 | N12 |

| FG324 | |
|-----------------------|-------------------|
| AX125 Function | Pin Number |
| VCCIB5 | N7 |
| VCCIB5 | N8 |
| VCCIB5 | N9 |
| VCCIB6 | K6 |
| VCCIB6 | L6 |
| VCCIB6 | M6 |
| VCCIB7 | G6 |
| VCCIB7 | H6 |
| VCCIB7 | J6 |
| VCOMPLA | B8 |
| VCOMPLB | E8 |
| VCOMPLC | C10 |
| VCOMPLD | E12 |
| VCOMPLE | U11 |
| VCOMPLF | P11 |
| VCOMPLG | T9 |
| VCOMPLH | P7 |
| VPUMP | B15 |

FG484



Note

For Package Manufacturing and Environmental information, visit Resource center at <http://www.microsemi.com/soc/products/rescenter/package/index.html>.

| FG484 | | FG484 | | FG484 | |
|------------------|------------|----------------|------------|----------------|------------|
| AX250 Function | Pin Number | AX250 Function | Pin Number | AX250 Function | Pin Number |
| Bank 0 | | IO17NB1F1 | B14 | IO34PB2F2 | D22 |
| IO00NB0F0 | D7 | IO17PB1F1 | B13 | IO35NB2F2 | J18 |
| IO00PB0F0 | D6 | IO18NB1F1 | A14 | IO35PB2F2 | H18 |
| IO01NB0F0 | E7 | IO18PB1F1 | A13 | IO36NB2F2 | G21 |
| IO01PB0F0 | E6 | IO19NB1F1 | A16 | IO36PB2F2 | F21 |
| IO02NB0F0 | C5 | IO19PB1F1 | A15 | IO37NB2F2 | K19 |
| IO02PB0F0 | C4 | IO20NB1F1 | B16 | IO37PB2F2 | J19 |
| IO03NB0F0 | C7 | IO20PB1F1 | B15 | IO38NB2F2 | J20 |
| IO03PB0F0 | C6 | IO21NB1F1 | C17 | IO38PB2F2 | H20 |
| IO04NB0F0 | E9 | IO21PB1F1 | C16 | IO39NB2F2 | L16 |
| IO04PB0F0 | E8 | IO22NB1F1 | F15 | IO39PB2F2 | K16 |
| IO05NB0F0 | D9 | IO22PB1F1 | F14 | IO40NB2F2 | J21 |
| IO05PB0F0 | D8 | IO23NB1F1 | D16 | IO40PB2F2 | H21 |
| IO06NB0F0 | B7 | IO23PB1F1 | D15 | IO41NB2F2 | L17 |
| IO06PB0F0 | B6 | IO24NB1F1 | E16 | IO41PB2F2 | K17 |
| IO07NB0F0 | C9 | IO24PB1F1 | E15 | IO42NB2F2 | J22 |
| IO07PB0F0 | C8 | IO25NB1F1 | F18 | IO42PB2F2 | H22 |
| IO08NB0F0 | A7 | IO25PB1F1 | F17 | IO43NB2F2 | L18 |
| IO08PB0F0 | A6 | IO26NB1F1 | D18 | IO43PB2F2 | K18 |
| IO09NB0F0 | B9 | IO26PB1F1 | E17 | IO44NB2F2 | L20 |
| IO09PB0F0 | B8 | IO27NB1F1 | G16 | IO44PB2F2 | K20 |
| IO10NB0F0 | A9 | IO27PB1F1 | G15 | Bank 3 | |
| IO10PB0F0 | A8 | Bank 2 | | IO45NB3F3 | M19 |
| IO11NB0F0 | B10 | IO28NB2F2 | F19 | IO45PB3F3 | L19 |
| IO11PB0F0 | A10 | IO28PB2F2 | E19 | IO46NB3F3 | M21 |
| IO12NB0F0/HCLKAN | E11 | IO29NB2F2 | J16 | IO46PB3F3 | L21 |
| IO12PB0F0/HCLKAP | E10 | IO29PB2F2 | H16 | IO47NB3F3 | N17 |
| IO13NB0F0/HCLKBN | D12 | IO30NB2F2 | E20 | IO47PB3F3 | M17 |
| IO13PB0F0/HCLKBP | D11 | IO30PB2F2 | D20 | IO48NB3F3 | N18 |
| Bank 1 | | IO31NB2F2 | J17 | IO48PB3F3 | N19 |
| IO14NB1F1/HCLKCN | F13 | IO31PB2F2 | H17 | IO49NB3F3 | N16 |
| IO14PB1F1/HCLKCP | F12 | IO32NB2F2 | G20 | IO49PB3F3 | M16 |
| IO15NB1F1/HCLKDN | E14 | IO32PB2F2 | F20 | IO50NB3F3 | N20 |
| IO15PB1F1/HCLKDP | E13 | IO33NB2F2 | H19 | IO50PB3F3 | M20 |
| IO16NB1F1 | C13 | IO33PB2F2 | G19 | IO51NB3F3 | P21 |
| IO16PB1F1 | C12 | IO34NB2F2 | E22 | IO51PB3F3 | N21 |

| FG484 | | FG484 | | FG484 | |
|----------------|------------|-----------------|------------|----------------|------------|
| AX250 Function | Pin Number | AX250 Function | Pin Number | AX250 Function | Pin Number |
| IO52NB3F3 | P18 | IO69PB4F4 | AA17 | IO87NB5F5 | Y4 |
| IO52PB3F3 | P19 | IO70NB4F4 | AB14 | IO87PB5F5 | Y5 |
| IO53NB3F3 | R20 | IO70PB4F4 | AB15 | IO88NB5F5 | V6 |
| IO53PB3F3 | P20 | IO71NB4F4 | Y14 | IO88PB5F5 | V7 |
| IO54NB3F3 | T21 | IO71PB4F4 | W14 | IO89NB5F5 | T7 |
| IO54PB3F3 | R21 | IO72NB4F4 | AA14 | IO89PB5F5 | T8 |
| IO55NB3F3 | R17 | IO72PB4F4 | AA15 | Bank 6 | |
| IO55PB3F3 | P17 | IO73NB4F4 | AA13 | IO90NB6F6 | V4 |
| IO56NB3F3 | U20 | IO73PB4F4 | AB13 | IO90PB6F6 | W5 |
| IO56PB3F3 | T20 | IO74NB4F4/CLKEN | V12 | IO91NB6F6 | P7 |
| IO57NB3F3 | T18 | IO74PB4F4/CLKEP | V13 | IO91PB6F6 | R7 |
| IO57PB3F3 | R18 | IO75NB4F4/CLKFN | W11 | IO92NB6F6 | U5 |
| IO58NB3F3 | U19 | IO75PB4F4/CLKFP | W12 | IO92PB6F6 | T5 |
| IO58PB3F3 | T19 | Bank 5 | | IO93NB6F6 | P6 |
| IO59NB3F3 | R16 | IO76NB5F5/CLKGN | U10 | IO93PB6F6 | R6 |
| IO59PB3F3 | P16 | IO76PB5F5/CLKGP | U11 | IO94NB6F6 | T4 |
| IO60NB3F3 | W20 | IO77NB5F5/CLKHN | V9 | IO94PB6F6 | U4 |
| IO60PB3F3 | V20 | IO77PB5F5/CLKHP | V10 | IO95NB6F6 | P5 |
| IO61NB3F3 | U18 | IO78NB5F5 | AA9 | IO95PB6F6 | R5 |
| IO61PB3F3 | V19 | IO78PB5F5 | AA10 | IO96NB6F6 | T3 |
| Bank 4 | | IO79NB5F5 | AB9 | IO96PB6F6 | U3 |
| IO62NB4F4 | T15 | IO79PB5F5 | AB10 | IO97NB6F6 | P3 |
| IO62PB4F4 | T16 | IO80NB5F5 | AA7 | IO97PB6F6 | R3 |
| IO63NB4F4 | W17 | IO80PB5F5 | AA8 | IO98NB6F6 | R2 |
| IO63PB4F4 | V17 | IO81NB5F5 | W8 | IO98PB6F6 | T2 |
| IO64NB4F4 | V15 | IO81PB5F5 | W9 | IO99NB6F6 | P4 |
| IO64PB4F4 | V16 | IO82NB5F5 | AB5 | IO99PB6F6 | R4 |
| IO65NB4F4 | Y19 | IO82PB5F5 | AB6 | IO100NB6F6 | P1 |
| IO65PB4F4 | W18 | IO83NB5F5 | AA5 | IO100PB6F6 | R1 |
| IO66NB4F4 | AB18 | IO83PB5F5 | AA6 | IO101NB6F6 | M7 |
| IO66PB4F4 | AB19 | IO84NB5F5 | U8 | IO101PB6F6 | N7 |
| IO67NB4F4 | W15 | IO84PB5F5 | U9 | IO102NB6F6 | N2 |
| IO67PB4F4 | W16 | IO85NB5F5 | Y6 | IO102PB6F6 | P2 |
| IO68NB4F4 | U14 | IO85PB5F5 | Y7 | IO103NB6F6 | M6 |
| IO68PB4F4 | U15 | IO86NB5F5 | W6 | IO103PB6F6 | N6 |
| IO69NB4F4 | AA16 | IO86PB5F5 | W7 | IO104NB6F6 | M4 |

| FG484 | | FG484 | | FG484 | |
|----------------|------------|----------------------|------------|----------------|------------|
| AX250 Function | Pin Number | AX250 Function | Pin Number | AX250 Function | Pin Number |
| IO104PB6F6 | N4 | IO122NB7F7 | G5 | GND | J9 |
| IO105NB6F6 | M5 | IO122PB7F7 | G6 | GND | K10 |
| IO105PB6F6 | N5 | IO123NB7F7 | F5 | GND | K11 |
| IO106NB6F6 | M3 | IO123PB7F7 | E4 | GND | K12 |
| IO106PB6F6 | N3 | Dedicated I/O | | GND | K13 |
| Bank 7 | | VCCDA | H7 | GND | L1 |
| IO107NB7F7 | M2 | GND | A1 | GND | L10 |
| IO107PB7F7 | N1 | GND | A11 | GND | L11 |
| IO108NB7F7 | L3 | GND | A12 | GND | L12 |
| IO108PB7F7 | L2 | GND | A2 | GND | L13 |
| IO109NB7F7 | K2 | GND | A21 | GND | L22 |
| IO109PB7F7 | K1 | GND | A22 | GND | M1 |
| IO110NB7F7 | K5 | GND | AA1 | GND | M10 |
| IO110PB7F7 | L5 | GND | AA2 | GND | M11 |
| IO111NB7F7 | K6 | GND | AA21 | GND | M12 |
| IO111PB7F7 | L6 | GND | AA22 | GND | M13 |
| IO112NB7F7 | K4 | GND | AB1 | GND | M22 |
| IO112PB7F7 | K3 | GND | AB11 | GND | N10 |
| IO113NB7F7 | K7 | GND | AB12 | GND | N11 |
| IO113PB7F7 | L7 | GND | AB2 | GND | N12 |
| IO114NB7F7 | H1 | GND | AB21 | GND | N13 |
| IO114PB7F7 | J1 | GND | AB22 | GND | P14 |
| IO115NB7F7 | H2 | GND | B1 | GND | P9 |
| IO115PB7F7 | J2 | GND | B2 | GND | R15 |
| IO116NB7F7 | H4 | GND | B21 | GND | R8 |
| IO116PB7F7 | J4 | GND | B22 | GND | U16 |
| IO117NB7F7 | H5 | GND | C20 | GND | U6 |
| IO117PB7F7 | J5 | GND | C3 | GND | V18 |
| IO118NB7F7 | F2 | GND | D19 | GND | V5 |
| IO118PB7F7 | G2 | GND | D4 | GND | W19 |
| IO119NB7F7 | H6 | GND | E18 | GND | W4 |
| IO119PB7F7 | J6 | GND | E5 | GND | Y20 |
| IO120NB7F7 | F1 | GND | G18 | GND | Y3 |
| IO120PB7F7 | G1 | GND | H15 | GND/LP | G7 |
| IO121NB7F7 | F4 | GND | H8 | NC | A17 |
| IO121PB7F7 | G4 | GND | J14 | NC | A18 |

| FG484 | | FG484 | | FG484 | |
|----------------|------------|----------------|------------|----------------|------------|
| AX250 Function | Pin Number | AX250 Function | Pin Number | AX250 Function | Pin Number |
| NC | A19 | NC | G22 | PRA | G11 |
| NC | A4 | NC | G3 | PRB | F11 |
| NC | A5 | NC | H3 | PRC | T12 |
| NC | AA11 | NC | J3 | PRD | U12 |
| NC | AA12 | NC | K21 | TCK | G8 |
| NC | AA18 | NC | K22 | TDI | F9 |
| NC | AA19 | NC | N22 | TDO | F7 |
| NC | AA4 | NC | P22 | TMS | F6 |
| NC | AB16 | NC | R19 | TRST | F8 |
| NC | AB17 | NC | R22 | VCCA | G17 |
| NC | AB4 | NC | T1 | VCCA | J10 |
| NC | AB7 | NC | T22 | VCCA | J11 |
| NC | AB8 | NC | U1 | VCCA | J12 |
| NC | B11 | NC | U2 | VCCA | J13 |
| NC | B12 | NC | U21 | VCCA | J7 |
| NC | B17 | NC | U22 | VCCA | K14 |
| NC | B18 | NC | V1 | VCCA | K9 |
| NC | B19 | NC | V2 | VCCA | L14 |
| NC | B4 | NC | V21 | VCCA | L9 |
| NC | B5 | NC | V22 | VCCA | M14 |
| NC | C10 | NC | V3 | VCCA | M9 |
| NC | C11 | NC | W1 | VCCA | N14 |
| NC | C14 | NC | W2 | VCCA | N9 |
| NC | C15 | NC | W21 | VCCA | P10 |
| NC | C18 | NC | W22 | VCCA | P11 |
| NC | C19 | NC | W3 | VCCA | P12 |
| NC | D1 | NC | Y10 | VCCA | P13 |
| NC | D2 | NC | Y11 | VCCA | T6 |
| NC | D21 | NC | Y12 | VCCA | U17 |
| NC | D3 | NC | Y13 | VCCPLA | F10 |
| NC | E1 | NC | Y15 | VCCPLB | G9 |
| NC | E2 | NC | Y16 | VCCPLC | D13 |
| NC | E21 | NC | Y17 | VCCPLD | G13 |
| NC | E3 | NC | Y18 | VCCPLE | U13 |
| NC | F22 | NC | Y8 | VCCPLF | T14 |
| NC | F3 | NC | Y9 | VCCPLG | W10 |

| FG484 | | FG484 | |
|----------------|------------|----------------|------------|
| AX250 Function | Pin Number | AX250 Function | Pin Number |
| VCCPLH | T10 | VCCIB4 | R14 |
| VCCDA | D14 | VCCIB5 | AA3 |
| VCCDA | D5 | VCCIB5 | AB3 |
| VCCDA | F16 | VCCIB5 | R10 |
| VCCDA | G12 | VCCIB5 | R11 |
| VCCDA | L4 | VCCIB5 | R9 |
| VCCDA | M18 | VCCIB6 | M8 |
| VCCDA | T11 | VCCIB6 | N8 |
| VCCDA | T17 | VCCIB6 | P8 |
| VCCDA | U7 | VCCIB6 | Y1 |
| VCCDA | V14 | VCCIB6 | Y2 |
| VCCDA | V8 | VCCIB7 | C1 |
| VCCIB0 | A3 | VCCIB7 | C2 |
| VCCIB0 | B3 | VCCIB7 | J8 |
| VCCIB0 | H10 | VCCIB7 | K8 |
| VCCIB0 | H11 | VCCIB7 | L8 |
| VCCIB0 | H9 | VCOMPLA | D10 |
| VCCIB1 | A20 | VCOMPLB | G10 |
| VCCIB1 | B20 | VCOMPLC | E12 |
| VCCIB1 | H12 | VCOMPLD | G14 |
| VCCIB1 | H13 | VCOMPLE | W13 |
| VCCIB1 | H14 | VCOMPLF | T13 |
| VCCIB2 | C21 | VCOMPLG | V11 |
| VCCIB2 | C22 | VCOMPLH | T9 |
| VCCIB2 | J15 | VPUMP | D17 |
| VCCIB2 | K15 | | |
| VCCIB2 | L15 | | |
| VCCIB3 | M15 | | |
| VCCIB3 | N15 | | |
| VCCIB3 | P15 | | |
| VCCIB3 | Y21 | | |
| VCCIB3 | Y22 | | |
| VCCIB4 | AA20 | | |
| VCCIB4 | AB20 | | |
| VCCIB4 | R12 | | |
| VCCIB4 | R13 | | |

| FG484 | |
|----------------|------------|
| AX500 Function | Pin Number |
| Bank 0 | |
| IO00NB0F0 | E3 |
| IO00PB0F0 | D3 |
| IO01NB0F0 | E7 |
| IO01PB0F0 | E6 |
| IO02NB0F0 | C5 |
| IO02PB0F0 | C4 |
| IO03NB0F0 | D7 |
| IO03PB0F0 | D6 |
| IO04NB0F0 | B5 |
| IO04PB0F0 | B4 |
| IO05NB0F0 | C7 |
| IO05PB0F0 | C6 |
| IO06NB0F0 | A5 |
| IO06PB0F0 | A4 |
| IO07NB0F0 | A7 |
| IO07PB0F0 | A6 |
| IO08NB0F0 | B7 |
| IO08PB0F0 | B6 |
| IO10NB0F0 | B9 |
| IO10PB0F0 | B8 |
| IO11NB0F0 | E9 |
| IO11PB0F0 | E8 |
| IO12NB0F1 | D9 |
| IO12PB0F1 | D8 |
| IO13NB0F1 | C9 |
| IO13PB0F1 | C8 |
| IO14NB0F1 | A9 |
| IO14PB0F1 | A8 |
| IO15NB0F1 | B10 |
| IO15PB0F1 | A10 |
| IO16NB0F1 | B12 |
| IO16PB0F1 | B11 |
| IO18NB0F1 | C13 |
| IO18PB0F1 | C12 |

| FG484 | |
|------------------|------------|
| AX500 Function | Pin Number |
| IO19NB0F1/HCLKAN | E11 |
| IO19PB0F1/HCLKAP | E10 |
| IO20NB0F1/HCLKBN | D12 |
| IO20PB0F1/HCLKBP | D11 |
| Bank 1 | |
| IO21NB1F2/HCLKCN | F13 |
| IO21PB1F2/HCLKCP | F12 |
| IO22NB1F2/HCLKDN | E14 |
| IO22PB1F2/HCLKDP | E13 |
| IO24NB1F2 | A14 |
| IO24PB1F2 | A13 |
| IO25NB1F2 | B14 |
| IO25PB1F2 | B13 |
| IO26NB1F2 | C15 |
| IO27NB1F2 | A16 |
| IO27PB1F2 | A15 |
| IO28NB1F2 | B16 |
| IO28PB1F2 | B15 |
| IO29NB1F2 | D16 |
| IO29PB1F2 | D15 |
| IO30NB1F2 | A18 |
| IO30PB1F2 | A17 |
| IO31NB1F2 | F15 |
| IO31PB1F2 | F14 |
| IO32NB1F3 | C17 |
| IO32PB1F3 | C16 |
| IO33NB1F3 | E16 |
| IO33PB1F3 | E15 |
| IO34NB1F3 | B18 |
| IO34PB1F3 | B17 |
| IO35NB1F3 | B19 |
| IO35PB1F3 | A19 |
| IO36NB1F3 | C19 |
| IO36PB1F3 | C18 |
| IO37NB1F3 | F18 |

| FG484 | |
|----------------|------------|
| AX500 Function | Pin Number |
| IO37PB1F3 | F17 |
| IO38NB1F3 | D18 |
| IO38PB1F3 | E17 |
| IO39NB1F3 | E21 |
| IO39PB1F3 | D21 |
| IO40NB1F3 | E20 |
| IO40PB1F3 | D20 |
| IO41NB1F3 | G16 |
| IO41PB1F3 | G15 |
| Bank 2 | |
| IO42NB2F4 | F19 |
| IO42PB2F4 | E19 |
| IO43NB2F4 | J16 |
| IO43PB2F4 | H16 |
| IO44NB2F4 | E22 |
| IO44PB2F4 | D22 |
| IO45NB2F4 | H19 |
| IO45PB2F4 | G19 |
| IO46NB2F4 | G22 |
| IO46PB2F4 | F22 |
| IO47NB2F4 | J17 |
| IO47PB2F4 | H17 |
| IO48NB2F4 | G20 |
| IO48PB2F4 | F20 |
| IO49NB2F4 | J18 |
| IO49PB2F4 | H18 |
| IO50NB2F4 | G21 |
| IO50PB2F4 | F21 |
| IO51NB2F4 | K19 |
| IO51PB2F4 | J19 |
| IO52NB2F5 | J21 |
| IO52PB2F5 | H21 |
| IO53NB2F5 | J20 |
| IO53PB2F5 | H20 |
| IO54NB2F5 | J22 |

| FG484 | |
|----------------|------------|
| AX500 Function | Pin Number |
| IO54PB2F5 | H22 |
| IO55NB2F5 | L17 |
| IO55PB2F5 | K17 |
| IO56NB2F5 | K21 |
| IO56PB2F5 | K22 |
| IO58NB2F5 | L20 |
| IO58PB2F5 | K20 |
| IO59NB2F5 | L18 |
| IO59PB2F5 | K18 |
| IO60NB2F5 | M21 |
| IO60PB2F5 | L21 |
| IO61NB2F5 | L16 |
| IO61PB2F5 | K16 |
| IO62NB2F5 | M19 |
| IO62PB2F5 | L19 |
| Bank 3 | |
| IO63NB3F6 | N16 |
| IO63PB3F6 | M16 |
| IO64NB3F6 | P22 |
| IO64PB3F6 | N22 |
| IO65NB3F6 | N20 |
| IO65PB3F6 | M20 |
| IO66NB3F6 | P21 |
| IO66PB3F6 | N21 |
| IO67NB3F6 | N18 |
| IO67PB3F6 | N19 |
| IO68NB3F6 | T22 |
| IO68PB3F6 | R22 |
| IO69NB3F6 | N17 |
| IO69PB3F6 | M17 |
| IO70NB3F6 | T21 |
| IO70PB3F6 | R21 |
| IO71NB3F6 | P18 |
| IO71PB3F6 | P19 |
| IO72NB3F6 | R20 |

| FG484 | |
|----------------|------------|
| AX500 Function | Pin Number |
| IO72PB3F6 | P20 |
| IO73PB3F6 | R19 |
| IO74NB3F7 | V21 |
| IO74PB3F7 | U21 |
| IO75NB3F7 | V22 |
| IO75PB3F7 | U22 |
| IO76NB3F7 | U20 |
| IO76PB3F7 | T20 |
| IO77NB3F7 | R17 |
| IO77PB3F7 | P17 |
| IO78NB3F7 | W21 |
| IO78PB3F7 | W22 |
| IO79NB3F7 | T18 |
| IO79PB3F7 | R18 |
| IO80NB3F7 | W20 |
| IO80PB3F7 | V20 |
| IO81NB3F7 | U19 |
| IO81PB3F7 | T19 |
| IO82NB3F7 | U18 |
| IO82PB3F7 | V19 |
| IO83NB3F7 | R16 |
| IO83PB3F7 | P16 |
| Bank 4 | |
| IO84NB4F8 | AB18 |
| IO84PB4F8 | AB19 |
| IO85NB4F8 | T15 |
| IO85PB4F8 | T16 |
| IO86NB4F8 | AA18 |
| IO86PB4F8 | AA19 |
| IO87NB4F8 | W17 |
| IO87PB4F8 | V17 |
| IO88NB4F8 | Y19 |
| IO88PB4F8 | W18 |
| IO89NB4F8 | U14 |
| IO89PB4F8 | U15 |

| FG484 | |
|-------------------|------------|
| AX500 Function | Pin Number |
| IO90NB4F8 | Y17 |
| IO90PB4F8 | Y18 |
| IO91NB4F8 | V15 |
| IO91PB4F8 | V16 |
| IO92PB4F8 | AB17 |
| IO93NB4F8 | Y15 |
| IO93PB4F8 | Y16 |
| IO94NB4F9 | AA16 |
| IO94PB4F9 | AA17 |
| IO95NB4F9 | AB14 |
| IO95PB4F9 | AB15 |
| IO96NB4F9 | W15 |
| IO96PB4F9 | W16 |
| IO97NB4F9 | AA13 |
| IO97PB4F9 | AB13 |
| IO98NB4F9 | AA14 |
| IO98PB4F9 | AA15 |
| IO100NB4F9 | Y14 |
| IO100PB4F9 | W14 |
| IO101NB4F9 | Y12 |
| IO101PB4F9 | Y13 |
| IO102NB4F9 | AA11 |
| IO102PB4F9 | AA12 |
| IO103NB4F9/CLKEN | V12 |
| IO103PB4F9/CLKEP | V13 |
| IO104NB4F9/CLKFN | W11 |
| IO104PB4F9/CLKFP | W12 |
| Bank 5 | |
| IO105NB5F10/CLKGN | U10 |
| IO105PB5F10/CLKGP | U11 |
| IO106NB5F10/CLKHN | V9 |
| IO106PB5F10/CLKHP | V10 |
| IO107NB5F10 | Y10 |
| IO107PB5F10 | Y11 |
| IO108NB5F10 | AA9 |

| FG484 | |
|----------------|------------|
| AX500 Function | Pin Number |
| IO108PB5F10 | AA10 |
| IO110NB5F10 | AB9 |
| IO110PB5F10 | AB10 |
| IO111NB5F10 | Y8 |
| IO111PB5F10 | Y9 |
| IO112NB5F10 | AB7 |
| IO113NB5F10 | W8 |
| IO113PB5F10 | W9 |
| IO114NB5F11 | AA7 |
| IO114PB5F11 | AA8 |
| IO115NB5F11 | AB5 |
| IO115PB5F11 | AB6 |
| IO116NB5F11 | Y6 |
| IO116PB5F11 | Y7 |
| IO117NB5F11 | U8 |
| IO117PB5F11 | U9 |
| IO118NB5F11 | AA5 |
| IO118PB5F11 | AA6 |
| IO119NB5F11 | AA4 |
| IO119PB5F11 | AB4 |
| IO120NB5F11 | Y4 |
| IO120PB5F11 | Y5 |
| IO121NB5F11 | W6 |
| IO121PB5F11 | W7 |
| IO122NB5F11 | V3 |
| IO122PB5F11 | W3 |
| IO123NB5F11 | T7 |
| IO123PB5F11 | T8 |
| IO124NB5F11 | V4 |
| IO124PB5F11 | W5 |
| IO125NB5F11 | V6 |
| IO125PB5F11 | V7 |
| Bank 6 | |
| IO126NB6F12 | V2 |
| IO126PB6F12 | W2 |

| FG484 | |
|----------------|------------|
| AX500 Function | Pin Number |
| IO127NB6F12 | P7 |
| IO127PB6F12 | R7 |
| IO128NB6F12 | V1 |
| IO128PB6F12 | W1 |
| IO129NB6F12 | U5 |
| IO129PB6F12 | T5 |
| IO130NB6F12 | T1 |
| IO130PB6F12 | U1 |
| IO131NB6F12 | P6 |
| IO131PB6F12 | R6 |
| IO132NB6F12 | T4 |
| IO132PB6F12 | U4 |
| IO133NB6F12 | U2 |
| IO134NB6F12 | T3 |
| IO134PB6F12 | U3 |
| IO135NB6F12 | P5 |
| IO135PB6F12 | R5 |
| IO136NB6F13 | R2 |
| IO136PB6F13 | T2 |
| IO138NB6F13 | P4 |
| IO138PB6F13 | R4 |
| IO139NB6F13 | N2 |
| IO139PB6F13 | P2 |
| IO140NB6F13 | P3 |
| IO140PB6F13 | R3 |
| IO141NB6F13 | M6 |
| IO141PB6F13 | N6 |
| IO142NB6F13 | P1 |
| IO142PB6F13 | R1 |
| IO143NB6F13 | M5 |
| IO143PB6F13 | N5 |
| IO144NB6F13 | M4 |
| IO144PB6F13 | N4 |
| IO145NB6F13 | M7 |
| IO145PB6F13 | N7 |

| FG484 | |
|----------------|------------|
| AX500 Function | Pin Number |
| IO146NB6F13 | M3 |
| IO146PB6F13 | N3 |
| Bank 7 | |
| IO147NB7F14 | K7 |
| IO147PB7F14 | L7 |
| IO148NB7F14 | M2 |
| IO148PB7F14 | N1 |
| IO149NB7F14 | K5 |
| IO149PB7F14 | L5 |
| IO150NB7F14 | L3 |
| IO150PB7F14 | L2 |
| IO151NB7F14 | K6 |
| IO151PB7F14 | L6 |
| IO152NB7F14 | K2 |
| IO152PB7F14 | K1 |
| IO153NB7F14 | K4 |
| IO153PB7F14 | K3 |
| IO154NB7F14 | H3 |
| IO154PB7F14 | J3 |
| IO155NB7F14 | H5 |
| IO155PB7F14 | J5 |
| IO156NB7F14 | H4 |
| IO156PB7F14 | J4 |
| IO157NB7F14 | H2 |
| IO157PB7F14 | J2 |
| IO158NB7F15 | H1 |
| IO158PB7F15 | J1 |
| IO159NB7F15 | F1 |
| IO159PB7F15 | G1 |
| IO160NB7F15 | F2 |
| IO160PB7F15 | G2 |
| IO161NB7F15 | H6 |
| IO161PB7F15 | J6 |
| IO162NB7F15 | F3 |
| IO162PB7F15 | G3 |

| FG484 | |
|----------------------|------------|
| AX500 Function | Pin Number |
| IO163NB7F15 | G5 |
| IO163PB7F15 | G6 |
| IO164NB7F15 | D1 |
| IO164PB7F15 | E1 |
| IO165NB7F15 | F4 |
| IO165PB7F15 | G4 |
| IO166NB7F15 | D2 |
| IO166PB7F15 | E2 |
| IO167NB7F15 | F5 |
| IO167PB7F15 | E4 |
| Dedicated I/O | |
| VCCDA | H7 |
| GND | A1 |
| GND | A11 |
| GND | A12 |
| GND | A2 |
| GND | A21 |
| GND | A22 |
| GND | AA1 |
| GND | AA2 |
| GND | AA21 |
| GND | AA22 |
| GND | AB1 |
| GND | AB11 |
| GND | AB12 |
| GND | AB2 |
| GND | AB21 |
| GND | AB22 |
| GND | B1 |
| GND | B2 |
| GND | B21 |
| GND | B22 |
| GND | C20 |
| GND | C3 |
| GND | D19 |

| FG484 | |
|----------------|------------|
| AX500 Function | Pin Number |
| GND | D4 |
| GND | E18 |
| GND | E5 |
| GND | G18 |
| GND | H15 |
| GND | H8 |
| GND | J14 |
| GND | J9 |
| GND | K10 |
| GND | K11 |
| GND | K12 |
| GND | K13 |
| GND | L1 |
| GND | L10 |
| GND | L11 |
| GND | L12 |
| GND | L13 |
| GND | L22 |
| GND | M1 |
| GND | M10 |
| GND | M11 |
| GND | M12 |
| GND | M13 |
| GND | M22 |
| GND | N10 |
| GND | N11 |
| GND | N12 |
| GND | N13 |
| GND | P14 |
| GND | P9 |
| GND | R15 |
| GND | R8 |
| GND | U16 |
| GND | U6 |
| GND | V18 |

| FG484 | |
|----------------|------------|
| AX500 Function | Pin Number |
| GND | V5 |
| GND | W19 |
| GND | W4 |
| GND | Y20 |
| GND | Y3 |
| GND/LP | G7 |
| NC | AB8 |
| NC | AB16 |
| NC | C10 |
| NC | C11 |
| NC | C14 |
| PRA | G11 |
| PRB | F11 |
| PRC | T12 |
| PRD | U12 |
| TCK | G8 |
| TDI | F9 |
| TDO | F7 |
| TMS | F6 |
| TRST | F8 |
| VCCA | G17 |
| VCCA | J10 |
| VCCA | J11 |
| VCCA | J12 |
| VCCA | J13 |
| VCCA | J7 |
| VCCA | K14 |
| VCCA | K9 |
| VCCA | L14 |
| VCCA | L9 |
| VCCA | M14 |
| VCCA | M9 |
| VCCA | N14 |
| VCCA | N9 |
| VCCA | P10 |

| FG484 | |
|----------------|------------|
| AX500 Function | Pin Number |
| VCCA | P11 |
| VCCA | P12 |
| VCCA | P13 |
| VCCA | T6 |
| VCCA | U17 |
| VCCPLA | F10 |
| VCCPLB | G9 |
| VCCPLC | D13 |
| VCCPLD | G13 |
| VCCPLE | U13 |
| VCCPLF | T14 |
| VCCPLG | W10 |
| VCCPLH | T10 |
| VCCDA | D14 |
| VCCDA | D5 |
| VCCDA | F16 |
| VCCDA | G12 |
| VCCDA | L4 |
| VCCDA | M18 |
| VCCDA | T11 |
| VCCDA | T17 |
| VCCDA | U7 |
| VCCDA | V14 |
| VCCDA | V8 |
| VCCIB0 | A3 |
| VCCIB0 | B3 |
| VCCIB0 | H10 |
| VCCIB0 | H11 |
| VCCIB0 | H9 |
| VCCIB1 | A20 |
| VCCIB1 | B20 |
| VCCIB1 | H12 |
| VCCIB1 | H13 |
| VCCIB1 | H14 |
| VCCIB2 | C21 |

| FG484 | |
|----------------|------------|
| AX500 Function | Pin Number |
| VCCIB2 | C22 |
| VCCIB2 | J15 |
| VCCIB2 | K15 |
| VCCIB2 | L15 |
| VCCIB3 | M15 |
| VCCIB3 | N15 |
| VCCIB3 | P15 |
| VCCIB3 | Y21 |
| VCCIB3 | Y22 |
| VCCIB4 | AA20 |
| VCCIB4 | AB20 |
| VCCIB4 | R12 |
| VCCIB4 | R13 |
| VCCIB4 | R14 |
| VCCIB5 | AA3 |
| VCCIB5 | AB3 |
| VCCIB5 | R10 |
| VCCIB5 | R11 |
| VCCIB5 | R9 |
| VCCIB6 | M8 |
| VCCIB6 | N8 |
| VCCIB6 | P8 |
| VCCIB6 | Y1 |
| VCCIB6 | Y2 |
| VCCIB7 | C1 |
| VCCIB7 | C2 |
| VCCIB7 | J8 |
| VCCIB7 | K8 |
| VCCIB7 | L8 |
| VCOMPLA | D10 |
| VCOMPLB | G10 |
| VCOMPLC | E12 |
| VCOMPLD | G14 |
| VCOMPLE | W13 |
| VCOMPLF | T13 |

| FG484 | |
|----------------|------------|
| AX500 Function | Pin Number |
| VCOMPLG | V11 |
| VCOMPLH | T9 |
| VPUMP | D17 |

| FG484 | |
|-----------------|------------|
| AX1000 Function | Pin Number |
| Bank 0 | |
| IO01NB0F0 | E3 |
| IO01PB0F0 | D3 |
| IO02NB0F0 | E7 |
| IO02PB0F0 | E6 |
| IO05NB0F0 | D2 |
| IO05PB0F0 | E2 |
| IO06NB0F0 | C5 |
| IO06PB0F0 | C4 |
| IO12NB0F1 | D7 |
| IO12PB0F1 | D6 |
| IO13NB0F1 | B5 |
| IO13PB0F1 | B4 |
| IO14NB0F1 | E9 |
| IO14PB0F1 | E8 |
| IO15NB0F1 | C7 |
| IO15PB0F1 | C6 |
| IO16NB0F1 | A5 |
| IO16PB0F1 | A4 |
| IO17NB0F1 | B7 |
| IO17PB0F1 | B6 |
| IO18NB0F1 | A7 |
| IO18PB0F1 | A6 |
| IO19NB0F1 | C9 |
| IO19PB0F1 | C8 |
| IO20NB0F1 | D9 |
| IO20PB0F1 | D8 |
| IO21NB0F1 | B9 |
| IO21PB0F1 | B8 |
| IO22NB0F2 | A9 |
| IO22PB0F2 | A8 |
| IO23NB0F2 | B10 |
| IO23PB0F2 | A10 |
| IO26NB0F2 | A14 |
| IO26PB0F2 | A13 |

| FG484 | |
|------------------|------------|
| AX1000 Function | Pin Number |
| IO29NB0F2 | B12 |
| IO29PB0F2 | B11 |
| IO30NB0F2/HCLKAN | E11 |
| IO30PB0F2/HCLKAP | E10 |
| IO31NB0F2/HCLKBN | D12 |
| IO31PB0F2/HCLKBP | D11 |
| Bank 1 | |
| IO32NB1F3/HCLKCN | F13 |
| IO32PB1F3/HCLKCP | F12 |
| IO33NB1F3/HCLKDN | E14 |
| IO33PB1F3/HCLKDP | E13 |
| IO34NB1F3 | C13 |
| IO34PB1F3 | C12 |
| IO37NB1F3 | B14 |
| IO37PB1F3 | B13 |
| IO38NB1F3 | A16 |
| IO38PB1F3 | A15 |
| IO40NB1F3 | C15 |
| IO42NB1F4 | A18 |
| IO42PB1F4 | A17 |
| IO43NB1F4 | B16 |
| IO43PB1F4 | B15 |
| IO44NB1F4 | B18 |
| IO44PB1F4 | B17 |
| IO45NB1F4 | B19 |
| IO45PB1F4 | A19 |
| IO46NB1F4 | C19 |
| IO46PB1F4 | C18 |
| IO48NB1F4 | F15 |
| IO48PB1F4 | F14 |
| IO49NB1F4 | D16 |
| IO49PB1F4 | D15 |
| IO50NB1F4 | C17 |
| IO50PB1F4 | C16 |
| IO51NB1F4 | E22 |

| FG484 | |
|-----------------|------------|
| AX1000 Function | Pin Number |
| IO51PB1F4 | D22 |
| IO52NB1F4 | E16 |
| IO52PB1F4 | E15 |
| IO57NB1F5 | E21 |
| IO57PB1F5 | D21 |
| IO60NB1F5 | G16 |
| IO60PB1F5 | G15 |
| IO61NB1F5 | D18 |
| IO61PB1F5 | E17 |
| IO63NB1F5 | E20 |
| IO63PB1F5 | D20 |
| Bank 2 | |
| IO64NB2F6 | F18 |
| IO64PB2F6 | F17 |
| IO67NB2F6 | F19 |
| IO67PB2F6 | E19 |
| IO68NB2F6 | J16 |
| IO68PB2F6 | H16 |
| IO70NB2F6 | J17 |
| IO70PB2F6 | H17 |
| IO74NB2F7 | J18 |
| IO74PB2F7 | H18 |
| IO75NB2F7 | G20 |
| IO75PB2F7 | F20 |
| IO79NB2F7 | H19 |
| IO79PB2F7 | G19 |
| IO80NB2F7 | L16 |
| IO80PB2F7 | K16 |
| IO84NB2F7 | L17 |
| IO84PB2F7 | K17 |
| IO85NB2F8 | G21 |
| IO85PB2F8 | F21 |
| IO86NB2F8 | G22 |
| IO86PB2F8 | F22 |
| IO87NB2F8 | J20 |

| FG484 | |
|-----------------|------------|
| AX1000 Function | Pin Number |
| IO87PB2F8 | H20 |
| IO88NB2F8 | L18 |
| IO88PB2F8 | K18 |
| IO89NB2F8 | K19 |
| IO89PB2F8 | J19 |
| IO90NB2F8 | J21 |
| IO90PB2F8 | H21 |
| IO91NB2F8 | J22 |
| IO91PB2F8 | H22 |
| IO93NB2F8 | K21 |
| IO93PB2F8 | K22 |
| IO94NB2F8 | L20 |
| IO94PB2F8 | K20 |
| IO95NB2F8 | M21 |
| IO95PB2F8 | L21 |
| Bank 3 | |
| IO96NB3F9 | N16 |
| IO96PB3F9 | M16 |
| IO97NB3F9 | M19 |
| IO97PB3F9 | L19 |
| IO98NB3F9 | P22 |
| IO98PB3F9 | N22 |
| IO99NB3F9 | N20 |
| IO99PB3F9 | M20 |
| IO100NB3F9 | N17 |
| IO100PB3F9 | M17 |
| IO101NB3F9 | P21 |
| IO101PB3F9 | N21 |
| IO103NB3F9 | R20 |
| IO103PB3F9 | P20 |
| IO104NB3F9 | N18 |
| IO104PB3F9 | N19 |
| IO105NB3F9 | T22 |
| IO105PB3F9 | R22 |
| IO106NB3F9 | R17 |

| FG484 | |
|-----------------|------------|
| AX1000 Function | Pin Number |
| IO106PB3F9 | P17 |
| IO107NB3F10 | T21 |
| IO107PB3F10 | R21 |
| IO110NB3F10 | V22 |
| IO110PB3F10 | U22 |
| IO113NB3F10 | V21 |
| IO113PB3F10 | U21 |
| IO114NB3F10 | P18 |
| IO114PB3F10 | P19 |
| IO116PB3F10 | R19 |
| IO117NB3F10 | U20 |
| IO117PB3F10 | T20 |
| IO118NB3F11 | T18 |
| IO118PB3F11 | R18 |
| IO121NB3F11 | U19 |
| IO121PB3F11 | T19 |
| IO124NB3F11 | R16 |
| IO124PB3F11 | P16 |
| IO127NB3F11 | W21 |
| IO127PB3F11 | W22 |
| Bank 4 | |
| IO129PB4F12 | AB17 |
| IO132NB4F12 | Y19 |
| IO132PB4F12 | W18 |
| IO133NB4F12 | W17 |
| IO133PB4F12 | V17 |
| IO135NB4F12 | T15 |
| IO135PB4F12 | T16 |
| IO138NB4F12 | Y17 |
| IO138PB4F12 | Y18 |
| IO139NB4F13 | V15 |
| IO139PB4F13 | V16 |
| IO140NB4F13 | U18 |
| IO140PB4F13 | V19 |
| IO142NB4F13 | W20 |

| FG484 | |
|-------------------|------------|
| AX1000 Function | Pin Number |
| IO142PB4F13 | V20 |
| IO143NB4F13 | W15 |
| IO143PB4F13 | W16 |
| IO144NB4F13 | AA18 |
| IO144PB4F13 | AA19 |
| IO145NB4F13 | U14 |
| IO145PB4F13 | U15 |
| IO146NB4F13 | Y15 |
| IO146PB4F13 | Y16 |
| IO147NB4F13 | AB18 |
| IO147PB4F13 | AB19 |
| IO149NB4F13 | Y14 |
| IO149PB4F13 | W14 |
| IO150NB4F13 | AA16 |
| IO150PB4F13 | AA17 |
| IO152NB4F14 | AA14 |
| IO152PB4F14 | AA15 |
| IO154NB4F14 | AB14 |
| IO154PB4F14 | AB15 |
| IO155NB4F14 | AA13 |
| IO155PB4F14 | AB13 |
| IO158NB4F14 | Y12 |
| IO158PB4F14 | Y13 |
| IO159NB4F14/CLKEN | V12 |
| IO159PB4F14/CLKEP | V13 |
| IO160NB4F14/CLKFN | W11 |
| IO160PB4F14/CLKFP | W12 |
| Bank 5 | |
| IO161NB5F15/CLKGN | U10 |
| IO161PB5F15/CLKGP | U11 |
| IO162NB5F15/CLKHN | V9 |
| IO162PB5F15/CLKHP | V10 |
| IO163NB5F15 | Y10 |
| IO163PB5F15 | Y11 |
| IO167NB5F15 | AA11 |

| FG484 | |
|-----------------|------------|
| AX1000 Function | Pin Number |
| IO167PB5F15 | AA12 |
| IO169NB5F15 | AA9 |
| IO169PB5F15 | AA10 |
| IO170NB5F15 | AB9 |
| IO170PB5F15 | AB10 |
| IO171NB5F16 | W8 |
| IO171PB5F16 | W9 |
| IO172NB5F16 | Y8 |
| IO172PB5F16 | Y9 |
| IO173NB5F16 | U8 |
| IO173PB5F16 | U9 |
| IO174NB5F16 | AA7 |
| IO174PB5F16 | AA8 |
| IO175NB5F16 | AB5 |
| IO175PB5F16 | AB6 |
| IO176NB5F16 | AA5 |
| IO176PB5F16 | AA6 |
| IO177NB5F16 | AA4 |
| IO177PB5F16 | AB4 |
| IO178NB5F16 | Y6 |
| IO178PB5F16 | Y7 |
| IO179NB5F16 | T7 |
| IO179PB5F16 | T8 |
| IO180NB5F16 | W6 |
| IO180PB5F16 | W7 |
| IO181NB5F17 | Y4 |
| IO181PB5F17 | Y5 |
| IO184NB5F17 | AB7 |
| IO187NB5F17 | V3 |
| IO187PB5F17 | W3 |
| IO188NB5F17 | V4 |
| IO188PB5F17 | W5 |
| IO192NB5F17 | V6 |
| IO192PB5F17 | V7 |
| Bank 6 | |

| FG484 | |
|-----------------|------------|
| AX1000 Function | Pin Number |
| IO194NB6F18 | V2 |
| IO194PB6F18 | W2 |
| IO195NB6F18 | U5 |
| IO195PB6F18 | T5 |
| IO200NB6F18 | T4 |
| IO200PB6F18 | U4 |
| IO201NB6F18 | P6 |
| IO201PB6F18 | R6 |
| IO203NB6F19 | U2 |
| IO204NB6F19 | T3 |
| IO204PB6F19 | U3 |
| IO205NB6F19 | P5 |
| IO205PB6F19 | R5 |
| IO208NB6F19 | V1 |
| IO208PB6F19 | W1 |
| IO209NB6F19 | P7 |
| IO209PB6F19 | R7 |
| IO212NB6F19 | P4 |
| IO212PB6F19 | R4 |
| IO214NB6F20 | P3 |
| IO214PB6F20 | R3 |
| IO215NB6F20 | M6 |
| IO215PB6F20 | N6 |
| IO216NB6F20 | R2 |
| IO216PB6F20 | T2 |
| IO217NB6F20 | T1 |
| IO217PB6F20 | U1 |
| IO219NB6F20 | M5 |
| IO219PB6F20 | N5 |
| IO220NB6F20 | P1 |
| IO220PB6F20 | R1 |
| IO221NB6F20 | N2 |
| IO221PB6F20 | P2 |
| IO222NB6F20 | M3 |
| IO222PB6F20 | N3 |

| FG484 | |
|-----------------|------------|
| AX1000 Function | Pin Number |
| IO223NB6F20 | M7 |
| IO223PB6F20 | N7 |
| IO224NB6F20 | M4 |
| IO224PB6F20 | N4 |
| Bank 7 | |
| IO225NB7F21 | M2 |
| IO225PB7F21 | N1 |
| IO226NB7F21 | K2 |
| IO226PB7F21 | K1 |
| IO228NB7F21 | L3 |
| IO228PB7F21 | L2 |
| IO229NB7F21 | K5 |
| IO229PB7F21 | L5 |
| IO230NB7F21 | H1 |
| IO230PB7F21 | J1 |
| IO231NB7F21 | H2 |
| IO231PB7F21 | J2 |
| IO232NB7F21 | K4 |
| IO232PB7F21 | K3 |
| IO233NB7F21 | K6 |
| IO233PB7F21 | L6 |
| IO234NB7F21 | F1 |
| IO234PB7F21 | G1 |
| IO235NB7F21 | F2 |
| IO235PB7F21 | G2 |
| IO236NB7F22 | H3 |
| IO236PB7F22 | J3 |
| IO237NB7F22 | K7 |
| IO237PB7F22 | L7 |
| IO241NB7F22 | H6 |
| IO241PB7F22 | J6 |
| IO242NB7F22 | H4 |
| IO242PB7F22 | J4 |
| IO243NB7F22 | H5 |
| IO243PB7F22 | J5 |

| FG484 | |
|-----------------|------------|
| AX1000 Function | Pin Number |
| IO246NB7F22 | F3 |
| IO246PB7F22 | G3 |
| IO250NB7F23 | F4 |
| IO250PB7F23 | G4 |
| IO253NB7F23 | G5 |
| IO253PB7F23 | G6 |
| IO254NB7F23 | D1 |
| IO254PB7F23 | E1 |
| IO257NB7F23 | F5 |
| IO257PB7F23 | E4 |
| Dedicated I/O | |
| VCCDA | H7 |
| GND | A1 |
| GND | A11 |
| GND | A12 |
| GND | A2 |
| GND | A21 |
| GND | A22 |
| GND | AA1 |
| GND | AA2 |
| GND | AA21 |
| GND | AA22 |
| GND | AB1 |
| GND | AB11 |
| GND | AB12 |
| GND | AB2 |
| GND | AB21 |
| GND | AB22 |
| GND | B1 |
| GND | B2 |
| GND | B21 |
| GND | B22 |
| GND | C20 |
| GND | C3 |
| GND | D19 |

| FG484 | |
|-----------------|------------|
| AX1000 Function | Pin Number |
| GND | D4 |
| GND | E18 |
| GND | E5 |
| GND | G18 |
| GND | H15 |
| GND | H8 |
| GND | J14 |
| GND | J9 |
| GND | K10 |
| GND | K11 |
| GND | K12 |
| GND | K13 |
| GND | L1 |
| GND | L10 |
| GND | L11 |
| GND | L12 |
| GND | L13 |
| GND | L22 |
| GND | M1 |
| GND | M10 |
| GND | M11 |
| GND | M12 |
| GND | M13 |
| GND | M22 |
| GND | N10 |
| GND | N11 |
| GND | N12 |
| GND | N13 |
| GND | P14 |
| GND | P9 |
| GND | R15 |
| GND | R8 |
| GND | U16 |
| GND | U6 |
| GND | V18 |

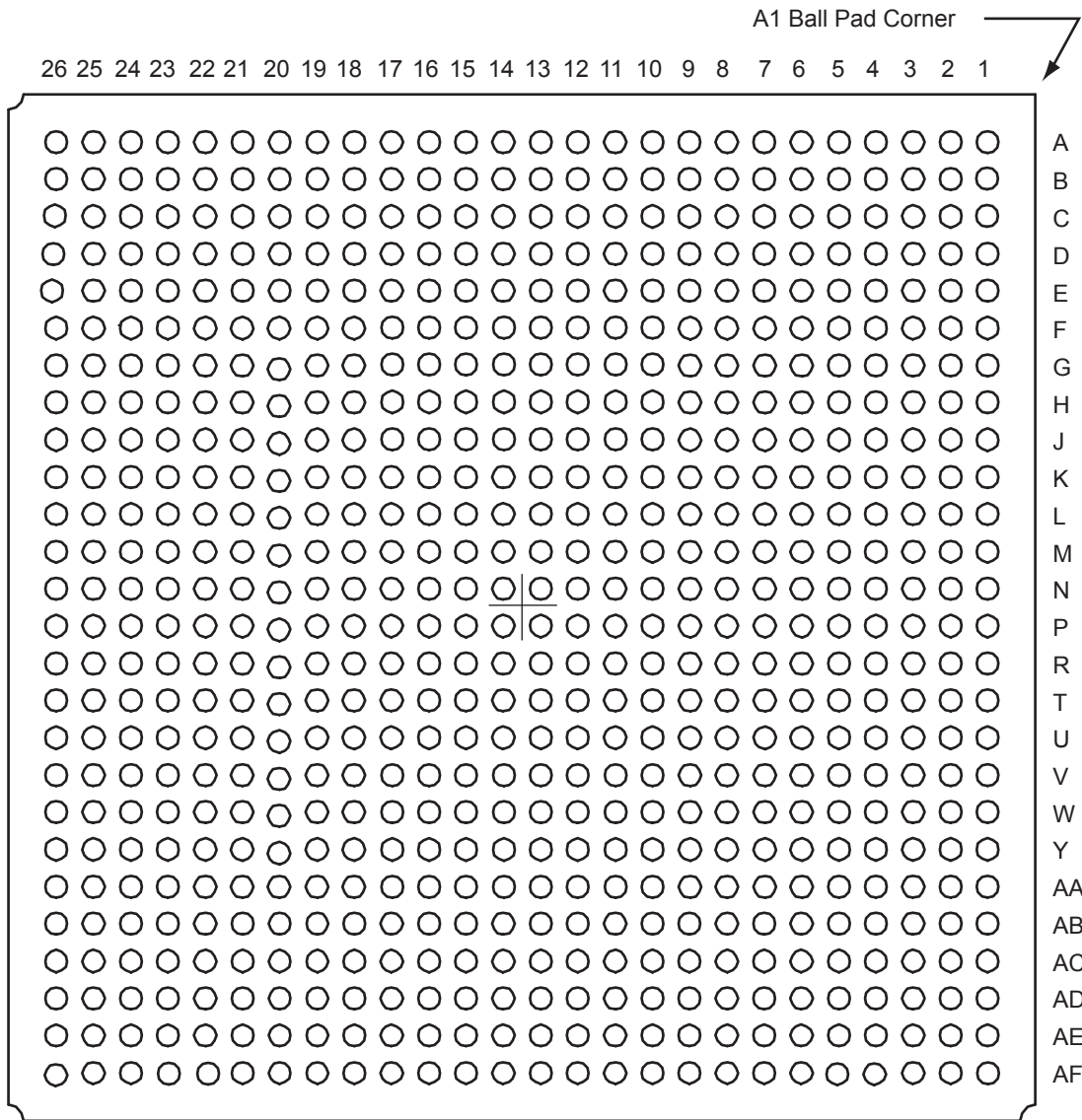
| FG484 | |
|-----------------|------------|
| AX1000 Function | Pin Number |
| GND | V5 |
| GND | W19 |
| GND | W4 |
| GND | Y20 |
| GND | Y3 |
| GND/LP | G7 |
| PRA | G11 |
| PRB | F11 |
| PRC | T12 |
| PRD | U12 |
| TCK | G8 |
| TDI | F9 |
| TDO | F7 |
| TMS | F6 |
| TRST | F8 |
| VCCA | G17 |
| VCCA | J10 |
| VCCA | J11 |
| VCCA | J12 |
| VCCA | J13 |
| VCCA | J7 |
| VCCA | K14 |
| VCCA | K9 |
| VCCA | L14 |
| VCCA | L9 |
| VCCA | M14 |
| VCCA | M9 |
| VCCA | N14 |
| VCCA | N9 |
| VCCA | P10 |
| VCCA | P11 |
| VCCA | P12 |
| VCCA | P13 |
| VCCA | T6 |
| VCCA | U17 |

| FG484 | |
|-----------------|------------|
| AX1000 Function | Pin Number |
| VCCPLA | F10 |
| VCCPLB | G9 |
| VCCPLC | D13 |
| VCCPLD | G13 |
| VCCPLE | U13 |
| VCCPLF | T14 |
| VCCPLG | W10 |
| VCCPLH | T10 |
| VCCDA | AB16 |
| VCCDA | AB8 |
| VCCDA | C10 |
| VCCDA | C11 |
| VCCDA | C14 |
| VCCDA | D14 |
| VCCDA | D5 |
| VCCDA | F16 |
| VCCDA | G12 |
| VCCDA | L4 |
| VCCDA | M18 |
| VCCDA | T11 |
| VCCDA | T17 |
| VCCDA | U7 |
| VCCDA | V14 |
| VCCDA | V8 |
| VCCIB0 | A3 |
| VCCIB0 | B3 |
| VCCIB0 | H10 |
| VCCIB0 | H11 |
| VCCIB0 | H9 |
| VCCIB1 | A20 |
| VCCIB1 | B20 |
| VCCIB1 | H12 |
| VCCIB1 | H13 |
| VCCIB1 | H14 |
| VCCIB2 | C21 |

| FG484 | |
|-----------------|------------|
| AX1000 Function | Pin Number |
| VCCIB2 | C22 |
| VCCIB2 | J15 |
| VCCIB2 | K15 |
| VCCIB2 | L15 |
| VCCIB3 | M15 |
| VCCIB3 | N15 |
| VCCIB3 | P15 |
| VCCIB3 | Y21 |
| VCCIB3 | Y22 |
| VCCIB4 | AA20 |
| VCCIB4 | AB20 |
| VCCIB4 | R12 |
| VCCIB4 | R13 |
| VCCIB4 | R14 |
| VCCIB5 | AA3 |
| VCCIB5 | AB3 |
| VCCIB5 | R10 |
| VCCIB5 | R11 |
| VCCIB5 | R9 |
| VCCIB6 | M8 |
| VCCIB6 | N8 |
| VCCIB6 | P8 |
| VCCIB6 | Y1 |
| VCCIB6 | Y2 |
| VCCIB7 | C1 |
| VCCIB7 | C2 |
| VCCIB7 | J8 |
| VCCIB7 | K8 |
| VCCIB7 | L8 |
| VCOMPLA | D10 |
| VCOMPLB | G10 |
| VCOMPLC | E12 |
| VCOMPLD | G14 |
| VCOMPLE | W13 |
| VCOMPLF | T13 |

| FG484 | |
|-----------------|------------|
| AX1000 Function | Pin Number |
| VCOMPLG | V11 |
| VCOMPLH | T9 |
| VPUMP | D17 |

FG676



Note

For Package Manufacturing and Environmental information, visit Resource center at <http://www.microsemi.com/soc/products/rescenter/package/index.html>.

| FG676 | |
|----------------|------------|
| AX500 Function | Pin Number |
| Bank 0 | |
| IO00NB0F0 | F8 |
| IO00PB0F0 | E8 |
| IO01NB0F0 | A5 |
| IO01PB0F0 | A4 |
| IO02NB0F0 | E7 |
| IO02PB0F0 | E6 |
| IO03NB0F0 | D6 |
| IO03PB0F0 | D5 |
| IO04NB0F0 | B5 |
| IO04PB0F0 | C5 |
| IO05NB0F0 | B6 |
| IO05PB0F0 | C6 |
| IO06NB0F0 | C7 |
| IO06PB0F0 | D7 |
| IO07NB0F0 | A7 |
| IO07PB0F0 | A6 |
| IO08NB0F0 | C8 |
| IO08PB0F0 | D8 |
| IO09NB0F0 | F10 |
| IO09PB0F0 | F9 |
| IO10NB0F0 | B8 |
| IO10PB0F0 | B7 |
| IO11NB0F0 | D10 |
| IO11PB0F0 | E10 |
| IO12NB0F1 | B9 |
| IO12PB0F1 | C9 |
| IO13NB0F1 | F11 |
| IO13PB0F1 | G11 |
| IO14NB0F1 | D11 |
| IO14PB0F1 | E11 |
| IO15NB0F1 | B10 |
| IO15PB0F1 | C10 |
| IO16NB0F1 | A10 |
| IO16PB0F1 | A9 |

| FG676 | |
|------------------|------------|
| AX500 Function | Pin Number |
| IO17NB0F1 | F12 |
| IO17PB0F1 | G12 |
| IO18NB0F1 | C12 |
| IO18PB0F1 | C11 |
| IO19NB0F1/HCLKAN | A12 |
| IO19PB0F1/HCLKAP | B12 |
| IO20NB0F1/HCLKBN | C13 |
| IO20PB0F1/HCLKBP | B13 |
| Bank 1 | |
| IO21NB1F2/HCLKCN | C15 |
| IO21PB1F2/HCLKCP | C14 |
| IO22NB1F2/HCLKDN | A15 |
| IO22PB1F2/HCLKDP | B15 |
| IO23NB1F2 | F15 |
| IO23PB1F2 | G15 |
| IO24NB1F2 | B16 |
| IO24PB1F2 | A16 |
| IO25NB1F2 | A18 |
| IO25PB1F2 | A17 |
| IO26NB1F2 | D16 |
| IO26PB1F2 | E16 |
| IO27NB1F2 | F16 |
| IO27PB1F2 | G16 |
| IO28NB1F2 | C18 |
| IO28PB1F2 | C17 |
| IO29NB1F2 | B19 |
| IO29PB1F2 | B18 |
| IO30NB1F2 | D19 |
| IO30PB1F2 | C19 |
| IO31NB1F2 | F17 |
| IO31PB1F2 | E17 |
| IO32NB1F3 | B20 |
| IO32PB1F3 | A20 |
| IO33NB1F3 | B22 |
| IO33PB1F3 | B21 |

| FG676 | |
|----------------|------------|
| AX500 Function | Pin Number |
| IO34NB1F3 | D20 |
| IO34PB1F3 | C20 |
| IO35NB1F3 | D21 |
| IO35PB1F3 | C21 |
| IO36NB1F3 | D22 |
| IO36PB1F3 | C22 |
| IO37NB1F3 | F19 |
| IO37PB1F3 | E19 |
| IO38NB1F3 | B23 |
| IO38PB1F3 | A23 |
| IO39NB1F3 | E21 |
| IO39PB1F3 | E20 |
| IO40NB1F3 | D23 |
| IO40PB1F3 | C23 |
| IO41NB1F3 | D25 |
| IO41PB1F3 | C25 |
| Bank 2 | |
| IO42NB2F4 | G24 |
| IO42PB2F4 | G23 |
| IO43NB2F4 | G26 |
| IO43PB2F4 | F26 |
| IO44NB2F4 | F25 |
| IO44PB2F4 | E25 |
| IO45NB2F4 | J21 |
| IO45PB2F4 | J22 |
| IO46NB2F4 | H25 |
| IO46PB2F4 | G25 |
| IO47NB2F4 | K23 |
| IO47PB2F4 | J23 |
| IO48NB2F4 | J24 |
| IO48PB2F4 | H24 |
| IO49NB2F4 | K21 |
| IO49PB2F4 | K22 |
| IO50NB2F4 | K25 |
| IO50PB2F4 | J25 |

| FG676 | |
|----------------|------------|
| AX500 Function | Pin Number |
| IO51NB2F4 | L20 |
| IO51PB2F4 | L21 |
| IO52NB2F5 | K26 |
| IO52PB2F5 | J26 |
| IO53NB2F5 | L23 |
| IO53PB2F5 | L22 |
| IO54NB2F5 | L24 |
| IO54PB2F5 | K24 |
| IO55NB2F5 | M20 |
| IO55PB2F5 | M21 |
| IO56NB2F5 | L26 |
| IO56PB2F5 | L25 |
| IO57NB2F5 | M23 |
| IO57PB2F5 | M22 |
| IO58NB2F5 | M26 |
| IO58PB2F5 | M25 |
| IO59NB2F5 | N22 |
| IO59PB2F5 | N23 |
| IO60NB2F5 | N24 |
| IO60PB2F5 | M24 |
| IO61NB2F5 | N20 |
| IO61PB2F5 | N21 |
| IO62NB2F5 | P25 |
| IO62PB2F5 | N25 |
| Bank 3 | |
| IO63NB3F6 | T26 |
| IO63PB3F6 | R26 |
| IO64NB3F6 | R24 |
| IO64PB3F6 | P24 |
| IO65NB3F6 | P20 |
| IO65PB3F6 | P21 |
| IO66NB3F6 | T25 |
| IO66PB3F6 | R25 |
| IO67NB3F6 | T23 |
| IO67PB3F6 | R23 |

| FG676 | |
|----------------|------------|
| AX500 Function | Pin Number |
| IO68NB3F6 | V26 |
| IO68PB3F6 | U26 |
| IO69NB3F6 | V25 |
| IO69PB3F6 | U25 |
| IO70NB3F6 | Y25 |
| IO70PB3F6 | W25 |
| IO71NB3F6 | W24 |
| IO71PB3F6 | V24 |
| IO72NB3F6 | V23 |
| IO72PB3F6 | U23 |
| IO73NB3F6 | T21 |
| IO73PB3F6 | T20 |
| IO74NB3F7 | AA26 |
| IO74PB3F7 | Y26 |
| IO75NB3F7 | AA24 |
| IO75PB3F7 | Y24 |
| IO76NB3F7 | Y23 |
| IO76PB3F7 | W23 |
| IO77NB3F7 | V21 |
| IO77PB3F7 | U21 |
| IO78NB3F7 | AB25 |
| IO78PB3F7 | AA25 |
| IO79NB3F7 | AC26 |
| IO79PB3F7 | AB26 |
| IO80NB3F7 | AC24 |
| IO80PB3F7 | AB24 |
| IO81NB3F7 | AB23 |
| IO81PB3F7 | AA23 |
| IO82NB3F7 | AA22 |
| IO82PB3F7 | Y22 |
| IO83NB3F7 | AE26 |
| IO83PB3F7 | AD26 |
| Bank 4 | |
| IO84NB4F8 | AB21 |
| IO84PB4F8 | AA21 |

| FG676 | |
|----------------|------------|
| AX500 Function | Pin Number |
| IO85NB4F8 | AE23 |
| IO85PB4F8 | AE24 |
| IO86NB4F8 | AC21 |
| IO86PB4F8 | AC22 |
| IO87NB4F8 | AF22 |
| IO87PB4F8 | AF23 |
| IO88NB4F8 | AD22 |
| IO88PB4F8 | AD23 |
| IO89NB4F8 | AC19 |
| IO89PB4F8 | AC20 |
| IO90NB4F8 | AE21 |
| IO90PB4F8 | AE22 |
| IO91NB4F8 | AA17 |
| IO91PB4F8 | AA18 |
| IO92NB4F8 | AD20 |
| IO92PB4F8 | AD21 |
| IO93NB4F8 | AF20 |
| IO93PB4F8 | AF21 |
| IO94NB4F9 | AE19 |
| IO94PB4F9 | AE20 |
| IO95NB4F9 | AC17 |
| IO95PB4F9 | AC18 |
| IO96NB4F9 | AD18 |
| IO96PB4F9 | AD19 |
| IO97NB4F9 | AA16 |
| IO97PB4F9 | Y16 |
| IO98NB4F9 | AE17 |
| IO98PB4F9 | AE18 |
| IO99NB4F9 | AC16 |
| IO99PB4F9 | AB16 |
| IO100NB4F9 | AF17 |
| IO100PB4F9 | AF18 |
| IO101NB4F9 | AA15 |
| IO101PB4F9 | Y15 |
| IO102NB4F9 | AC15 |

| FG676 | |
|-------------------|------------|
| AX500 Function | Pin Number |
| IO102PB4F9 | AB15 |
| IO103NB4F9/CLKEN | AE16 |
| IO103PB4F9/CLKEP | AF16 |
| IO104NB4F9/CLKFN | AE14 |
| IO104PB4F9/CLKFP | AE15 |
| Bank 5 | |
| IO105NB5F10/CLKGN | AE12 |
| IO105PB5F10/CLKGP | AE13 |
| IO106NB5F10/CLKHN | AE11 |
| IO106PB5F10/CLKHP | AF11 |
| IO107NB5F10 | Y12 |
| IO107PB5F10 | AA13 |
| IO108NB5F10 | AC12 |
| IO108PB5F10 | AB12 |
| IO109NB5F10 | AC10 |
| IO109PB5F10 | AC11 |
| IO110NB5F10 | AF9 |
| IO110PB5F10 | AF10 |
| IO111NB5F10 | Y11 |
| IO111PB5F10 | AA12 |
| IO112NB5F10 | AE9 |
| IO112PB5F10 | AE10 |
| IO113NB5F10 | AC9 |
| IO113PB5F10 | AD9 |
| IO114NB5F11 | AF6 |
| IO114PB5F11 | AF7 |
| IO115NB5F11 | AA10 |
| IO115PB5F11 | AB10 |
| IO116NB5F11 | AE7 |
| IO116PB5F11 | AE8 |
| IO117NB5F11 | AD7 |
| IO117PB5F11 | AD8 |
| IO118NB5F11 | AC7 |
| IO118PB5F11 | AC8 |
| IO119NB5F11 | AD6 |

| FG676 | |
|----------------|------------|
| AX500 Function | Pin Number |
| IO119PB5F11 | AE6 |
| IO120NB5F11 | AE5 |
| IO120PB5F11 | AF5 |
| IO121NB5F11 | AF4 |
| IO121PB5F11 | AE4 |
| IO122NB5F11 | AC5 |
| IO122PB5F11 | AC6 |
| IO123NB5F11 | AD4 |
| IO123PB5F11 | AD5 |
| IO124NB5F11 | AB6 |
| IO124PB5F11 | AB7 |
| IO125NB5F11 | AE3 |
| IO125PB5F11 | AF3 |
| Bank 6 | |
| IO126NB6F12 | AB3 |
| IO126PB6F12 | AC3 |
| IO127NB6F12 | AA2 |
| IO127PB6F12 | AB2 |
| IO128NB6F12 | AC2 |
| IO128PB6F12 | AD2 |
| IO129NB6F12 | Y1 |
| IO129PB6F12 | AA1 |
| IO130NB6F12 | Y3 |
| IO130PB6F12 | AA3 |
| IO131NB6F12 | U6 |
| IO131PB6F12 | V6 |
| IO132NB6F12 | W2 |
| IO132PB6F12 | Y2 |
| IO133NB6F12 | V4 |
| IO133PB6F12 | W4 |
| IO134NB6F12 | V3 |
| IO134PB6F12 | W3 |
| IO135NB6F12 | V1 |
| IO135PB6F12 | V2 |
| IO136NB6F13 | U4 |

| FG676 | |
|----------------|------------|
| AX500 Function | Pin Number |
| IO136PB6F13 | U5 |
| IO137NB6F13 | T6 |
| IO137PB6F13 | T7 |
| IO138NB6F13 | T5 |
| IO138PB6F13 | T4 |
| IO139NB6F13 | R6 |
| IO139PB6F13 | R7 |
| IO140NB6F13 | T3 |
| IO140PB6F13 | U3 |
| IO141NB6F13 | U1 |
| IO141PB6F13 | U2 |
| IO142NB6F13 | R2 |
| IO142PB6F13 | T2 |
| IO143NB6F13 | P3 |
| IO143PB6F13 | R3 |
| IO144NB6F13 | P5 |
| IO144PB6F13 | P4 |
| IO145NB6F13 | P6 |
| IO145PB6F13 | P7 |
| IO146NB6F13 | R1 |
| IO146PB6F13 | T1 |
| Bank 7 | |
| IO147NB7F14 | N6 |
| IO147PB7F14 | N7 |
| IO148NB7F14 | N5 |
| IO148PB7F14 | N4 |
| IO149NB7F14 | N2 |
| IO149PB7F14 | N3 |
| IO150NB7F14 | L1 |
| IO150PB7F14 | M1 |
| IO151NB7F14 | M2 |
| IO151PB7F14 | M3 |
| IO152NB7F14 | M5 |
| IO152PB7F14 | M4 |
| IO153NB7F14 | M7 |

| FG676 | |
|----------------------|------------|
| AX500 Function | Pin Number |
| IO153PB7F14 | M6 |
| IO154NB7F14 | K2 |
| IO154PB7F14 | L2 |
| IO155NB7F14 | K3 |
| IO155PB7F14 | L3 |
| IO156NB7F14 | L5 |
| IO156PB7F14 | L4 |
| IO157NB7F14 | L6 |
| IO157PB7F14 | L7 |
| IO158NB7F15 | J1 |
| IO158PB7F15 | K1 |
| IO159NB7F15 | J4 |
| IO159PB7F15 | K4 |
| IO160NB7F15 | H2 |
| IO160PB7F15 | J2 |
| IO161NB7F15 | K6 |
| IO161PB7F15 | K5 |
| IO162NB7F15 | H3 |
| IO162PB7F15 | J3 |
| IO163NB7F15 | G2 |
| IO163PB7F15 | G1 |
| IO164NB7F15 | G4 |
| IO164PB7F15 | H4 |
| IO165NB7F15 | F3 |
| IO165PB7F15 | G3 |
| IO166NB7F15 | E2 |
| IO166PB7F15 | F2 |
| IO167NB7F15 | F5 |
| IO167PB7F15 | G5 |
| Dedicated I/O | |
| GND | A1 |
| GND | A13 |
| GND | A14 |
| GND | A19 |
| GND | A26 |

| FG676 | |
|----------------|------------|
| AX500 Function | Pin Number |
| GND | A8 |
| GND | AC23 |
| GND | AC4 |
| GND | AD24 |
| GND | AD3 |
| GND | AE2 |
| GND | AE25 |
| GND | AF1 |
| GND | AF13 |
| GND | AF14 |
| GND | AF19 |
| GND | AF26 |
| GND | AF8 |
| GND | B2 |
| GND | B25 |
| GND | B26 |
| GND | C24 |
| GND | C3 |
| GND | G20 |
| GND | G7 |
| GND | H1 |
| GND | H19 |
| GND | H26 |
| GND | H8 |
| GND | J18 |
| GND | J9 |
| GND | K10 |
| GND | K11 |
| GND | K12 |
| GND | K13 |
| GND | K14 |
| GND | K15 |
| GND | K16 |
| GND | K17 |
| GND | L10 |

| FG676 | |
|----------------|------------|
| AX500 Function | Pin Number |
| GND | L11 |
| GND | L12 |
| GND | L13 |
| GND | L14 |
| GND | L15 |
| GND | L16 |
| GND | L17 |
| GND | M10 |
| GND | M11 |
| GND | M12 |
| GND | M13 |
| GND | M14 |
| GND | M15 |
| GND | M16 |
| GND | M17 |
| GND | N1 |
| GND | N10 |
| GND | N11 |
| GND | N12 |
| GND | N13 |
| GND | N14 |
| GND | N15 |
| GND | N16 |
| GND | N17 |
| GND | N26 |
| GND | P1 |
| GND | P10 |
| GND | P11 |
| GND | P12 |
| GND | P13 |
| GND | P14 |
| GND | P15 |
| GND | P16 |
| GND | P17 |
| GND | P26 |

| FG676 | |
|----------------|------------|
| AX500 Function | Pin Number |
| GND | R10 |
| GND | R11 |
| GND | R12 |
| GND | R13 |
| GND | R14 |
| GND | R15 |
| GND | R16 |
| GND | R17 |
| GND | T10 |
| GND | T11 |
| GND | T12 |
| GND | T13 |
| GND | T14 |
| GND | T15 |
| GND | T16 |
| GND | T17 |
| GND | U10 |
| GND | U11 |
| GND | U12 |
| GND | U13 |
| GND | U14 |
| GND | U15 |
| GND | U16 |
| GND | U17 |
| GND | V18 |
| GND | V9 |
| GND | W1 |
| GND | W19 |
| GND | W26 |
| GND | W8 |
| GND | Y20 |
| GND | Y7 |
| GND/LP | C2 |
| NC | A11 |
| NC | A21 |

| FG676 | |
|----------------|------------|
| AX500 Function | Pin Number |
| NC | A22 |
| NC | A24 |
| NC | A25 |
| NC | AA11 |
| NC | AA19 |
| NC | AA20 |
| NC | AA4 |
| NC | AA5 |
| NC | AA6 |
| NC | AA7 |
| NC | AA8 |
| NC | AA9 |
| NC | AB1 |
| NC | AB11 |
| NC | AB17 |
| NC | AB18 |
| NC | AB19 |
| NC | AB20 |
| NC | AB8 |
| NC | AB9 |
| NC | AC1 |
| NC | AC13 |
| NC | AC14 |
| NC | AC25 |
| NC | AD1 |
| NC | AD11 |
| NC | AD16 |
| NC | AD25 |
| NC | AE1 |
| NC | AF2 |
| NC | AF25 |
| NC | B11 |
| NC | B24 |
| NC | B4 |
| NC | C16 |

| FG676 | |
|----------------|------------|
| AX500 Function | Pin Number |
| NC | C4 |
| NC | D1 |
| NC | D13 |
| NC | D14 |
| NC | D17 |
| NC | D18 |
| NC | D2 |
| NC | D26 |
| NC | D3 |
| NC | D9 |
| NC | E1 |
| NC | E18 |
| NC | E23 |
| NC | E24 |
| NC | E26 |
| NC | E3 |
| NC | E4 |
| NC | E9 |
| NC | F1 |
| NC | F18 |
| NC | F20 |
| NC | F21 |
| NC | F22 |
| NC | F23 |
| NC | F24 |
| NC | F4 |
| NC | F6 |
| NC | F7 |
| NC | G21 |
| NC | G22 |
| NC | H21 |
| NC | H22 |
| NC | H23 |
| NC | H5 |
| NC | H6 |

| FG676 | |
|----------------|------------|
| AX500 Function | Pin Number |
| NC | J5 |
| NC | J6 |
| NC | P22 |
| NC | R20 |
| NC | R21 |
| NC | R22 |
| NC | R4 |
| NC | R5 |
| NC | T22 |
| NC | T24 |
| NC | U22 |
| NC | U24 |
| NC | V22 |
| NC | V5 |
| NC | W21 |
| NC | W22 |
| NC | W5 |
| NC | W6 |
| NC | Y21 |
| NC | Y4 |
| NC | Y5 |
| NC | Y6 |
| PRA | E13 |
| PRB | B14 |
| PRC | Y14 |
| PRD | AD14 |
| TCK | E5 |
| TDI | B3 |
| TDO | G6 |
| TMS | D4 |
| TRST | A2 |
| VCCA | AB4 |
| VCCA | AF24 |
| VCCA | C1 |
| VCCA | C26 |

| FG676 | |
|----------------|------------|
| AX500 Function | Pin Number |
| VCCA | J10 |
| VCCA | J11 |
| VCCA | J12 |
| VCCA | J13 |
| VCCA | J14 |
| VCCA | J15 |
| VCCA | J16 |
| VCCA | J17 |
| VCCA | K18 |
| VCCA | K9 |
| VCCA | L18 |
| VCCA | L9 |
| VCCA | M18 |
| VCCA | M9 |
| VCCA | N18 |
| VCCA | N9 |
| VCCA | P18 |
| VCCA | P9 |
| VCCA | R18 |
| VCCA | R9 |
| VCCA | T18 |
| VCCA | T9 |
| VCCA | U18 |
| VCCA | U9 |
| VCCA | V10 |
| VCCA | V11 |
| VCCA | V12 |
| VCCA | V13 |
| VCCA | V14 |
| VCCA | V15 |
| VCCA | V16 |
| VCCA | V17 |
| VCCDA | A3 |
| VCCDA | AB22 |
| VCCDA | AB5 |

| FG676 | |
|----------------|------------|
| AX500 Function | Pin Number |
| VCCDA | AD10 |
| VCCDA | AD13 |
| VCCDA | AD17 |
| VCCDA | B1 |
| VCCDA | B17 |
| VCCDA | D24 |
| VCCDA | E14 |
| VCCDA | P2 |
| VCCDA | P23 |
| VCCIB0 | G10 |
| VCCIB0 | G8 |
| VCCIB0 | G9 |
| VCCIB0 | H10 |
| VCCIB0 | H11 |
| VCCIB0 | H12 |
| VCCIB0 | H13 |
| VCCIB0 | H9 |
| VCCIB1 | G17 |
| VCCIB1 | G18 |
| VCCIB1 | G19 |
| VCCIB1 | H14 |
| VCCIB1 | H15 |
| VCCIB1 | H16 |
| VCCIB1 | H17 |
| VCCIB1 | H18 |
| VCCIB2 | H20 |
| VCCIB2 | J19 |
| VCCIB2 | J20 |
| VCCIB2 | K19 |
| VCCIB2 | K20 |
| VCCIB2 | L19 |
| VCCIB2 | M19 |
| VCCIB2 | N19 |
| VCCIB3 | P19 |
| VCCIB3 | R19 |

| FG676 | |
|----------------|------------|
| AX500 Function | Pin Number |
| VCCIB3 | T19 |
| VCCIB3 | U19 |
| VCCIB3 | U20 |
| VCCIB3 | V19 |
| VCCIB3 | V20 |
| VCCIB3 | W20 |
| VCCIB4 | W14 |
| VCCIB4 | W15 |
| VCCIB4 | W16 |
| VCCIB4 | W17 |
| VCCIB4 | W18 |
| VCCIB4 | Y17 |
| VCCIB4 | Y18 |
| VCCIB4 | Y19 |
| VCCIB5 | W10 |
| VCCIB5 | W11 |
| VCCIB5 | W12 |
| VCCIB5 | W13 |
| VCCIB5 | W9 |
| VCCIB5 | Y10 |
| VCCIB5 | Y8 |
| VCCIB5 | Y9 |
| VCCIB6 | P8 |
| VCCIB6 | R8 |
| VCCIB6 | T8 |
| VCCIB6 | U7 |
| VCCIB6 | U8 |
| VCCIB6 | V7 |
| VCCIB6 | V8 |
| VCCIB6 | W7 |
| VCCIB7 | H7 |
| VCCIB7 | J7 |
| VCCIB7 | J8 |
| VCCIB7 | K7 |
| VCCIB7 | K8 |

| FG676 | |
|----------------|------------|
| AX500 Function | Pin Number |
| VCCIB7 | L8 |
| VCCIB7 | M8 |
| VCCIB7 | N8 |
| VCCPLA | E12 |
| VCCPLB | F13 |
| VCCPLC | E15 |
| VCCPLD | G14 |
| VCCPLE | AF15 |
| VCCPLF | AA14 |
| VCCPLG | AF12 |
| VCCPLH | AB13 |
| VCOMPLA | D12 |
| VCOMPLB | G13 |
| VCOMPLC | D15 |
| VCOMPLD | F14 |
| VCOMPLE | AD15 |
| VCOMPLF | AB14 |
| VCOMPLG | AD12 |
| VCOMPLH | Y13 |
| VPUMP | E22 |

| FG676 | |
|-----------------|------------|
| AX1000 Function | Pin Number |
| Bank 0 | |
| IO00NB0F0 | B4 |
| IO00PB0F0 | C4 |
| IO02NB0F0 | E7 |
| IO02PB0F0 | E6 |
| IO03NB0F0 | D6 |
| IO03PB0F0 | D5 |
| IO04NB0F0 | B5 |
| IO04PB0F0 | C5 |
| IO05NB0F0 | A5 |
| IO05PB0F0 | A4 |
| IO06NB0F0 | F7 |
| IO06PB0F0 | F6 |
| IO07NB0F0 | B6 |
| IO07PB0F0 | C6 |
| IO08NB0F0 | C7 |
| IO08PB0F0 | D7 |
| IO10NB0F0 | F8 |
| IO10PB0F0 | E8 |
| IO11NB0F0 | A7 |
| IO11PB0F0 | A6 |
| IO12NB0F1 | C8 |
| IO12PB0F1 | D8 |
| IO13NB0F1 | B8 |
| IO13PB0F1 | B7 |
| IO14NB0F1 | D9 |
| IO14PB0F1 | E9 |
| IO16NB0F1 | F10 |
| IO16PB0F1 | F9 |
| IO18NB0F1 | B9 |
| IO18PB0F1 | C9 |
| IO19NB0F1 | A10 |
| IO19PB0F1 | A9 |
| IO20NB0F1 | D10 |
| IO20PB0F1 | E10 |
| IO21NB0F1 | B10 |

| FG676 | |
|------------------|------------|
| AX1000 Function | Pin Number |
| IO21PB0F1 | C10 |
| IO22NB0F2 | F11 |
| IO22PB0F2 | G11 |
| IO24NB0F2 | D11 |
| IO24PB0F2 | E11 |
| IO26NB0F2 | C12 |
| IO26PB0F2 | C11 |
| IO28NB0F2 | F12 |
| IO28PB0F2 | G12 |
| IO30NB0F2/HCLKAN | A12 |
| IO30PB0F2/HCLKAP | B12 |
| IO31NB0F2/HCLKBN | C13 |
| IO31PB0F2/HCLKBP | B13 |
| Bank 1 | |
| IO32NB1F3/HCLKCN | C15 |
| IO32PB1F3/HCLKCP | C14 |
| IO33NB1F3/HCLKDN | A15 |
| IO33PB1F3/HCLKDP | B15 |
| IO35NB1F3 | B16 |
| IO35PB1F3 | A16 |
| IO36NB1F3 | F15 |
| IO36PB1F3 | G15 |
| IO38NB1F3 | F16 |
| IO38PB1F3 | G16 |
| IO40NB1F3 | A18 |
| IO40PB1F3 | A17 |
| IO41NB1F4 | C18 |
| IO41PB1F4 | C17 |
| IO42NB1F4 | D16 |
| IO42PB1F4 | E16 |
| IO44NB1F4 | D18 |
| IO44PB1F4 | D17 |
| IO45NB1F4 | B19 |
| IO45PB1F4 | B18 |
| IO46NB1F4 | B20 |
| IO46PB1F4 | A20 |

| FG676 | |
|-----------------|------------|
| AX1000 Function | Pin Number |
| IO48NB1F4 | F17 |
| IO48PB1F4 | E17 |
| IO49NB1F4 | A22 |
| IO49PB1F4 | A21 |
| IO50NB1F4 | E18 |
| IO50PB1F4 | F18 |
| IO51NB1F4 | D19 |
| IO51PB1F4 | C19 |
| IO52NB1F4 | D20 |
| IO52PB1F4 | C20 |
| IO54NB1F5 | B22 |
| IO54PB1F5 | B21 |
| IO55NB1F5 | D21 |
| IO55PB1F5 | C21 |
| IO56NB1F5 | F19 |
| IO56PB1F5 | E19 |
| IO57NB1F5 | B23 |
| IO57PB1F5 | A23 |
| IO58NB1F5 | D22 |
| IO58PB1F5 | C22 |
| IO59NB1F5 | B24 |
| IO59PB1F5 | A24 |
| IO60NB1F5 | E21 |
| IO60PB1F5 | E20 |
| IO62NB1F5 | D23 |
| IO62PB1F5 | C23 |
| IO63NB1F5 | F21 |
| IO63PB1F5 | F20 |
| Bank 2 | |
| IO64NB2F6 | H21 |
| IO64PB2F6 | G21 |
| IO65NB2F6 | G22 |
| IO65PB2F6 | F22 |
| IO66NB2F6 | F24 |
| IO66PB2F6 | F23 |
| IO67NB2F6 | E24 |

| FG676 | |
|-----------------|------------|
| AX1000 Function | Pin Number |
| IO67PB2F6 | E23 |
| IO68NB2F6 | H23 |
| IO68PB2F6 | H22 |
| IO69NB2F6 | D25 |
| IO69PB2F6 | C25 |
| IO70NB2F6 | G24 |
| IO70PB2F6 | G23 |
| IO71NB2F6 | F25 |
| IO71PB2F6 | E25 |
| IO72NB2F6 | G26 |
| IO72PB2F6 | F26 |
| IO73NB2F6 | E26 |
| IO73PB2F6 | D26 |
| IO74NB2F7 | J21 |
| IO74PB2F7 | J22 |
| IO75NB2F7 | J24 |
| IO75PB2F7 | H24 |
| IO76NB2F7 | K23 |
| IO76PB2F7 | J23 |
| IO77NB2F7 | H25 |
| IO77PB2F7 | G25 |
| IO78NB2F7 | K25 |
| IO78PB2F7 | J25 |
| IO80NB2F7 | K21 |
| IO80PB2F7 | K22 |
| IO81NB2F7 | K26 |
| IO81PB2F7 | J26 |
| IO82NB2F7 | L24 |
| IO82PB2F7 | K24 |
| IO83NB2F7 | L23 |
| IO83PB2F7 | L22 |
| IO84NB2F7 | L20 |
| IO84PB2F7 | L21 |
| IO86NB2F8 | L26 |
| IO86PB2F8 | L25 |
| IO88NB2F8 | M23 |

| FG676 | |
|-----------------|------------|
| AX1000 Function | Pin Number |
| IO88PB2F8 | M22 |
| IO89NB2F8 | M26 |
| IO89PB2F8 | M25 |
| IO90NB2F8 | M20 |
| IO90PB2F8 | M21 |
| IO91NB2F8 | N24 |
| IO91PB2F8 | M24 |
| IO92NB2F8 | N22 |
| IO92PB2F8 | N23 |
| IO94NB2F8 | N20 |
| IO94PB2F8 | N21 |
| IO95NB2F8 | P25 |
| IO95PB2F8 | N25 |
| Bank 3 | |
| IO98NB3F9 | P20 |
| IO98PB3F9 | P21 |
| IO99NB3F9 | R24 |
| IO99PB3F9 | P24 |
| IO100NB3F9 | R22 |
| IO100PB3F9 | P22 |
| IO101NB3F9 | T26 |
| IO101PB3F9 | R26 |
| IO102NB3F9 | R21 |
| IO102PB3F9 | R20 |
| IO103NB3F9 | T25 |
| IO103PB3F9 | R25 |
| IO105NB3F9 | V26 |
| IO105PB3F9 | U26 |
| IO106NB3F9 | T23 |
| IO106PB3F9 | R23 |
| IO107NB3F10 | U24 |
| IO107PB3F10 | T24 |
| IO108NB3F10 | U22 |
| IO108PB3F10 | T22 |
| IO109NB3F10 | V25 |
| IO109PB3F10 | U25 |

| FG676 | |
|-----------------|------------|
| AX1000 Function | Pin Number |
| IO110NB3F10 | T21 |
| IO110PB3F10 | T20 |
| IO112NB3F10 | V23 |
| IO112PB3F10 | U23 |
| IO113NB3F10 | Y25 |
| IO113PB3F10 | W25 |
| IO114NB3F10 | V21 |
| IO114PB3F10 | U21 |
| IO115NB3F10 | W24 |
| IO115PB3F10 | V24 |
| IO116NB3F10 | AA26 |
| IO116PB3F10 | Y26 |
| IO118NB3F11 | AC26 |
| IO118PB3F11 | AB26 |
| IO119NB3F11 | AB25 |
| IO119PB3F11 | AA25 |
| IO120NB3F11 | W22 |
| IO120PB3F11 | V22 |
| IO121NB3F11 | Y23 |
| IO121PB3F11 | W23 |
| IO122NB3F11 | AA24 |
| IO122PB3F11 | Y24 |
| IO123NB3F11 | AE26 |
| IO123PB3F11 | AD26 |
| IO124NB3F11 | Y21 |
| IO124PB3F11 | W21 |
| IO125NB3F11 | AD25 |
| IO125PB3F11 | AC25 |
| IO126NB3F11 | AB23 |
| IO126PB3F11 | AA23 |
| IO127NB3F11 | AC24 |
| IO127PB3F11 | AB24 |
| IO128NB3F11 | AA22 |
| IO128PB3F11 | Y22 |
| Bank 4 | |
| IO129NB4F12 | AB21 |

| FG676 | |
|-----------------|------------|
| AX1000 Function | Pin Number |
| IO129PB4F12 | AA21 |
| IO131NB4F12 | AD22 |
| IO131PB4F12 | AD23 |
| IO132NB4F12 | AE23 |
| IO132PB4F12 | AE24 |
| IO133NB4F12 | AB20 |
| IO133PB4F12 | AA20 |
| IO134NB4F12 | AC21 |
| IO134PB4F12 | AC22 |
| IO135NB4F12 | AF22 |
| IO135PB4F12 | AF23 |
| IO137NB4F12 | AB19 |
| IO137PB4F12 | AA19 |
| IO139NB4F13 | AC19 |
| IO139PB4F13 | AC20 |
| IO140NB4F13 | AE21 |
| IO140PB4F13 | AE22 |
| IO141NB4F13 | AD20 |
| IO141PB4F13 | AD21 |
| IO143NB4F13 | AB17 |
| IO143PB4F13 | AB18 |
| IO144NB4F13 | AE19 |
| IO144PB4F13 | AE20 |
| IO145NB4F13 | AC17 |
| IO145PB4F13 | AC18 |
| IO146NB4F13 | AD18 |
| IO146PB4F13 | AD19 |
| IO147NB4F13 | AA17 |
| IO147PB4F13 | AA18 |
| IO148NB4F13 | AF20 |
| IO148PB4F13 | AF21 |
| IO149NB4F13 | AA16 |
| IO149PB4F13 | Y16 |
| IO151NB4F13 | AC16 |
| IO151PB4F13 | AB16 |
| IO153NB4F14 | AE17 |

| FG676 | |
|-------------------|------------|
| AX1000 Function | Pin Number |
| IO153PB4F14 | AE18 |
| IO154NB4F14 | AF17 |
| IO154PB4F14 | AF18 |
| IO155NB4F14 | AA15 |
| IO155PB4F14 | Y15 |
| IO157NB4F14 | AC15 |
| IO157PB4F14 | AB15 |
| IO159NB4F14/CLKEN | AE16 |
| IO159PB4F14/CLKEP | AF16 |
| IO160NB4F14/CLKFN | AE14 |
| IO160PB4F14/CLKFP | AE15 |
| Bank 5 | |
| IO161NB5F15/CLKGN | AE12 |
| IO161PB5F15/CLKGP | AE13 |
| IO162NB5F15/CLKHN | AE11 |
| IO162PB5F15/CLKHP | AF11 |
| IO163NB5F15 | AC12 |
| IO163PB5F15 | AB12 |
| IO165NB5F15 | Y12 |
| IO165PB5F15 | AA13 |
| IO167NB5F15 | Y11 |
| IO167PB5F15 | AA12 |
| IO168NB5F15 | AF9 |
| IO168PB5F15 | AF10 |
| IO169NB5F15 | AB11 |
| IO169PB5F15 | AA11 |
| IO171NB5F16 | AE9 |
| IO171PB5F16 | AE10 |
| IO173NB5F16 | AC10 |
| IO173PB5F16 | AC11 |
| IO174NB5F16 | AE7 |
| IO174PB5F16 | AE8 |
| IO175NB5F16 | AC9 |
| IO175PB5F16 | AD9 |
| IO176NB5F16 | AF6 |
| IO176PB5F16 | AF7 |

| FG676 | |
|-----------------|------------|
| AX1000 Function | Pin Number |
| IO177NB5F16 | AA10 |
| IO177PB5F16 | AB10 |
| IO179NB5F16 | AD7 |
| IO179PB5F16 | AD8 |
| IO180NB5F16 | AC7 |
| IO180PB5F16 | AC8 |
| IO181NB5F17 | AA9 |
| IO181PB5F17 | AB9 |
| IO183NB5F17 | AD6 |
| IO183PB5F17 | AE6 |
| IO184NB5F17 | AE5 |
| IO184PB5F17 | AF5 |
| IO185NB5F17 | AA8 |
| IO185PB5F17 | AB8 |
| IO187NB5F17 | AC5 |
| IO187PB5F17 | AC6 |
| IO188NB5F17 | AD4 |
| IO188PB5F17 | AD5 |
| IO189NB5F17 | AB6 |
| IO189PB5F17 | AB7 |
| IO190NB5F17 | AF4 |
| IO190PB5F17 | AE4 |
| IO191NB5F17 | AE3 |
| IO191PB5F17 | AF3 |
| IO192NB5F17 | AA6 |
| IO192PB5F17 | AA7 |
| Bank 6 | |
| IO193NB6F18 | Y5 |
| IO193PB6F18 | AA5 |
| IO194NB6F18 | AB3 |
| IO194PB6F18 | AC3 |
| IO195NB6F18 | Y4 |
| IO195PB6F18 | AA4 |
| IO196NB6F18 | AC2 |
| IO196PB6F18 | AD2 |
| IO197NB6F18 | W6 |

| FG676 | |
|-----------------|------------|
| AX1000 Function | Pin Number |
| IO197PB6F18 | Y6 |
| IO198NB6F18 | AD1 |
| IO198PB6F18 | AE1 |
| IO199NB6F18 | AA2 |
| IO199PB6F18 | AB2 |
| IO200NB6F18 | Y3 |
| IO200PB6F18 | AA3 |
| IO201NB6F18 | V5 |
| IO201PB6F18 | W5 |
| IO202NB6F18 | AB1 |
| IO202PB6F18 | AC1 |
| IO203NB6F19 | V4 |
| IO203PB6F19 | W4 |
| IO204NB6F19 | V3 |
| IO204PB6F19 | W3 |
| IO205NB6F19 | U6 |
| IO205PB6F19 | V6 |
| IO206NB6F19 | W2 |
| IO206PB6F19 | Y2 |
| IO207NB6F19 | U4 |
| IO207PB6F19 | U5 |
| IO208NB6F19 | Y1 |
| IO208PB6F19 | AA1 |
| IO209NB6F19 | T6 |
| IO209PB6F19 | T7 |
| IO211NB6F19 | T3 |
| IO211PB6F19 | U3 |
| IO212NB6F19 | V1 |
| IO212PB6F19 | V2 |
| IO213NB6F19 | T5 |
| IO213PB6F19 | T4 |
| IO214NB6F20 | U1 |
| IO214PB6F20 | U2 |
| IO215NB6F20 | R6 |
| IO215PB6F20 | R7 |
| IO217NB6F20 | R5 |

| FG676 | |
|-----------------|------------|
| AX1000 Function | Pin Number |
| IO217PB6F20 | R4 |
| IO218NB6F20 | R2 |
| IO218PB6F20 | T2 |
| IO219NB6F20 | P3 |
| IO219PB6F20 | R3 |
| IO220NB6F20 | R1 |
| IO220PB6F20 | T1 |
| IO221NB6F20 | P6 |
| IO221PB6F20 | P7 |
| IO223NB6F20 | P5 |
| IO223PB6F20 | P4 |
| Bank 7 | |
| IO225NB7F21 | N5 |
| IO225PB7F21 | N4 |
| IO226NB7F21 | N2 |
| IO226PB7F21 | N3 |
| IO227NB7F21 | N6 |
| IO227PB7F21 | N7 |
| IO229NB7F21 | M7 |
| IO229PB7F21 | M6 |
| IO231NB7F21 | M5 |
| IO231PB7F21 | M4 |
| IO232NB7F21 | L1 |
| IO232PB7F21 | M1 |
| IO233NB7F21 | M2 |
| IO233PB7F21 | M3 |
| IO235NB7F21 | K2 |
| IO235PB7F21 | L2 |
| IO236NB7F22 | L5 |
| IO236PB7F22 | L4 |
| IO237NB7F22 | L6 |
| IO237PB7F22 | L7 |
| IO238NB7F22 | K3 |
| IO238PB7F22 | L3 |
| IO240NB7F22 | J1 |
| IO240PB7F22 | K1 |

| FG676 | |
|----------------------|------------|
| AX1000 Function | Pin Number |
| IO241NB7F22 | K6 |
| IO241PB7F22 | K5 |
| IO242NB7F22 | H2 |
| IO242PB7F22 | J2 |
| IO243NB7F22 | J4 |
| IO243PB7F22 | K4 |
| IO244NB7F22 | H3 |
| IO244PB7F22 | J3 |
| IO245NB7F22 | G2 |
| IO245PB7F22 | G1 |
| IO247NB7F23 | J6 |
| IO247PB7F23 | J5 |
| IO248NB7F23 | E1 |
| IO248PB7F23 | F1 |
| IO249NB7F23 | E2 |
| IO249PB7F23 | F2 |
| IO250NB7F23 | G4 |
| IO250PB7F23 | H4 |
| IO251NB7F23 | F3 |
| IO251PB7F23 | G3 |
| IO253NB7F23 | H6 |
| IO253PB7F23 | H5 |
| IO254NB7F23 | D2 |
| IO254PB7F23 | D1 |
| IO255NB7F23 | E4 |
| IO255PB7F23 | F4 |
| IO256NB7F23 | D3 |
| IO256PB7F23 | E3 |
| IO257NB7F23 | F5 |
| IO257PB7F23 | G5 |
| Dedicated I/O | |
| GND | A1 |
| GND | A13 |
| GND | A14 |
| GND | A19 |
| GND | A26 |

| FG676 | |
|-----------------|------------|
| AX1000 Function | Pin Number |
| GND | A8 |
| GND | AC23 |
| GND | AC4 |
| GND | AD24 |
| GND | AD3 |
| GND | AE2 |
| GND | AE25 |
| GND | AF1 |
| GND | AF13 |
| GND | AF14 |
| GND | AF19 |
| GND | AF26 |
| GND | AF8 |
| GND | B2 |
| GND | B25 |
| GND | B26 |
| GND | C24 |
| GND | C3 |
| GND | G20 |
| GND | G7 |
| GND | H1 |
| GND | H19 |
| GND | H26 |
| GND | H8 |
| GND | J18 |
| GND | J9 |
| GND | K10 |
| GND | K11 |
| GND | K12 |
| GND | K13 |
| GND | K14 |
| GND | K15 |
| GND | K16 |
| GND | K17 |
| GND | L10 |
| GND | L11 |

| FG676 | |
|-----------------|------------|
| AX1000 Function | Pin Number |
| GND | L12 |
| GND | L13 |
| GND | L14 |
| GND | L15 |
| GND | L16 |
| GND | L17 |
| GND | M10 |
| GND | M11 |
| GND | M12 |
| GND | M13 |
| GND | M14 |
| GND | M15 |
| GND | M16 |
| GND | M17 |
| GND | N1 |
| GND | N10 |
| GND | N11 |
| GND | N12 |
| GND | N13 |
| GND | N14 |
| GND | N15 |
| GND | N16 |
| GND | N17 |
| GND | N26 |
| GND | P1 |
| GND | P10 |
| GND | P11 |
| GND | P12 |
| GND | P13 |
| GND | P14 |
| GND | P15 |
| GND | P16 |
| GND | P17 |
| GND | P26 |
| GND | R10 |
| GND | R11 |

| FG676 | |
|-----------------|------------|
| AX1000 Function | Pin Number |
| GND | R12 |
| GND | R13 |
| GND | R14 |
| GND | R15 |
| GND | R16 |
| GND | R17 |
| GND | T10 |
| GND | T11 |
| GND | T12 |
| GND | T13 |
| GND | T14 |
| GND | T15 |
| GND | T16 |
| GND | T17 |
| GND | U10 |
| GND | U11 |
| GND | U12 |
| GND | U13 |
| GND | U14 |
| GND | U15 |
| GND | U16 |
| GND | U17 |
| GND | V18 |
| GND | V9 |
| GND | W1 |
| GND | W19 |
| GND | W26 |
| GND | W8 |
| GND | Y20 |
| GND | Y7 |
| GND/LP | C2 |
| NC | A25 |
| NC | AC13 |
| NC | AC14 |
| NC | AF2 |
| NC | AF25 |

| FG676 | |
|-----------------|------------|
| AX1000 Function | Pin Number |
| NC | D13 |
| NC | D14 |
| PRA | E13 |
| PRB | B14 |
| PRC | Y14 |
| PRD | AD14 |
| TCK | E5 |
| TDI | B3 |
| TDO | G6 |
| TMS | D4 |
| TRST | A2 |
| VCCA | AB4 |
| VCCA | AF24 |
| VCCA | C1 |
| VCCA | C26 |
| VCCA | J10 |
| VCCA | J11 |
| VCCA | J12 |
| VCCA | J13 |
| VCCA | J14 |
| VCCA | J15 |
| VCCA | J16 |
| VCCA | J17 |
| VCCA | K18 |
| VCCA | K9 |
| VCCA | L18 |
| VCCA | L9 |
| VCCA | M18 |
| VCCA | M9 |
| VCCA | N18 |
| VCCA | N9 |
| VCCA | P18 |
| VCCA | P9 |
| VCCA | R18 |
| VCCA | R9 |
| VCCA | T18 |

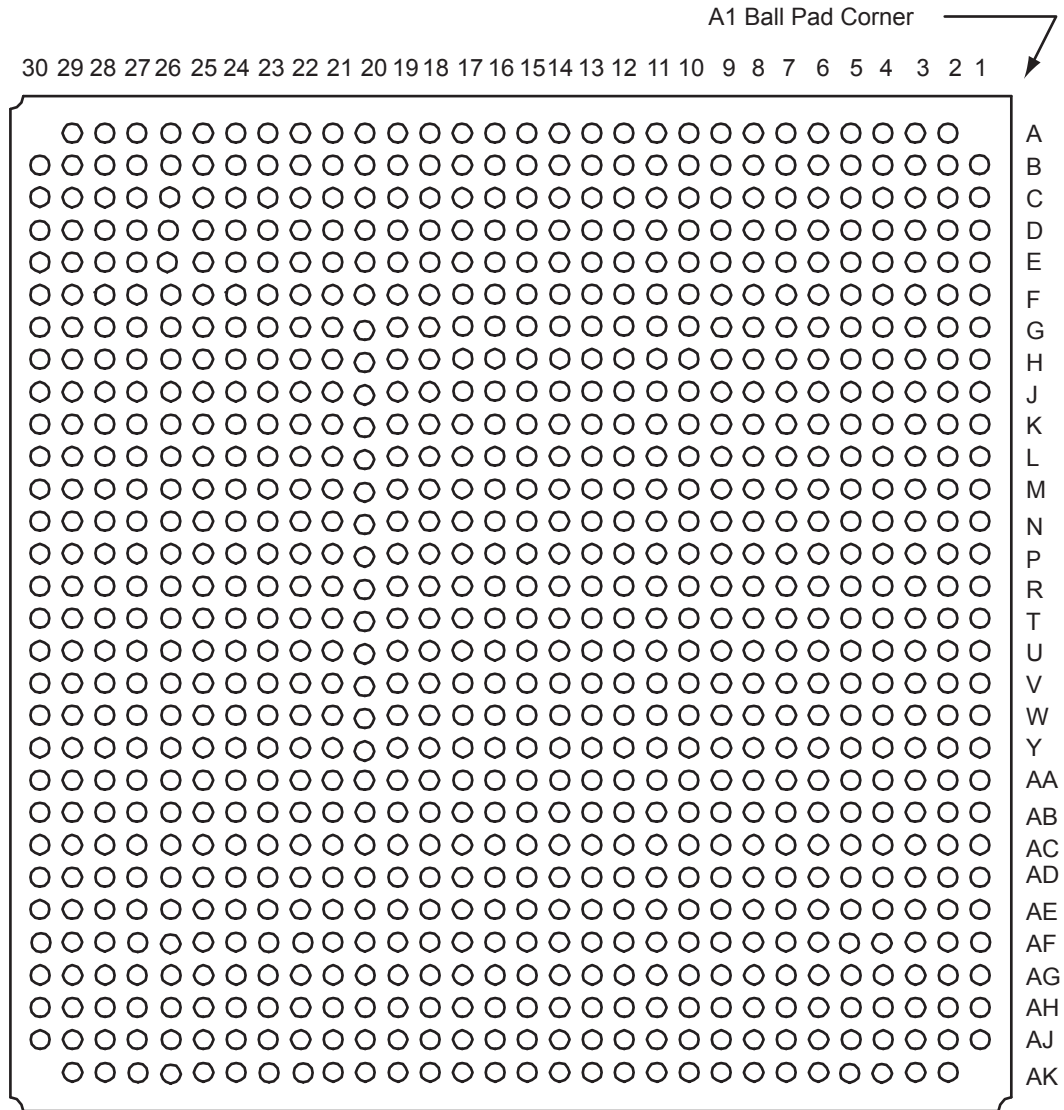
| FG676 | |
|-----------------|------------|
| AX1000 Function | Pin Number |
| VCCA | T9 |
| VCCA | U18 |
| VCCA | U9 |
| VCCA | V10 |
| VCCA | V11 |
| VCCA | V12 |
| VCCA | V13 |
| VCCA | V14 |
| VCCA | V15 |
| VCCA | V16 |
| VCCA | V17 |
| VCCPLA | E12 |
| VCCPLB | F13 |
| VCCPLC | E15 |
| VCCPLD | G14 |
| VCCPLE | AF15 |
| VCCPLF | AA14 |
| VCCPLG | AF12 |
| VCCPLH | AB13 |
| VCCDA | A11 |
| VCCDA | A3 |
| VCCDA | AB22 |
| VCCDA | AB5 |
| VCCDA | AD10 |
| VCCDA | AD11 |
| VCCDA | AD13 |
| VCCDA | AD16 |
| VCCDA | AD17 |
| VCCDA | B1 |
| VCCDA | B11 |
| VCCDA | B17 |
| VCCDA | C16 |
| VCCDA | D24 |
| VCCDA | E14 |
| VCCDA | P2 |
| VCCDA | P23 |

| FG676 | |
|-----------------|------------|
| AX1000 Function | Pin Number |
| VCCIB0 | G10 |
| VCCIB0 | G8 |
| VCCIB0 | G9 |
| VCCIB0 | H10 |
| VCCIB0 | H11 |
| VCCIB0 | H12 |
| VCCIB0 | H13 |
| VCCIB0 | H9 |
| VCCIB1 | G17 |
| VCCIB1 | G18 |
| VCCIB1 | G19 |
| VCCIB1 | H14 |
| VCCIB1 | H15 |
| VCCIB1 | H16 |
| VCCIB1 | H17 |
| VCCIB1 | H18 |
| VCCIB2 | H20 |
| VCCIB2 | J19 |
| VCCIB2 | J20 |
| VCCIB2 | K19 |
| VCCIB2 | K20 |
| VCCIB2 | L19 |
| VCCIB2 | M19 |
| VCCIB2 | N19 |
| VCCIB3 | P19 |
| VCCIB3 | R19 |
| VCCIB3 | T19 |
| VCCIB3 | U19 |
| VCCIB3 | U20 |
| VCCIB3 | V19 |
| VCCIB3 | V20 |
| VCCIB3 | W20 |
| VCCIB4 | W14 |
| VCCIB4 | W15 |
| VCCIB4 | W16 |
| VCCIB4 | W17 |

| FG676 | |
|-----------------|------------|
| AX1000 Function | Pin Number |
| VCCIB4 | W18 |
| VCCIB4 | Y17 |
| VCCIB4 | Y18 |
| VCCIB4 | Y19 |
| VCCIB5 | W10 |
| VCCIB5 | W11 |
| VCCIB5 | W12 |
| VCCIB5 | W13 |
| VCCIB5 | W9 |
| VCCIB5 | Y10 |
| VCCIB5 | Y8 |
| VCCIB5 | Y9 |
| VCCIB6 | P8 |
| VCCIB6 | R8 |
| VCCIB6 | T8 |
| VCCIB6 | U7 |
| VCCIB6 | U8 |
| VCCIB6 | V7 |
| VCCIB6 | V8 |
| VCCIB6 | W7 |
| VCCIB7 | H7 |
| VCCIB7 | J7 |
| VCCIB7 | J8 |
| VCCIB7 | K7 |
| VCCIB7 | K8 |
| VCCIB7 | L8 |
| VCCIB7 | M8 |
| VCCIB7 | N8 |
| VCOMPLA | D12 |
| VCOMPLB | G13 |
| VCOMPLC | D15 |
| VCOMPLD | F14 |
| VCOMPLE | AD15 |
| VCOMPLF | AB14 |
| VCOMPLG | AD12 |

| FG676 | |
|-----------------|------------|
| AX1000 Function | Pin Number |
| VCOMPLH | Y13 |
| VPUMP | E22 |

FG896



Note

For Package Manufacturing and Environmental information, visit Resource center at <http://www.microsemi.com/soc/products/rescenter/package/index.html>.

| FG896 | |
|-----------------|------------|
| AX1000 Function | Pin Number |
| Bank 0 | |
| IO00NB0F0 | D6 |
| IO00PB0F0 | E6 |
| IO01NB0F0 | A5 |
| IO01PB0F0 | B5 |
| IO02NB0F0 | G9 |
| IO02PB0F0 | G8 |
| IO03NB0F0 | F8 |
| IO03PB0F0 | F7 |
| IO04NB0F0 | D7 |
| IO04PB0F0 | E7 |
| IO05NB0F0 | C7 |
| IO05PB0F0 | C6 |
| IO06NB0F0 | H9 |
| IO06PB0F0 | H8 |
| IO07NB0F0 | D8 |
| IO07PB0F0 | E8 |
| IO08NB0F0 | E9 |
| IO08PB0F0 | F9 |
| IO09NB0F0 | A7 |
| IO09PB0F0 | B7 |
| IO10NB0F0 | H10 |
| IO10PB0F0 | G10 |
| IO11NB0F0 | C9 |
| IO11PB0F0 | C8 |
| IO12NB0F1 | E10 |
| IO12PB0F1 | F10 |
| IO13NB0F1 | D10 |
| IO13PB0F1 | D9 |
| IO14NB0F1 | F11 |
| IO14PB0F1 | G11 |
| IO15NB0F1 | A10 |
| IO15PB0F1 | A9 |
| IO16NB0F1 | H12 |
| IO16PB0F1 | H11 |

| FG896 | |
|------------------|------------|
| AX1000 Function | Pin Number |
| IO17NB0F1 | B11 |
| IO17PB0F1 | B10 |
| IO18NB0F1 | D11 |
| IO18PB0F1 | E11 |
| IO19NB0F1 | C12 |
| IO19PB0F1 | C11 |
| IO20NB0F1 | F12 |
| IO20PB0F1 | G12 |
| IO21NB0F1 | D12 |
| IO21PB0F1 | E12 |
| IO22NB0F2 | H13 |
| IO22PB0F2 | J13 |
| IO23NB0F2 | A12 |
| IO23PB0F2 | A11 |
| IO24NB0F2 | F13 |
| IO24PB0F2 | G13 |
| IO25NB0F2 | B13 |
| IO25PB0F2 | B12 |
| IO26NB0F2 | E14 |
| IO26PB0F2 | E13 |
| IO27NB0F2 | B14 |
| IO27PB0F2 | A14 |
| IO28NB0F2 | H14 |
| IO28PB0F2 | J14 |
| IO29NB0F2 | B15 |
| IO29PB0F2 | A15 |
| IO30NB0F2/HCLKAN | C14 |
| IO30PB0F2/HCLKAP | D14 |
| IO31NB0F2/HCLKBN | E15 |
| IO31PB0F2/HCLKBP | D15 |
| Bank 1 | |
| IO32NB1F3/HCLKCN | E17 |
| IO32PB1F3/HCLKCP | E16 |
| IO33NB1F3/HCLKDN | C17 |
| IO33PB1F3/HCLKDP | D17 |

| FG896 | |
|-----------------|------------|
| AX1000 Function | Pin Number |
| IO34NB1F3 | A17 |
| IO34PB1F3 | B17 |
| IO35NB1F3 | D18 |
| IO35PB1F3 | C18 |
| IO36NB1F3 | H17 |
| IO36PB1F3 | J17 |
| IO37NB1F3 | B19 |
| IO37PB1F3 | A19 |
| IO38NB1F3 | H18 |
| IO38PB1F3 | J18 |
| IO39NB1F3 | B20 |
| IO39PB1F3 | A20 |
| IO40NB1F3 | C20 |
| IO40PB1F3 | C19 |
| IO41NB1F4 | E20 |
| IO41PB1F4 | E19 |
| IO42NB1F4 | F18 |
| IO42PB1F4 | G18 |
| IO43NB1F4 | A22 |
| IO43PB1F4 | A21 |
| IO44NB1F4 | F20 |
| IO44PB1F4 | F19 |
| IO45NB1F4 | D21 |
| IO45PB1F4 | D20 |
| IO46NB1F4 | D22 |
| IO46PB1F4 | C22 |
| IO47NB1F4 | A25 |
| IO47PB1F4 | A24 |
| IO48NB1F4 | H19 |
| IO48PB1F4 | G19 |
| IO49NB1F4 | C24 |
| IO49PB1F4 | C23 |
| IO50NB1F4 | G20 |
| IO50PB1F4 | H20 |
| IO51NB1F4 | F21 |

| FG896 | | FG896 | | FG896 | |
|-----------------|------------|-----------------|------------|-----------------|------------|
| AX1000 Function | Pin Number | AX1000 Function | Pin Number | AX1000 Function | Pin Number |
| IO51PB1F4 | E21 | IO68PB2F6 | K24 | IO86NB2F8 | N28 |
| IO52NB1F4 | F22 | IO69NB2F6 | F27 | IO86PB2F8 | N27 |
| IO52PB1F4 | E22 | IO69PB2F6 | E27 | IO87NB2F8 | P29 |
| IO53NB1F4 | B25 | IO70NB2F6 | J26 | IO87PB2F8 | P30 |
| IO53PB1F4 | B24 | IO70PB2F6 | J25 | IO88NB2F8 | P25 |
| IO54NB1F5 | D24 | IO71NB2F6 | H27 | IO88PB2F8 | P24 |
| IO54PB1F5 | D23 | IO71PB2F6 | G27 | IO89NB2F8 | P28 |
| IO55NB1F5 | F23 | IO72NB2F6 | J28 | IO89PB2F8 | P27 |
| IO55PB1F5 | E23 | IO72PB2F6 | H28 | IO90NB2F8 | P22 |
| IO56NB1F5 | H21 | IO73NB2F6 | G28 | IO90PB2F8 | P23 |
| IO56PB1F5 | G21 | IO73PB2F6 | F28 | IO91NB2F8 | R26 |
| IO57NB1F5 | D25 | IO74NB2F7 | L23 | IO91PB2F8 | P26 |
| IO57PB1F5 | C25 | IO74PB2F7 | L24 | IO92NB2F8 | R24 |
| IO58NB1F5 | F24 | IO75NB2F7 | L26 | IO92PB2F8 | R25 |
| IO58PB1F5 | E24 | IO75PB2F7 | K26 | IO93NB2F8 | R29 |
| IO59NB1F5 | D26 | IO76NB2F7 | M25 | IO93PB2F8 | R30 |
| IO59PB1F5 | C26 | IO76PB2F7 | L25 | IO94NB2F8 | R22 |
| IO60NB1F5 | G23 | IO77NB2F7 | K27 | IO94PB2F8 | R23 |
| IO60PB1F5 | G22 | IO77PB2F7 | J27 | IO95NB2F8 | T27 |
| IO61NB1F5 | B27 | IO78NB2F7 | M27 | IO95PB2F8 | R27 |
| IO61PB1F5 | A27 | IO78PB2F7 | L27 | Bank 3 | |
| IO62NB1F5 | F25 | IO79NB2F7 | K30 | IO96NB3F9 | T29 |
| IO62PB1F5 | E25 | IO79PB2F7 | K29 | IO96PB3F9 | T30 |
| IO63NB1F5 | H23 | IO80NB2F7 | M23 | IO97NB3F9 | U29 |
| IO63PB1F5 | H22 | IO80PB2F7 | M24 | IO97PB3F9 | U30 |
| Bank 2 | | IO81NB2F7 | M28 | IO98NB3F9 | T22 |
| IO64NB2F6 | K23 | IO81PB2F7 | L28 | IO98PB3F9 | T23 |
| IO64PB2F6 | J23 | IO82NB2F7 | N26 | IO99NB3F9 | U26 |
| IO65NB2F6 | J24 | IO82PB2F7 | M26 | IO99PB3F9 | T26 |
| IO65PB2F6 | H24 | IO83NB2F7 | N25 | IO100NB3F9 | U24 |
| IO66NB2F6 | H26 | IO83PB2F7 | N24 | IO100PB3F9 | T24 |
| IO66PB2F6 | H25 | IO84NB2F7 | N22 | IO101NB3F9 | V28 |
| IO67NB2F6 | G26 | IO84PB2F7 | N23 | IO101PB3F9 | U28 |
| IO67PB2F6 | G25 | IO85NB2F8 | M29 | IO102NB3F9 | U23 |
| IO68NB2F6 | K25 | IO85PB2F8 | L29 | IO102PB3F9 | U22 |

| FG896 | |
|-----------------|------------|
| AX1000 Function | Pin Number |
| IO103NB3F9 | V27 |
| IO103PB3F9 | U27 |
| IO104NB3F9 | W29 |
| IO104PB3F9 | V29 |
| IO105NB3F9 | Y28 |
| IO105PB3F9 | W28 |
| IO106NB3F9 | V25 |
| IO106PB3F9 | U25 |
| IO107NB3F10 | W26 |
| IO107PB3F10 | V26 |
| IO108NB3F10 | W24 |
| IO108PB3F10 | V24 |
| IO109NB3F10 | Y27 |
| IO109PB3F10 | W27 |
| IO110NB3F10 | V23 |
| IO110PB3F10 | V22 |
| IO111NB3F10 | AA29 |
| IO111PB3F10 | Y29 |
| IO112NB3F10 | Y25 |
| IO112PB3F10 | W25 |
| IO113NB3F10 | AB27 |
| IO113PB3F10 | AA27 |
| IO114NB3F10 | Y23 |
| IO114PB3F10 | W23 |
| IO115NB3F10 | AA26 |
| IO115PB3F10 | Y26 |
| IO116NB3F10 | AC28 |
| IO116PB3F10 | AB28 |
| IO117NB3F10 | AE29 |
| IO117PB3F10 | AD29 |
| IO118NB3F11 | AE28 |
| IO118PB3F11 | AD28 |
| IO119NB3F11 | AD27 |
| IO119PB3F11 | AC27 |
| IO120NB3F11 | AA24 |

| FG896 | |
|-----------------|------------|
| AX1000 Function | Pin Number |
| IO120PB3F11 | Y24 |
| IO121NB3F11 | AB25 |
| IO121PB3F11 | AA25 |
| IO122NB3F11 | AC26 |
| IO122PB3F11 | AB26 |
| IO123NB3F11 | AG28 |
| IO123PB3F11 | AF28 |
| IO124NB3F11 | AB23 |
| IO124PB3F11 | AA23 |
| IO125NB3F11 | AF27 |
| IO125PB3F11 | AE27 |
| IO126NB3F11 | AD25 |
| IO126PB3F11 | AC25 |
| IO127NB3F11 | AE26 |
| IO127PB3F11 | AD26 |
| IO128NB3F11 | AC24 |
| IO128PB3F11 | AB24 |
| Bank 4 | |
| IO129NB4F12 | AD23 |
| IO129PB4F12 | AC23 |
| IO130NB4F12 | AK26 |
| IO130PB4F12 | AK27 |
| IO131NB4F12 | AF24 |
| IO131PB4F12 | AF25 |
| IO132NB4F12 | AG25 |
| IO132PB4F12 | AG26 |
| IO133NB4F12 | AD22 |
| IO133PB4F12 | AC22 |
| IO134NB4F12 | AE23 |
| IO134PB4F12 | AE24 |
| IO135NB4F12 | AH24 |
| IO135PB4F12 | AH25 |
| IO136NB4F12 | AJ25 |
| IO136PB4F12 | AJ26 |
| IO137NB4F12 | AD21 |

| FG896 | |
|-----------------|------------|
| AX1000 Function | Pin Number |
| IO137PB4F12 | AC21 |
| IO138NB4F12 | AK24 |
| IO138PB4F12 | AK25 |
| IO139NB4F13 | AE21 |
| IO139PB4F13 | AE22 |
| IO140NB4F13 | AG23 |
| IO140PB4F13 | AG24 |
| IO141NB4F13 | AF22 |
| IO141PB4F13 | AF23 |
| IO142NB4F13 | AJ23 |
| IO142PB4F13 | AJ24 |
| IO143NB4F13 | AD19 |
| IO143PB4F13 | AD20 |
| IO144NB4F13 | AG21 |
| IO144PB4F13 | AG22 |
| IO145NB4F13 | AE19 |
| IO145PB4F13 | AE20 |
| IO146NB4F13 | AF20 |
| IO146PB4F13 | AF21 |
| IO147NB4F13 | AC19 |
| IO147PB4F13 | AC20 |
| IO148NB4F13 | AH22 |
| IO148PB4F13 | AH23 |
| IO149NB4F13 | AC18 |
| IO149PB4F13 | AB18 |
| IO150NB4F13 | AK21 |
| IO150PB4F13 | AJ21 |
| IO151NB4F13 | AE18 |
| IO151PB4F13 | AD18 |
| IO152NB4F14 | AJ20 |
| IO152PB4F14 | AK20 |
| IO153NB4F14 | AG19 |
| IO153PB4F14 | AG20 |
| IO154NB4F14 | AH19 |
| IO154PB4F14 | AH20 |

| FG896 | |
|-------------------|------------|
| AX1000 Function | Pin Number |
| IO155NB4F14 | AC17 |
| IO155PB4F14 | AB17 |
| IO156NB4F14 | AK19 |
| IO156PB4F14 | AJ19 |
| IO157NB4F14 | AE17 |
| IO157PB4F14 | AD17 |
| IO158NB4F14 | AJ17 |
| IO158PB4F14 | AJ18 |
| IO159NB4F14/CLKEN | AG18 |
| IO159PB4F14/CLKEP | AH18 |
| IO160NB4F14/CLKFN | AG16 |
| IO160PB4F14/CLKFP | AG17 |
| Bank 5 | |
| IO161NB5F15/CLKGN | AG14 |
| IO161PB5F15/CLKGP | AG15 |
| IO162NB5F15/CLKHN | AG13 |
| IO162PB5F15/CLKHP | AH13 |
| IO163NB5F15 | AE14 |
| IO163PB5F15 | AD14 |
| IO164NB5F15 | AJ12 |
| IO164PB5F15 | AJ13 |
| IO165NB5F15 | AB14 |
| IO165PB5F15 | AC15 |
| IO166NB5F15 | AK11 |
| IO166PB5F15 | AK12 |
| IO167NB5F15 | AB13 |
| IO167PB5F15 | AC14 |
| IO168NB5F15 | AH11 |
| IO168PB5F15 | AH12 |
| IO169NB5F15 | AD13 |
| IO169PB5F15 | AC13 |
| IO170NB5F15 | AJ10 |
| IO170PB5F15 | AJ11 |
| IO171NB5F16 | AG11 |
| IO171PB5F16 | AG12 |

| FG896 | |
|-----------------|------------|
| AX1000 Function | Pin Number |
| IO172NB5F16 | AK9 |
| IO172PB5F16 | AK10 |
| IO173NB5F16 | AE12 |
| IO173PB5F16 | AE13 |
| IO174NB5F16 | AG9 |
| IO174PB5F16 | AG10 |
| IO175NB5F16 | AE11 |
| IO175PB5F16 | AF11 |
| IO176NB5F16 | AH8 |
| IO176PB5F16 | AH9 |
| IO177NB5F16 | AC12 |
| IO177PB5F16 | AD12 |
| IO178NB5F16 | AJ7 |
| IO178PB5F16 | AJ8 |
| IO179NB5F16 | AF9 |
| IO179PB5F16 | AF10 |
| IO180NB5F16 | AE9 |
| IO180PB5F16 | AE10 |
| IO181NB5F17 | AC11 |
| IO181PB5F17 | AD11 |
| IO182NB5F17 | AK6 |
| IO182PB5F17 | AK7 |
| IO183NB5F17 | AF8 |
| IO183PB5F17 | AG8 |
| IO184NB5F17 | AG7 |
| IO184PB5F17 | AH7 |
| IO185NB5F17 | AC10 |
| IO185PB5F17 | AD10 |
| IO186NB5F17 | AJ5 |
| IO186PB5F17 | AJ6 |
| IO187NB5F17 | AE7 |
| IO187PB5F17 | AE8 |
| IO188NB5F17 | AF6 |
| IO188PB5F17 | AF7 |
| IO189NB5F17 | AD8 |

| FG896 | |
|-----------------|------------|
| AX1000 Function | Pin Number |
| IO189PB5F17 | AD9 |
| IO190NB5F17 | AH6 |
| IO190PB5F17 | AG6 |
| IO191NB5F17 | AG5 |
| IO191PB5F17 | AH5 |
| IO192NB5F17 | AC8 |
| IO192PB5F17 | AC9 |
| Bank 6 | |
| IO193NB6F18 | AB7 |
| IO193PB6F18 | AC7 |
| IO194NB6F18 | AD5 |
| IO194PB6F18 | AE5 |
| IO195NB6F18 | AB6 |
| IO195PB6F18 | AC6 |
| IO196NB6F18 | AE4 |
| IO196PB6F18 | AF4 |
| IO197NB6F18 | AA8 |
| IO197PB6F18 | AB8 |
| IO198NB6F18 | AF3 |
| IO198PB6F18 | AG3 |
| IO199NB6F18 | AC4 |
| IO199PB6F18 | AD4 |
| IO200NB6F18 | AB5 |
| IO200PB6F18 | AC5 |
| IO201NB6F18 | Y7 |
| IO201PB6F18 | AA7 |
| IO202NB6F18 | AD3 |
| IO202PB6F18 | AE3 |
| IO203NB6F19 | Y6 |
| IO203PB6F19 | AA6 |
| IO204NB6F19 | Y5 |
| IO204PB6F19 | AA5 |
| IO205NB6F19 | W8 |
| IO205PB6F19 | Y8 |
| IO206NB6F19 | AA4 |

| FG896 | |
|-----------------|------------|
| AX1000 Function | Pin Number |
| IO206PB6F19 | AB4 |
| IO207NB6F19 | W6 |
| IO207PB6F19 | W7 |
| IO208NB6F19 | AB3 |
| IO208PB6F19 | AC3 |
| IO209NB6F19 | V8 |
| IO209PB6F19 | V9 |
| IO210NB6F19 | AA2 |
| IO210PB6F19 | AA1 |
| IO211NB6F19 | V5 |
| IO211PB6F19 | W5 |
| IO212NB6F19 | Y3 |
| IO212PB6F19 | Y4 |
| IO213NB6F19 | V7 |
| IO213PB6F19 | V6 |
| IO214NB6F20 | W3 |
| IO214PB6F20 | W4 |
| IO215NB6F20 | U8 |
| IO215PB6F20 | U9 |
| IO216NB6F20 | W1 |
| IO216PB6F20 | W2 |
| IO217NB6F20 | U7 |
| IO217PB6F20 | U6 |
| IO218NB6F20 | U4 |
| IO218PB6F20 | V4 |
| IO219NB6F20 | T5 |
| IO219PB6F20 | U5 |
| IO220NB6F20 | U3 |
| IO220PB6F20 | V3 |
| IO221NB6F20 | T8 |
| IO221PB6F20 | T9 |
| IO222NB6F20 | U2 |
| IO222PB6F20 | V2 |
| IO223NB6F20 | T7 |
| IO223PB6F20 | T6 |

| FG896 | |
|-----------------|------------|
| AX1000 Function | Pin Number |
| IO224NB6F20 | R2 |
| IO224PB6F20 | T2 |
| Bank 7 | |
| IO225NB7F21 | R7 |
| IO225PB7F21 | R6 |
| IO226NB7F21 | R4 |
| IO226PB7F21 | R5 |
| IO227NB7F21 | R8 |
| IO227PB7F21 | R9 |
| IO228NB7F21 | P1 |
| IO228PB7F21 | R1 |
| IO229NB7F21 | P9 |
| IO229PB7F21 | P8 |
| IO230NB7F21 | N2 |
| IO230PB7F21 | P2 |
| IO231NB7F21 | P7 |
| IO231PB7F21 | P6 |
| IO232NB7F21 | N3 |
| IO232PB7F21 | P3 |
| IO233NB7F21 | P4 |
| IO233PB7F21 | P5 |
| IO234NB7F21 | L1 |
| IO234PB7F21 | M1 |
| IO235NB7F21 | M4 |
| IO235PB7F21 | N4 |
| IO236NB7F22 | N7 |
| IO236PB7F22 | N6 |
| IO237NB7F22 | N8 |
| IO237PB7F22 | N9 |
| IO238NB7F22 | M5 |
| IO238PB7F22 | N5 |
| IO239NB7F22 | L2 |
| IO239PB7F22 | M2 |
| IO240NB7F22 | L3 |
| IO240PB7F22 | M3 |

| FG896 | |
|----------------------|------------|
| AX1000 Function | Pin Number |
| IO241NB7F22 | M8 |
| IO241PB7F22 | M7 |
| IO242NB7F22 | K4 |
| IO242PB7F22 | L4 |
| IO243NB7F22 | L6 |
| IO243PB7F22 | M6 |
| IO244NB7F22 | K5 |
| IO244PB7F22 | L5 |
| IO245NB7F22 | J4 |
| IO245PB7F22 | J3 |
| IO246NB7F22 | G2 |
| IO246PB7F22 | H2 |
| IO247NB7F23 | L8 |
| IO247PB7F23 | L7 |
| IO248NB7F23 | G3 |
| IO248PB7F23 | H3 |
| IO249NB7F23 | G4 |
| IO249PB7F23 | H4 |
| IO250NB7F23 | J6 |
| IO250PB7F23 | K6 |
| IO251NB7F23 | H5 |
| IO251PB7F23 | J5 |
| IO252NB7F23 | F2 |
| IO252PB7F23 | F1 |
| IO253NB7F23 | K8 |
| IO253PB7F23 | K7 |
| IO254NB7F23 | F4 |
| IO254PB7F23 | F3 |
| IO255NB7F23 | G6 |
| IO255PB7F23 | H6 |
| IO256NB7F23 | F5 |
| IO256PB7F23 | G5 |
| IO257NB7F23 | H7 |
| IO257PB7F23 | J7 |
| Dedicated I/O | |

| FG896 | |
|-----------------|------------|
| AX1000 Function | Pin Number |
| GND | A13 |
| GND | A18 |
| GND | A2 |
| GND | A23 |
| GND | A29 |
| GND | A8 |
| GND | AA10 |
| GND | AA21 |
| GND | AA28 |
| GND | AA3 |
| GND | AB2 |
| GND | AB22 |
| GND | AB29 |
| GND | AB9 |
| GND | AC1 |
| GND | AC30 |
| GND | AE25 |
| GND | AE6 |
| GND | AF26 |
| GND | AF5 |
| GND | AG27 |
| GND | AG4 |
| GND | AH10 |
| GND | AH15 |
| GND | AH16 |
| GND | AH21 |
| GND | AH28 |
| GND | AH3 |
| GND | AJ1 |
| GND | AJ2 |
| GND | AJ22 |
| GND | AJ29 |
| GND | AJ30 |
| GND | AJ9 |
| GND | AK13 |

| FG896 | |
|-----------------|------------|
| AX1000 Function | Pin Number |
| GND | AK18 |
| GND | AK2 |
| GND | AK23 |
| GND | AK29 |
| GND | AK8 |
| GND | B1 |
| GND | B2 |
| GND | B22 |
| GND | B29 |
| GND | B30 |
| GND | B9 |
| GND | C10 |
| GND | C15 |
| GND | C16 |
| GND | C21 |
| GND | C28 |
| GND | C3 |
| GND | D27 |
| GND | D28 |
| GND | D4 |
| GND | E26 |
| GND | E5 |
| GND | H1 |
| GND | H30 |
| GND | J2 |
| GND | J22 |
| GND | J29 |
| GND | J9 |
| GND | K10 |
| GND | K21 |
| GND | K28 |
| GND | K3 |
| GND | L11 |
| GND | L20 |
| GND | M12 |

| FG896 | |
|-----------------|------------|
| AX1000 Function | Pin Number |
| GND | M13 |
| GND | M14 |
| GND | M15 |
| GND | M16 |
| GND | M17 |
| GND | M18 |
| GND | M19 |
| GND | N1 |
| GND | N12 |
| GND | N13 |
| GND | N14 |
| GND | N15 |
| GND | N16 |
| GND | N17 |
| GND | N18 |
| GND | N19 |
| GND | N30 |
| GND | P12 |
| GND | P13 |
| GND | P14 |
| GND | P15 |
| GND | P16 |
| GND | P17 |
| GND | P18 |
| GND | P19 |
| GND | R12 |
| GND | R13 |
| GND | R14 |
| GND | R15 |
| GND | R16 |
| GND | R17 |
| GND | R18 |
| GND | R19 |
| GND | R28 |
| GND | R3 |

| FG896 | |
|-----------------|------------|
| AX1000 Function | Pin Number |
| GND | T12 |
| GND | T13 |
| GND | T14 |
| GND | T15 |
| GND | T16 |
| GND | T17 |
| GND | T18 |
| GND | T19 |
| GND | T28 |
| GND | T3 |
| GND | U12 |
| GND | U13 |
| GND | U14 |
| GND | U15 |
| GND | U16 |
| GND | U17 |
| GND | U18 |
| GND | U19 |
| GND | V1 |
| GND | V12 |
| GND | V13 |
| GND | V14 |
| GND | V15 |
| GND | V16 |
| GND | V17 |
| GND | V18 |
| GND | V19 |
| GND | V30 |
| GND | W12 |
| GND | W13 |
| GND | W14 |
| GND | W15 |
| GND | W16 |
| GND | W17 |
| GND | W18 |

| FG896 | |
|-----------------|------------|
| AX1000 Function | Pin Number |
| GND | W19 |
| GND | Y11 |
| GND | Y20 |
| GND/LP | E4 |
| NC | A16 |
| NC | A26 |
| NC | A4 |
| NC | A6 |
| NC | AA30 |
| NC | AB1 |
| NC | AB30 |
| NC | AC2 |
| NC | AC29 |
| NC | AD1 |
| NC | AD2 |
| NC | AD30 |
| NC | AE1 |
| NC | AE15 |
| NC | AE16 |
| NC | AE2 |
| NC | AE30 |
| NC | AF1 |
| NC | AF2 |
| NC | AF29 |
| NC | AF30 |
| NC | AG1 |
| NC | AG2 |
| NC | AG29 |
| NC | AG30 |
| NC | AH27 |
| NC | AH4 |
| NC | AJ14 |
| NC | AJ15 |
| NC | AJ16 |
| NC | AJ27 |

| FG896 | |
|-----------------|------------|
| AX1000 Function | Pin Number |
| NC | AJ4 |
| NC | AK14 |
| NC | AK15 |
| NC | AK16 |
| NC | AK17 |
| NC | AK22 |
| NC | AK4 |
| NC | AK5 |
| NC | B16 |
| NC | B18 |
| NC | B21 |
| NC | B23 |
| NC | B26 |
| NC | B4 |
| NC | B6 |
| NC | B8 |
| NC | C27 |
| NC | D1 |
| NC | D2 |
| NC | D29 |
| NC | D30 |
| NC | E1 |
| NC | E2 |
| NC | E29 |
| NC | E30 |
| NC | F15 |
| NC | F16 |
| NC | F29 |
| NC | F30 |
| NC | G1 |
| NC | G29 |
| NC | G30 |
| NC | H29 |
| NC | J1 |
| NC | J30 |

| FG896 | | FG896 | | FG896 | |
|-----------------|------------|-----------------|------------|-----------------|------------|
| AX1000 Function | Pin Number | AX1000 Function | Pin Number | AX1000 Function | Pin Number |
| NC | K1 | VCCA | N20 | VCCDA | AF19 |
| NC | K2 | VCCA | P11 | VCCDA | C13 |
| NC | L30 | VCCA | P20 | VCCDA | C5 |
| NC | M30 | VCCA | R11 | VCCDA | D13 |
| NC | N29 | VCCA | R20 | VCCDA | D19 |
| NC | T1 | VCCA | T11 | VCCDA | D3 |
| NC | U1 | VCCA | T20 | VCCDA | E18 |
| NC | W30 | VCCA | U11 | VCCDA | F26 |
| NC | Y1 | VCCA | U20 | VCCDA | G16 |
| NC | Y2 | VCCA | V11 | VCCDA | T25 |
| NC | Y30 | VCCA | V20 | VCCDA | T4 |
| PRA | G15 | VCCA | W11 | VCCIB0 | A3 |
| PRB | D16 | VCCA | W20 | VCCIB0 | B3 |
| PRC | AB16 | VCCA | Y12 | VCCIB0 | J10 |
| PRD | AF16 | VCCA | Y13 | VCCIB0 | J11 |
| TCK | G7 | VCCA | Y14 | VCCIB0 | J12 |
| TDI | D5 | VCCA | Y15 | VCCIB0 | K11 |
| TDO | J8 | VCCA | Y16 | VCCIB0 | K12 |
| TMS | F6 | VCCA | Y17 | VCCIB0 | K13 |
| TRST | C4 | VCCA | Y18 | VCCIB0 | K14 |
| VCCA | AD6 | VCCA | Y19 | VCCIB0 | K15 |
| VCCA | AH26 | VCCPLA | G14 | VCCIB1 | A28 |
| VCCA | E28 | VCCPLB | H15 | VCCIB1 | B28 |
| VCCA | E3 | VCCPLC | G17 | VCCIB1 | J19 |
| VCCA | L12 | VCCPLD | J16 | VCCIB1 | J20 |
| VCCA | L13 | VCCPLE | AH17 | VCCIB1 | J21 |
| VCCA | L14 | VCCPLF | AC16 | VCCIB1 | K16 |
| VCCA | L15 | VCCPLG | AH14 | VCCIB1 | K17 |
| VCCA | L16 | VCCPLH | AD15 | VCCIB1 | K18 |
| VCCA | L17 | VCCDA | AD24 | VCCIB1 | K19 |
| VCCA | L18 | VCCDA | AD7 | VCCIB1 | K20 |
| VCCA | L19 | VCCDA | AF12 | VCCIB2 | C29 |
| VCCA | M11 | VCCDA | AF13 | VCCIB2 | C30 |
| VCCA | M20 | VCCDA | AF15 | VCCIB2 | K22 |
| VCCA | N11 | VCCDA | AF18 | VCCIB2 | L21 |

| FG896 | |
|-----------------|------------|
| AX1000 Function | Pin Number |
| VCCIB2 | L22 |
| VCCIB2 | M21 |
| VCCIB2 | M22 |
| VCCIB2 | N21 |
| VCCIB2 | P21 |
| VCCIB2 | R21 |
| VCCIB3 | AA22 |
| VCCIB3 | AH29 |
| VCCIB3 | AH30 |
| VCCIB3 | T21 |
| VCCIB3 | U21 |
| VCCIB3 | V21 |
| VCCIB3 | W21 |
| VCCIB3 | W22 |
| VCCIB3 | Y21 |
| VCCIB3 | Y22 |
| VCCIB4 | AA16 |
| VCCIB4 | AA17 |
| VCCIB4 | AA18 |
| VCCIB4 | AA19 |
| VCCIB4 | AA20 |
| VCCIB4 | AB19 |
| VCCIB4 | AB20 |
| VCCIB4 | AB21 |
| VCCIB4 | AJ28 |
| VCCIB4 | AK28 |
| VCCIB5 | AA11 |
| VCCIB5 | AA12 |
| VCCIB5 | AA13 |
| VCCIB5 | AA14 |
| VCCIB5 | AA15 |
| VCCIB5 | AB10 |
| VCCIB5 | AB11 |
| VCCIB5 | AB12 |
| VCCIB5 | AJ3 |

| FG896 | |
|-----------------|------------|
| AX1000 Function | Pin Number |
| VCCIB5 | AK3 |
| VCCIB6 | AA9 |
| VCCIB6 | AH1 |
| VCCIB6 | AH2 |
| VCCIB6 | T10 |
| VCCIB6 | U10 |
| VCCIB6 | V10 |
| VCCIB6 | W10 |
| VCCIB6 | W9 |
| VCCIB6 | Y10 |
| VCCIB6 | Y9 |
| VCCIB7 | C1 |
| VCCIB7 | C2 |
| VCCIB7 | K9 |
| VCCIB7 | L10 |
| VCCIB7 | L9 |
| VCCIB7 | M10 |
| VCCIB7 | M9 |
| VCCIB7 | N10 |
| VCCIB7 | P10 |
| VCCIB7 | R10 |
| VCOMPLA | F14 |
| VCOMPLB | J15 |
| VCOMPLC | F17 |
| VCOMPLD | H16 |
| VCOMPLE | AF17 |
| VCOMPLF | AD16 |
| VCOMPLG | AF14 |
| VCOMPLH | AB15 |
| VPUMP | G24 |

| FG896 | |
|-----------------|------------|
| AX2000 Function | Pin Number |
| Bank 0 | |
| IO00NB0F0 | B4 |
| IO00PB0F0 | A4 |
| IO01NB0F0 | F8 |
| IO01PB0F0 | F7 |
| IO02NB0F0 | D6 |
| IO02PB0F0 | E6 |
| IO04NB0F0 | A5 |
| IO04PB0F0 | B5 |
| IO05NB0F0 | H8 |
| IO05PB0F0 | G8 |
| IO06NB0F0 | D7 |
| IO06PB0F0 | E7 |
| IO07NB0F0 | D8 |
| IO07PB0F0 | E8 |
| IO08NB0F0 | C7 |
| IO08PB0F0 | C6 |
| IO09NB0F0 | G9 |
| IO09PB0F0 | H9 |
| IO10NB0F0 | A6 |
| IO10PB0F0 | B6 |
| IO11NB0F0 | H10 |
| IO11PB0F0 | G10 |
| IO12NB0F1 | E9 |
| IO12PB0F1 | F9 |
| IO13NB0F1 | E10 |
| IO13PB0F1 | F10 |
| IO15NB0F1 | F11 |
| IO15PB0F1 | G11 |
| IO16NB0F1 | A7 |
| IO16PB0F1 | B7 |
| IO17NB0F1 | D10 |
| IO17PB0F1 | D9 |
| IO18NB0F1 | C9 |
| IO18PB0F1 | C8 |

| FG896 | |
|------------------|------------|
| AX2000 Function | Pin Number |
| IO19NB0F1 | D11 |
| IO19PB0F1 | E11 |
| IO20PB0F1 | B8 |
| IO21NB0F1 | H12 |
| IO21PB0F1 | H11 |
| IO23NB0F2 | A10 |
| IO23PB0F2 | A9 |
| IO25NB0F2 | F12 |
| IO25PB0F2 | G12 |
| IO26NB0F2 | B11 |
| IO26PB0F2 | B10 |
| IO27NB0F2 | D12 |
| IO27PB0F2 | E12 |
| IO28NB0F2 | C12 |
| IO28PB0F2 | C11 |
| IO30NB0F2 | A12 |
| IO30PB0F2 | A11 |
| IO31NB0F2 | F13 |
| IO31PB0F2 | G13 |
| IO33NB0F2 | H13 |
| IO33PB0F2 | J13 |
| IO34NB0F3 | B13 |
| IO34PB0F3 | B12 |
| IO37NB0F3 | E14 |
| IO37PB0F3 | E13 |
| IO38NB0F3 | B14 |
| IO38PB0F3 | A14 |
| IO39NB0F3 | H14 |
| IO39PB0F3 | J14 |
| IO40NB0F3 | B15 |
| IO40PB0F3 | A15 |
| IO41NB0F3/HCLKAN | C14 |
| IO41PB0F3/HCLKAP | D14 |
| IO42NB0F3/HCLKBN | E15 |
| IO42PB0F3/HCLKBP | D15 |

| FG896 | |
|------------------|------------|
| AX2000 Function | Pin Number |
| Bank 1 | |
| IO43NB1F4/HCLKCN | E17 |
| IO43PB1F4/HCLKCP | E16 |
| IO44NB1F4/HCLKDN | C17 |
| IO44PB1F4/HCLKDP | D17 |
| IO45NB1F4 | A16 |
| IO45PB1F4 | B16 |
| IO47NB1F4 | H17 |
| IO47PB1F4 | J17 |
| IO48NB1F4 | A17 |
| IO48PB1F4 | B17 |
| IO49NB1F4 | H18 |
| IO49PB1F4 | J18 |
| IO51NB1F4 | F18 |
| IO51PB1F4 | G18 |
| IO52NB1F4 | B18 |
| IO53NB1F4 | D18 |
| IO53PB1F4 | C18 |
| IO55NB1F5 | H19 |
| IO55PB1F5 | G19 |
| IO56NB1F5 | B19 |
| IO56PB1F5 | A19 |
| IO57NB1F5 | E20 |
| IO57PB1F5 | E19 |
| IO58NB1F5 | C20 |
| IO58PB1F5 | C19 |
| IO59NB1F5 | B20 |
| IO59PB1F5 | A20 |
| IO61NB1F5 | F20 |
| IO61PB1F5 | F19 |
| IO62NB1F5 | A22 |
| IO62PB1F5 | A21 |
| IO63NB1F5 | D21 |
| IO63PB1F5 | D20 |
| IO65NB1F6 | G20 |

| FG896 | |
|-----------------|------------|
| AX2000 Function | Pin Number |
| IO65PB1F6 | H20 |
| IO66NB1F6 | B23 |
| IO66PB1F6 | B21 |
| IO67NB1F6 | H21 |
| IO67PB1F6 | G21 |
| IO68NB1F6 | D22 |
| IO68PB1F6 | C22 |
| IO69NB1F6 | A25 |
| IO69PB1F6 | A24 |
| IO70NB1F6 | F22 |
| IO70PB1F6 | E22 |
| IO71NB1F6 | F21 |
| IO71PB1F6 | E21 |
| IO73NB1F6 | C24 |
| IO73PB1F6 | C23 |
| IO74NB1F6 | D24 |
| IO74PB1F6 | D23 |
| IO75NB1F6 | H23 |
| IO75PB1F6 | H22 |
| IO76NB1F7 | B25 |
| IO76PB1F7 | B24 |
| IO78NB1F7 | B26 |
| IO78PB1F7 | A26 |
| IO79NB1F7 | F23 |
| IO79PB1F7 | E23 |
| IO80NB1F7 | D25 |
| IO80PB1F7 | C25 |
| IO81NB1F7 | G23 |
| IO81PB1F7 | G22 |
| IO82NB1F7 | B27 |
| IO82PB1F7 | A27 |
| IO83NB1F7 | F24 |
| IO83PB1F7 | E24 |
| IO84NB1F7 | D26 |
| IO84PB1F7 | C26 |

| FG896 | |
|-----------------|------------|
| AX2000 Function | Pin Number |
| IO85NB1F7 | F25 |
| IO85PB1F7 | E25 |
| Bank 2 | |
| IO86NB2F8 | G26 |
| IO86PB2F8 | G25 |
| IO87NB2F8 | K23 |
| IO87PB2F8 | J23 |
| IO88NB2F8 | J24 |
| IO88PB2F8 | H24 |
| IO89NB2F8 | E29 |
| IO89PB2F8 | D29 |
| IO90NB2F8 | F27 |
| IO90PB2F8 | E27 |
| IO91NB2F8 | H26 |
| IO91PB2F8 | H25 |
| IO92NB2F8 | G28 |
| IO92PB2F8 | F28 |
| IO93NB2F8 | J26 |
| IO93PB2F8 | J25 |
| IO94NB2F8 | H27 |
| IO94PB2F8 | G27 |
| IO95NB2F8 | H29 |
| IO95PB2F8 | G29 |
| IO96NB2F9 | G30 |
| IO96PB2F9 | F30 |
| IO97NB2F9 | K25 |
| IO97PB2F9 | K24 |
| IO98NB2F9 | J28 |
| IO98PB2F9 | H28 |
| IO99NB2F9 | L23 |
| IO99PB2F9 | L24 |
| IO100NB2F9 | K27 |
| IO100PB2F9 | J27 |
| IO101PB2F9 | J30 |
| IO102NB2F9 | E30 |

| FG896 | |
|-----------------|------------|
| AX2000 Function | Pin Number |
| IO102PB2F9 | D30 |
| IO103NB2F9 | L26 |
| IO103PB2F9 | K26 |
| IO104NB2F9 | F29 |
| IO105NB2F9 | M25 |
| IO105PB2F9 | L25 |
| IO106NB2F9 | K30 |
| IO106PB2F9 | K29 |
| IO107NB2F10 | M23 |
| IO107PB2F10 | M24 |
| IO109NB2F10 | M27 |
| IO109PB2F10 | L27 |
| IO110NB2F10 | M28 |
| IO110PB2F10 | L28 |
| IO111NB2F10 | N22 |
| IO111PB2F10 | N23 |
| IO112NB2F10 | M29 |
| IO112PB2F10 | L29 |
| IO113NB2F10 | N26 |
| IO113PB2F10 | M26 |
| IO114NB2F10 | M30 |
| IO114PB2F10 | L30 |
| IO115NB2F10 | N28 |
| IO115PB2F10 | N27 |
| IO117NB2F10 | N25 |
| IO117PB2F10 | N24 |
| IO118NB2F11 | N29 |
| IO119NB2F11 | P22 |
| IO119PB2F11 | P23 |
| IO121NB2F11 | P25 |
| IO121PB2F11 | P24 |
| IO122NB2F11 | P28 |
| IO122PB2F11 | P27 |
| IO123NB2F11 | R26 |
| IO123PB2F11 | P26 |

| FG896 | |
|-----------------|------------|
| AX2000 Function | Pin Number |
| IO124NB2F11 | P29 |
| IO124PB2F11 | P30 |
| IO125NB2F11 | R22 |
| IO125PB2F11 | R23 |
| IO127NB2F11 | R24 |
| IO127PB2F11 | R25 |
| IO128NB2F11 | R29 |
| IO128PB2F11 | R30 |
| Bank 3 | |
| IO129NB3F12 | T27 |
| IO129PB3F12 | R27 |
| IO130NB3F12 | T29 |
| IO130PB3F12 | T30 |
| IO131NB3F12 | T22 |
| IO131PB3F12 | T23 |
| IO132NB3F12 | U26 |
| IO132PB3F12 | T26 |
| IO133NB3F12 | U24 |
| IO133PB3F12 | T24 |
| IO135NB3F12 | U23 |
| IO135PB3F12 | U22 |
| IO136NB3F12 | U29 |
| IO136PB3F12 | U30 |
| IO137NB3F12 | V28 |
| IO137PB3F12 | U28 |
| IO138NB3F12 | V27 |
| IO138PB3F12 | U27 |
| IO139NB3F13 | V25 |
| IO139PB3F13 | U25 |
| IO141NB3F13 | V23 |
| IO141PB3F13 | V22 |
| IO142NB3F13 | W29 |
| IO142PB3F13 | V29 |
| IO143NB3F13 | W26 |
| IO143PB3F13 | V26 |

| FG896 | |
|-----------------|------------|
| AX2000 Function | Pin Number |
| IO145NB3F13 | W24 |
| IO145PB3F13 | V24 |
| IO146NB3F13 | W27 |
| IO146PB3F13 | W28 |
| IO147NB3F13 | Y28 |
| IO147PB3F13 | Y27 |
| IO148NB3F13 | Y30 |
| IO148PB3F13 | W30 |
| IO149NB3F13 | Y25 |
| IO149PB3F13 | W25 |
| IO150NB3F14 | AA29 |
| IO150PB3F14 | Y29 |
| IO151NB3F14 | AC29 |
| IO152NB3F14 | AA26 |
| IO152PB3F14 | Y26 |
| IO153NB3F14 | Y23 |
| IO153PB3F14 | W23 |
| IO154NB3F14 | AB30 |
| IO154PB3F14 | AA30 |
| IO155NB3F14 | AB27 |
| IO155PB3F14 | AA27 |
| IO156NB3F14 | AC28 |
| IO156PB3F14 | AB28 |
| IO157NB3F14 | AA24 |
| IO157PB3F14 | Y24 |
| IO158NB3F14 | AF29 |
| IO158PB3F14 | AF30 |
| IO159NB3F14 | AB25 |
| IO159PB3F14 | AA25 |
| IO160NB3F14 | AE30 |
| IO160PB3F14 | AD30 |
| IO161NB3F15 | AE29 |
| IO161PB3F15 | AD29 |
| IO162NB3F15 | AD27 |
| IO162PB3F15 | AC27 |

| FG896 | |
|-----------------|------------|
| AX2000 Function | Pin Number |
| IO163NB3F15 | AC26 |
| IO163PB3F15 | AB26 |
| IO164NB3F15 | AE28 |
| IO164PB3F15 | AD28 |
| IO165NB3F15 | AC24 |
| IO165PB3F15 | AB24 |
| IO166NB3F15 | AG28 |
| IO166PB3F15 | AF28 |
| IO167NB3F15 | AE26 |
| IO167PB3F15 | AD26 |
| IO168NB3F15 | AD25 |
| IO168PB3F15 | AC25 |
| IO169NB3F15 | AF27 |
| IO169PB3F15 | AE27 |
| IO170NB3F15 | AB23 |
| IO170PB3F15 | AA23 |
| Bank 4 | |
| IO171NB4F16 | AG29 |
| IO171PB4F16 | AG30 |
| IO172NB4F16 | AF24 |
| IO172PB4F16 | AF25 |
| IO173NB4F16 | AG25 |
| IO173PB4F16 | AG26 |
| IO174NB4F16 | AJ25 |
| IO174PB4F16 | AJ26 |
| IO175NB4F16 | AK26 |
| IO175PB4F16 | AK27 |
| IO176NB4F16 | AE23 |
| IO176PB4F16 | AE24 |
| IO177NB4F16 | AH24 |
| IO177PB4F16 | AH25 |
| IO178NB4F16 | AD23 |
| IO178PB4F16 | AC23 |
| IO179PB4F16 | AJ27 |
| IO180NB4F16 | AG23 |

| FG896 | |
|-----------------|------------|
| AX2000 Function | Pin Number |
| IO180PB4F16 | AG24 |
| IO181NB4F17 | AK24 |
| IO181PB4F17 | AK25 |
| IO182NB4F17 | AD22 |
| IO182PB4F17 | AC22 |
| IO183NB4F17 | AF22 |
| IO183PB4F17 | AF23 |
| IO184NB4F17 | AE21 |
| IO184PB4F17 | AE22 |
| IO185NB4F17 | AJ23 |
| IO185PB4F17 | AJ24 |
| IO187NB4F17 | AH22 |
| IO187PB4F17 | AH23 |
| IO188NB4F17 | AD21 |
| IO188PB4F17 | AC21 |
| IO189PB4F17 | AK22 |
| IO190NB4F17 | AF20 |
| IO190PB4F17 | AF21 |
| IO191NB4F17 | AG21 |
| IO191PB4F17 | AG22 |
| IO192NB4F17 | AE19 |
| IO192PB4F17 | AE20 |
| IO195NB4F18 | AK21 |
| IO195PB4F18 | AJ21 |
| IO196NB4F18 | AD19 |
| IO196PB4F18 | AD20 |
| IO197NB4F18 | AJ20 |
| IO197PB4F18 | AK20 |
| IO198NB4F18 | AC19 |
| IO198PB4F18 | AC20 |
| IO199NB4F18 | AG19 |
| IO199PB4F18 | AG20 |
| IO200NB4F18 | AH19 |
| IO200PB4F18 | AH20 |
| IO201NB4F18 | AK19 |

| FG896 | |
|-------------------|------------|
| AX2000 Function | Pin Number |
| IO201PB4F18 | AJ19 |
| IO202NB4F18 | AC18 |
| IO202PB4F18 | AB18 |
| IO206NB4F19 | AE18 |
| IO206PB4F19 | AD18 |
| IO207NB4F19 | AJ17 |
| IO207PB4F19 | AJ18 |
| IO208NB4F19 | AE17 |
| IO208PB4F19 | AD17 |
| IO209NB4F19 | AK17 |
| IO210NB4F19 | AC17 |
| IO210PB4F19 | AB17 |
| IO211NB4F19 | AJ16 |
| IO211PB4F19 | AK16 |
| IO212NB4F19/CLKEN | AG18 |
| IO212PB4F19/CLKEP | AH18 |
| IO213NB4F19/CLKFN | AG16 |
| IO213PB4F19/CLKFP | AG17 |
| Bank 5 | |
| IO214NB5F20/CLKGN | AG14 |
| IO214PB5F20/CLKGP | AG15 |
| IO215NB5F20/CLKHN | AG13 |
| IO215PB5F20/CLKHP | AH13 |
| IO216NB5F20 | AB14 |
| IO216PB5F20 | AC15 |
| IO217NB5F20 | AK15 |
| IO217PB5F20 | AJ15 |
| IO218NB5F20 | AE14 |
| IO218PB5F20 | AD14 |
| IO219NB5F20 | AK14 |
| IO219PB5F20 | AJ14 |
| IO222NB5F20 | AB13 |
| IO222PB5F20 | AC14 |
| IO223NB5F21 | AJ12 |
| IO223PB5F21 | AJ13 |

| FG896 | |
|-----------------|------------|
| AX2000 Function | Pin Number |
| IO225NB5F21 | AH11 |
| IO225PB5F21 | AH12 |
| IO226NB5F21 | AC13 |
| IO226PB5F21 | AD13 |
| IO227NB5F21 | AE12 |
| IO227PB5F21 | AE13 |
| IO228NB5F21 | AG11 |
| IO228PB5F21 | AG12 |
| IO229NB5F21 | AK11 |
| IO229PB5F21 | AK12 |
| IO230NB5F21 | AC12 |
| IO230PB5F21 | AD12 |
| IO232NB5F21 | AE11 |
| IO232PB5F21 | AF11 |
| IO233NB5F21 | AJ10 |
| IO233PB5F21 | AJ11 |
| IO234NB5F21 | AC11 |
| IO234PB5F21 | AD11 |
| IO236NB5F22 | AK9 |
| IO236PB5F22 | AK10 |
| IO237NB5F22 | AG9 |
| IO237PB5F22 | AG10 |
| IO238NB5F22 | AF9 |
| IO238PB5F22 | AF10 |
| IO239NB5F22 | AH8 |
| IO239PB5F22 | AH9 |
| IO240NB5F22 | AC10 |
| IO240PB5F22 | AD10 |
| IO242NB5F22 | AE9 |
| IO242PB5F22 | AE10 |
| IO243NB5F22 | AJ7 |
| IO243PB5F22 | AJ8 |
| IO244NB5F22 | AK6 |
| IO244PB5F22 | AK7 |
| IO245NB5F23 | AF8 |

| FG896 | |
|-----------------|------------|
| AX2000 Function | Pin Number |
| IO245PB5F23 | AG8 |
| IO246NB5F23 | AD8 |
| IO246PB5F23 | AD9 |
| IO247NB5F23 | AG7 |
| IO247PB5F23 | AH7 |
| IO248NB5F23 | AK5 |
| IO249NB5F23 | AJ5 |
| IO249PB5F23 | AJ6 |
| IO250NB5F23 | AC8 |
| IO250PB5F23 | AC9 |
| IO251NB5F23 | AH6 |
| IO251PB5F23 | AG6 |
| IO252NB5F23 | AF6 |
| IO252PB5F23 | AF7 |
| IO253NB5F23 | AG2 |
| IO253PB5F23 | AG1 |
| IO254NB5F23 | AE7 |
| IO254PB5F23 | AE8 |
| IO255NB5F23 | AG5 |
| IO255PB5F23 | AH5 |
| IO256NB5F23 | AJ4 |
| IO256PB5F23 | AK4 |
| Bank 6 | |
| IO257NB6F24 | AE4 |
| IO257PB6F24 | AF4 |
| IO258NB6F24 | AB7 |
| IO258PB6F24 | AC7 |
| IO259NB6F24 | AD5 |
| IO259PB6F24 | AE5 |
| IO260NB6F24 | AF1 |
| IO260PB6F24 | AF2 |
| IO261NB6F24 | AF3 |
| IO261PB6F24 | AG3 |
| IO262NB6F24 | AC4 |
| IO262PB6F24 | AD4 |

| FG896 | |
|-----------------|------------|
| AX2000 Function | Pin Number |
| IO263NB6F24 | AD3 |
| IO263PB6F24 | AE3 |
| IO264NB6F24 | AB6 |
| IO264PB6F24 | AC6 |
| IO265NB6F24 | AD1 |
| IO265PB6F24 | AE1 |
| IO266NB6F24 | AA8 |
| IO266PB6F24 | AB8 |
| IO267NB6F25 | AB5 |
| IO267PB6F25 | AC5 |
| IO268NB6F25 | AB3 |
| IO268PB6F25 | AC3 |
| IO269NB6F25 | AC2 |
| IO269PB6F25 | AD2 |
| IO270NB6F25 | Y7 |
| IO270PB6F25 | AA7 |
| IO271NB6F25 | AA4 |
| IO271PB6F25 | AB4 |
| IO272NB6F25 | Y6 |
| IO272PB6F25 | AA6 |
| IO273NB6F25 | AB1* |
| IO273PB6F25 | AE2* |
| IO274NB6F25 | W8 |
| IO274PB6F25 | Y8 |
| IO275NB6F25 | Y5 |
| IO275PB6F25 | AA5 |
| IO277NB6F25 | AA2 |
| IO277PB6F25 | AA1 |
| IO278NB6F26 | W6 |
| IO278PB6F26 | W7 |
| IO279NB6F26 | Y3 |
| IO279PB6F26 | Y4 |
| IO280NB6F26 | V8 |
| IO280PB6F26 | V9 |
| IO281NB6F26 | Y1 |

| FG896 | |
|-----------------|------------|
| AX2000 Function | Pin Number |
| IO281PB6F26 | Y2 |
| IO282NB6F26 | V5 |
| IO282PB6F26 | W5 |
| IO284NB6F26 | V7 |
| IO284PB6F26 | V6 |
| IO285NB6F26 | W3 |
| IO285PB6F26 | W4 |
| IO286NB6F26 | U8 |
| IO286PB6F26 | U9 |
| IO287NB6F26 | W1 |
| IO287PB6F26 | W2 |
| IO288NB6F26 | U7 |
| IO288PB6F26 | U6 |
| IO290NB6F27 | U4 |
| IO290PB6F27 | V4 |
| IO291NB6F27 | U3 |
| IO291PB6F27 | V3 |
| IO292NB6F27 | T5 |
| IO292PB6F27 | U5 |
| IO293NB6F27 | U2 |
| IO293PB6F27 | V2 |
| IO294NB6F27 | T8 |
| IO294PB6F27 | T9 |
| IO296NB6F27 | T1 |
| IO296PB6F27 | U1 |
| IO298NB6F27 | T7 |
| IO298PB6F27 | T6 |
| IO299NB6F27 | R2 |
| IO299PB6F27 | T2 |
| Bank 7 | |
| IO300NB7F28 | R8 |
| IO300PB7F28 | R9 |
| IO302NB7F28 | R4 |
| IO302PB7F28 | R5 |
| IO303NB7F28 | P1 |

| FG896 | |
|-----------------|------------|
| AX2000 Function | Pin Number |
| IO303PB7F28 | R1 |
| IO304NB7F28 | R7 |
| IO304PB7F28 | R6 |
| IO306NB7F28 | N2 |
| IO306PB7F28 | P2 |
| IO307NB7F28 | N3 |
| IO307PB7F28 | P3 |
| IO308NB7F28 | P9 |
| IO308PB7F28 | P8 |
| IO309NB7F28 | P4 |
| IO309PB7F28 | P5 |
| IO310NB7F29 | P7 |
| IO310PB7F29 | P6 |
| IO311NB7F29 | L1 |
| IO311PB7F29 | M1 |
| IO312NB7F29 | M5 |
| IO312PB7F29 | N5 |
| IO313NB7F29 | M4 |
| IO313PB7F29 | N4 |
| IO315NB7F29 | L2 |
| IO315PB7F29 | M2 |
| IO316NB7F29 | N7 |
| IO316PB7F29 | N6 |
| IO317NB7F29 | L3 |
| IO317PB7F29 | M3 |
| IO318NB7F29 | N8 |
| IO318PB7F29 | N9 |
| IO320NB7F29 | L6 |
| IO320PB7F29 | M6 |
| IO321NB7F30 | K4 |
| IO321PB7F30 | L4 |
| IO322NB7F30 | M8 |
| IO322PB7F30 | M7 |
| IO323NB7F30 | J1 |
| IO323PB7F30 | K1 |

| FG896 | |
|----------------------|------------|
| AX2000 Function | Pin Number |
| IO324NB7F30 | K5 |
| IO324PB7F30 | L5 |
| IO326NB7F30 | G1* |
| IO326PB7F30 | K2* |
| IO327NB7F30 | J4 |
| IO327PB7F30 | J3 |
| IO328NB7F30 | L8 |
| IO328PB7F30 | L7 |
| IO329NB7F30 | G2 |
| IO329PB7F30 | H2 |
| IO330NB7F30 | G3 |
| IO330PB7F30 | H3 |
| IO331NB7F30 | K8 |
| IO331PB7F30 | K7 |
| IO332NB7F31 | J6 |
| IO332PB7F31 | K6 |
| IO333NB7F31 | D1 |
| IO333PB7F31 | D2 |
| IO334NB7F31 | G4 |
| IO334PB7F31 | H4 |
| IO335NB7F31 | F2 |
| IO335PB7F31 | F1 |
| IO336NB7F31 | H5 |
| IO336PB7F31 | J5 |
| IO337NB7F31 | E2 |
| IO337PB7F31 | E1 |
| IO338NB7F31 | H7 |
| IO338PB7F31 | J7 |
| IO339NB7F31 | F4 |
| IO339PB7F31 | F3 |
| IO340NB7F31 | F5 |
| IO340PB7F31 | G5 |
| IO341NB7F31 | G6 |
| IO341PB7F31 | H6 |
| Dedicated I/O | |

| FG896 | |
|-----------------|------------|
| AX2000 Function | Pin Number |
| GND | A13 |
| GND | A18 |
| GND | A2 |
| GND | A23 |
| GND | A29 |
| GND | A8 |
| GND | AA10 |
| GND | AA21 |
| GND | AA28 |
| GND | AA3 |
| GND | AB2 |
| GND | AB22 |
| GND | AB29 |
| GND | AB9 |
| GND | AC1 |
| GND | AC30 |
| GND | AE25 |
| GND | AE6 |
| GND | AF26 |
| GND | AF5 |
| GND | AG27 |
| GND | AG4 |
| GND | AH10 |
| GND | AH15 |
| GND | AH16 |
| GND | AH21 |
| GND | AH28 |
| GND | AH3 |
| GND | AJ1 |
| GND | AJ2 |
| GND | AJ22 |
| GND | AJ29 |
| GND | AJ30 |
| GND | AJ9 |
| GND | AK13 |

| FG896 | |
|-----------------|------------|
| AX2000 Function | Pin Number |
| GND | AK18 |
| GND | AK2 |
| GND | AK23 |
| GND | AK29 |
| GND | AK8 |
| GND | B1 |
| GND | B2 |
| GND | B22 |
| GND | B29 |
| GND | B30 |
| GND | B9 |
| GND | C10 |
| GND | C15 |
| GND | C16 |
| GND | C21 |
| GND | C28 |
| GND | C3 |
| GND | D27 |
| GND | D28 |
| GND | D4 |
| GND | E26 |
| GND | E5 |
| GND | H1 |
| GND | H30 |
| GND | J2 |
| GND | J22 |
| GND | J29 |
| GND | J9 |
| GND | K10 |
| GND | K21 |
| GND | K28 |
| GND | K3 |
| GND | L11 |
| GND | L20 |
| GND | M12 |

| FG896 | |
|-----------------|------------|
| AX2000 Function | Pin Number |
| GND | M13 |
| GND | M14 |
| GND | M15 |
| GND | M16 |
| GND | M17 |
| GND | M18 |
| GND | M19 |
| GND | N1 |
| GND | N12 |
| GND | N13 |
| GND | N14 |
| GND | N15 |
| GND | N16 |
| GND | N17 |
| GND | N18 |
| GND | N19 |
| GND | N30 |
| GND | P12 |
| GND | P13 |
| GND | P14 |
| GND | P15 |
| GND | P16 |
| GND | P17 |
| GND | P18 |
| GND | P19 |
| GND | R12 |
| GND | R13 |
| GND | R14 |
| GND | R15 |
| GND | R16 |
| GND | R17 |
| GND | R18 |
| GND | R19 |
| GND | R28 |
| GND | R3 |

| FG896 | |
|-----------------|------------|
| AX2000 Function | Pin Number |
| GND | T12 |
| GND | T13 |
| GND | T14 |
| GND | T15 |
| GND | T16 |
| GND | T17 |
| GND | T18 |
| GND | T19 |
| GND | T28 |
| GND | T3 |
| GND | U12 |
| GND | U13 |
| GND | U14 |
| GND | U15 |
| GND | U16 |
| GND | U17 |
| GND | U18 |
| GND | U19 |
| GND | V1 |
| GND | V12 |
| GND | V13 |
| GND | V14 |
| GND | V15 |
| GND | V16 |
| GND | V17 |
| GND | V18 |
| GND | V19 |
| GND | V30 |
| GND | W12 |
| GND | W13 |
| GND | W14 |
| GND | W15 |
| GND | W16 |
| GND | W17 |
| GND | W18 |

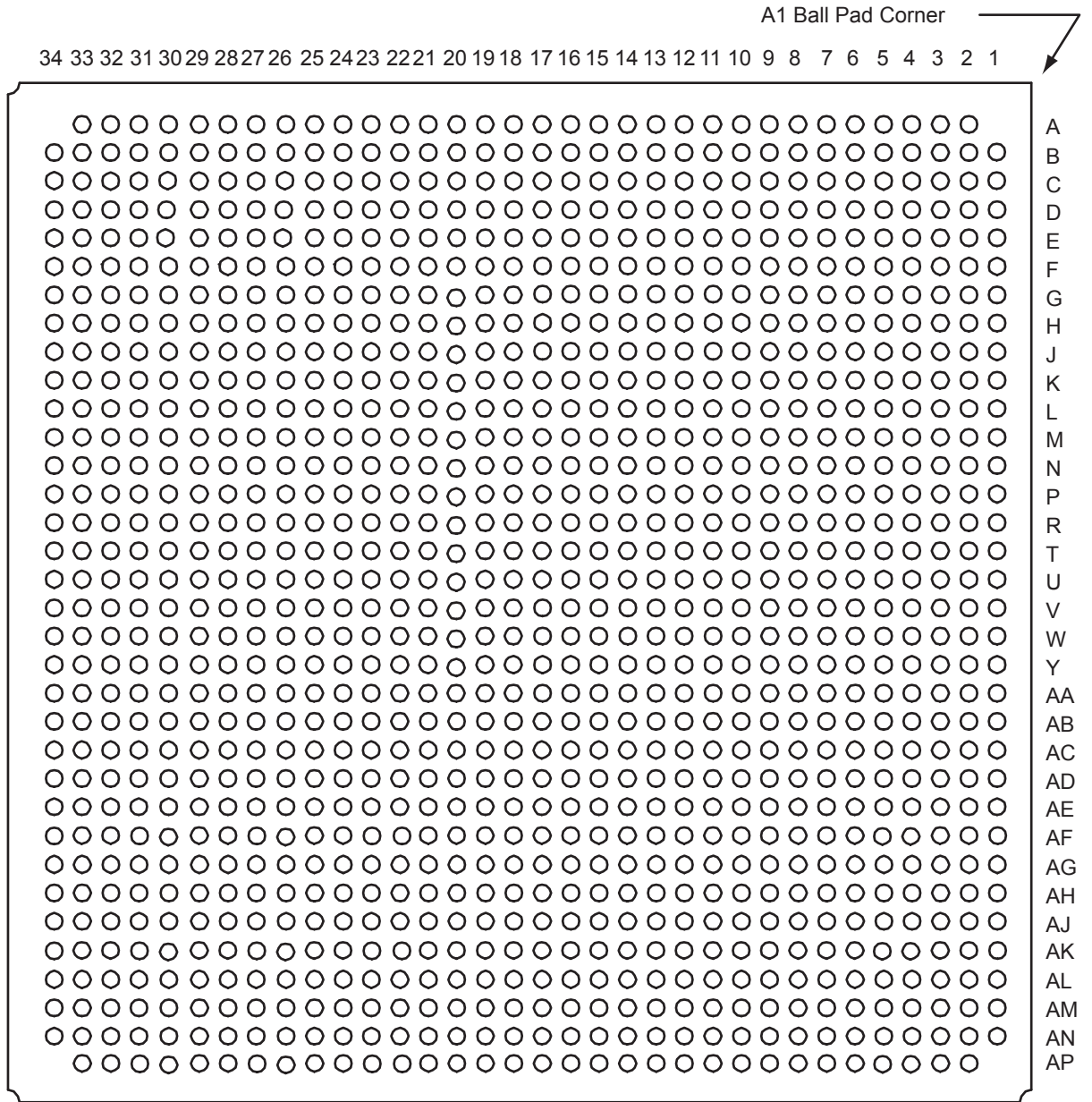
| FG896 | | FG896 | | FG896 | |
|-----------------|------------|-----------------|------------|-----------------|------------|
| AX2000 Function | Pin Number | AX2000 Function | Pin Number | AX2000 Function | Pin Number |
| GND | W19 | VCCA | U11 | VCCDA | G16 |
| GND | Y11 | VCCA | U20 | VCCDA | T25 |
| GND | Y20 | VCCA | V11 | VCCDA | T4 |
| GND/LP | E4 | VCCA | V20 | VCCIB0 | A3 |
| PRA | G15 | VCCA | W11 | VCCIB0 | B3 |
| PRB | D16 | VCCA | W20 | VCCIB0 | J10 |
| PRC | AB16 | VCCA | Y12 | VCCIB0 | J11 |
| PRD | AF16 | VCCA | Y13 | VCCIB0 | J12 |
| TCK | G7 | VCCA | Y14 | VCCIB0 | K11 |
| TDI | D5 | VCCA | Y15 | VCCIB0 | K12 |
| TDO | J8 | VCCA | Y16 | VCCIB0 | K13 |
| TMS | F6 | VCCA | Y17 | VCCIB0 | K14 |
| TRST | C4 | VCCA | Y18 | VCCIB0 | K15 |
| VCCA | AD6 | VCCA | Y19 | VCCIB1 | A28 |
| VCCA | AH26 | VCCDA | AD24 | VCCIB1 | B28 |
| VCCA | E28 | VCCDA | AD7 | VCCIB1 | J19 |
| VCCA | E3 | VCCDA | AE15 | VCCIB1 | J20 |
| VCCA | L12 | VCCDA | AE16 | VCCIB1 | J21 |
| VCCA | L13 | VCCDA | AF12 | VCCIB1 | K16 |
| VCCA | L14 | VCCDA | AF13 | VCCIB1 | K17 |
| VCCA | L15 | VCCDA | AF15 | VCCIB1 | K18 |
| VCCA | L16 | VCCDA | AF18 | VCCIB1 | K19 |
| VCCA | L17 | VCCDA | AF19 | VCCIB1 | K20 |
| VCCA | L18 | VCCDA | AH27 | VCCIB2 | C29 |
| VCCA | L19 | VCCDA | AH4 | VCCIB2 | C30 |
| VCCA | M11 | VCCDA | C13 | VCCIB2 | K22 |
| VCCA | M20 | VCCDA | C27 | VCCIB2 | L21 |
| VCCA | N11 | VCCDA | C5 | VCCIB2 | L22 |
| VCCA | N20 | VCCDA | D13 | VCCIB2 | M21 |
| VCCA | P11 | VCCDA | D19 | VCCIB2 | M22 |
| VCCA | P20 | VCCDA | D3 | VCCIB2 | N21 |
| VCCA | R11 | VCCDA | E18 | VCCIB2 | P21 |
| VCCA | R20 | VCCDA | F15 | VCCIB2 | R21 |
| VCCA | T11 | VCCDA | F16 | VCCIB3 | AA22 |
| VCCA | T20 | VCCDA | F26 | VCCIB3 | AH29 |

Note: *Not routed on the same package layer and to adjacent LGA pads as its differential pair complement. Recommended to be used as a single-ended I/O.

| FG896 | |
|-----------------|------------|
| AX2000 Function | Pin Number |
| VCCIB3 | AH30 |
| VCCIB3 | T21 |
| VCCIB3 | U21 |
| VCCIB3 | V21 |
| VCCIB3 | W21 |
| VCCIB3 | W22 |
| VCCIB3 | Y21 |
| VCCIB3 | Y22 |
| VCCIB4 | AA16 |
| VCCIB4 | AA17 |
| VCCIB4 | AA18 |
| VCCIB4 | AA19 |
| VCCIB4 | AA20 |
| VCCIB4 | AB19 |
| VCCIB4 | AB20 |
| VCCIB4 | AB21 |
| VCCIB4 | AJ28 |
| VCCIB4 | AK28 |
| VCCIB5 | AA11 |
| VCCIB5 | AA12 |
| VCCIB5 | AA13 |
| VCCIB5 | AA14 |
| VCCIB5 | AA15 |
| VCCIB5 | AB10 |
| VCCIB5 | AB11 |
| VCCIB5 | AB12 |
| VCCIB5 | AJ3 |
| VCCIB5 | AK3 |
| VCCIB6 | AA9 |
| VCCIB6 | AH1 |
| VCCIB6 | AH2 |
| VCCIB6 | T10 |
| VCCIB6 | U10 |
| VCCIB6 | V10 |
| VCCIB6 | W10 |

| FG896 | |
|-----------------|------------|
| AX2000 Function | Pin Number |
| VCCIB6 | W9 |
| VCCIB6 | Y10 |
| VCCIB6 | Y9 |
| VCCIB7 | C1 |
| VCCIB7 | C2 |
| VCCIB7 | K9 |
| VCCIB7 | L10 |
| VCCIB7 | L9 |
| VCCIB7 | M10 |
| VCCIB7 | M9 |
| VCCIB7 | N10 |
| VCCIB7 | P10 |
| VCCIB7 | R10 |
| VCCPLA | G14 |
| VCCPLB | H15 |
| VCCPLC | G17 |
| VCCPLD | J16 |
| VCCPLE | AH17 |
| VCCPLF | AC16 |
| VCCPLG | AH14 |
| VCCPLH | AD15 |
| VCOMPLA | F14 |
| VCOMPLB | J15 |
| VCOMPLC | F17 |
| VCOMPLD | H16 |
| VCOMPLE | AF17 |
| VCOMPLF | AD16 |
| VCOMPLG | AF14 |
| VCOMPLH | AB15 |
| VPUMP | G24 |

FG1152



Note

For Package Manufacturing and Environmental information, visit Resource center at <http://www.microsemi.com/soc/products/rescenter/package/index.html>.

| FG1152 | | FG1152 | | FG1152 | |
|-----------------|------------|-----------------|------------|------------------|------------|
| AX2000 Function | Pin Number | AX2000 Function | Pin Number | AX2000 Function | Pin Number |
| Bank 0 | | IO17NB0F1 | F12 | IO34PB0F3 | D14 |
| IO00NB0F0 | D6 | IO17PB0F1 | F11 | IO35NB0F3 | A15 |
| IO00PB0F0 | C6 | IO18NB0F1 | E11 | IO35PB0F3 | B15 |
| IO01NB0F0 | H10 | IO18PB0F1 | E10 | IO36NB0F3 | B16 |
| IO01PB0F0 | H9 | IO19NB0F1 | F13 | IO36PB0F3 | A16 |
| IO02NB0F0 | F8 | IO19PB0F1 | G13 | IO37NB0F3 | G16 |
| IO02PB0F0 | G8 | IO20NB0F1 | A10 | IO37PB0F3 | G15 |
| IO03NB0F0 | A6 | IO20PB0F1 | A9 | IO38NB0F3 | D16 |
| IO03PB0F0 | B6 | IO21NB0F1 | K14 | IO38PB0F3 | C16 |
| IO04NB0F0 | C7 | IO21PB0F1 | K13 | IO39NB0F3 | K16 |
| IO04PB0F0 | D7 | IO22NB0F2 | B11 | IO39PB0F3 | L16 |
| IO05NB0F0 | K10 | IO22PB0F2 | B10 | IO40NB0F3 | D17 |
| IO05PB0F0 | J10 | IO23NB0F2 | C12 | IO40PB0F3 | C17 |
| IO06NB0F0 | F9 | IO23PB0F2 | C11 | IO41NB0F3/HCLKAN | E16 |
| IO06PB0F0 | G9 | IO24NB0F2 | A12 | IO41PB0F3/HCLKAP | F16 |
| IO07NB0F0 | F10 | IO24PB0F2 | A11 | IO42NB0F3/HCLKBN | G17 |
| IO07PB0F0 | G10 | IO25NB0F2 | H14 | IO42PB0F3/HCLKBP | F17 |
| IO08NB0F0 | E9 | IO25PB0F2 | J14 | Bank 1 | |
| IO08PB0F0 | E8 | IO26NB0F2 | D13 | IO43NB1F4/HCLKCN | G19 |
| IO09NB0F0 | J11 | IO26PB0F2 | D12 | IO43PB1F4/HCLKCP | G18 |
| IO09PB0F0 | K11 | IO27NB0F2 | F14 | IO44NB1F4/HCLKDN | E19 |
| IO10NB0F0 | C8 | IO27PB0F2 | G14 | IO44PB1F4/HCLKDP | F19 |
| IO10PB0F0 | D8 | IO28NB0F2 | E14 | IO45NB1F4 | C18 |
| IO11NB0F0 | K12 | IO28PB0F2 | E13 | IO45PB1F4 | D18 |
| IO11PB0F0 | J12 | IO29NB0F2 | B13 | IO46NB1F4 | A18 |
| IO12NB0F1 | G11 | IO29PB0F2 | B12 | IO46PB1F4 | B18 |
| IO12PB0F1 | H11 | IO30NB0F2 | C14 | IO47NB1F4 | K19 |
| IO13NB0F1 | G12 | IO30PB0F2 | C13 | IO47PB1F4 | L19 |
| IO13PB0F1 | H12 | IO31NB0F2 | H15 | IO48NB1F4 | C19 |
| IO14NB0F1 | A7 | IO31PB0F2 | J15 | IO48PB1F4 | D19 |
| IO14PB0F1 | B7 | IO32NB0F2 | A14 | IO49NB1F4 | K20 |
| IO15NB0F1 | H13 | IO32PB0F2 | B14 | IO49PB1F4 | L20 |
| IO15PB0F1 | J13 | IO33NB0F2 | K15 | IO50NB1F4 | A19 |
| IO16NB0F1 | C9 | IO33PB0F2 | L15 | IO50PB1F4 | B19 |
| IO16PB0F1 | D9 | IO34NB0F3 | D15 | IO51NB1F4 | H20 |

| FG1152 | |
|-----------------|------------|
| AX2000 Function | Pin Number |
| IO51PB1F4 | J20 |
| IO52NB1F4 | B20 |
| IO52PB1F4 | A20 |
| IO53NB1F4 | F20 |
| IO53PB1F4 | E20 |
| IO54NB1F5 | B21 |
| IO54PB1F5 | A21 |
| IO55NB1F5 | K21 |
| IO55PB1F5 | J21 |
| IO56NB1F5 | D21 |
| IO56PB1F5 | C21 |
| IO57NB1F5 | G22 |
| IO57PB1F5 | G21 |
| IO58NB1F5 | E22 |
| IO58PB1F5 | E21 |
| IO59NB1F5 | D22 |
| IO59PB1F5 | C22 |
| IO60NB1F5 | B23 |
| IO60PB1F5 | A23 |
| IO61NB1F5 | H22 |
| IO61PB1F5 | H21 |
| IO62NB1F5 | C24 |
| IO62PB1F5 | C23 |
| IO63NB1F5 | F23 |
| IO63PB1F5 | F22 |
| IO64NB1F6 | B24 |
| IO64PB1F6 | A24 |
| IO65NB1F6 | J22 |
| IO65PB1F6 | K22 |
| IO66NB1F6 | B25 |
| IO66PB1F6 | A25 |
| IO67NB1F6 | K23 |
| IO67PB1F6 | J23 |
| IO68NB1F6 | F24 |
| IO68PB1F6 | E24 |

| FG1152 | |
|-----------------|------------|
| AX2000 Function | Pin Number |
| IO69NB1F6 | C27 |
| IO69PB1F6 | C26 |
| IO70NB1F6 | H24 |
| IO70PB1F6 | G24 |
| IO71NB1F6 | H23 |
| IO71PB1F6 | G23 |
| IO72NB1F6 | B28 |
| IO72PB1F6 | A28 |
| IO73NB1F6 | E26 |
| IO73PB1F6 | E25 |
| IO74NB1F6 | F26 |
| IO74PB1F6 | F25 |
| IO75NB1F6 | K25 |
| IO75PB1F6 | K24 |
| IO76NB1F7 | D27 |
| IO76PB1F7 | D26 |
| IO77NB1F7 | B29 |
| IO77PB1F7 | A29 |
| IO78NB1F7 | D28 |
| IO78PB1F7 | C28 |
| IO79NB1F7 | H25 |
| IO79PB1F7 | G25 |
| IO80NB1F7 | F27 |
| IO80PB1F7 | E27 |
| IO81NB1F7 | J25 |
| IO81PB1F7 | J24 |
| IO82NB1F7 | D29 |
| IO82PB1F7 | C29 |
| IO83NB1F7 | H26 |
| IO83PB1F7 | G26 |
| IO84NB1F7 | F28 |
| IO84PB1F7 | E28 |
| IO85NB1F7 | H27 |
| IO85PB1F7 | G27 |
| Bank 2 | |

| FG1152 | |
|-----------------|------------|
| AX2000 Function | Pin Number |
| IO86NB2F8 | J28 |
| IO86PB2F8 | J27 |
| IO87NB2F8 | M25 |
| IO87PB2F8 | L25 |
| IO88NB2F8 | L26 |
| IO88PB2F8 | K26 |
| IO89NB2F8 | G31 |
| IO89PB2F8 | F31 |
| IO90NB2F8 | H29 |
| IO90PB2F8 | G29 |
| IO91NB2F8 | K28 |
| IO91PB2F8 | K27 |
| IO92NB2F8 | J30 |
| IO92PB2F8 | H30 |
| IO93NB2F8 | L28 |
| IO93PB2F8 | L27 |
| IO94NB2F8 | K29 |
| IO94PB2F8 | J29 |
| IO95NB2F8 | K31 |
| IO95PB2F8 | J31 |
| IO96NB2F9 | J32 |
| IO96PB2F9 | H32 |
| IO97NB2F9 | M27 |
| IO97PB2F9 | M26 |
| IO98NB2F9 | L30 |
| IO98PB2F9 | K30 |
| IO99NB2F9 | N25 |
| IO99PB2F9 | N26 |
| IO100NB2F9 | M29 |
| IO100PB2F9 | L29 |
| IO101NB2F9 | L33 |
| IO101PB2F9 | L32 |
| IO102NB2F9 | K34 |
| IO102PB2F9 | K33 |
| IO103NB2F9 | N28 |

| FG1152 | | FG1152 | | FG1152 | |
|-----------------|------------|-----------------|------------|-----------------|------------|
| AX2000 Function | Pin Number | AX2000 Function | Pin Number | AX2000 Function | Pin Number |
| IO103PB2F9 | M28 | IO121NB2F11 | T27 | IO138NB3F12 | Y29 |
| IO104NB2F9 | M34 | IO121PB2F11 | T26 | IO138PB3F12 | W29 |
| IO104PB2F9 | L34 | IO122NB2F11 | T30 | IO139NB3F13 | Y27 |
| IO105NB2F9 | P27 | IO122PB2F11 | T29 | IO139PB3F13 | W27 |
| IO105PB2F9 | N27 | IO123NB2F11 | U28 | IO140NB3F13 | AA33 |
| IO106NB2F9 | M32 | IO123PB2F11 | T28 | IO140PB3F13 | Y33 |
| IO106PB2F9 | M31 | IO124NB2F11 | T31 | IO141NB3F13 | Y25 |
| IO107NB2F10 | P25 | IO124PB2F11 | T32 | IO141PB3F13 | Y24 |
| IO107PB2F10 | P26 | IO125NB2F11 | U24 | IO142NB3F13 | AA31 |
| IO108NB2F10 | N33 | IO125PB2F11 | U25 | IO142PB3F13 | Y31 |
| IO108PB2F10 | M33 | IO126NB2F11 | U33 | IO143NB3F13 | AA28 |
| IO109NB2F10 | P29 | IO126PB2F11 | U34 | IO143PB3F13 | Y28 |
| IO109PB2F10 | N29 | IO127NB2F11 | U26 | IO144NB3F13 | AA34 |
| IO110NB2F10 | P30 | IO127PB2F11 | U27 | IO144PB3F13 | Y34 |
| IO110PB2F10 | N30 | IO128NB2F11 | U31 | IO145NB3F13 | AA26 |
| IO111NB2F10 | R24 | IO128PB2F11 | U32 | IO145PB3F13 | Y26 |
| IO111PB2F10 | R25 | Bank 3 | | IO146NB3F13 | AA29 |
| IO112NB2F10 | P31 | IO129NB3F12 | V29 | IO146PB3F13 | AA30 |
| IO112PB2F10 | N31 | IO129PB3F12 | U29 | IO147NB3F13 | AB30 |
| IO113NB2F10 | R28 | IO130NB3F12 | V31 | IO147PB3F13 | AB29 |
| IO113PB2F10 | P28 | IO130PB3F12 | V32 | IO148NB3F13 | AB32 |
| IO114NB2F10 | P32 | IO131NB3F12 | V24 | IO148PB3F13 | AA32 |
| IO114PB2F10 | N32 | IO131PB3F12 | V25 | IO149NB3F13 | AB27 |
| IO115NB2F10 | R30 | IO132NB3F12 | W28 | IO149PB3F13 | AA27 |
| IO115PB2F10 | R29 | IO132PB3F12 | V28 | IO150NB3F14 | AC31 |
| IO116NB2F10 | P34 | IO133NB3F12 | W26 | IO150PB3F14 | AB31 |
| IO116PB2F10 | P33 | IO133PB3F12 | V26 | IO151NB3F14 | AD33 |
| IO117NB2F10 | R27 | IO134NB3F12 | W33 | IO151PB3F14 | AC33 |
| IO117PB2F10 | R26 | IO134PB3F12 | V33 | IO152NB3F14 | AC28 |
| IO118NB2F11 | R34 | IO135NB3F12 | W25 | IO152PB3F14 | AB28 |
| IO118PB2F11 | R33 | IO135PB3F12 | W24 | IO153NB3F14 | AB25 |
| IO119NB2F11 | T24 | IO136NB3F12 | W31 | IO153PB3F14 | AA25 |
| IO119PB2F11 | T25 | IO136PB3F12 | W32 | IO154NB3F14 | AD32 |
| IO120NB2F11 | T33 | IO137NB3F12 | Y30 | IO154PB3F14 | AC32 |
| IO120PB2F11 | T34 | IO137PB3F12 | W30 | IO155NB3F14 | AD29 |

| FG1152 | | FG1152 | | FG1152 | |
|-----------------|------------|-----------------|------------|-----------------|------------|
| AX2000 Function | Pin Number | AX2000 Function | Pin Number | AX2000 Function | Pin Number |
| IO155PB3F14 | AC29 | IO172PB4F16 | AH27 | IO190NB4F17 | AH22 |
| IO156NB3F14 | AE30 | IO173NB4F16 | AJ27 | IO190PB4F17 | AH23 |
| IO156PB3F14 | AD30 | IO173PB4F16 | AJ28 | IO191NB4F17 | AJ23 |
| IO157NB3F14 | AC26 | IO174NB4F16 | AL27 | IO191PB4F17 | AJ24 |
| IO157PB3F14 | AB26 | IO174PB4F16 | AL28 | IO192NB4F17 | AG21 |
| IO158NB3F14 | AH33 | IO175NB4F16 | AM28 | IO192PB4F17 | AG22 |
| IO158PB3F14 | AG33 | IO175PB4F16 | AM29 | IO193NB4F18 | AP23 |
| IO159NB3F14 | AD27 | IO176NB4F16 | AG25 | IO193PB4F18 | AP24 |
| IO159PB3F14 | AC27 | IO176PB4F16 | AG26 | IO194NB4F18 | AN22 |
| IO160NB3F14 | AG32 | IO177NB4F16 | AK26 | IO194PB4F18 | AN23 |
| IO160PB3F14 | AF32 | IO177PB4F16 | AK27 | IO195NB4F18 | AM23 |
| IO161NB3F15 | AG31 | IO178NB4F16 | AF25 | IO195PB4F18 | AL23 |
| IO161PB3F15 | AF31 | IO178PB4F16 | AE25 | IO196NB4F18 | AF21 |
| IO162NB3F15 | AF29 | IO179NB4F16 | AP28 | IO196PB4F18 | AF22 |
| IO162PB3F15 | AE29 | IO179PB4F16 | AN28 | IO197NB4F18 | AL22 |
| IO163NB3F15 | AE28 | IO180NB4F16 | AJ25 | IO197PB4F18 | AM22 |
| IO163PB3F15 | AD28 | IO180PB4F16 | AJ26 | IO198NB4F18 | AE21 |
| IO164NB3F15 | AG30 | IO181NB4F17 | AM26 | IO198PB4F18 | AE22 |
| IO164PB3F15 | AF30 | IO181PB4F17 | AM27 | IO199NB4F18 | AJ21 |
| IO165NB3F15 | AE26 | IO182NB4F17 | AF24 | IO199PB4F18 | AJ22 |
| IO165PB3F15 | AD26 | IO182PB4F17 | AE24 | IO200NB4F18 | AK21 |
| IO166NB3F15 | AJ30 | IO183NB4F17 | AH24 | IO200PB4F18 | AK22 |
| IO166PB3F15 | AH30 | IO183PB4F17 | AH25 | IO201NB4F18 | AM21 |
| IO167NB3F15 | AG28 | IO184NB4F17 | AG23 | IO201PB4F18 | AL21 |
| IO167PB3F15 | AF28 | IO184PB4F17 | AG24 | IO202NB4F18 | AE20 |
| IO168NB3F15 | AF27 | IO185NB4F17 | AL25 | IO202PB4F18 | AD20 |
| IO168PB3F15 | AE27 | IO185PB4F17 | AL26 | IO203NB4F19 | AN21 |
| IO169NB3F15 | AH29 | IO186NB4F17 | AP25 | IO203PB4F19 | AP21 |
| IO169PB3F15 | AG29 | IO186PB4F17 | AP26 | IO204NB4F19 | AP20 |
| IO170NB3F15 | AD25 | IO187NB4F17 | AK24 | IO204PB4F19 | AN20 |
| IO170PB3F15 | AC25 | IO187PB4F17 | AK25 | IO205NB4F19 | AN19 |
| Bank 4 | | IO188NB4F17 | AF23 | IO205PB4F19 | AP19 |
| IO171NB4F16 | AP29 | IO188PB4F17 | AE23 | IO206NB4F19 | AG20 |
| IO171PB4F16 | AN29 | IO189NB4F17 | AN24 | IO206PB4F19 | AF20 |
| IO172NB4F16 | AH26 | IO189PB4F17 | AM24 | IO207NB4F19 | AL19 |

| FG1152 | | FG1152 | | FG1152 | |
|-------------------|------------|-----------------|------------|-----------------|------------|
| AX2000 Function | Pin Number | AX2000 Function | Pin Number | AX2000 Function | Pin Number |
| IO207PB4F19 | AL20 | IO224PB5F21 | AP14 | IO242NB5F22 | AG11 |
| IO208NB4F19 | AG19 | IO225NB5F21 | AK13 | IO242PB5F22 | AG12 |
| IO208PB4F19 | AF19 | IO225PB5F21 | AK14 | IO243NB5F22 | AL9 |
| IO209NB4F19 | AN18 | IO226NB5F21 | AE15 | IO243PB5F22 | AL10 |
| IO209PB4F19 | AP18 | IO226PB5F21 | AF15 | IO244NB5F22 | AM8 |
| IO210NB4F19 | AE19 | IO227NB5F21 | AG14 | IO244PB5F22 | AM9 |
| IO210PB4F19 | AD19 | IO227PB5F21 | AG15 | IO245NB5F23 | AH10 |
| IO211NB4F19 | AL18 | IO228NB5F21 | AJ13 | IO245PB5F23 | AJ10 |
| IO211PB4F19 | AM18 | IO228PB5F21 | AJ14 | IO246NB5F23 | AF10 |
| IO212NB4F19/CLKEN | AJ20 | IO229NB5F21 | AM13 | IO246PB5F23 | AF11 |
| IO212PB4F19/CLKEP | AK20 | IO229PB5F21 | AM14 | IO247NB5F23 | AJ9 |
| IO213NB4F19/CLKFN | AJ18 | IO230NB5F21 | AE14 | IO247PB5F23 | AK9 |
| IO213PB4F19/CLKFP | AJ19 | IO230PB5F21 | AF14 | IO248NB5F23 | AN7 |
| Bank 5 | | IO231NB5F21 | AN12 | IO248PB5F23 | AP7 |
| IO214NB5F20/CLKGN | AJ16 | IO231PB5F21 | AP12 | IO249NB5F23 | AL7 |
| IO214PB5F20/CLKGP | AJ17 | IO232NB5F21 | AG13 | IO249PB5F23 | AL8 |
| IO215NB5F20/CLKHN | AJ15 | IO232PB5F21 | AH13 | IO250NB5F23 | AE10 |
| IO215PB5F20/CLKHP | AK15 | IO233NB5F21 | AL12 | IO250PB5F23 | AE11 |
| IO216NB5F20 | AD16 | IO233PB5F21 | AL13 | IO251NB5F23 | AK8 |
| IO216PB5F20 | AE17 | IO234NB5F21 | AE13 | IO251PB5F23 | AJ8 |
| IO217NB5F20 | AM17 | IO234PB5F21 | AF13 | IO252NB5F23 | AH8 |
| IO217PB5F20 | AL17 | IO235NB5F22 | AN11 | IO252PB5F23 | AH9 |
| IO218NB5F20 | AG16 | IO235PB5F22 | AP11 | IO253NB5F23 | AN6 |
| IO218PB5F20 | AF16 | IO236NB5F22 | AM11 | IO253PB5F23 | AP6 |
| IO219NB5F20 | AM16 | IO236PB5F22 | AM12 | IO254NB5F23 | AG9 |
| IO219PB5F20 | AL16 | IO237NB5F22 | AJ11 | IO254PB5F23 | AG10 |
| IO220NB5F20 | AP16 | IO237PB5F22 | AJ12 | IO255NB5F23 | AJ7 |
| IO220PB5F20 | AN16 | IO238NB5F22 | AH11 | IO255PB5F23 | AK7 |
| IO221NB5F20 | AN15 | IO238PB5F22 | AH12 | IO256NB5F23 | AL6 |
| IO221PB5F20 | AP15 | IO239NB5F22 | AK10 | IO256PB5F23 | AM6 |
| IO222NB5F20 | AD15 | IO239PB5F22 | AK11 | Bank 6 | |
| IO222PB5F20 | AE16 | IO240NB5F22 | AE12 | IO257NB6F24 | AG6 |
| IO223NB5F21 | AL14 | IO240PB5F22 | AF12 | IO257PB6F24 | AH6 |
| IO223PB5F21 | AL15 | IO241NB5F22 | AN10 | IO258NB6F24 | AD9 |
| IO224NB5F21 | AN14 | IO241PB5F22 | AP10 | IO258PB6F24 | AE9 |

| FG1152 | |
|-----------------|------------|
| AX2000 Function | Pin Number |
| IO259NB6F24 | AF7 |
| IO259PB6F24 | AG7 |
| IO260NB6F24 | AH3 |
| IO260PB6F24 | AH4 |
| IO261NB6F24 | AH5 |
| IO261PB6F24 | AJ5 |
| IO262NB6F24 | AE6 |
| IO262PB6F24 | AF6 |
| IO263NB6F24 | AF5 |
| IO263PB6F24 | AG5 |
| IO264NB6F24 | AD8 |
| IO264PB6F24 | AE8 |
| IO265NB6F24 | AF3 |
| IO265PB6F24 | AG3 |
| IO266NB6F24 | AC10 |
| IO266PB6F24 | AD10 |
| IO267NB6F25 | AD7 |
| IO267PB6F25 | AE7 |
| IO268NB6F25 | AD5 |
| IO268PB6F25 | AE5 |
| IO269NB6F25 | AE4 |
| IO269PB6F25 | AF4 |
| IO270NB6F25 | AB9 |
| IO270PB6F25 | AC9 |
| IO271NB6F25 | AC6 |
| IO271PB6F25 | AD6 |
| IO272NB6F25 | AB8 |
| IO272PB6F25 | AC8 |
| IO273NB6F25 | AE1 |
| IO273PB6F25 | AE2 |
| IO274NB6F25 | AA10 |
| IO274PB6F25 | AB10 |
| IO275NB6F25 | AB7 |
| IO275PB6F25 | AC7 |
| IO276NB6F25 | AD1 |

| FG1152 | |
|-----------------|------------|
| AX2000 Function | Pin Number |
| IO276PB6F25 | AD2 |
| IO277NB6F25 | AC4 |
| IO277PB6F25 | AC3 |
| IO278NB6F26 | AA8 |
| IO278PB6F26 | AA9 |
| IO279NB6F26 | AB5 |
| IO279PB6F26 | AB6 |
| IO280NB6F26 | Y10 |
| IO280PB6F26 | Y11 |
| IO281NB6F26 | AB3 |
| IO281PB6F26 | AB4 |
| IO282NB6F26 | Y7 |
| IO282PB6F26 | AA7 |
| IO283NB6F26 | AC2 |
| IO283PB6F26 | AC1 |
| IO284NB6F26 | Y9 |
| IO284PB6F26 | Y8 |
| IO285NB6F26 | AA5 |
| IO285PB6F26 | AA6 |
| IO286NB6F26 | W10 |
| IO286PB6F26 | W11 |
| IO287NB6F26 | AA3 |
| IO287PB6F26 | AA4 |
| IO288NB6F26 | W9 |
| IO288PB6F26 | W8 |
| IO289NB6F27 | AA1 |
| IO289PB6F27 | AA2 |
| IO290NB6F27 | W6 |
| IO290PB6F27 | Y6 |
| IO291NB6F27 | W5 |
| IO291PB6F27 | Y5 |
| IO292NB6F27 | V7 |
| IO292PB6F27 | W7 |
| IO293NB6F27 | W4 |
| IO293PB6F27 | Y4 |

| FG1152 | |
|-----------------|------------|
| AX2000 Function | Pin Number |
| IO294NB6F27 | V10 |
| IO294PB6F27 | V11 |
| IO295NB6F27 | Y1 |
| IO295PB6F27 | Y2 |
| IO296NB6F27 | W1 |
| IO296PB6F27 | W2 |
| IO297NB6F27 | V1 |
| IO297PB6F27 | V2 |
| IO298NB6F27 | V9 |
| IO298PB6F27 | V8 |
| IO299NB6F27 | U4 |
| IO299PB6F27 | V4 |
| Bank 7 | |
| IO300NB7F28 | U10 |
| IO300PB7F28 | U11 |
| IO301NB7F28 | U2 |
| IO301PB7F28 | U1 |
| IO302NB7F28 | U6 |
| IO302PB7F28 | U7 |
| IO303NB7F28 | T3 |
| IO303PB7F28 | U3 |
| IO304NB7F28 | U9 |
| IO304PB7F28 | U8 |
| IO305NB7F28 | R2 |
| IO305PB7F28 | R1 |
| IO306NB7F28 | R4 |
| IO306PB7F28 | T4 |
| IO307NB7F28 | R5 |
| IO307PB7F28 | T5 |
| IO308NB7F28 | T11 |
| IO308PB7F28 | T10 |
| IO309NB7F28 | T6 |
| IO309PB7F28 | T7 |
| IO310NB7F29 | T9 |
| IO310PB7F29 | T8 |

| FG1152 | | FG1152 | | FG1152 | |
|-----------------|------------|----------------------|------------|-----------------|------------|
| AX2000 Function | Pin Number | AX2000 Function | Pin Number | AX2000 Function | Pin Number |
| IO311NB7F29 | N3 | IO328PB7F30 | N9 | GND | A33 |
| IO311PB7F29 | P3 | IO329NB7F30 | J4 | GND | A4 |
| IO312NB7F29 | P7 | IO329PB7F30 | K4 | GND | A8 |
| IO312PB7F29 | R7 | IO330NB7F30 | J5 | GND | AA14 |
| IO313NB7F29 | P6 | IO330PB7F30 | K5 | GND | AA15 |
| IO313PB7F29 | R6 | IO331NB7F30 | M10 | GND | AA16 |
| IO314NB7F29 | M2 | IO331PB7F30 | M9 | GND | AA17 |
| IO314PB7F29 | N2 | IO332NB7F31 | L8 | GND | AA18 |
| IO315NB7F29 | N4 | IO332PB7F31 | M8 | GND | AA19 |
| IO315PB7F29 | P4 | IO333NB7F31 | F2 | GND | AA20 |
| IO316NB7F29 | R9 | IO333PB7F31 | F1 | GND | AA21 |
| IO316PB7F29 | R8 | IO334NB7F31 | J6 | GND | AB1 |
| IO317NB7F29 | N5 | IO334PB7F31 | K6 | GND | AB13 |
| IO317PB7F29 | P5 | IO335NB7F31 | H4 | GND | AB22 |
| IO318NB7F29 | R10 | IO335PB7F31 | H3 | GND | AB34 |
| IO318PB7F29 | R11 | IO336NB7F31 | K7 | GND | AC12 |
| IO319NB7F29 | L2 | IO336PB7F31 | L7 | GND | AC23 |
| IO319PB7F29 | L1 | IO337NB7F31 | G4 | GND | AC30 |
| IO320NB7F29 | N8 | IO337PB7F31 | G3 | GND | AC5 |
| IO320PB7F29 | P8 | IO338NB7F31 | K9 | GND | AD11 |
| IO321NB7F30 | M6 | IO338PB7F31 | L9 | GND | AD24 |
| IO321PB7F30 | N6 | IO339NB7F31 | H6 | GND | AD31 |
| IO322NB7F30 | P10 | IO339PB7F31 | H5 | GND | AD4 |
| IO322PB7F30 | P9 | IO340NB7F31 | H7 | GND | AE3 |
| IO323NB7F30 | L3 | IO340PB7F31 | J7 | GND | AE32 |
| IO323PB7F30 | M3 | IO341NB7F31 | J8 | GND | AF2 |
| IO324NB7F30 | M7 | IO341PB7F31 | K8 | GND | AF33 |
| IO324PB7F30 | N7 | Dedicated I/O | | GND | AG1 |
| IO325NB7F30 | K2 | GND | A13 | GND | AG27 |
| IO325PB7F30 | K1 | GND | A2 | GND | AG34 |
| IO326NB7F30 | G2 | GND | A22 | GND | AG8 |
| IO326PB7F30 | H2 | GND | A27 | GND | AH28 |
| IO327NB7F30 | L6 | GND | A3 | GND | AH7 |
| IO327PB7F30 | L5 | GND | A31 | GND | AJ29 |
| IO328NB7F30 | N10 | GND | A32 | GND | AJ6 |

| FG1152 | |
|-----------------|------------|
| AX2000 Function | Pin Number |
| GND | AK12 |
| GND | AK17 |
| GND | AK18 |
| GND | AK23 |
| GND | AK30 |
| GND | AK5 |
| GND | AL1 |
| GND | AL11 |
| GND | AL2 |
| GND | AL24 |
| GND | AL3 |
| GND | AL31 |
| GND | AL32 |
| GND | AL33 |
| GND | AL34 |
| GND | AL4 |
| GND | AM1 |
| GND | AM10 |
| GND | AM15 |
| GND | AM2 |
| GND | AM20 |
| GND | AM25 |
| GND | AM3 |
| GND | AM31 |
| GND | AM32 |
| GND | AM33 |
| GND | AM34 |
| GND | AM4 |
| GND | AN1 |
| GND | AN2 |
| GND | AN26 |
| GND | AN3 |
| GND | AN31 |
| GND | AN32 |
| GND | AN33 |

| FG1152 | |
|-----------------|------------|
| AX2000 Function | Pin Number |
| GND | AN34 |
| GND | AN4 |
| GND | AN9 |
| GND | AP13 |
| GND | AP2 |
| GND | AP22 |
| GND | AP27 |
| GND | AP3 |
| GND | AP31 |
| GND | AP32 |
| GND | AP33 |
| GND | AP4 |
| GND | AP8 |
| GND | B1 |
| GND | B2 |
| GND | B26 |
| GND | B3 |
| GND | B31 |
| GND | B32 |
| GND | B33 |
| GND | B34 |
| GND | B4 |
| GND | B9 |
| GND | C1 |
| GND | C10 |
| GND | C15 |
| GND | C2 |
| GND | C20 |
| GND | C25 |
| GND | C3 |
| GND | C31 |
| GND | C32 |
| GND | C33 |
| GND | C34 |
| GND | C4 |

| FG1152 | |
|-----------------|------------|
| AX2000 Function | Pin Number |
| GND | D1 |
| GND | D11 |
| GND | D2 |
| GND | D24 |
| GND | D3 |
| GND | D31 |
| GND | D32 |
| GND | D33 |
| GND | D34 |
| GND | D4 |
| GND | E12 |
| GND | E17 |
| GND | E18 |
| GND | E23 |
| GND | E30 |
| GND | E5 |
| GND | F29 |
| GND | F30 |
| GND | F6 |
| GND | G28 |
| GND | G7 |
| GND | H1 |
| GND | H34 |
| GND | J2 |
| GND | J33 |
| GND | K3 |
| GND | K32 |
| GND | L11 |
| GND | L24 |
| GND | L31 |
| GND | L4 |
| GND | M12 |
| GND | M23 |
| GND | M30 |
| GND | M5 |

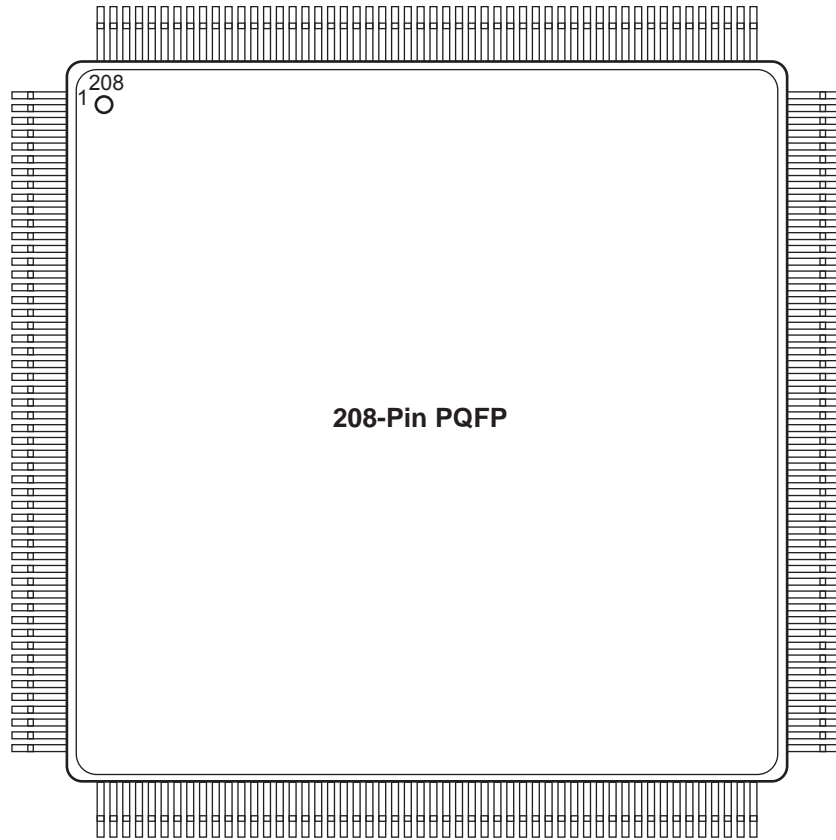
| FG1152 | | FG1152 | | FG1152 | |
|-----------------|------------|-----------------|------------|-----------------|------------|
| AX2000 Function | Pin Number | AX2000 Function | Pin Number | AX2000 Function | Pin Number |
| GND | N1 | GND | U19 | NC | A26 |
| GND | N13 | GND | U20 | NC | AB2 |
| GND | N22 | GND | U21 | NC | AB33 |
| GND | N34 | GND | U30 | NC | AC34 |
| GND | P14 | GND | U5 | NC | AD3 |
| GND | P15 | GND | V14 | NC | AD34 |
| GND | P16 | GND | V15 | NC | AE31 |
| GND | P17 | GND | V16 | NC | AE33 |
| GND | P18 | GND | V17 | NC | AE34 |
| GND | P19 | GND | V18 | NC | AF1 |
| GND | P20 | GND | V19 | NC | AF34 |
| GND | P21 | GND | V20 | NC | AG2 |
| GND | R14 | GND | V21 | NC | AG4 |
| GND | R15 | GND | V30 | NC | AH1 |
| GND | R16 | GND | V5 | NC | AH2 |
| GND | R17 | GND | W14 | NC | AH31 |
| GND | R18 | GND | W15 | NC | AH32 |
| GND | R19 | GND | W16 | NC | AH34 |
| GND | R20 | GND | W17 | NC | AJ1 |
| GND | R21 | GND | W18 | NC | AJ2 |
| GND | R3 | GND | W19 | NC | AJ3 |
| GND | R32 | GND | W20 | NC | AJ31 |
| GND | T14 | GND | W21 | NC | AJ32 |
| GND | T15 | GND | Y14 | NC | AJ33 |
| GND | T16 | GND | Y15 | NC | AJ34 |
| GND | T17 | GND | Y16 | NC | AJ4 |
| GND | T18 | GND | Y17 | NC | AL29 |
| GND | T19 | GND | Y18 | NC | AM19 |
| GND | T20 | GND | Y19 | NC | AM7 |
| GND | T21 | GND | Y20 | NC | AN13 |
| GND | U14 | GND | Y21 | NC | AN17 |
| GND | U15 | GND | Y3 | NC | AN25 |
| GND | U16 | GND | Y32 | NC | AN27 |
| GND | U17 | GND/LP | G6 | NC | AN8 |
| GND | U18 | NC | A17 | NC | AP17 |

| FG1152 | | FG1152 | | FG1152 | |
|-----------------|------------|-----------------|------------|-----------------|------------|
| AX2000 Function | Pin Number | AX2000 Function | Pin Number | AX2000 Function | Pin Number |
| NC | AP9 | PRB | F18 | VCCA | T22 |
| NC | B17 | PRC | AD18 | VCCA | U13 |
| NC | B22 | PRD | AH18 | VCCA | U22 |
| NC | B27 | TCK | J9 | VCCA | V13 |
| NC | B8 | TDI | F7 | VCCA | V22 |
| NC | D10 | TDO | L10 | VCCA | W13 |
| NC | D20 | TMS | H8 | VCCA | W22 |
| NC | D23 | TRST | E6 | VCCA | Y13 |
| NC | D25 | VCCA | AA13 | VCCA | Y22 |
| NC | F3 | VCCA | AA22 | VCCDA | AF26 |
| NC | F32 | VCCA | AB14 | VCCDA | AF9 |
| NC | F33 | VCCA | AB15 | VCCDA | AG17 |
| NC | F34 | VCCA | AB16 | VCCDA | AG18 |
| NC | F4 | VCCA | AB17 | VCCDA | AH14 |
| NC | G1 | VCCA | AB18 | VCCDA | AH15 |
| NC | G32 | VCCA | AB19 | VCCDA | AH17 |
| NC | G33 | VCCA | AB20 | VCCDA | AH20 |
| NC | G34 | VCCA | AB21 | VCCDA | AH21 |
| NC | H31 | VCCA | AF8 | VCCDA | AK29 |
| NC | H33 | VCCA | AK28 | VCCDA | AK6 |
| NC | J1 | VCCA | G30 | VCCDA | E15 |
| NC | J3 | VCCA | G5 | VCCDA | E29 |
| NC | J34 | VCCA | N14 | VCCDA | E7 |
| NC | M1 | VCCA | N15 | VCCDA | F15 |
| NC | M4 | VCCA | N16 | VCCDA | F21 |
| NC | P1 | VCCA | N17 | VCCDA | F5 |
| NC | P2 | VCCA | N18 | VCCDA | G20 |
| NC | R31 | VCCA | N19 | VCCDA | H17 |
| NC | T1 | VCCA | N20 | VCCDA | H18 |
| NC | T2 | VCCA | N21 | VCCDA | H28 |
| NC | V3 | VCCA | P13 | VCCDA | J18 |
| NC | V34 | VCCA | P22 | VCCDA | V27 |
| NC | W3 | VCCA | R13 | VCCDA | V6 |
| NC | W34 | VCCA | R22 | VCCIB0 | A5 |
| PRA | J17 | VCCA | T13 | VCCIB0 | B5 |

| FG1152 | | FG1152 | | FG1152 | |
|-----------------|------------|-----------------|------------|-----------------|------------|
| AX2000 Function | Pin Number | AX2000 Function | Pin Number | AX2000 Function | Pin Number |
| VCCIB0 | C5 | VCCIB3 | AA24 | VCCIB6 | AA11 |
| VCCIB0 | D5 | VCCIB3 | AB23 | VCCIB6 | AA12 |
| VCCIB0 | L12 | VCCIB3 | AB24 | VCCIB6 | AB11 |
| VCCIB0 | L13 | VCCIB3 | AC24 | VCCIB6 | AB12 |
| VCCIB0 | L14 | VCCIB3 | AK31 | VCCIB6 | AC11 |
| VCCIB0 | M13 | VCCIB3 | AK32 | VCCIB6 | AK1 |
| VCCIB0 | M14 | VCCIB3 | AK33 | VCCIB6 | AK2 |
| VCCIB0 | M15 | VCCIB3 | AK34 | VCCIB6 | AK3 |
| VCCIB0 | M16 | VCCIB3 | V23 | VCCIB6 | AK4 |
| VCCIB0 | M17 | VCCIB3 | W23 | VCCIB6 | V12 |
| VCCIB1 | A30 | VCCIB3 | Y23 | VCCIB6 | W12 |
| VCCIB1 | B30 | VCCIB4 | AC18 | VCCIB6 | Y12 |
| VCCIB1 | C30 | VCCIB4 | AC19 | VCCIB7 | E1 |
| VCCIB1 | D30 | VCCIB4 | AC20 | VCCIB7 | E2 |
| VCCIB1 | L21 | VCCIB4 | AC21 | VCCIB7 | E3 |
| VCCIB1 | L22 | VCCIB4 | AC22 | VCCIB7 | E4 |
| VCCIB1 | L23 | VCCIB4 | AD21 | VCCIB7 | M11 |
| VCCIB1 | M18 | VCCIB4 | AD22 | VCCIB7 | N11 |
| VCCIB1 | M19 | VCCIB4 | AD23 | VCCIB7 | N12 |
| VCCIB1 | M20 | VCCIB4 | AL30 | VCCIB7 | P11 |
| VCCIB1 | M21 | VCCIB4 | AM30 | VCCIB7 | P12 |
| VCCIB1 | M22 | VCCIB4 | AN30 | VCCIB7 | R12 |
| VCCIB2 | E31 | VCCIB4 | AP30 | VCCIB7 | T12 |
| VCCIB2 | E32 | VCCIB5 | AC13 | VCCIB7 | U12 |
| VCCIB2 | E33 | VCCIB5 | AC14 | VCCPLA | J16 |
| VCCIB2 | E34 | VCCIB5 | AC15 | VCCPLB | K17 |
| VCCIB2 | M24 | VCCIB5 | AC16 | VCCPLC | J19 |
| VCCIB2 | N23 | VCCIB5 | AC17 | VCCPLD | L18 |
| VCCIB2 | N24 | VCCIB5 | AD12 | VCCPLE | AK19 |
| VCCIB2 | P23 | VCCIB5 | AD13 | VCCPLF | AE18 |
| VCCIB2 | P24 | VCCIB5 | AD14 | VCCPLG | AK16 |
| VCCIB2 | R23 | VCCIB5 | AL5 | VCCPLH | AF17 |
| VCCIB2 | T23 | VCCIB5 | AM5 | VCOMPLA | H16 |
| VCCIB2 | U23 | VCCIB5 | AN5 | VCOMPLB | L17 |
| VCCIB3 | AA23 | VCCIB5 | AP5 | VCOMPLC | H19 |

| FG1152 | |
|------------------------|-------------------|
| AX2000 Function | Pin Number |
| VCOMPLD | K18 |
| VCOMPLE | AH19 |
| VCOMPLF | AF18 |
| VCOMPLG | AH16 |
| VCOMPLH | AD17 |
| VPUMP | J26 |

PQ208



Note

For Package Manufacturing and Environmental information, visit Resource center at <http://www.microsemi.com/soc/products/rescenter/package/index.html>.

| PQ208 | |
|------------------|------------|
| AX250 Function | Pin Number |
| Bank 0 | |
| IO02NB0F0 | 197 |
| IO03NB0F0 | 198 |
| IO03PB0F0 | 199 |
| IO12NB0F0/HCLKAN | 191 |
| IO12PB0F0/HCLKAP | 192 |
| IO13NB0F0/HCLKBN | 185 |
| IO13PB0F0/HCLKBP | 186 |
| Bank 1 | |
| IO14NB1F1/HCLKCN | 180 |
| IO14PB1F1/HCLKCP | 181 |
| IO15NB1F1/HCLKDN | 174 |
| IO15PB1F1/HCLKDP | 175 |
| IO16NB1F1 | 170 |
| IO16PB1F1 | 171 |
| IO24NB1F1 | 165 |
| IO24PB1F1 | 166 |
| IO26NB1F1 | 161 |
| IO26PB1F1 | 162 |
| IO27NB1F1 | 159 |
| IO27PB1F1 | 160 |
| Bank 2 | |
| IO29NB2F2 | 151 |
| IO29PB2F2 | 153 |
| IO30NB2F2 | 152 |
| IO30PB2F2 | 154 |
| IO31PB2F2 | 148 |
| IO32NB2F2 | 146 |
| IO32PB2F2 | 147 |
| IO34NB2F2 | 144 |
| IO34PB2F2 | 145 |
| IO39NB2F2 | 139 |
| IO39PB2F2 | 140 |
| IO40PB2F2 | 141 |
| IO41NB2F2 | 137 |
| IO41PB2F2 | 138 |
| IO43NB2F2 | 132 |

| PQ208 | |
|-----------------|------------|
| AX250 Function | Pin Number |
| IO43PB2F2 | 134 |
| IO44NB2F2 | 131 |
| IO44PB2F2 | 133 |
| Bank 3 | |
| IO45NB3F3 | 127 |
| IO45PB3F3 | 129 |
| IO46NB3F3 | 126 |
| IO46PB3F3 | 128 |
| IO48NB3F3 | 122 |
| IO48PB3F3 | 123 |
| IO50NB3F3 | 120 |
| IO50PB3F3 | 121 |
| IO55NB3F3 | 116 |
| IO55PB3F3 | 117 |
| IO57NB3F3 | 114 |
| IO57PB3F3 | 115 |
| IO59NB3F3 | 110 |
| IO59PB3F3 | 111 |
| IO60NB3F3 | 108 |
| IO60PB3F3 | 109 |
| IO61NB3F3 | 106 |
| IO61PB3F3 | 107 |
| Bank 4 | |
| IO62NB4F4 | 100 |
| IO62PB4F4 | 103 |
| IO63NB4F4 | 101 |
| IO63PB4F4 | 102 |
| IO64NB4F4 | 96 |
| IO64PB4F4 | 97 |
| IO72NB4F4 | 91 |
| IO72PB4F4 | 92 |
| IO74NB4F4/CLKEN | 87 |
| IO74PB4F4/CLKEP | 88 |
| IO75NB4F4/CLKFN | 81 |
| IO75PB4F4/CLKFP | 82 |
| Bank 5 | |
| IO76NB5F5/CLKGN | 76 |

| PQ208 | |
|-----------------|------------|
| AX250 Function | Pin Number |
| IO76PB5F5/CLKGP | 77 |
| IO77NB5F5/CLKHN | 70 |
| IO77PB5F5/CLKHP | 71 |
| IO78NB5F5 | 66 |
| IO78PB5F5 | 67 |
| IO86NB5F5 | 62 |
| IO87NB5F5 | 60 |
| IO87PB5F5 | 61 |
| IO88NB5F5 | 56 |
| IO88PB5F5 | 57 |
| IO89NB5F5 | 54 |
| IO89PB5F5 | 55 |
| Bank 6 | |
| IO91NB6F6 | 47 |
| IO91PB6F6 | 49 |
| IO92NB6F6 | 48 |
| IO92PB6F6 | 50 |
| IO93NB6F6 | 42 |
| IO93PB6F6 | 43 |
| IO94PB6F6 | 44 |
| IO96NB6F6 | 40 |
| IO96PB6F6 | 41 |
| IO101NB6F6 | 35 |
| IO101PB6F6 | 36 |
| IO102PB6F6 | 37 |
| IO103NB6F6 | 33 |
| IO103PB6F6 | 34 |
| IO105NB6F6 | 28 |
| IO105PB6F6 | 30 |
| IO106NB6F6 | 27 |
| IO106PB6F6 | 29 |
| Bank 7 | |
| IO107NB7F7 | 23 |
| IO107PB7F7 | 25 |
| IO108NB7F7 | 22 |
| IO108PB7F7 | 24 |
| IO110NB7F7 | 18 |

| PQ208 | |
|----------------------|------------|
| AX250 Function | Pin Number |
| IO110PB7F7 | 19 |
| IO112NB7F7 | 16 |
| IO112PB7F7 | 17 |
| IO117NB7F7 | 12 |
| IO117PB7F7 | 13 |
| IO119NB7F7 | 10 |
| IO119PB7F7 | 11 |
| IO121PB7F7 | 7 |
| IO122NB7F7 | 5 |
| IO122PB7F7 | 6 |
| IO123NB7F7 | 3 |
| IO123PB7F7 | 4 |
| Dedicated I/O | |
| VCCDA | 1 |
| VCCDA | 26 |
| VCCDA | 53 |
| VCCDA | 63 |
| VCCDA | 78 |
| VCCDA | 95 |
| VCCDA | 105 |
| VCCDA | 130 |
| VCCDA | 157 |
| VCCDA | 167 |
| VCCDA | 182 |
| VCCDA | 202 |
| GND | 104 |
| GND | 9 |
| GND | 15 |
| GND | 21 |
| GND | 32 |
| GND | 39 |
| GND | 46 |
| GND | 51 |
| GND | 59 |
| GND | 65 |
| GND | 69 |
| GND | 90 |

| PQ208 | |
|----------------|------------|
| AX250 Function | Pin Number |
| GND | 94 |
| GND | 99 |
| GND | 113 |
| GND | 119 |
| GND | 125 |
| GND | 136 |
| GND | 143 |
| GND | 150 |
| GND | 155 |
| GND | 164 |
| GND | 169 |
| GND | 173 |
| GND | 194 |
| GND | 196 |
| GND | 201 |
| GND/LP | 208 |
| PRA | 184 |
| PRB | 183 |
| PRC | 80 |
| PRD | 79 |
| TCK | 205 |
| TDI | 204 |
| TDO | 203 |
| TMS | 206 |
| TRST | 207 |
| VCCA | 2 |
| VCCA | 52 |
| VCCA | 156 |
| VCCA | 14 |
| VCCA | 38 |
| VCCA | 64 |
| VCCA | 93 |
| VCCA | 118 |
| VCCA | 142 |
| VCCA | 168 |
| VCCA | 195 |
| VCCPLA | 189 |

| PQ208 | |
|----------------|------------|
| AX250 Function | Pin Number |
| VCCPLB | 187 |
| VCCPLC | 178 |
| VCCPLD | 176 |
| VCCPLE | 85 |
| VCCPLF | 83 |
| VCCPLG | 74 |
| VCCPLH | 72 |
| VCCIB0 | 193 |
| VCCIB0 | 200 |
| VCCIB1 | 163 |
| VCCIB1 | 172 |
| VCCIB2 | 135 |
| VCCIB2 | 149 |
| VCCIB3 | 112 |
| VCCIB3 | 124 |
| VCCIB4 | 89 |
| VCCIB4 | 98 |
| VCCIB5 | 58 |
| VCCIB5 | 68 |
| VCCIB6 | 31 |
| VCCIB6 | 45 |
| VCCIB7 | 8 |
| VCCIB7 | 20 |
| VCOMPLA | 190 |
| VCOMPLB | 188 |
| VCOMPLC | 179 |
| VCOMPLD | 177 |
| VCOMPLE | 86 |
| VCOMPLF | 84 |
| VCOMPLG | 75 |
| VCOMPLH | 73 |
| VPUMP | 158 |

| PQ208 | |
|------------------|------------|
| AX500 Function | Pin Number |
| Bank 0 | |
| IO03NB0F0 | 198 |
| IO03PB0F0 | 199 |
| IO04NB0F0 | 197 |
| IO19NB0F1/HCLKAN | 191 |
| IO19PB0F1/HCLKAP | 192 |
| IO20NB0F1/HCLKBN | 185 |
| IO20PB0F1/HCLKBP | 186 |
| Bank 1 | |
| IO21NB1F2/HCLKCN | 180 |
| IO21PB1F2/HCLKCP | 181 |
| IO22NB1F2/HCLKDN | 174 |
| IO22PB1F2/HCLKDP | 175 |
| IO23NB1F2 | 170 |
| IO23PB1F2 | 171 |
| IO37NB1F3 | 165 |
| IO37PB1F3 | 166 |
| IO39NB1F3 | 161 |
| IO39PB1F3 | 162 |
| IO41NB1F3 | 159 |
| IO41PB1F3 | 160 |
| Bank 2 | |
| IO43NB2F4 | 151 |
| IO43PB2F4 | 153 |
| IO44NB2F4 | 152 |
| IO44PB2F4 | 154 |
| IO45PB2F4 | 148 |
| IO46NB2F4 | 146 |
| IO46PB2F4 | 147 |
| IO48NB2F4 | 144 |
| IO48PB2F4 | 145 |
| IO57NB2F5 | 139 |
| IO57PB2F5 | 140 |
| IO58PB2F5 | 141 |
| IO59NB2F5 | 137 |
| IO59PB2F5 | 138 |
| IO61NB2F5 | 132 |

| PQ208 | |
|-------------------|------------|
| AX500 Function | Pin Number |
| IO61PB2F5 | 134 |
| IO62NB2F5 | 131 |
| IO62PB2F5 | 133 |
| Bank 3 | |
| IO63NB3F6 | 127 |
| IO63PB3F6 | 129 |
| IO64NB3F6 | 126 |
| IO64PB3F6 | 128 |
| IO66NB3F6 | 122 |
| IO66PB3F6 | 123 |
| IO68NB3F6 | 120 |
| IO68PB3F6 | 121 |
| IO77NB3F7 | 116 |
| IO77PB3F7 | 117 |
| IO79NB3F7 | 114 |
| IO79PB3F7 | 115 |
| IO81NB3F7 | 110 |
| IO81PB3F7 | 111 |
| IO82NB3F7 | 108 |
| IO82PB3F7 | 109 |
| IO83NB3F7 | 106 |
| IO83PB3F7 | 107 |
| Bank 4 | |
| IO84PB4F8 | 103 |
| IO85NB4F8 | 100 |
| IO86NB4F8 | 101 |
| IO86PB4F8 | 102 |
| IO87NB4F8 | 96 |
| IO87PB4F8 | 97 |
| IO101NB4F9 | 91 |
| IO101PB4F9 | 92 |
| IO103NB4F9/CLKEN | 87 |
| IO103PB4F9/CLKEP | 88 |
| IO104NB4F9/CLKFN | 81 |
| IO104PB4F9/CLKFP | 82 |
| Bank 5 | |
| IO105NB5F10/CLKGN | 76 |

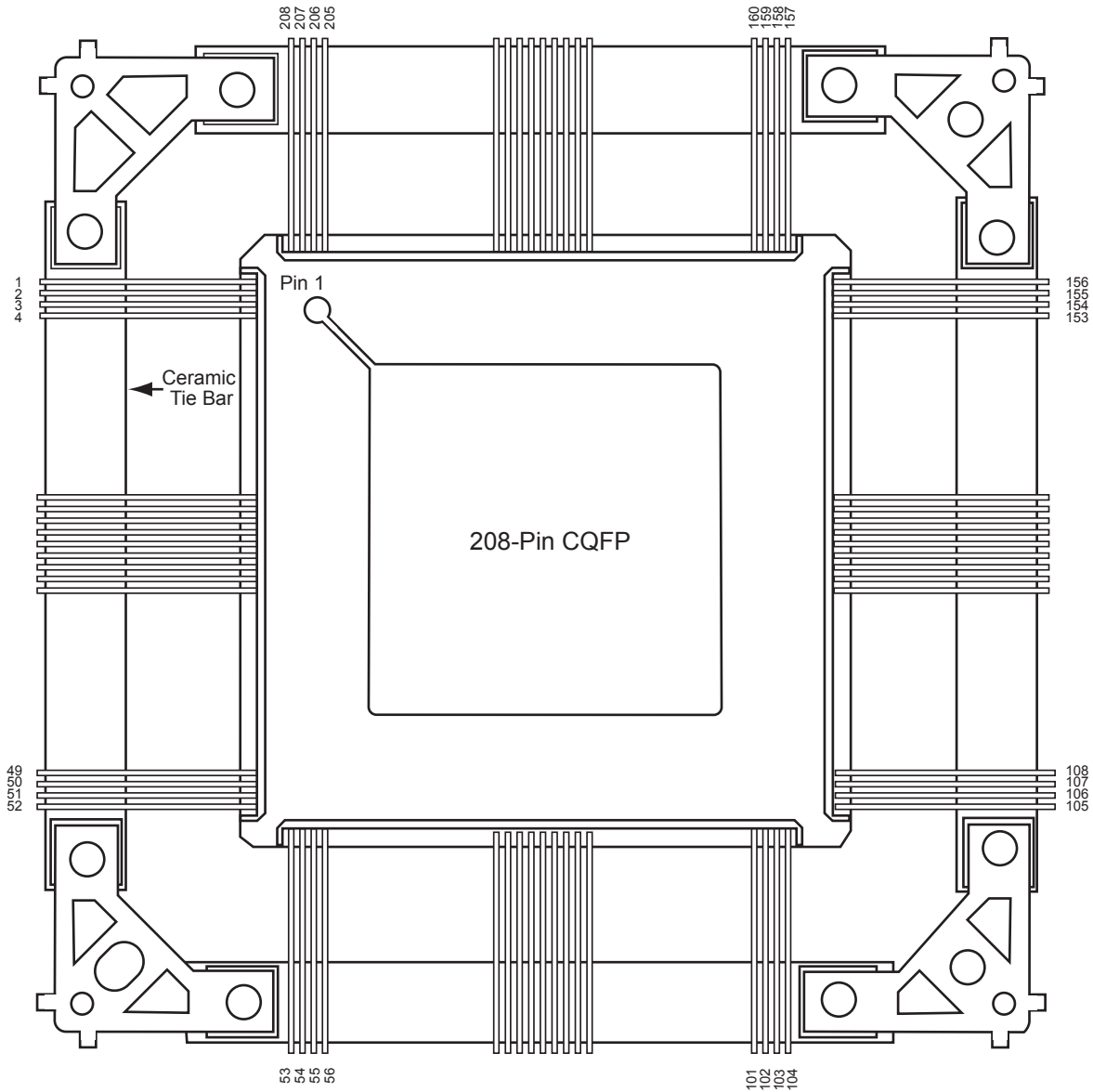
| PQ208 | |
|-------------------|------------|
| AX500 Function | Pin Number |
| IO105PB5F10/CLKGP | 77 |
| IO106NB5F10/CLKHN | 70 |
| IO106PB5F10/CLKHP | 71 |
| IO107NB5F10 | 66 |
| IO107PB5F10 | 67 |
| IO119NB5F11 | 62 |
| IO121NB5F11 | 60 |
| IO121PB5F11 | 61 |
| IO123NB5F11 | 56 |
| IO123PB5F11 | 57 |
| IO125NB5F11 | 54 |
| IO125PB5F11 | 55 |
| Bank 6 | |
| IO127NB6F12 | 47 |
| IO127PB6F12 | 49 |
| IO128NB6F12 | 48 |
| IO128PB6F12 | 50 |
| IO129NB6F12 | 42 |
| IO129PB6F12 | 43 |
| IO130PB6F12 | 44 |
| IO132NB6F12 | 40 |
| IO132PB6F12 | 41 |
| IO141NB6F13 | 35 |
| IO141PB6F13 | 36 |
| IO142PB6F13 | 37 |
| IO143NB6F13 | 33 |
| IO143PB6F13 | 34 |
| IO145NB6F13 | 28 |
| IO145PB6F13 | 30 |
| IO146NB6F13 | 27 |
| IO146PB6F13 | 29 |
| Bank 7 | |
| IO147NB7F14 | 23 |
| IO147PB7F14 | 25 |
| IO148NB7F14 | 22 |
| IO148PB7F14 | 24 |
| IO150NB7F14 | 18 |

| PQ208 | |
|-------------------|------------|
| AX500 Function | Pin Number |
| IO150PB7F14 | 19 |
| IO152NB7F14 | 16 |
| IO152PB7F14 | 17 |
| IO161NB7F15 | 12 |
| IO161PB7F15 | 13 |
| IO163NB7F15 | 10 |
| IO163PB7F15 | 11 |
| IO165PB7F15 | 7 |
| IO166NB7F15 | 5 |
| IO166PB7F15 | 6 |
| IO167NB7F15 | 3 |
| IO167PB7F15 | 4 |
| Dedicated I/O | |
| V _{CCDA} | 1 |
| V _{CCDA} | 26 |
| V _{CCDA} | 53 |
| V _{CCDA} | 63 |
| V _{CCDA} | 78 |
| V _{CCDA} | 95 |
| V _{CCDA} | 105 |
| V _{CCDA} | 130 |
| V _{CCDA} | 157 |
| V _{CCDA} | 167 |
| V _{CCDA} | 182 |
| V _{CCDA} | 202 |
| GND | 104 |
| GND | 9 |
| GND | 15 |
| GND | 21 |
| GND | 32 |
| GND | 39 |
| GND | 46 |
| GND | 51 |
| GND | 59 |
| GND | 65 |
| GND | 69 |
| GND | 90 |

| PQ208 | |
|----------------|------------|
| AX500 Function | Pin Number |
| GND | 94 |
| GND | 99 |
| GND | 113 |
| GND | 119 |
| GND | 125 |
| GND | 143 |
| GND | 136 |
| GND | 150 |
| GND | 155 |
| GND | 164 |
| GND | 169 |
| GND | 173 |
| GND | 194 |
| GND | 196 |
| GND | 201 |
| GND/LP | 208 |
| PRA | 184 |
| PRB | 183 |
| PRC | 80 |
| PRD | 79 |
| TCK | 205 |
| TDI | 204 |
| TDO | 203 |
| TMS | 206 |
| TRST | 207 |
| VCCA | 2 |
| VCCA | 14 |
| VCCA | 38 |
| VCCA | 52 |
| VCCA | 64 |
| VCCA | 93 |
| VCCA | 118 |
| VCCA | 142 |
| VCCA | 156 |
| VCCA | 168 |
| VCCA | 195 |
| VCCPLA | 189 |

| PQ208 | |
|----------------|------------|
| AX500 Function | Pin Number |
| VCCPLB | 187 |
| VCCPLC | 178 |
| VCCPLD | 176 |
| VCCPLE | 85 |
| VCCPLF | 83 |
| VCCPLG | 74 |
| VCCPLH | 72 |
| VCCIB0 | 200 |
| VCCIB0 | 193 |
| VCCIB1 | 172 |
| VCCIB1 | 163 |
| VCCIB2 | 149 |
| VCCIB2 | 135 |
| VCCIB3 | 124 |
| VCCIB3 | 112 |
| VCCIB4 | 98 |
| VCCIB4 | 89 |
| VCCIB5 | 68 |
| VCCIB5 | 58 |
| VCCIB6 | 45 |
| VCCIB6 | 31 |
| VCCIB7 | 20 |
| VCCIB7 | 8 |
| VCOMPLA | 190 |
| VCOMPLB | 188 |
| VCOMPLC | 179 |
| VCOMPLD | 177 |
| VCOMPLE | 86 |
| VCOMPLF | 84 |
| VCOMPLG | 75 |
| VCOMPLH | 73 |
| VPUMP | 158 |

CQ208



Note

For Package Manufacturing and Environmental information, visit Resource center at <http://www.microsemi.com/soc/products/rescenter/package/index.html>.

| CQ208 | |
|------------------|------------|
| AX250 Function | Pin Number |
| Bank 0 | |
| IO02NB0F0 | 197 |
| IO03NB0F0 | 198 |
| IO03PB0F0 | 199 |
| IO12NB0F0/HCLKAN | 191 |
| IO12PB0F0/HCLKAP | 192 |
| IO13NB0F0/HCLKBN | 185 |
| IO13PB0F0/HCLKBP | 186 |
| Bank 1 | |
| IO14NB1F1/HCLKCN | 180 |
| IO14PB1F1/HCLKCP | 181 |
| IO15NB1F1/HCLKDN | 174 |
| IO15PB1F1/HCLKDP | 175 |
| IO16NB1F1 | 170 |
| IO16PB1F1 | 171 |
| IO24NB1F1 | 165 |
| IO24PB1F1 | 166 |
| IO26NB1F1 | 161 |
| IO26PB1F1 | 162 |
| IO27NB1F1 | 159 |
| IO27PB1F1 | 160 |
| Bank 2 | |
| IO29NB2F2 | 151 |
| IO29PB2F2 | 153 |
| IO30NB2F2 | 152 |
| IO30PB2F2 | 154 |
| IO31PB2F2 | 148 |
| IO32NB2F2 | 146 |
| IO32PB2F2 | 147 |
| IO34NB2F2 | 144 |
| IO34PB2F2 | 145 |
| IO39NB2F2 | 139 |
| IO39PB2F2 | 140 |
| IO40PB2F2 | 141 |
| IO41NB2F2 | 137 |
| IO41PB2F2 | 138 |
| IO43NB2F2 | 132 |

| CQ208 | |
|-----------------|------------|
| AX250 Function | Pin Number |
| IO43PB2F2 | 134 |
| IO44NB2F2 | 131 |
| IO44PB2F2 | 133 |
| Bank 3 | |
| IO45NB3F3 | 127 |
| IO45PB3F3 | 129 |
| IO46NB3F3 | 126 |
| IO46PB3F3 | 128 |
| IO48NB3F3 | 122 |
| IO48PB3F3 | 123 |
| IO50NB3F3 | 120 |
| IO50PB3F3 | 121 |
| IO55NB3F3 | 116 |
| IO55PB3F3 | 117 |
| IO57NB3F3 | 114 |
| IO57PB3F3 | 115 |
| IO59NB3F3 | 110 |
| IO59PB3F3 | 111 |
| IO60NB3F3 | 108 |
| IO60PB3F3 | 109 |
| IO61NB3F3 | 106 |
| IO61PB3F3 | 107 |
| Bank 4 | |
| IO62NB4F4 | 100 |
| IO62PB4F4 | 103 |
| IO63NB4F4 | 101 |
| IO63PB4F4 | 102 |
| IO64NB4F4 | 96 |
| IO64PB4F4 | 97 |
| IO72NB4F4 | 91 |
| IO72PB4F4 | 92 |
| IO74NB4F4/CLKEN | 87 |
| IO74PB4F4/CLKEP | 88 |
| IO75NB4F4/CLKFN | 81 |
| IO75PB4F4/CLKFP | 82 |
| Bank 5 | |
| IO76NB5F5/CLKGN | 76 |

| CQ208 | |
|-----------------|------------|
| AX250 Function | Pin Number |
| IO76PB5F5/CLKGP | 77 |
| IO77NB5F5/CLKHN | 70 |
| IO77PB5F5/CLKHP | 71 |
| IO78NB5F5 | 66 |
| IO78PB5F5 | 67 |
| IO86NB5F5 | 62 |
| IO87NB5F5 | 60 |
| IO87PB5F5 | 61 |
| IO88NB5F5 | 56 |
| IO88PB5F5 | 57 |
| IO89NB5F5 | 54 |
| IO89PB5F5 | 55 |
| Bank 6 | |
| IO91NB6F6 | 47 |
| IO91PB6F6 | 49 |
| IO92NB6F6 | 48 |
| IO92PB6F6 | 50 |
| IO93NB6F6 | 42 |
| IO93PB6F6 | 43 |
| IO94PB6F6 | 44 |
| IO96NB6F6 | 40 |
| IO96PB6F6 | 41 |
| IO101NB6F6 | 35 |
| IO101PB6F6 | 36 |
| IO102PB6F6 | 37 |
| IO103NB6F6 | 33 |
| IO103PB6F6 | 34 |
| IO105NB6F6 | 28 |
| IO105PB6F6 | 30 |
| IO106NB6F6 | 27 |
| IO106PB6F6 | 29 |
| Bank 7 | |
| IO107NB7F7 | 23 |
| IO107PB7F7 | 25 |
| IO108NB7F7 | 22 |
| IO108PB7F7 | 24 |
| IO110NB7F7 | 18 |

| CQ208 | |
|----------------------|------------|
| AX250 Function | Pin Number |
| IO110PB7F7 | 19 |
| IO112NB7F7 | 16 |
| IO112PB7F7 | 17 |
| IO117NB7F7 | 12 |
| IO117PB7F7 | 13 |
| IO119NB7F7 | 10 |
| IO119PB7F7 | 11 |
| IO121PB7F7 | 7 |
| IO122NB7F7 | 5 |
| IO122PB7F7 | 6 |
| IO123NB7F7 | 3 |
| IO123PB7F7 | 4 |
| Dedicated I/O | |
| GND | 9 |
| GND | 15 |
| GND | 21 |
| GND | 32 |
| GND | 39 |
| GND | 46 |
| GND | 51 |
| GND | 59 |
| GND | 65 |
| GND | 69 |
| GND | 90 |
| GND | 94 |
| GND | 99 |
| GND | 104 |
| GND | 113 |
| GND | 119 |
| GND | 125 |
| GND | 136 |
| GND | 143 |
| GND | 150 |
| GND | 155 |
| GND | 164 |
| GND | 169 |
| GND | 173 |

| CQ208 | |
|----------------|------------|
| AX250 Function | Pin Number |
| GND | 194 |
| GND | 196 |
| GND | 201 |
| GND/LP | 208 |
| PRA | 184 |
| PRB | 183 |
| PRC | 80 |
| PRD | 79 |
| TCK | 205 |
| TDI | 204 |
| TDO | 203 |
| TMS | 206 |
| TRST | 207 |
| VCCA | 2 |
| VCCA | 14 |
| VCCA | 38 |
| VCCA | 52 |
| VCCA | 64 |
| VCCA | 93 |
| VCCA | 118 |
| VCCA | 142 |
| VCCA | 156 |
| VCCA | 168 |
| VCCA | 195 |
| VCCDA | 1 |
| VCCDA | 26 |
| VCCDA | 53 |
| VCCDA | 63 |
| VCCDA | 78 |
| VCCDA | 95 |
| VCCDA | 105 |
| VCCDA | 130 |
| VCCDA | 157 |
| VCCDA | 167 |
| VCCDA | 182 |
| VCCDA | 202 |
| VCCIB0 | 193 |

| CQ208 | |
|----------------|------------|
| AX250 Function | Pin Number |
| VCCIB0 | 200 |
| VCCIB1 | 163 |
| VCCIB1 | 172 |
| VCCIB2 | 135 |
| VCCIB2 | 149 |
| VCCIB3 | 112 |
| VCCIB3 | 124 |
| VCCIB4 | 89 |
| VCCIB4 | 98 |
| VCCIB5 | 58 |
| VCCIB5 | 68 |
| VCCIB6 | 31 |
| VCCIB6 | 45 |
| VCCIB7 | 8 |
| VCCIB7 | 20 |
| VCCPLA | 189 |
| VCCPLB | 187 |
| VCCPLC | 178 |
| VCCPLD | 176 |
| VCCPLE | 85 |
| VCCPLF | 83 |
| VCCPLG | 74 |
| VCCPLH | 72 |
| VCOMPLA | 190 |
| VCOMPLB | 188 |
| VCOMPLC | 179 |
| VCOMPLD | 177 |
| VCOMPLE | 86 |
| VCOMPLF | 84 |
| VCOMPLG | 75 |
| VCOMPLH | 73 |
| VPUMP | 158 |

| CQ208 | |
|------------------|------------|
| AX500 Function | Pin Number |
| Bank 0 | |
| IO03NB0F0 | 198 |
| IO03PB0F0 | 199 |
| IO04NB0F0 | 197 |
| IO19NB0F1/HCLKAN | 191 |
| IO19PB0F1/HCLKAP | 192 |
| IO20NB0F1/HCLKBN | 185 |
| IO20PB0F1/HCLKBP | 186 |
| Bank 1 | |
| IO21NB1F2/HCLKCN | 180 |
| IO21PB1F2/HCLKCP | 181 |
| IO22NB1F2/HCLKDN | 174 |
| IO22PB1F2/HCLKDP | 175 |
| IO23NB1F2 | 170 |
| IO23PB1F2 | 171 |
| IO37NB1F3 | 165 |
| IO37PB1F3 | 166 |
| IO39NB1F3 | 161 |
| IO39PB1F3 | 162 |
| IO41NB1F3 | 159 |
| IO41PB1F3 | 160 |
| Bank 2 | |
| IO43NB2F4 | 151 |
| IO43PB2F4 | 153 |
| IO44NB2F4 | 152 |
| IO44PB2F4 | 154 |
| IO45PB2F4 | 148 |
| IO46NB2F4 | 146 |
| IO46PB2F4 | 147 |
| IO48NB2F4 | 144 |
| IO48PB2F4 | 145 |
| IO57NB2F5 | 139 |
| IO57PB2F5 | 140 |
| IO58PB2F5 | 141 |
| IO59NB2F5 | 137 |
| IO59PB2F5 | 138 |
| IO61NB2F5 | 132 |

| CQ208 | |
|-------------------|------------|
| AX500 Function | Pin Number |
| IO61PB2F5 | 134 |
| IO62NB2F5 | 131 |
| IO62PB2F5 | 133 |
| Bank 3 | |
| IO63NB3F6 | 127 |
| IO63PB3F6 | 129 |
| IO64NB3F6 | 126 |
| IO64PB3F6 | 128 |
| IO66NB3F6 | 122 |
| IO66PB3F6 | 123 |
| IO68NB3F6 | 120 |
| IO68PB3F6 | 121 |
| IO77NB3F7 | 116 |
| IO77PB3F7 | 117 |
| IO79NB3F7 | 114 |
| IO79PB3F7 | 115 |
| IO81NB3F7 | 110 |
| IO81PB3F7 | 111 |
| IO82NB3F7 | 108 |
| IO82PB3F7 | 109 |
| IO83NB3F7 | 106 |
| IO83PB3F7 | 107 |
| Bank 4 | |
| IO84PB4F8 | 103 |
| IO85NB4F8 | 100 |
| IO86NB4F8 | 101 |
| IO86PB4F8 | 102 |
| IO87NB4F8 | 96 |
| IO87PB4F8 | 97 |
| IO101NB4F9 | 91 |
| IO101PB4F9 | 92 |
| IO103NB4F9/CLKEN | 87 |
| IO103PB4F9/CLKEP | 88 |
| IO104NB4F9/CLKFN | 81 |
| IO104PB4F9/CLKFP | 82 |
| Bank 5 | |
| IO105NB5F10/CLKGN | 76 |

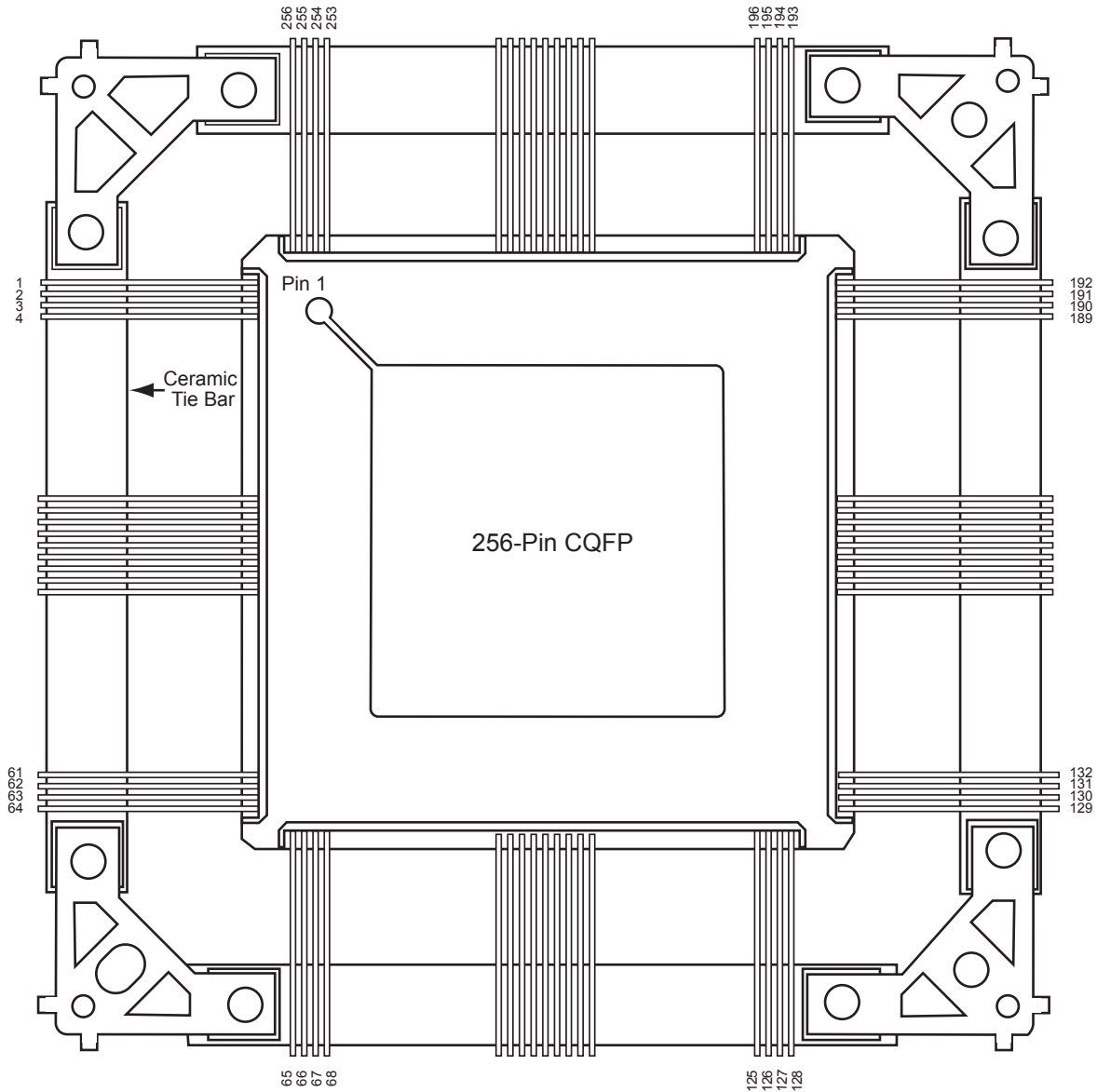
| CQ208 | |
|-------------------|------------|
| AX500 Function | Pin Number |
| IO105PB5F10/CLKGP | 77 |
| IO106NB5F10/CLKHN | 70 |
| IO106PB5F10/CLKHP | 71 |
| IO107NB5F10 | 66 |
| IO107PB5F10 | 67 |
| IO119NB5F11 | 62 |
| IO121NB5F11 | 60 |
| IO121PB5F11 | 61 |
| IO123NB5F11 | 56 |
| IO123PB5F11 | 57 |
| IO125NB5F11 | 54 |
| IO125PB5F11 | 55 |
| Bank 6 | |
| IO127NB6F12 | 47 |
| IO127PB6F12 | 49 |
| IO128NB6F12 | 48 |
| IO128PB6F12 | 50 |
| IO129NB6F12 | 42 |
| IO129PB6F12 | 43 |
| IO130PB6F12 | 44 |
| IO132NB6F12 | 40 |
| IO132PB6F12 | 41 |
| IO141NB6F13 | 35 |
| IO141PB6F13 | 36 |
| IO142PB6F13 | 37 |
| IO143NB6F13 | 33 |
| IO143PB6F13 | 34 |
| IO145NB6F13 | 28 |
| IO145PB6F13 | 30 |
| IO146NB6F13 | 27 |
| IO146PB6F13 | 29 |
| Bank 7 | |
| IO147NB7F14 | 23 |
| IO147PB7F14 | 25 |
| IO148NB7F14 | 22 |
| IO148PB7F14 | 24 |
| IO150NB7F14 | 18 |

| CQ208 | |
|----------------|------------|
| AX500 Function | Pin Number |
| IO150PB7F14 | 19 |
| IO152NB7F14 | 16 |
| IO152PB7F14 | 17 |
| IO161NB7F15 | 12 |
| IO161PB7F15 | 13 |
| IO163NB7F15 | 10 |
| IO163PB7F15 | 11 |
| IO165PB7F15 | 7 |
| IO166NB7F15 | 5 |
| IO166PB7F15 | 6 |
| IO167NB7F15 | 3 |
| IO167PB7F15 | 4 |
| Dedicated I/O | |
| VCCDA | 1 |
| GND | 9 |
| GND | 15 |
| GND | 21 |
| GND | 32 |
| GND | 39 |
| GND | 46 |
| GND | 51 |
| GND | 59 |
| GND | 65 |
| GND | 69 |
| GND | 90 |
| GND | 94 |
| GND | 99 |
| GND | 104 |
| GND | 113 |
| GND | 119 |
| GND | 125 |
| GND | 136 |
| GND | 143 |
| GND | 150 |
| GND | 155 |
| GND | 164 |
| GND | 169 |

| CQ208 | |
|----------------|------------|
| AX500 Function | Pin Number |
| GND | 173 |
| GND | 194 |
| GND | 196 |
| GND | 201 |
| GND/LP | 208 |
| PRA | 184 |
| PRB | 183 |
| PRC | 80 |
| PRD | 79 |
| TCK | 205 |
| TDI | 204 |
| TDO | 203 |
| TMS | 206 |
| TRST | 207 |
| VCCA | 2 |
| VCCA | 14 |
| VCCA | 38 |
| VCCA | 52 |
| VCCA | 64 |
| VCCA | 93 |
| VCCA | 118 |
| VCCA | 142 |
| VCCA | 156 |
| VCCA | 168 |
| VCCA | 195 |
| VCCDA | 26 |
| VCCDA | 53 |
| VCCDA | 63 |
| VCCDA | 78 |
| VCCDA | 95 |
| VCCDA | 105 |
| VCCDA | 130 |
| VCCDA | 157 |
| VCCDA | 167 |
| VCCDA | 182 |
| VCCDA | 202 |
| VCCIB0 | 193 |

| CQ208 | |
|----------------|------------|
| AX500 Function | Pin Number |
| VCCIB0 | 200 |
| VCCIB1 | 163 |
| VCCIB1 | 172 |
| VCCIB2 | 135 |
| VCCIB2 | 149 |
| VCCIB3 | 112 |
| VCCIB3 | 124 |
| VCCIB4 | 89 |
| VCCIB4 | 98 |
| VCCIB5 | 58 |
| VCCIB5 | 68 |
| VCCIB6 | 31 |
| VCCIB6 | 45 |
| VCCIB7 | 8 |
| VCCIB7 | 20 |
| VCCPLA | 189 |
| VCCPLB | 187 |
| VCCPLC | 178 |
| VCCPLD | 176 |
| VCCPLE | 85 |
| VCCPLF | 83 |
| VCCPLG | 74 |
| VCCPLH | 72 |
| VCOMPLA | 190 |
| VCOMPLB | 188 |
| VCOMPLC | 179 |
| VCOMPLD | 177 |
| VCOMPLE | 86 |
| VCOMPLF | 84 |
| VCOMPLG | 75 |
| VCOMPLH | 73 |
| VPUMP | 158 |

CQ256



Note

For Package Manufacturing and Environmental information, visit the Resource center at <http://www.microsemi.com/soc/products/solutions/package/docs.aspx>.

| CQ256 | |
|------------------|------------|
| AX2000 Function | Pin Number |
| Bank 0 | |
| IO01NB0F0 | 248 |
| IO01PB0F0 | 249 |
| IO04NB0F0 | 246 |
| IO04PB0F0 | 247 |
| IO05NB0F0 | 242 |
| IO05PB0F0 | 243 |
| IO08NB0F0 | 240 |
| IO08PB0F0 | 241 |
| Bank 0 | |
| IO37NB0F3 | 234 |
| IO37PB0F3 | 235 |
| IO41NB0F3/HCLKAN | 232 |
| IO41PB0F3/HCLKAP | 233 |
| IO42NB0F3/HCLKBN | 228 |
| IO42PB0F3/HCLKBP | 229 |
| Bank 1 - | |
| IO43NB1F4/HCLKCN | 220 |
| IO43PB1F4/HCLKCP | 221 |
| IO44NB1F4/HCLKDN | 216 |
| IO44PB1F4/HCLKDP | 217 |
| Bank 1 | |
| IO65NB1F6 | 210 |
| IO65PB1F6 | 211 |
| IO69NB1F6 | 208 |
| IO69PB1F6 | 209 |
| IO70NB1F6 | 199 |
| IO71NB1F6 | 204 |
| IO71PB1F6 | 205 |
| IO73NB1F6 | 202 |
| IO73PB1F6 | 203 |
| IO74NB1F6 | 197 |
| IO74PB1F6 | 198 |
| Bank 2 | |
| IO87NB2F8 | 187 |

| CQ256 | |
|-----------------|------------|
| AX2000 Function | Pin Number |
| IO87PB2F8 | 188 |
| IO89PB2F8 | 186 |
| Bank 2 | |
| IO107NB2F10 | 184 |
| IO107PB2F10 | 185 |
| IO110NB2F10 | 180 |
| IO110PB2F10 | 181 |
| IO111NB2F10 | 178 |
| IO111PB2F10 | 179 |
| IO112NB2F10 | 174 |
| IO112PB2F10 | 175 |
| IO113NB2F10 | 172 |
| IO113PB2F10 | 173 |
| IO114NB2F10 | 168 |
| IO114PB2F10 | 169 |
| IO115NB2F10 | 166 |
| IO115PB2F10 | 167 |
| IO117NB2F10 | 162 |
| IO117PB2F10 | 163 |
| Bank 3 | |
| IO139NB3F13 | 158 |
| IO139PB3F13 | 159 |
| IO141NB3F13 | 154 |
| IO141PB3F13 | 155 |
| IO142NB3F13 | 152 |
| IO142PB3F13 | 153 |
| IO145NB3F13 | 148 |
| IO145PB3F13 | 149 |
| IO146NB3F13 | 146 |
| IO146PB3F13 | 147 |
| IO147NB3F13 | 140 |
| IO147PB3F13 | 141 |
| IO148NB3F13 | 142 |
| IO148PB3F13 | 143 |
| IO149NB3F13 | 136 |

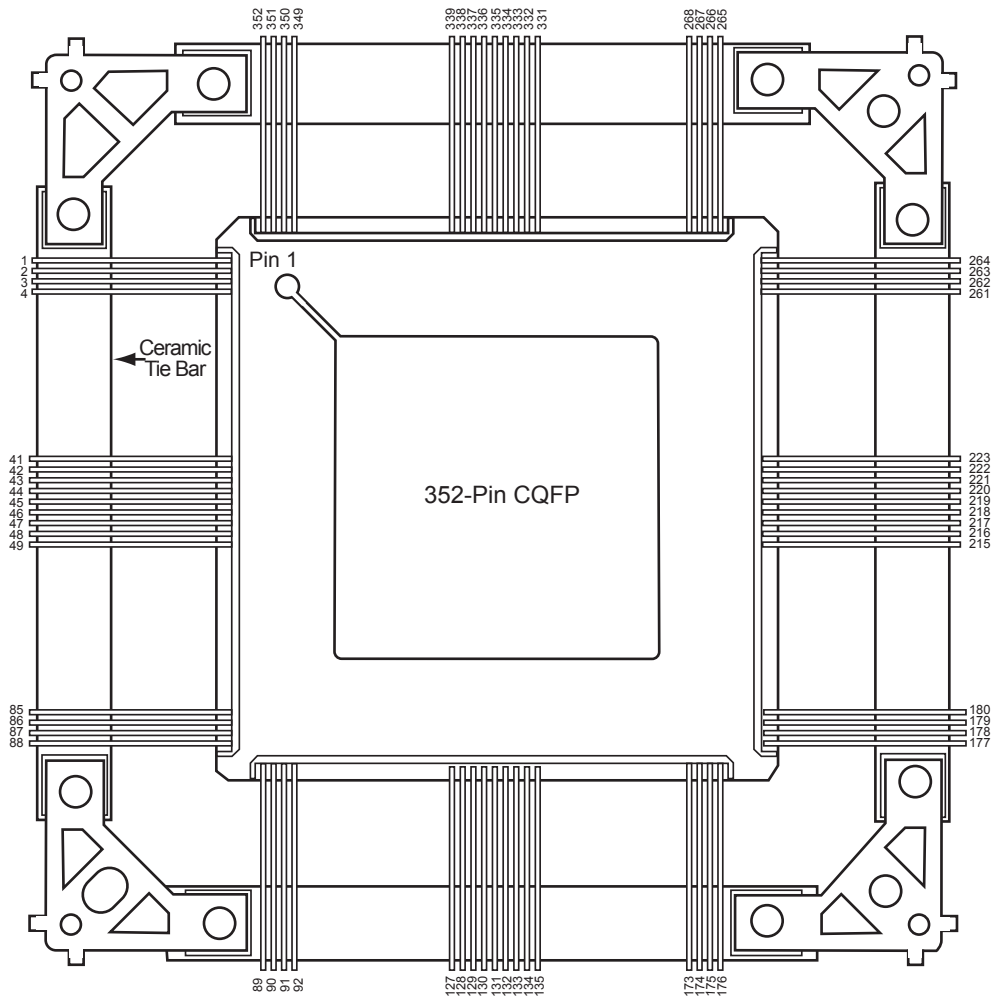
| CQ256 | |
|-------------------|------------|
| AX2000 Function | Pin Number |
| IO149PB3F13 | 137 |
| Bank 3 | |
| IO165NB3F15 | 135 |
| IO167NB3F15 | 133 |
| IO167PB3F15 | 134 |
| Bank 4 | |
| IO181NB4F17 | 124 |
| IO181PB4F17 | 125 |
| IO182NB4F17 | 122 |
| IO182PB4F17 | 123 |
| IO183NB4F17 | 118 |
| IO183PB4F17 | 119 |
| IO184NB4F17 | 116 |
| IO184PB4F17 | 117 |
| IO190NB4F17 | 112 |
| IO190PB4F17 | 113 |
| IO192NB4F17 | 110 |
| IO192PB4F17 | 111 |
| Bank 4 | |
| IO212NB4F19/CLKEN | 104 |
| IO212PB4F19/CLKEP | 105 |
| IO213NB4F19/CLKFN | 100 |
| IO213PB4F19/CLKFP | 101 |
| Bank 5 | |
| IO214NB5F20/CLKGN | 92 |
| IO214PB5F20/CLKGP | 93 |
| IO215NB5F20/CLKHN | 88 |
| IO215PB5F20/CLKHP | 89 |
| Bank 5 | |
| IO236NB5F22 | 82 |
| IO236PB5F22 | 83 |
| IO238NB5F22 | 80 |
| IO238PB5F22 | 81 |
| IO240NB5F22 | 76 |
| IO240PB5F22 | 77 |

| CQ256 | | CQ256 | | CQ256 | |
|-----------------|------------|----------------------|------------|-----------------|------------|
| AX2000 Function | Pin Number | AX2000 Function | Pin Number | AX2000 Function | Pin Number |
| IO242NB5F22 | 74 | IO315PB7F29 | 21 | GND | 121 |
| IO242PB5F22 | 75 | IO316NB7F29 | 18 | GND | 128 |
| IO243NB5F22 | 70 | IO316PB7F29 | 19 | GND | 129 |
| IO243PB5F22 | 71 | IO317NB7F29 | 14 | GND | 132 |
| IO244NB5F22 | 68 | IO317PB7F29 | 15 | GND | 139 |
| IO244PB5F22 | 69 | IO318NB7F29 | 12 | GND | 145 |
| Bank 6 | | IO318PB7F29 | 13 | GND | 151 |
| IO257PB6F24 | 60 | IO320NB7F29 | 8 | GND | 157 |
| IO258NB6F24 | 58 | IO320PB7F29 | 9 | GND | 161 |
| IO258PB6F24 | 59 | Bank 7 | | GND | 165 |
| Bank 6 | | IO341NB7F31 | 6 | GND | 171 |
| IO279NB6F26 | 56 | IO341PB7F31 | 7 | GND | 177 |
| IO279PB6F26 | 57 | Dedicated I/O | | GND | 183 |
| IO280NB6F26 | 52 | GND | 1 | GND | 190 |
| IO280PB6F26 | 53 | GND | 5 | GND | 192 |
| IO281NB6F26 | 50 | GND | 11 | GND | 193 |
| IO281PB6F26 | 51 | GND | 17 | GND | 201 |
| IO282NB6F26 | 46 | GND | 23 | GND | 207 |
| IO282PB6F26 | 47 | GND | 29 | GND | 213 |
| IO284NB6F26 | 44 | GND | 33 | GND | 219 |
| IO284PB6F26 | 45 | GND | 37 | GND | 225 |
| IO285NB6F26 | 40 | GND | 43 | GND | 231 |
| IO285PB6F26 | 41 | GND | 49 | GND | 239 |
| IO286NB6F26 | 38 | GND | 55 | GND | 245 |
| IO286PB6F26 | 39 | GND | 62 | GND | 256 |
| IO287NB6F26 | 34 | GND | 64 | PRA | 227 |
| IO287PB6F26 | 35 | GND | 65 | PRB | 226 |
| Bank 7 9 | | GND | 73 | PRC | 99 |
| IO310NB7F29 | 30 | GND | 79 | PRD | 98 |
| IO310PB7F29 | 31 | GND | 85 | TCK | 253 |
| IO311NB7F29 | 26 | GND | 91 | TDI | 252 |
| IO311PB7F29 | 27 | GND | 97 | TDO | 250 |
| IO312NB7F29 | 24 | GND | 103 | TMS | 254 |
| IO312PB7F29 | 25 | GND | 109 | TRST | 255 |
| IO315NB7F29 | 20 | GND | 115 | VCCA | 3 |

| CQ256 | |
|-----------------|------------|
| AX2000 Function | Pin Number |
| VCCA | 4 |
| VCCA | 22 |
| VCCA | 42 |
| VCCA | 61 |
| VCCA | 63 |
| VCCA | 84 |
| VCCA | 108 |
| VCCA | 127 |
| VCCA | 131 |
| VCCA | 150 |
| VCCA | 170 |
| VCCA | 189 |
| VCCA | 191 |
| VCCA | 212 |
| VCCA | 238 |
| VCCDA | 2 |
| VCCDA | 32 |
| VCCDA | 66 |
| VCCDA | 67 |
| VCCDA | 86 |
| VCCDA | 87 |
| VCCDA | 94 |
| VCCDA | 95 |
| VCCDA | 96 |
| VCCDA | 106 |
| VCCDA | 107 |
| VCCDA | 126 |
| VCCDA | 130 |
| VCCDA | 160 |
| VCCDA | 194 |
| VCCDA | 196 |
| VCCDA | 214 |
| VCCDA | 215 |
| VCCDA | 222 |
| VCCDA | 223 |

| CQ256 | |
|-----------------|------------|
| AX2000 Function | Pin Number |
| VCCDA | 224 |
| VCCDA | 236 |
| VCCDA | 237 |
| VCCDA | 251 |
| VCCIB0 | 230 |
| VCCIB0 | 244 |
| VCCIB1 | 200 |
| VCCIB1 | 206 |
| VCCIB1 | 218 |
| VCCIB2 | 164 |
| VCCIB2 | 176 |
| VCCIB2 | 182 |
| VCCIB3 | 138 |
| VCCIB3 | 144 |
| VCCIB3 | 156 |
| VCCIB4 | 102 |
| VCCIB4 | 114 |
| VCCIB4 | 120 |
| VCCIB5 | 72 |
| VCCIB5 | 78 |
| VCCIB5 | 90 |
| VCCIB6 | 36 |
| VCCIB6 | 48 |
| VCCIB6 | 54 |
| VCCIB7 | 10 |
| VCCIB7 | 16 |
| VCCIB7 | 28 |
| VPUMP | 195 |

CQ352



Note

For Package Manufacturing and Environmental information, visit Resource center at <http://www.microsemi.com/soc/products/rescenter/package/index.html>.

| CQ352 | |
|------------------|------------|
| AX250 Function | Pin Number |
| Bank 0 | |
| IO00NB0F0 | 341 |
| IO00PB0F0 | 342 |
| IO01NB0F0 | 343 |
| IO02NB0F0 | 337 |
| IO02PB0F0 | 338 |
| IO04NB0F0 | 335 |
| IO04PB0F0 | 336 |
| IO06NB0F0 | 331 |
| IO06PB0F0 | 332 |
| IO08NB0F0 | 325 |
| IO08PB0F0 | 326 |
| IO10NB0F0 | 323 |
| IO10PB0F0 | 324 |
| IO12NB0F0/HCLKAN | 319 |
| IO12PB0F0/HCLKAP | 320 |
| IO13NB0F0/HCLKBN | 313 |
| IO13PB0F0/HCLKBP | 314 |
| Bank 1 | |
| IO14NB1F1/HCLKCN | 305 |
| IO14PB1F1/HCLKCP | 306 |
| IO15NB1F1/HCLKDN | 299 |
| IO15PB1F1/HCLKDP | 300 |
| IO16NB1F1 | 289 |
| IO16PB1F1 | 290 |
| IO17NB1F1 | 295 |
| IO17PB1F1 | 296 |
| IO18NB1F1 | 287 |
| IO18PB1F1 | 288 |
| IO20NB1F1 | 283 |
| IO20PB1F1 | 284 |
| IO22NB1F1 | 277 |
| IO22PB1F1 | 278 |
| IO23NB1F1 | 281 |
| IO23PB1F1 | 282 |

| CQ352 | |
|----------------|------------|
| AX250 Function | Pin Number |
| IO24NB1F1 | 275 |
| IO24PB1F1 | 276 |
| IO25NB1F1 | 271 |
| IO25PB1F1 | 272 |
| IO27NB1F1 | 269 |
| IO27PB1F1 | 270 |
| Bank 2 | |
| IO29NB2F2 | 261 |
| IO29PB2F2 | 262 |
| IO30NB2F2 | 259 |
| IO30PB2F2 | 260 |
| IO31NB2F2 | 255 |
| IO31PB2F2 | 256 |
| IO33NB2F2 | 249 |
| IO33PB2F2 | 250 |
| IO34NB2F2 | 253 |
| IO34PB2F2 | 254 |
| IO35NB2F2 | 247 |
| IO35PB2F2 | 248 |
| IO36NB2F2 | 243 |
| IO36PB2F2 | 244 |
| IO37NB2F2 | 241 |
| IO37PB2F2 | 242 |
| IO38NB2F2 | 237 |
| IO38PB2F2 | 238 |
| IO39NB2F2 | 235 |
| IO39PB2F2 | 236 |
| IO41NB2F2 | 231 |
| IO41PB2F2 | 232 |
| IO42NB2F2 | 229 |
| IO42PB2F2 | 230 |
| IO43NB2F2 | 225 |
| IO43PB2F2 | 226 |
| IO44NB2F2 | 223 |
| IO44PB2F2 | 224 |

| CQ352 | |
|----------------|------------|
| AX250 Function | Pin Number |
| Bank 3 | |
| IO45NB3F3 | 217 |
| IO45PB3F3 | 218 |
| IO46NB3F3 | 219 |
| IO46PB3F3 | 220 |
| IO47NB3F3 | 213 |
| IO47PB3F3 | 214 |
| IO48NB3F3 | 211 |
| IO48PB3F3 | 212 |
| IO49NB3F3 | 207 |
| IO49PB3F3 | 208 |
| IO51NB3F3 | 205 |
| IO51PB3F3 | 206 |
| IO52NB3F3 | 201 |
| IO52PB3F3 | 202 |
| IO53NB3F3 | 199 |
| IO53PB3F3 | 200 |
| IO54NB3F3 | 195 |
| IO54PB3F3 | 196 |
| IO55NB3F3 | 193 |
| IO55PB3F3 | 194 |
| IO56NB3F3 | 187 |
| IO56PB3F3 | 188 |
| IO57NB3F3 | 189 |
| IO57PB3F3 | 190 |
| IO59NB3F3 | 183 |
| IO59PB3F3 | 184 |
| IO60NB3F3 | 181 |
| IO60PB3F3 | 182 |
| IO61NB3F3 | 179 |
| IO61PB3F3 | 180 |
| Bank 4 | |
| IO62NB4F4 | 172 |
| IO62PB4F4 | 173 |
| IO64NB4F4 | 166 |

| CQ352 | | CQ352 | | CQ352 | |
|-----------------|------------|----------------|------------|----------------------|------------|
| AX250 Function | Pin Number | AX250 Function | Pin Number | AX250 Function | Pin Number |
| IO64PB4F4 | 167 | IO85PB5F5 | 105 | IO106NB6F6 | 46 |
| IO65NB4F4 | 170 | IO86NB5F5 | 98 | IO106PB6F6 | 47 |
| IO65PB4F4 | 171 | IO86PB5F5 | 99 | Bank 7 | |
| IO66NB4F4 | 164 | IO87NB5F5 | 94 | IO107NB7F7 | 40 |
| IO66PB4F4 | 165 | IO87PB5F5 | 95 | IO107PB7F7 | 41 |
| IO67NB4F4 | 160 | IO89NB5F5 | 92 | IO108NB7F7 | 42 |
| IO67PB4F4 | 161 | IO89PB5F5 | 93 | IO108PB7F7 | 43 |
| IO68NB4F4 | 158 | Bank 6 | | IO109NB7F7 | 36 |
| IO68PB4F4 | 159 | IO90PB6F6 | 86 | IO109PB7F7 | 37 |
| IO70NB4F4 | 154 | IO91NB6F6 | 84 | IO110NB7F7 | 34 |
| IO70PB4F4 | 155 | IO91PB6F6 | 85 | IO110PB7F7 | 35 |
| IO72NB4F4 | 152 | IO92NB6F6 | 78 | IO111NB7F7 | 30 |
| IO72PB4F4 | 153 | IO92PB6F6 | 79 | IO111PB7F7 | 31 |
| IO73NB4F4 | 146 | IO93NB6F6 | 82 | IO113NB7F7 | 28 |
| IO73PB4F4 | 147 | IO93PB6F6 | 83 | IO113PB7F7 | 29 |
| IO74NB4F4/CLKEN | 142 | IO95NB6F6 | 76 | IO114NB7F7 | 24 |
| IO74PB4F4/CLKEP | 143 | IO95PB6F6 | 77 | IO114PB7F7 | 25 |
| IO75NB4F4/CLKFN | 136 | IO96NB6F6 | 72 | IO115NB7F7 | 22 |
| IO75PB4F4/CLKFP | 137 | IO96PB6F6 | 73 | IO115PB7F7 | 23 |
| Bank 5 | | IO97NB6F6 | 70 | IO116NB7F7 | 18 |
| IO76NB5F5/CLKGN | 128 | IO97PB6F6 | 71 | IO116PB7F7 | 19 |
| IO76PB5F5/CLKGP | 129 | IO98NB6F6 | 66 | IO117NB7F7 | 16 |
| IO77NB5F5/CLKHN | 122 | IO98PB6F6 | 67 | IO117PB7F7 | 17 |
| IO77PB5F5/CLKHP | 123 | IO99NB6F6 | 64 | IO118NB7F7 | 12 |
| IO78NB5F5 | 112 | IO99PB6F6 | 65 | IO118PB7F7 | 13 |
| IO78PB5F5 | 113 | IO100NB6F6 | 60 | IO119NB7F7 | 10 |
| IO79NB5F5 | 118 | IO100PB6F6 | 61 | IO119PB7F7 | 11 |
| IO79PB5F5 | 119 | IO101NB6F6 | 58 | IO121NB7F7 | 6 |
| IO80NB5F5 | 110 | IO101PB6F6 | 59 | IO121PB7F7 | 7 |
| IO80PB5F5 | 111 | IO103NB6F6 | 54 | IO123NB7F7 | 4 |
| IO82NB5F5 | 106 | IO103PB6F6 | 55 | IO123PB7F7 | 5 |
| IO82PB5F5 | 107 | IO104NB6F6 | 52 | Dedicated I/O | |
| IO84NB5F5 | 100 | IO104PB6F6 | 53 | GND | 1 |
| IO84PB5F5 | 101 | IO105NB6F6 | 48 | GND | 9 |
| IO85NB5F5 | 104 | IO105PB6F6 | 49 | GND | 15 |

| CQ352 | |
|----------------|------------|
| AX250 Function | Pin Number |
| GND | 21 |
| GND | 27 |
| GND | 33 |
| GND | 39 |
| GND | 45 |
| GND | 51 |
| GND | 57 |
| GND | 63 |
| GND | 69 |
| GND | 75 |
| GND | 81 |
| GND | 88 |
| GND | 89 |
| GND | 97 |
| GND | 103 |
| GND | 109 |
| GND | 115 |
| GND | 121 |
| GND | 133 |
| GND | 145 |
| GND | 151 |
| GND | 157 |
| GND | 163 |
| GND | 169 |
| GND | 176 |
| GND | 177 |
| GND | 186 |
| GND | 192 |
| GND | 198 |
| GND | 204 |
| GND | 210 |
| GND | 216 |
| GND | 222 |
| GND | 228 |
| GND | 234 |

| CQ352 | |
|----------------|------------|
| AX250 Function | Pin Number |
| GND | 240 |
| GND | 246 |
| GND | 252 |
| GND | 258 |
| GND | 264 |
| GND | 265 |
| GND | 274 |
| GND | 280 |
| GND | 286 |
| GND | 292 |
| GND | 298 |
| GND | 310 |
| GND | 322 |
| GND | 330 |
| GND | 334 |
| GND | 340 |
| GND | 345 |
| GND | 352 |
| NC | 91 |
| NC | 117 |
| NC | 130 |
| NC | 131 |
| NC | 148 |
| NC | 174 |
| NC | 268 |
| NC | 294 |
| NC | 307 |
| NC | 308 |
| NC | 327 |
| NC | 328 |
| PRA | 312 |
| PRB | 311 |
| PRC | 135 |
| PRD | 134 |
| TCK | 349 |

| CQ352 | |
|----------------|------------|
| AX250 Function | Pin Number |
| TDI | 348 |
| TDO | 347 |
| TMS | 350 |
| TRST | 351 |
| VCCA | 3 |
| VCCA | 14 |
| VCCA | 32 |
| VCCA | 56 |
| VCCA | 74 |
| VCCA | 87 |
| VCCA | 102 |
| VCCA | 114 |
| VCCA | 150 |
| VCCA | 162 |
| VCCA | 175 |
| VCCA | 191 |
| VCCA | 209 |
| VCCA | 233 |
| VCCA | 251 |
| VCCA | 263 |
| VCCA | 279 |
| VCCA | 291 |
| VCCA | 329 |
| VCCA | 339 |
| VCCDA | 2 |
| VCCDA | 44 |
| VCCDA | 90 |
| VCCDA | 116 |
| VCCDA | 132 |
| VCCDA | 149 |
| VCCDA | 178 |
| VCCDA | 221 |
| VCCDA | 266 |
| VCCDA | 293 |
| VCCDA | 309 |

| CQ352 | |
|-----------------------|-------------------|
| AX250 Function | Pin Number |
| VCCDA | 346 |
| VCCIB0 | 321 |
| VCCIB0 | 333 |
| VCCIB0 | 344 |
| VCCIB1 | 273 |
| VCCIB1 | 285 |
| VCCIB1 | 297 |
| VCCIB2 | 227 |
| VCCIB2 | 239 |
| VCCIB2 | 245 |
| VCCIB2 | 257 |
| VCCIB3 | 185 |
| VCCIB3 | 197 |
| VCCIB3 | 203 |
| VCCIB3 | 215 |
| VCCIB4 | 144 |
| VCCIB4 | 156 |
| VCCIB4 | 168 |
| VCCIB5 | 96 |
| VCCIB5 | 108 |
| VCCIB5 | 120 |
| VCCIB6 | 50 |
| VCCIB6 | 62 |
| VCCIB6 | 68 |
| VCCIB6 | 80 |
| VCCIB7 | 8 |
| VCCIB7 | 20 |
| VCCIB7 | 26 |
| VCCIB7 | 38 |
| VCCPLA | 317 |
| VCCPLB | 315 |
| VCCPLC | 303 |
| VCCPLD | 301 |
| VCCPLE | 140 |
| VCCPLF | 138 |

| CQ352 | |
|-----------------------|-------------------|
| AX250 Function | Pin Number |
| VCCPLG | 126 |
| VCCPLH | 124 |
| VCOMPLA | 318 |
| VCOMPLB | 316 |
| VCOMPLC | 304 |
| VCOMPLD | 302 |
| VCOMPLE | 141 |
| VCOMPLF | 139 |
| VCOMPLG | 127 |
| VCOMPLH | 125 |
| VPUMP | 267 |

| CQ352 | |
|------------------|------------|
| AX500 Function | Pin Number |
| Bank 0 | |
| IO00PB0F0 | 343 |
| IO03NB0F0 | 341 |
| IO03PB0F0 | 342 |
| IO05NB0F0 | 337 |
| IO05PB0F0 | 338 |
| IO07NB0F0 | 335 |
| IO07PB0F0 | 336 |
| IO09NB0F0 | 331 |
| IO09PB0F0 | 332 |
| IO15NB0F1 | 325 |
| IO15PB0F1 | 326 |
| IO17NB0F1 | 323 |
| IO17PB0F1 | 324 |
| IO19NB0F1/HCLKAN | 319 |
| IO19PB0F1/HCLKAP | 320 |
| IO20NB0F1/HCLKBN | 313 |
| IO20PB0F1/HCLKBP | 314 |
| Bank 1 | |
| IO21NB1F2/HCLKCN | 305 |
| IO21PB1F2/HCLKCP | 306 |
| IO22NB1F2/HCLKDN | 299 |
| IO22PB1F2/HCLKDP | 300 |
| IO23NB1F2 | 289 |
| IO23PB1F2 | 290 |
| IO24NB1F2 | 295 |
| IO24PB1F2 | 296 |
| IO25NB1F2 | 287 |
| IO25PB1F2 | 288 |
| IO27NB1F2 | 283 |
| IO27PB1F2 | 284 |
| IO29NB1F2 | 281 |
| IO29PB1F2 | 282 |
| IO31NB1F2 | 277 |
| IO31PB1F2 | 278 |

| CQ352 | |
|----------------|------------|
| AX500 Function | Pin Number |
| IO35NB1F3 | 275 |
| IO35PB1F3 | 276 |
| IO37NB1F3 | 271 |
| IO37PB1F3 | 272 |
| IO41NB1F3 | 269 |
| IO41PB1F3 | 270 |
| Bank 2 | |
| IO43NB2F4 | 261 |
| IO43PB2F4 | 262 |
| IO45NB2F4 | 259 |
| IO45PB2F4 | 260 |
| IO47NB2F4 | 255 |
| IO47PB2F4 | 256 |
| IO49NB2F4 | 253 |
| IO49PB2F4 | 254 |
| IO50NB2F4 | 247 |
| IO50PB2F4 | 248 |
| IO51NB2F4 | 249 |
| IO51PB2F4 | 250 |
| IO53NB2F5 | 243 |
| IO53PB2F5 | 244 |
| IO54NB2F5 | 241 |
| IO54PB2F5 | 242 |
| IO55NB2F5 | 237 |
| IO55PB2F5 | 238 |
| IO57NB2F5 | 235 |
| IO57PB2F5 | 236 |
| IO58NB2F5 | 231 |
| IO58PB2F5 | 232 |
| IO59NB2F5 | 229 |
| IO59PB2F5 | 230 |
| IO61NB2F5 | 225 |
| IO61PB2F5 | 226 |
| IO62NB2F5 | 223 |
| IO62PB2F5 | 224 |

| CQ352 | |
|----------------|------------|
| AX500 Function | Pin Number |
| Bank 3 | |
| IO63NB3F6 | 217 |
| IO63PB3F6 | 218 |
| IO64NB3F6 | 219 |
| IO64PB3F6 | 220 |
| IO65NB3F6 | 213 |
| IO65PB3F6 | 214 |
| IO67NB3F6 | 207 |
| IO67PB3F6 | 208 |
| IO68NB3F6 | 211 |
| IO68PB3F6 | 212 |
| IO69NB3F6 | 205 |
| IO69PB3F6 | 206 |
| IO71NB3F6 | 201 |
| IO71PB3F6 | 202 |
| IO73NB3F6 | 199 |
| IO73PB3F6 | 200 |
| IO75NB3F7 | 193 |
| IO75PB3F7 | 194 |
| IO76NB3F7 | 195 |
| IO76PB3F7 | 196 |
| IO77NB3F7 | 189 |
| IO77PB3F7 | 190 |
| IO79NB3F7 | 187 |
| IO79PB3F7 | 188 |
| IO80NB3F7 | 183 |
| IO80PB3F7 | 184 |
| IO81NB3F7 | 181 |
| IO81PB3F7 | 182 |
| IO83NB3F7 | 179 |
| IO83PB3F7 | 180 |
| Bank 4 | |
| IO85NB4F8 | 172 |
| IO85PB4F8 | 173 |
| IO87NB4F8 | 170 |

| CQ352 | | CQ352 | | CQ352 | |
|-------------------|------------|----------------|------------|----------------------|------------|
| AX500 Function | Pin Number | AX500 Function | Pin Number | AX500 Function | Pin Number |
| IO87PB4F8 | 171 | IO119PB5F11 | 101 | IO146NB6F13 | 46 |
| IO89NB4F8 | 166 | IO121NB5F11 | 98 | IO146PB6F13 | 47 |
| IO89PB4F8 | 167 | IO121PB5F11 | 99 | Bank 7 | |
| IO94NB4F9 | 164 | IO123NB5F11 | 94 | IO147NB7F14 | 40 |
| IO94PB4F9 | 165 | IO123PB5F11 | 95 | IO147PB7F14 | 41 |
| IO95NB4F9 | 160 | IO125NB5F11 | 92 | IO148NB7F14 | 42 |
| IO95PB4F9 | 161 | IO125PB5F11 | 93 | IO148PB7F14 | 43 |
| IO97NB4F9 | 158 | Bank 6 | | IO149NB7F14 | 36 |
| IO97PB4F9 | 159 | IO126PB6F12 | 86 | IO149PB7F14 | 37 |
| IO99NB4F9 | 154 | IO127NB6F12 | 84 | IO151NB7F14 | 30 |
| IO99PB4F9 | 155 | IO127PB6F12 | 85 | IO151PB7F14 | 31 |
| IO100NB4F9 | 146 | IO129NB6F12 | 82 | IO152NB7F14 | 34 |
| IO100PB4F9 | 147 | IO129PB6F12 | 83 | IO152PB7F14 | 35 |
| IO101NB4F9 | 152 | IO131NB6F12 | 78 | IO153NB7F14 | 28 |
| IO101PB4F9 | 153 | IO131PB6F12 | 79 | IO153PB7F14 | 29 |
| IO103NB4F9/CLKEN | 142 | IO133NB6F12 | 76 | IO155NB7F14 | 24 |
| IO103PB4F9/CLKEP | 143 | IO133PB6F12 | 77 | IO155PB7F14 | 25 |
| IO104NB4F9/CLKFN | 136 | IO134NB6F12 | 72 | IO157NB7F14 | 22 |
| IO104PB4F9/CLKFP | 137 | IO134PB6F12 | 73 | IO157PB7F14 | 23 |
| Bank 5 | | IO135NB6F12 | 70 | IO159NB7F15 | 16 |
| IO105NB5F10/CLKGN | 128 | IO135PB6F12 | 71 | IO159PB7F15 | 17 |
| IO105PB5F10/CLKGP | 129 | IO137NB6F13 | 66 | IO160NB7F15 | 18 |
| IO106NB5F10/CLKHN | 122 | IO137PB6F13 | 67 | IO160PB7F15 | 19 |
| IO106PB5F10/CLKHP | 123 | IO138NB6F13 | 64 | IO161NB7F15 | 12 |
| IO107NB5F10 | 118 | IO138PB6F13 | 65 | IO161PB7F15 | 13 |
| IO107PB5F10 | 119 | IO139NB6F13 | 60 | IO163NB7F15 | 10 |
| IO114NB5F11 | 112 | IO139PB6F13 | 61 | IO163PB7F15 | 11 |
| IO114PB5F11 | 113 | IO141NB6F13 | 54 | IO165NB7F15 | 6 |
| IO115NB5F11 | 110 | IO141PB6F13 | 55 | IO165PB7F15 | 7 |
| IO115PB5F11 | 111 | IO142NB6F13 | 58 | IO167NB7F15 | 4 |
| IO116NB5F11 | 106 | IO142PB6F13 | 59 | IO167PB7F15 | 5 |
| IO116PB5F11 | 107 | IO143NB6F13 | 52 | Dedicated I/O | |
| IO117NB5F11 | 104 | IO143PB6F13 | 53 | GND | 1 |
| IO117PB5F11 | 105 | IO145NB6F13 | 48 | GND | 9 |
| IO119NB5F11 | 100 | IO145PB6F13 | 49 | GND | 15 |

| CQ352 | |
|----------------|------------|
| AX500 Function | Pin Number |
| GND | 21 |
| GND | 27 |
| GND | 33 |
| GND | 39 |
| GND | 45 |
| GND | 51 |
| GND | 57 |
| GND | 63 |
| GND | 69 |
| GND | 75 |
| GND | 81 |
| GND | 88 |
| GND | 89 |
| GND | 97 |
| GND | 103 |
| GND | 109 |
| GND | 115 |
| GND | 121 |
| GND | 133 |
| GND | 145 |
| GND | 151 |
| GND | 157 |
| GND | 163 |
| GND | 169 |
| GND | 176 |
| GND | 177 |
| GND | 186 |
| GND | 192 |
| GND | 198 |
| GND | 204 |
| GND | 210 |
| GND | 216 |
| GND | 222 |
| GND | 228 |
| GND | 234 |

| CQ352 | |
|----------------|------------|
| AX500 Function | Pin Number |
| GND | 240 |
| GND | 246 |
| GND | 252 |
| GND | 258 |
| GND | 264 |
| GND | 265 |
| GND | 274 |
| GND | 280 |
| GND | 286 |
| GND | 292 |
| GND | 298 |
| GND | 310 |
| GND | 322 |
| GND | 330 |
| GND | 334 |
| GND | 340 |
| GND | 345 |
| GND/LP | 352 |
| NC | 91 |
| NC | 117 |
| NC | 130 |
| NC | 131 |
| NC | 148 |
| NC | 174 |
| NC | 268 |
| NC | 294 |
| NC | 307 |
| NC | 308 |
| NC | 327 |
| NC | 328 |
| PRA | 312 |
| PRB | 311 |
| PRC | 135 |
| PRD | 134 |
| TCK | 349 |

| CQ352 | |
|----------------|------------|
| AX500 Function | Pin Number |
| TDI | 348 |
| TDO | 347 |
| TMS | 350 |
| TRST | 351 |
| VCCA | 3 |
| VCCA | 14 |
| VCCA | 32 |
| VCCA | 56 |
| VCCA | 74 |
| VCCA | 87 |
| VCCA | 102 |
| VCCA | 114 |
| VCCA | 150 |
| VCCA | 162 |
| VCCA | 175 |
| VCCA | 191 |
| VCCA | 209 |
| VCCA | 233 |
| VCCA | 251 |
| VCCA | 263 |
| VCCA | 279 |
| VCCA | 291 |
| VCCA | 329 |
| VCCA | 339 |
| VCCDA | 2 |
| VCCDA | 44 |
| VCCDA | 90 |
| VCCDA | 116 |
| VCCDA | 132 |
| VCCDA | 149 |
| VCCDA | 178 |
| VCCDA | 221 |
| VCCDA | 266 |
| VCCDA | 293 |
| VCCDA | 309 |

| CQ352 | |
|----------------|------------|
| AX500 Function | Pin Number |
| VCCDA | 346 |
| VCCIB0 | 321 |
| VCCIB0 | 333 |
| VCCIB0 | 344 |
| VCCIB1 | 273 |
| VCCIB1 | 285 |
| VCCIB1 | 297 |
| VCCIB2 | 227 |
| VCCIB2 | 239 |
| VCCIB2 | 245 |
| VCCIB2 | 257 |
| VCCIB3 | 185 |
| VCCIB3 | 197 |
| VCCIB3 | 203 |
| VCCIB3 | 215 |
| VCCIB4 | 144 |
| VCCIB4 | 156 |
| VCCIB4 | 168 |
| VCCIB5 | 96 |
| VCCIB5 | 108 |
| VCCIB5 | 120 |
| VCCIB6 | 50 |
| VCCIB6 | 62 |
| VCCIB6 | 68 |
| VCCIB6 | 80 |
| VCCIB7 | 8 |
| VCCIB7 | 20 |
| VCCIB7 | 26 |
| VCCIB7 | 38 |
| VCCPLA | 317 |
| VCCPLB | 315 |
| VCCPLC | 303 |
| VCCPLD | 301 |
| VCCPLE | 140 |
| VCCPLF | 138 |

| CQ352 | |
|----------------|------------|
| AX500 Function | Pin Number |
| VCCPLG | 126 |
| VCCPLH | 124 |
| VCOMPLA | 318 |
| VCOMPLB | 316 |
| VCOMPLC | 304 |
| VCOMPLD | 302 |
| VCOMPLE | 141 |
| VCOMPLF | 139 |
| VCOMPLG | 127 |
| VCOMPLH | 125 |
| VPUMP | 267 |

| CQ352 | | CQ352 | | CQ352 | |
|------------------|------------|-----------------|------------|-----------------|------------|
| AX1000 Function | Pin Number | AX1000 Function | Pin Number | AX1000 Function | Pin Number |
| Bank 0 | | IO60NB1F5 | 275 | Bank 3 | |
| IO02NB0F0 | 341 | IO60PB1F5 | 276 | IO96NB3F9 | 217 |
| IO02PB0F0 | 342 | IO61NB1F5 | 271 | IO96PB3F9 | 218 |
| IO03PB0F0 | 343 | IO61PB1F5 | 272 | IO97NB3F9 | 219 |
| IO04NB0F0 | 337 | IO63NB1F5 | 269 | IO97PB3F9 | 220 |
| IO04PB0F0 | 338 | IO63PB1F5 | 270 | IO99NB3F9 | 213 |
| IO08NB0F0 | 331 | Bank 2 | | IO99PB3F9 | 214 |
| IO08PB0F0 | 332 | IO64NB2F6 | 259 | IO108NB3F10 | 211 |
| IO09NB0F0 | 335 | IO64PB2F6 | 260 | IO108PB3F10 | 212 |
| IO09PB0F0 | 336 | IO67NB2F6 | 261 | IO109NB3F10 | 207 |
| IO24NB0F2 | 325 | IO67PB2F6 | 262 | IO109PB3F10 | 208 |
| IO24PB0F2 | 326 | IO68NB2F6 | 255 | IO111NB3F10 | 205 |
| IO25NB0F2 | 323 | IO68PB2F6 | 256 | IO111PB3F10 | 206 |
| IO25PB0F2 | 324 | IO69NB2F6 | 253 | IO112NB3F10 | 199 |
| IO30NB0F2/HCLKAN | 319 | IO69PB2F6 | 254 | IO112PB3F10 | 200 |
| IO30PB0F2/HCLKAP | 320 | IO74NB2F7 | 249 | IO113NB3F10 | 201 |
| IO31NB0F2/HCLKBN | 313 | IO74PB2F7 | 250 | IO113PB3F10 | 202 |
| IO31PB0F2/HCLKBP | 314 | IO75NB2F7 | 247 | IO115NB3F10 | 195 |
| Bank 1 | | IO75PB2F7 | 248 | IO115PB3F10 | 196 |
| IO32NB1F3/HCLKCN | 305 | IO76NB2F7 | 243 | IO116NB3F10 | 193 |
| IO32PB1F3/HCLKCP | 306 | IO76PB2F7 | 244 | IO116PB3F10 | 194 |
| IO33NB1F3/HCLKDN | 299 | IO77NB2F7 | 241 | IO117NB3F10 | 189 |
| IO33PB1F3/HCLKDP | 300 | IO77PB2F7 | 242 | IO117PB3F10 | 190 |
| IO38NB1F3 | 295 | IO78NB2F7 | 237 | IO124NB3F11 | 183 |
| IO38PB1F3 | 296 | IO78PB2F7 | 238 | IO124PB3F11 | 184 |
| IO54NB1F5 | 287 | IO79NB2F7 | 235 | IO125NB3F11 | 187 |
| IO54PB1F5 | 288 | IO79PB2F7 | 236 | IO125PB3F11 | 188 |
| IO55NB1F5 | 289 | IO82NB2F7 | 231 | IO127NB3F11 | 181 |
| IO55PB1F5 | 290 | IO82PB2F7 | 232 | IO127PB3F11 | 182 |
| IO56NB1F5 | 281 | IO83NB2F7 | 229 | IO128NB3F11 | 179 |
| IO56PB1F5 | 282 | IO83PB2F7 | 230 | IO128PB3F11 | 180 |
| IO57NB1F5 | 283 | IO94NB2F8 | 225 | Bank 4 | |
| IO57PB1F5 | 284 | IO94PB2F8 | 226 | IO130NB4F12 | 172 |
| IO59NB1F5 | 277 | IO95NB2F8 | 223 | IO130PB4F12 | 173 |
| IO59PB1F5 | 278 | IO95PB2F8 | 224 | IO131NB4F12 | 170 |

| CQ352 | | CQ352 | | CQ352 | |
|-------------------|------------|-----------------|------------|----------------------|------------|
| AX1000 Function | Pin Number | AX1000 Function | Pin Number | AX1000 Function | Pin Number |
| IO131PB4F12 | 171 | IO187PB5F17 | 99 | IO224NB6F20 | 46 |
| IO132NB4F12 | 166 | IO188NB5F17 | 100 | IO224PB6F20 | 47 |
| IO132PB4F12 | 167 | IO188PB5F17 | 101 | Bank 7 | |
| IO133NB4F12 | 164 | IO190NB5F17 | 94 | IO225NB7F21 | 40 |
| IO133PB4F12 | 165 | IO190PB5F17 | 95 | IO225PB7F21 | 41 |
| IO134NB4F12 | 160 | IO192NB5F17 | 92 | IO226NB7F21 | 42 |
| IO134PB4F12 | 161 | IO192PB5F17 | 93 | IO226PB7F21 | 43 |
| IO136NB4F12 | 158 | Bank 6 | | IO237NB7F22 | 34 |
| IO136PB4F12 | 159 | IO193PB6F18 | 86 | IO237PB7F22 | 35 |
| IO137NB4F12 | 154 | IO194NB6F18 | 84 | IO238NB7F22 | 36 |
| IO137PB4F12 | 155 | IO194PB6F18 | 85 | IO238PB7F22 | 37 |
| IO138NB4F12 | 152 | IO196NB6F18 | 78 | IO240NB7F22 | 30 |
| IO138PB4F12 | 153 | IO196PB6F18 | 79 | IO240PB7F22 | 31 |
| IO153NB4F14 | 146 | IO197NB6F18 | 82 | IO241NB7F22 | 28 |
| IO153PB4F14 | 147 | IO197PB6F18 | 83 | IO241PB7F22 | 29 |
| IO159NB4F14/CLKEN | 142 | IO198NB6F18 | 76 | IO242NB7F22 | 24 |
| IO159PB4F14/CLKEP | 143 | IO198PB6F18 | 77 | IO242PB7F22 | 25 |
| IO160NB4F14/CLKFN | 136 | IO203NB6F19 | 72 | IO244NB7F22 | 22 |
| IO160PB4F14/CLKFP | 137 | IO203PB6F19 | 73 | IO244PB7F22 | 23 |
| Bank 5 | | IO204NB6F19 | 70 | IO245NB7F22 | 18 |
| IO161NB5F15/CLKGN | 128 | IO204PB6F19 | 71 | IO245PB7F22 | 19 |
| IO161PB5F15/CLKGP | 129 | IO205NB6F19 | 66 | IO246NB7F22 | 16 |
| IO162NB5F15/CLKHN | 122 | IO205PB6F19 | 67 | IO246PB7F22 | 17 |
| IO162PB5F15/CLKHP | 123 | IO206NB6F19 | 64 | IO249NB7F23 | 12 |
| IO167NB5F15 | 118 | IO206PB6F19 | 65 | IO249PB7F23 | 13 |
| IO167PB5F15 | 119 | IO207NB6F19 | 60 | IO250NB7F23 | 10 |
| IO183NB5F17 | 110 | IO207PB6F19 | 61 | IO250PB7F23 | 11 |
| IO183PB5F17 | 111 | IO208NB6F19 | 58 | IO256NB7F23 | 4 |
| IO184NB5F17 | 112 | IO208PB6F19 | 59 | IO256PB7F23 | 5 |
| IO184PB5F17 | 113 | IO211NB6F19 | 54 | IO257NB7F23 | 6 |
| IO185NB5F17 | 104 | IO211PB6F19 | 55 | IO257PB7F23 | 7 |
| IO185PB5F17 | 105 | IO212NB6F19 | 52 | Dedicated I/O | |
| IO186NB5F17 | 106 | IO212PB6F19 | 53 | GND | 1 |
| IO186PB5F17 | 107 | IO223NB6F20 | 48 | GND | 9 |
| IO187NB5F17 | 98 | IO223PB6F20 | 49 | GND | 15 |

| CQ352 | | CQ352 | | CQ352 | |
|-----------------|------------|-----------------|------------|-----------------|------------|
| AX1000 Function | Pin Number | AX1000 Function | Pin Number | AX1000 Function | Pin Number |
| GND | 21 | GND | 240 | VCCA | 14 |
| GND | 27 | GND | 246 | VCCA | 32 |
| GND | 33 | GND | 252 | VCCA | 56 |
| GND | 39 | GND | 258 | VCCA | 74 |
| GND | 45 | GND | 264 | VCCA | 87 |
| GND | 51 | GND | 265 | VCCA | 102 |
| GND | 57 | GND | 274 | VCCA | 114 |
| GND | 63 | GND | 280 | VCCA | 150 |
| GND | 69 | GND | 286 | VCCA | 162 |
| GND | 75 | GND | 292 | VCCA | 175 |
| GND | 81 | GND | 298 | VCCA | 191 |
| GND | 88 | GND | 310 | VCCA | 209 |
| GND | 89 | GND | 322 | VCCA | 233 |
| GND | 97 | GND | 330 | VCCA | 251 |
| GND | 103 | GND | 334 | VCCA | 263 |
| GND | 109 | GND | 340 | VCCA | 279 |
| GND | 115 | GND | 345 | VCCA | 291 |
| GND | 121 | GND | 352 | VCCA | 329 |
| GND | 133 | NC | 91 | VCCA | 339 |
| GND | 145 | NC | 130 | VCCDA | 2 |
| GND | 151 | NC | 131 | VCCDA | 44 |
| GND | 157 | NC | 174 | VCCDA | 90 |
| GND | 163 | NC | 268 | VCCDA | 116 |
| GND | 169 | NC | 307 | VCCDA | 117 |
| GND | 176 | NC | 308 | VCCDA | 132 |
| GND | 177 | PRA | 312 | VCCDA | 148 |
| GND | 186 | PRB | 311 | VCCDA | 149 |
| GND | 192 | PRC | 135 | VCCDA | 178 |
| GND | 198 | PRD | 134 | VCCDA | 221 |
| GND | 204 | TCK | 349 | VCCDA | 266 |
| GND | 210 | TDI | 348 | VCCDA | 293 |
| GND | 216 | TDO | 347 | VCCDA | 294 |
| GND | 222 | TMS | 350 | VCCDA | 309 |
| GND | 228 | TRST | 351 | VCCDA | 327 |
| GND | 234 | VCCA | 3 | VCCDA | 328 |

| CQ352 | | CQ352 | |
|-----------------|------------|-----------------|------------|
| AX1000 Function | Pin Number | AX1000 Function | Pin Number |
| VCCDA | 346 | VCCPLG | 126 |
| VCCIB0 | 321 | VCCPLH | 124 |
| VCCIB0 | 333 | VCOMPLA | 318 |
| VCCIB0 | 344 | VCOMPLB | 316 |
| VCCIB1 | 273 | VCOMPLC | 304 |
| VCCIB1 | 285 | VCOMPLD | 302 |
| VCCIB1 | 297 | VCOMPLE | 141 |
| VCCIB2 | 227 | VCOMPLF | 139 |
| VCCIB2 | 239 | VCOMPLG | 127 |
| VCCIB2 | 245 | VCOMPLH | 125 |
| VCCIB2 | 257 | VPUMP | 267 |
| VCCIB3 | 185 | | |
| VCCIB3 | 197 | | |
| VCCIB3 | 203 | | |
| VCCIB3 | 215 | | |
| VCCIB4 | 144 | | |
| VCCIB4 | 156 | | |
| VCCIB4 | 168 | | |
| VCCIB5 | 96 | | |
| VCCIB5 | 108 | | |
| VCCIB5 | 120 | | |
| VCCIB6 | 50 | | |
| VCCIB6 | 62 | | |
| VCCIB6 | 68 | | |
| VCCIB6 | 80 | | |
| VCCIB7 | 8 | | |
| VCCIB7 | 20 | | |
| VCCIB7 | 26 | | |
| VCCIB7 | 38 | | |
| VCCPLA | 317 | | |
| VCCPLB | 315 | | |
| VCCPLC | 303 | | |
| VCCPLD | 301 | | |
| VCCPLE | 140 | | |
| VCCPLF | 138 | | |

| CQ352 | |
|------------------|------------|
| AX2000 Function | Pin Number |
| Bank 0 | |
| IO01NB0F0 | 341 |
| IO01PB0F0 | 342 |
| IO02PB0F0 | 343 |
| IO04NB0F0 | 337 |
| IO04PB0F0 | 338 |
| IO05NB0F0 | 335 |
| IO05PB0F0 | 336 |
| IO08NB0F0 | 331 |
| IO08PB0F0 | 332 |
| IO37NB0F3 | 325 |
| IO37PB0F3 | 326 |
| IO38NB0F3 | 323 |
| IO38PB0F3 | 324 |
| IO41NB0F3/HCLKAN | 319 |
| IO41PB0F3/HCLKAP | 320 |
| IO42NB0F3/HCLKBN | 313 |
| IO42PB0F3/HCLKBP | 314 |
| Bank 1 | |
| IO43NB1F4/HCLKCN | 305 |
| IO43PB1F4/HCLKCP | 306 |
| IO44NB1F4/HCLKDN | 299 |
| IO44PB1F4/HCLKDP | 300 |
| IO48NB1F4 | 295 |
| IO48PB1F4 | 296 |
| IO65NB1F6 | 283 |
| IO65PB1F6 | 284 |
| IO66NB1F6 | 289 |
| IO66PB1F6 | 290 |
| IO68NB1F6 | 287 |
| IO68PB1F6 | 288 |
| IO69NB1F6 | 275 |
| IO69PB1F6 | 276 |
| IO70NB1F6 | 281 |
| IO70PB1F6 | 282 |

| CQ352 | |
|-----------------|------------|
| AX2000 Function | Pin Number |
| IO71NB1F6 | 277 |
| IO71PB1F6 | 278 |
| IO73NB1F6 | 269 |
| IO73PB1F6 | 270 |
| IO74NB1F6 | 271 |
| IO74PB1F6 | 272 |
| Bank 2 | |
| IO87NB2F8 | 261 |
| IO87PB2F8 | 262 |
| IO88NB2F8 | 255 |
| IO88PB2F8 | 256 |
| IO89NB2F8 | 259 |
| IO89PB2F8 | 260 |
| IO91NB2F8 | 253 |
| IO91PB2F8 | 254 |
| IO99NB2F9 | 249 |
| IO99PB2F9 | 250 |
| IO100NB2F9 | 247 |
| IO100PB2F9 | 248 |
| IO107NB2F10 | 243 |
| IO107PB2F10 | 244 |
| IO110NB2F10 | 241 |
| IO110PB2F10 | 242 |
| IO111NB2F10 | 237 |
| IO111PB2F10 | 238 |
| IO112NB2F10 | 235 |
| IO112PB2F10 | 236 |
| IO113NB2F10 | 231 |
| IO113PB2F10 | 232 |
| IO114NB2F10 | 229 |
| IO114PB2F10 | 230 |
| IO115NB2F10 | 225 |
| IO115PB2F10 | 226 |
| IO117NB2F10 | 223 |
| IO117PB2F10 | 224 |

| CQ352 | |
|-----------------|------------|
| AX2000 Function | Pin Number |
| Bank 3 | |
| IO129NB3F12 | 219 |
| IO129PB3F12 | 220 |
| IO132NB3F12 | 217 |
| IO132PB3F12 | 218 |
| IO137NB3F12 | 213 |
| IO137PB3F12 | 214 |
| IO139NB3F13 | 211 |
| IO139PB3F13 | 212 |
| IO141NB3F13 | 205 |
| IO141PB3F13 | 206 |
| IO142NB3F13 | 207 |
| IO142PB3F13 | 208 |
| IO145NB3F13 | 199 |
| IO145PB3F13 | 200 |
| IO146NB3F13 | 201 |
| IO146PB3F13 | 202 |
| IO147NB3F13 | 193 |
| IO147PB3F13 | 194 |
| IO148NB3F13 | 195 |
| IO148PB3F13 | 196 |
| IO149NB3F13 | 189 |
| IO149PB3F13 | 190 |
| IO161NB3F15 | 183 |
| IO161PB3F15 | 184 |
| IO163NB3F15 | 187 |
| IO163PB3F15 | 188 |
| IO165NB3F15 | 181 |
| IO165PB3F15 | 182 |
| IO167NB3F15 | 179 |
| IO167PB3F15 | 180 |
| Bank 4 | |
| IO181NB4F17 | 172 |
| IO181PB4F17 | 173 |
| IO182NB4F17 | 170 |

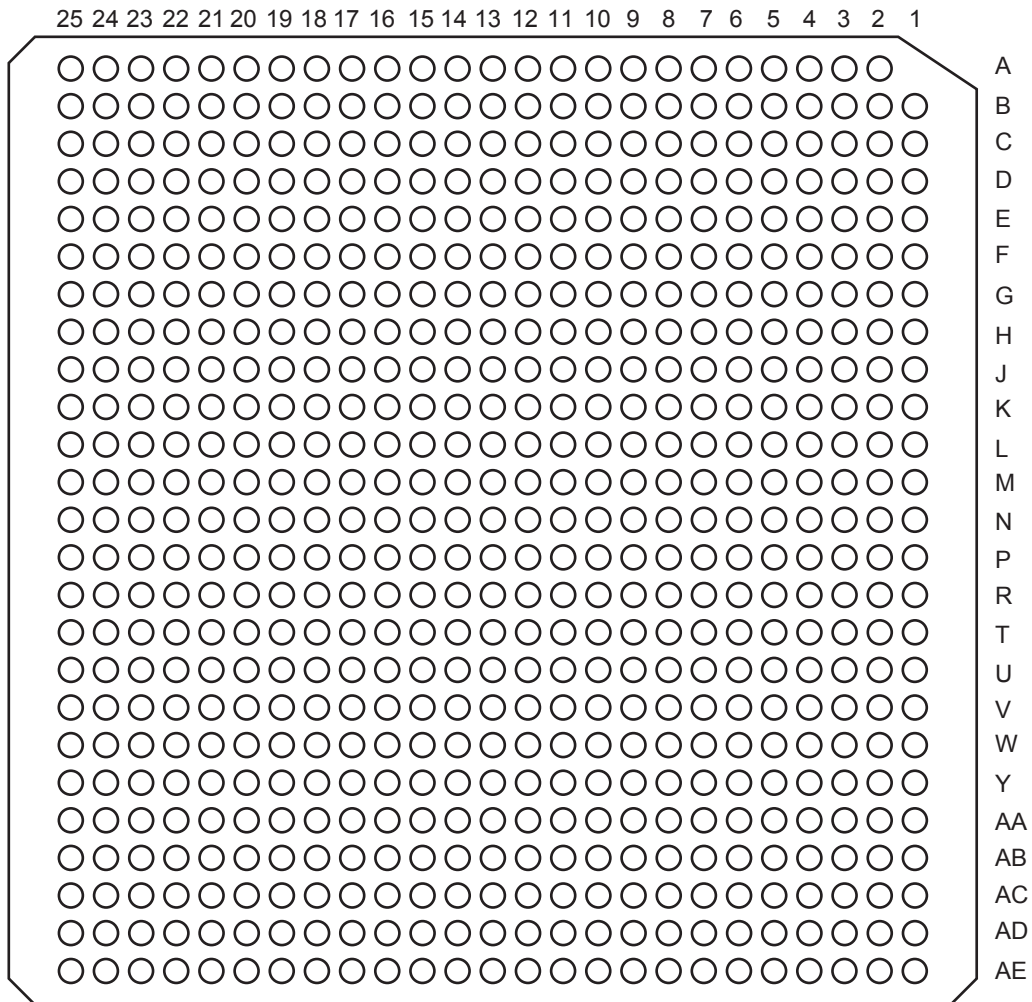
| CQ352 | | CQ352 | | CQ352 | |
|-------------------|------------|-----------------|------------|----------------------|------------|
| AX2000 Function | Pin Number | AX2000 Function | Pin Number | AX2000 Function | Pin Number |
| IO182PB4F17 | 171 | IO240PB5F22 | 101 | IO296NB6F27 | 46 |
| IO183NB4F17 | 166 | IO242NB5F22 | 94 | IO296PB6F27 | 47 |
| IO183PB4F17 | 167 | IO242PB5F22 | 95 | Bank 7 | |
| IO184NB4F17 | 164 | IO243NB5F22 | 98 | IO300NB7F28 | 42 |
| IO184PB4F17 | 165 | IO243PB5F22 | 99 | IO300PB7F28 | 43 |
| IO185NB4F17 | 160 | IO244NB5F22 | 92 | IO303NB7F28 | 40 |
| IO185PB4F17 | 161 | IO244PB5F22 | 93 | IO303PB7F28 | 41 |
| IO190NB4F17 | 158 | Bank 6 | | IO310NB7F29 | 34 |
| IO190PB4F17 | 159 | IO257PB6F24 | 86 | IO310PB7F29 | 35 |
| IO191NB4F17 | 154 | IO258NB6F24 | 84 | IO311NB7F29 | 36 |
| IO191PB4F17 | 155 | IO258PB6F24 | 85 | IO311PB7F29 | 37 |
| IO192NB4F17 | 152 | IO261NB6F24 | 82 | IO312NB7F29 | 28 |
| IO192PB4F17 | 153 | IO261PB6F24 | 83 | IO312PB7F29 | 29 |
| IO207NB4F19 | 146 | IO262NB6F24 | 78 | IO315NB7F29 | 30 |
| IO207PB4F19 | 147 | IO262PB6F24 | 79 | IO315PB7F29 | 31 |
| IO212NB4F19/CLKEN | 142 | IO265NB6F24 | 76 | IO316NB7F29 | 22 |
| IO212PB4F19/CLKEP | 143 | IO265PB6F24 | 77 | IO316PB7F29 | 23 |
| IO213NB4F19/CLKFN | 136 | IO279NB6F26 | 72 | IO317NB7F29 | 24 |
| IO213PB4F19/CLKFP | 137 | IO279PB6F26 | 73 | IO317PB7F29 | 25 |
| Bank 5 | | IO280NB6F26 | 70 | IO318NB7F29 | 18 |
| IO214NB5F20/CLKGN | 128 | IO280PB6F26 | 71 | IO318PB7F29 | 19 |
| IO214PB5F20/CLKGP | 129 | IO281NB6F26 | 66 | IO320NB7F29 | 16 |
| IO215NB5F20/CLKHN | 122 | IO281PB6F26 | 67 | IO320PB7F29 | 17 |
| IO215PB5F20/CLKHP | 123 | IO282NB6F26 | 64 | IO334NB7F31 | 10 |
| IO217NB5F20 | 118 | IO282PB6F26 | 65 | IO334PB7F31 | 11 |
| IO217PB5F20 | 119 | IO284NB6F26 | 60 | IO335NB7F31 | 12 |
| IO236NB5F22 | 110 | IO284PB6F26 | 61 | IO335PB7F31 | 13 |
| IO236PB5F22 | 111 | IO285NB6F26 | 58 | IO338NB7F31 | 6 |
| IO237NB5F22 | 112 | IO285PB6F26 | 59 | IO338PB7F31 | 7 |
| IO237PB5F22 | 113 | IO286NB6F26 | 54 | IO341NB7F31 | 4 |
| IO238NB5F22 | 104 | IO286PB6F26 | 55 | IO341PB7F31 | 5 |
| IO238PB5F22 | 105 | IO287NB6F26 | 52 | Dedicated I/O | |
| IO239NB5F22 | 106 | IO287PB6F26 | 53 | GND | 1 |
| IO239PB5F22 | 107 | IO294NB6F27 | 48 | GND | 9 |
| IO240NB5F22 | 100 | IO294PB6F27 | 49 | GND | 15 |

| CQ352 | | CQ352 | | CQ352 | |
|-----------------|------------|-----------------|------------|-----------------|------------|
| AX2000 Function | Pin Number | AX2000 Function | Pin Number | AX2000 Function | Pin Number |
| GND | 21 | GND | 240 | VCCA | 150 |
| GND | 27 | GND | 246 | VCCA | 162 |
| GND | 33 | GND | 252 | VCCA | 175 |
| GND | 39 | GND | 258 | VCCA | 191 |
| GND | 45 | GND | 264 | VCCA | 209 |
| GND | 51 | GND | 265 | VCCA | 233 |
| GND | 57 | GND | 274 | VCCA | 251 |
| GND | 63 | GND | 280 | VCCA | 263 |
| GND | 69 | GND | 286 | VCCA | 279 |
| GND | 75 | GND | 292 | VCCA | 291 |
| GND | 81 | GND | 298 | VCCA | 329 |
| GND | 88 | GND | 310 | VCCA | 339 |
| GND | 89 | GND | 322 | VCCDA | 2 |
| GND | 97 | GND | 330 | VCCDA | 44 |
| GND | 103 | GND | 334 | VCCDA | 90 |
| GND | 109 | GND | 340 | VCCDA | 91 |
| GND | 115 | GND | 345 | VCCDA | 116 |
| GND | 121 | GND | 352 | VCCDA | 117 |
| GND | 133 | PRA | 312 | VCCDA | 130 |
| GND | 145 | PRB | 311 | VCCDA | 131 |
| GND | 151 | PRC | 135 | VCCDA | 132 |
| GND | 157 | PRD | 134 | VCCDA | 148 |
| GND | 163 | TCK | 349 | VCCDA | 149 |
| GND | 169 | TDI | 348 | VCCDA | 174 |
| GND | 176 | TDO | 347 | VCCDA | 178 |
| GND | 177 | TMS | 350 | VCCDA | 221 |
| GND | 186 | TRST | 351 | VCCDA | 266 |
| GND | 192 | VCCA | 3 | VCCDA | 268 |
| GND | 198 | VCCA | 14 | VCCDA | 293 |
| GND | 204 | VCCA | 32 | VCCDA | 294 |
| GND | 210 | VCCA | 56 | VCCDA | 307 |
| GND | 216 | VCCA | 74 | VCCDA | 308 |
| GND | 222 | VCCA | 87 | VCCDA | 309 |
| GND | 228 | VCCA | 102 | VCCDA | 327 |
| GND | 234 | VCCA | 114 | VCCDA | 328 |

| CQ352 | |
|-----------------|------------|
| AX2000 Function | Pin Number |
| VCCDA | 346 |
| VCCIB0 | 321 |
| VCCIB0 | 333 |
| VCCIB0 | 344 |
| VCCIB1 | 273 |
| VCCIB1 | 285 |
| VCCIB1 | 297 |
| VCCIB2 | 227 |
| VCCIB2 | 239 |
| VCCIB2 | 245 |
| VCCIB2 | 257 |
| VCCIB3 | 185 |
| VCCIB3 | 197 |
| VCCIB3 | 203 |
| VCCIB3 | 215 |
| VCCIB4 | 144 |
| VCCIB4 | 156 |
| VCCIB4 | 168 |
| VCCIB5 | 96 |
| VCCIB5 | 108 |
| VCCIB5 | 120 |
| VCCIB6 | 50 |
| VCCIB6 | 62 |
| VCCIB6 | 68 |
| VCCIB6 | 80 |
| VCCIB7 | 8 |
| VCCIB7 | 20 |
| VCCIB7 | 26 |
| VCCIB7 | 38 |
| VCCPLA | 317 |
| VCCPLB | 315 |
| VCCPLC | 303 |
| VCCPLD | 301 |
| VCCPLE | 140 |
| VCCPLF | 138 |

| CQ352 | |
|-----------------|------------|
| AX2000 Function | Pin Number |
| VCCPLG | 126 |
| VCCPLH | 124 |
| VCOMPLA | 318 |
| VCOMPLB | 316 |
| VCOMPLC | 304 |
| VCOMPLD | 302 |
| VCOMPLE | 141 |
| VCOMPLF | 139 |
| VCOMPLG | 127 |
| VCOMPLH | 125 |
| VPUMP | 267 |

CG624



Note

For Package Manufacturing and Environmental information, visit Resource center at <http://www.microsemi.com/soc/products/rescenter/package/index.html>.

| CG624 | | CG624 | | CG624 | |
|-----------------|------------|------------------|------------|-----------------|------------|
| AX1000 Function | Pin Number | AX1000 Function | Pin Number | AX1000 Function | Pin Number |
| Bank 0 | | | | | |
| IO00NB0F0 | F8 | IO23NB0F2 | E11 | IO42NB1F4 | G21 |
| IO00PB0F0 | F7 | IO23PB0F2 | F11 | IO42PB1F4 | G20 |
| IO02NB0F0 | G7 | IO24NB0F2 | D7 | IO43NB1F4 | A16 |
| IO02PB0F0 | G6 | IO24PB0F2 | E7 | IO43PB1F4 | A15 |
| IO04NB0F0 | E9 | IO25PB0F2 | B12 | IO44NB1F4 | A20 |
| IO04PB0F0 | D8 | IO26NB0F2 | H11 | IO44PB1F4 | A19 |
| IO06NB0F0 | G9 | IO26PB0F2 | G11 | IO45NB1F4 | B17 |
| IO06PB0F0 | G8 | IO27NB0F2 | C11 | IO45PB1F4 | B16 |
| IO07PB0F0 | B6 | IO27PB0F2 | B8 | IO46NB1F4 | G17 |
| IO08NB0F0 | F10 | IO28NB0F2 | J13 | IO46PB1F4 | H17 |
| IO08PB0F0 | F9 | IO28PB0F2 | K13 | IO47NB1F4 | A17 |
| IO09PB0F0 | C7 | IO29NB0F2 | J8 | IO48NB1F4 | C19 |
| IO10NB0F0 | H8 | IO29PB0F2 | J7 | IO48PB1F4 | C18 |
| IO10PB0F0 | H7 | IO30NB0F2/HCLKAN | G13 | IO49NB1F4 | B20 |
| IO11NB0F0 | D10 | IO30PB0F2/HCLKAP | G12 | IO49PB1F4 | B19 |
| IO11PB0F0 | D9 | IO31NB0F2/HCLKBN | C13 | IO50NB1F4 | H20 |
| IO12NB0F1 | B5 | IO31PB0F2/HCLKBP | C12 | IO50PB1F4 | H19 |
| IO12PB0F1 | B4 | Bank 1 | | IO51NB1F4 | A22 |
| IO13NB0F1 | A7 | IO32NB1F3/HCLKCN | G15 | IO51PB1F4 | A21 |
| IO13PB0F1 | A6 | IO32PB1F3/HCLKCP | G14 | IO52NB1F4 | C21 |
| IO14NB0F1 | C9 | IO33NB1F3/HCLKDN | B14 | IO52PB1F4 | C20 |
| IO14PB0F1 | C8 | IO33PB1F3/HCLKDP | B13 | IO53NB1F4 | B22 |
| IO15PB0F1 | B7 | IO34NB1F3 | G16 | IO53PB1F4 | B21 |
| IO16NB0F1 | A5 | IO34PB1F3 | H16 | IO54NB1F5 | J18 |
| IO16PB0F1 | A4 | IO35NB1F3 | C17 | IO54PB1F5 | J19 |
| IO17NB0F1 | A9 | IO35PB1F3 | B18 | IO55NB1F5 | D18 |
| IO17PB0F1 | B9 | IO36NB1F3 | H18 | IO55PB1F5 | D17 |
| IO18NB0F1 | D12 | IO36PB1F3 | H15 | IO56NB1F5 | F20 |
| IO18PB0F1 | D11 | IO37NB1F3 | H13 | IO56PB1F5 | F19 |
| IO20NB0F1 | B11 | IO38NB1F3 | E15 | IO58NB1F5 | E17 |
| IO20PB0F1 | B10 | IO38PB1F3 | F15 | IO58PB1F5 | F17 |
| IO21NB0F1 | A11 | IO39NB1F3 | D14 | IO60NB1F5 | D20 |
| IO21PB0F1 | A10 | IO39PB1F3 | C14 | IO60PB1F5 | D19 |
| IO22NB0F2 | H10 | IO40NB1F3 | D16 | IO62NB1F5 | E18 |
| IO22PB0F2 | H9 | IO40PB1F3 | D15 | IO62PB1F5 | F18 |
| | | IO41NB1F4 | F16 | IO63NB1F5 | G19 |

| CG624 | |
|-----------------|------------|
| AX1000 Function | Pin Number |
| IO63PB1F5 | G18 |
| Bank 2 | |
| IO64NB2F6 | M17 |
| IO64PB2F6 | G22 |
| IO65NB2F6 | J21 |
| IO65PB2F6 | J20 |
| IO66NB2F6 | L23 |
| IO66PB2F6 | K20 |
| IO67NB2F6 | F23 |
| IO67PB2F6 | E23 |
| IO68NB2F6 | L18 |
| IO68PB2F6 | K18 |
| IO70NB2F6 | E24 |
| IO70PB2F6 | D24 |
| IO71NB2F6 | H23 |
| IO71PB2F6 | G23 |
| IO72NB2F6 | L19 |
| IO72PB2F6 | K19 |
| IO74NB2F7 | J22 |
| IO74PB2F7 | H22 |
| IO75NB2F7 | N23 |
| IO75PB2F7 | M23 |
| IO76NB2F7 | N17 |
| IO76PB2F7 | N16 |
| IO77NB2F7 | L22 |
| IO77PB2F7 | K22 |
| IO78NB2F7 | M19 |
| IO78PB2F7 | M18 |
| IO79NB2F7 | N19 |
| IO79PB2F7 | N18 |
| IO80NB2F7 | L21 |
| IO80PB2F7 | L20 |
| IO82NB2F7 | P18 |
| IO82PB2F7 | P17 |
| IO83NB2F7 | N22 |
| IO83PB2F7 | M22 |

| CG624 | |
|-----------------|------------|
| AX1000 Function | Pin Number |
| IO84NB2F7 | M20 |
| IO84PB2F7 | M21 |
| IO86NB2F8 | E25 |
| IO86PB2F8 | D25 |
| IO87NB2F8 | L24 |
| IO87PB2F8 | K24 |
| IO88NB2F8 | G24 |
| IO88PB2F8 | F24 |
| IO89NB2F8 | J25 |
| IO90NB2F8 | G25 |
| IO90PB2F8 | F25 |
| IO91NB2F8 | L25 |
| IO91PB2F8 | K25 |
| IO92NB2F8 | J24 |
| IO92PB2F8 | H24 |
| IO93PB2F8 | J23 |
| IO94NB2F8 | N24 |
| IO94PB2F8 | M24 |
| IO95NB2F8 | N25 |
| IO95PB2F8 | M25 |
| Bank 3 | |
| IO96NB3F9 | T18 |
| IO96PB3F9 | R18 |
| IO97NB3F9 | N20 |
| IO97PB3F9 | P24 |
| IO98NB3F9 | P20 |
| IO98PB3F9 | P19 |
| IO99NB3F9 | P21 |
| IO100NB3F9 | T22 |
| IO100PB3F9 | W24 |
| IO101NB3F9 | R22 |
| IO101PB3F9 | P22 |
| IO102NB3F9 | U19 |
| IO102PB3F9 | T19 |
| IO104NB3F9 | V20 |
| IO104PB3F9 | U20 |

| CG624 | |
|-----------------|------------|
| AX1000 Function | Pin Number |
| IO105NB3F9 | R23 |
| IO105PB3F9 | P23 |
| IO106NB3F9 | R19 |
| IO106PB3F9 | R20 |
| IO107NB3F10 | AB24 |
| IO108NB3F10 | R25 |
| IO108PB3F10 | P25 |
| IO109NB3F10 | U25 |
| IO109PB3F10 | T25 |
| IO110NB3F10 | U24 |
| IO110PB3F10 | U23 |
| IO112NB3F10 | T24 |
| IO112PB3F10 | R24 |
| IO113NB3F10 | Y25 |
| IO113PB3F10 | W25 |
| IO114NB3F10 | V23 |
| IO114PB3F10 | V24 |
| IO116NB3F10 | AA24 |
| IO116PB3F10 | Y24 |
| IO117NB3F10 | AB25 |
| IO117PB3F10 | AA25 |
| IO118NB3F11 | T20 |
| IO118PB3F11 | R21 |
| IO120NB3F11 | W22 |
| IO120PB3F11 | W23 |
| IO122NB3F11 | V22 |
| IO122PB3F11 | U22 |
| IO124NB3F11 | Y23 |
| IO124PB3F11 | AA23 |
| IO126NB3F11 | V21 |
| IO126PB3F11 | U21 |
| IO128NB3F11 | Y22 |
| IO128PB3F11 | Y21 |
| Bank 4 | |
| IO129NB4F12 | W20 |
| IO129PB4F12 | Y20 |

| CG624 | | CG624 | | CG624 | |
|-----------------|------------|-------------------|------------|-----------------|------------|
| AX1000 Function | Pin Number | AX1000 Function | Pin Number | AX1000 Function | Pin Number |
| IO131NB4F12 | V19 | IO153NB4F14 | Y15 | IO173PB5F16 | Y11 |
| IO131PB4F12 | W19 | IO153PB4F14 | Y16 | IO174NB5F16 | AB10 |
| IO133NB4F12 | Y18 | IO155NB4F14 | V15 | IO174PB5F16 | AB11 |
| IO133PB4F12 | Y19 | IO155PB4F14 | V16 | IO175NB5F16 | AC9 |
| IO135NB4F12 | W18 | IO156NB4F14 | AB14 | IO175PB5F16 | AE9 |
| IO135PB4F12 | V18 | IO156PB4F14 | AB15 | IO177NB5F16 | AA8 |
| IO137NB4F12 | Y17 | IO157NB4F14 | AE14 | IO177PB5F16 | Y8 |
| IO137PB4F12 | AA17 | IO157PB4F14 | AC18 | IO178NB5F16 | Y6 |
| IO138NB4F12 | AB19 | IO158NB4F14 | AC15 | IO178PB5F16 | W6 |
| IO138PB4F12 | AB18 | IO158PB4F14 | AC19 | IO179NB5F16 | Y10 |
| IO139NB4F13 | AA19 | IO159NB4F14/CLKEN | W14 | IO179PB5F16 | W10 |
| IO139PB4F13 | U18 | IO159PB4F14/CLKEP | W15 | IO180NB5F16 | Y7 |
| IO140NB4F13 | AC20 | IO160NB4F14/CLKFN | AC13 | IO180PB5F16 | W7 |
| IO140PB4F13 | AC21 | IO160PB4F14/CLKFP | AD13 | IO181NB5F17 | AD9 |
| IO141NB4F13 | AD17 | Bank 5 | | IO181PB5F17 | AD10 |
| IO141PB4F13 | AD18 | IO161NB5F15/CLKGN | W13 | IO182NB5F17 | AE10 |
| IO142NB4F13 | AD21 | IO161PB5F15/CLKGP | Y13 | IO182PB5F17 | AE11 |
| IO142PB4F13 | AD22 | IO162NB5F15/CLKHN | AC12 | IO183NB5F17 | AD7 |
| IO143NB4F13 | AB17 | IO162PB5F15/CLKHP | AD12 | IO183PB5F17 | AD8 |
| IO143PB4F13 | AC17 | IO163NB5F15 | V9 | IO184NB5F17 | AB9 |
| IO144PB4F13 | AE22 | IO163PB5F15 | V10 | IO185NB5F17 | AE6 |
| IO145NB4F13 | AE15 | IO164NB5F15 | V11 | IO185PB5F17 | AE7 |
| IO145PB4F13 | AE16 | IO164PB5F15 | T13 | IO186NB5F17 | AE4 |
| IO146NB4F13 | AD19 | IO165NB5F15 | U13 | IO186PB5F17 | AE5 |
| IO146PB4F13 | AD20 | IO165PB5F15 | V13 | IO187NB5F17 | AA9 |
| IO147NB4F13 | AD15 | IO167NB5F15 | W11 | IO187PB5F17 | Y9 |
| IO147PB4F13 | AD16 | IO167PB5F15 | W12 | IO188NB5F17 | U8 |
| IO148PB4F13 | AE21 | IO168NB5F15 | AB6 | IO189NB5F17 | AD5 |
| IO149NB4F13 | AD14 | IO168PB5F15 | AA6 | IO189PB5F17 | AD6 |
| IO149PB4F13 | AC14 | IO169NB5F15 | V8 | IO191NB5F17 | AC5 |
| IO150NB4F13 | AE19 | IO169PB5F15 | V7 | IO191PB5F17 | AC6 |
| IO150PB4F13 | AE20 | IO171NB5F16 | W8 | IO192NB5F17 | AB7 |
| IO151NB4F13 | V17 | IO171PB5F16 | W9 | IO192PB5F17 | AC7 |
| IO151PB4F13 | W17 | IO172NB5F16 | AB8 | Bank 6 | |
| IO152NB4F14 | AB16 | IO172PB5F16 | AC8 | IO193NB6F18 | U6 |
| IO152PB4F14 | W16 | IO173NB5F16 | AA11 | IO193PB6F18 | U5 |

| CG624 | |
|-----------------|------------|
| AX1000 Function | Pin Number |
| IO194NB6F18 | Y3 |
| IO194PB6F18 | AA3 |
| IO195NB6F18 | V6 |
| IO195PB6F18 | W4 |
| IO197NB6F18 | R5 |
| IO197PB6F18 | U3 |
| IO198NB6F18 | P6 |
| IO199NB6F18 | Y5 |
| IO199PB6F18 | W5 |
| IO200NB6F18 | V3 |
| IO200PB6F18 | W3 |
| IO201NB6F18 | T7 |
| IO201PB6F18 | U7 |
| IO202NB6F18 | V2 |
| IO203NB6F19 | W2 |
| IO203PB6F19 | Y2 |
| IO204NB6F19 | AA1 |
| IO204PB6F19 | AB1 |
| IO205NB6F19 | R6 |
| IO205PB6F19 | T6 |
| IO206NB6F19 | W1 |
| IO206PB6F19 | Y1 |
| IO207NB6F19 | T2 |
| IO207PB6F19 | U2 |
| IO208NB6F19 | T1 |
| IO208PB6F19 | U1 |
| IO209NB6F19 | AA2 |
| IO209PB6F19 | AB2 |
| IO210NB6F19 | P5 |
| IO211NB6F19 | M1 |
| IO211PB6F19 | N1 |
| IO212NB6F19 | P1 |
| IO212PB6F19 | R1 |
| IO213NB6F19 | R8 |
| IO213PB6F19 | T8 |
| IO215NB6F20 | U4 |

| CG624 | |
|-----------------|------------|
| AX1000 Function | Pin Number |
| IO215PB6F20 | V4 |
| IO216NB6F20 | P8 |
| IO216PB6F20 | R3 |
| IO217NB6F20 | P7 |
| IO217PB6F20 | R7 |
| IO219NB6F20 | R4 |
| IO219PB6F20 | T4 |
| IO220NB6F20 | P2 |
| IO220PB6F20 | R2 |
| IO221NB6F20 | N4 |
| IO221PB6F20 | P4 |
| IO223NB6F20 | M2 |
| IO223PB6F20 | N2 |
| IO224NB6F20 | N3 |
| IO224PB6F20 | P3 |
| Bank 7 | |
| IO225NB7F21 | J2 |
| IO225PB7F21 | J1 |
| IO226PB7F21 | G2 |
| IO227NB7F21 | H3 |
| IO227PB7F21 | H2 |
| IO229NB7F21 | K2 |
| IO229PB7F21 | L2 |
| IO230NB7F21 | K1 |
| IO230PB7F21 | L1 |
| IO231NB7F21 | E2 |
| IO231PB7F21 | F2 |
| IO232NB7F21 | F1 |
| IO232PB7F21 | G1 |
| IO233NB7F21 | L3 |
| IO233PB7F21 | M3 |
| IO234NB7F21 | D1 |
| IO234PB7F21 | E1 |
| IO235NB7F21 | K4 |
| IO235PB7F21 | L4 |
| IO236NB7F22 | M6 |

| CG624 | |
|----------------------|------------|
| AX1000 Function | Pin Number |
| IO237NB7F22 | N8 |
| IO237PB7F22 | N7 |
| IO238NB7F22 | M5 |
| IO239NB7F22 | L6 |
| IO239PB7F22 | L5 |
| IO240NB7F22 | M4 |
| IO241NB7F22 | L7 |
| IO241PB7F22 | M7 |
| IO242NB7F22 | J3 |
| IO243NB7F22 | M9 |
| IO243PB7F22 | M8 |
| IO244NB7F22 | P9 |
| IO244PB7F22 | N6 |
| IO245NB7F22 | K8 |
| IO245PB7F22 | L8 |
| IO246NB7F22 | F3 |
| IO246PB7F22 | E3 |
| IO247NB7F23 | K7 |
| IO247PB7F23 | K6 |
| IO248NB7F23 | D2 |
| IO249NB7F23 | G4 |
| IO249PB7F23 | G3 |
| IO251NB7F23 | N10 |
| IO251PB7F23 | N9 |
| IO253NB7F23 | H4 |
| IO253PB7F23 | J4 |
| IO255NB7F23 | J6 |
| IO255PB7F23 | J5 |
| IO257NB7F23 | H5 |
| IO257PB7F23 | H6 |
| Dedicated I/O | |
| GND | K5 |
| GND | A18 |
| GND | A2 |
| GND | A24 |
| GND | A25 |

| CG624 | | CG624 | | CG624 | |
|-----------------|------------|-----------------|------------|-----------------|------------|
| AX1000 Function | Pin Number | AX1000 Function | Pin Number | AX1000 Function | Pin Number |
| GND | A8 | GND/LP | E8 | GND | V1 |
| GND | AA10 | GND | H1 | GND | V25 |
| GND | AA16 | GND | H21 | GND | V5 |
| GND | AA18 | GND | H25 | NC | A14 |
| GND | AA21 | GND | K21 | NC | AA20 |
| GND | AA5 | GND | K23 | NC | AB13 |
| GND | AB22 | GND | K3 | NC | AD4 |
| GND | AB4 | GND | L11 | NC | AE12 |
| GND | AC10 | GND | L12 | NC | F21 |
| GND | AC16 | GND | L13 | NC | G10 |
| GND | AC23 | GND | L14 | PRA | F13 |
| GND | AC3 | GND | L15 | PRB | A13 |
| GND | AD1 | GND | M11 | PRC | AB12 |
| GND | AD2 | GND | M12 | PRD | AE13 |
| GND | AD24 | GND | M13 | TCK | F5 |
| GND | AD25 | GND | M14 | TDI | C5 |
| GND | AE1 | GND | M15 | TDO | F6 |
| GND | AE18 | GND | N11 | TMS | D6 |
| GND | AE2 | GND | N12 | TRST | E6 |
| GND | AE24 | GND | N13 | VCCA | AB20 |
| GND | AE25 | GND | N14 | VCCA | F22 |
| GND | AE8 | GND | N15 | VCCA | F4 |
| GND | B1 | GND | P11 | VCCA | J17 |
| GND | B2 | GND | P12 | VCCA | J9 |
| GND | B24 | GND | P13 | VCCA | K10 |
| GND | B25 | GND | P14 | VCCA | K11 |
| GND | C10 | GND | P15 | VCCA | K15 |
| GND | C16 | GND | R11 | VCCA | K16 |
| GND | C23 | GND | R12 | VCCA | L10 |
| GND | C3 | GND | R13 | VCCA | L16 |
| GND | D22 | GND | R14 | VCCA | R10 |
| GND | D4 | GND | R15 | VCCA | R16 |
| GND | E10 | GND | T21 | VCCA | T10 |
| GND | E16 | GND | T23 | VCCA | T11 |
| GND | E21 | GND | T3 | VCCA | T15 |
| GND | E5 | GND | T5 | VCCA | T16 |

| CG624 | |
|-----------------|------------|
| AX1000 Function | Pin Number |
| VCCA | U17 |
| VCCA | U9 |
| VCCA | Y4 |
| VCCDA | A12 |
| VCCDA | AA13 |
| VCCDA | AA15 |
| VCCDA | AA7 |
| VCCDA | AC11 |
| VCCDA | AD11 |
| VCCDA | AE17 |
| VCCDA | B15 |
| VCCDA | C15 |
| VCCDA | C6 |
| VCCDA | D13 |
| VCCDA | E13 |
| VCCDA | E19 |
| VCCDA | G5 |
| VCCDA | N21 |
| VCCDA | N5 |
| VCCDA | W21 |
| VCCIB0 | A3 |
| VCCIB0 | B3 |
| VCCIB0 | C4 |
| VCCIB0 | D5 |
| VCCIB0 | J10 |
| VCCIB0 | J11 |
| VCCIB0 | K12 |
| VCCIB1 | A23 |
| VCCIB1 | B23 |
| VCCIB1 | C22 |
| VCCIB1 | D21 |
| VCCIB1 | J15 |
| VCCIB1 | J16 |
| VCCIB1 | K14 |
| VCCIB2 | C24 |
| VCCIB2 | C25 |

| CG624 | |
|-----------------|------------|
| AX1000 Function | Pin Number |
| VCCIB2 | D23 |
| VCCIB2 | E22 |
| VCCIB2 | K17 |
| VCCIB2 | L17 |
| VCCIB2 | M16 |
| VCCIB3 | AA22 |
| VCCIB3 | AB23 |
| VCCIB3 | AC24 |
| VCCIB3 | AC25 |
| VCCIB3 | P16 |
| VCCIB3 | R17 |
| VCCIB3 | T17 |
| VCCIB4 | AB21 |
| VCCIB4 | AC22 |
| VCCIB4 | AD23 |
| VCCIB4 | AE23 |
| VCCIB4 | T14 |
| VCCIB4 | U15 |
| VCCIB4 | U16 |
| VCCIB5 | AB5 |
| VCCIB5 | AC4 |
| VCCIB5 | AD3 |
| VCCIB5 | AE3 |
| VCCIB5 | T12 |
| VCCIB5 | U10 |
| VCCIB5 | U11 |
| VCCIB6 | AA4 |
| VCCIB6 | AB3 |
| VCCIB6 | AC1 |
| VCCIB6 | AC2 |
| VCCIB6 | P10 |
| VCCIB6 | R9 |
| VCCIB6 | T9 |
| VCCIB7 | C1 |
| VCCIB7 | C2 |
| VCCIB7 | D3 |

| CG624 | |
|-----------------|------------|
| AX1000 Function | Pin Number |
| VCCIB7 | E4 |
| VCCIB7 | K9 |
| VCCIB7 | L9 |
| VCCIB7 | M10 |
| VCCPLA | E12 |
| VCCPLB | J12 |
| VCCPLC | E14 |
| VCCPLD | H14 |
| VCCPLE | Y14 |
| VCCPLF | U14 |
| VCCPLG | Y12 |
| VCCPLH | U12 |
| VCOMPLA | F12 |
| VCOMPLB | H12 |
| VCOMPLC | F14 |
| VCOMPLD | J14 |
| VCOMPLE | AA14 |
| VCOMPLF | V14 |
| VCOMPLG | AA12 |
| VCOMPLH | V12 |
| VPUMP | E20 |

| CG624 | |
|-----------------|------------|
| AX2000 Function | Pin Number |
| Bank 0 | |
| IO00NB0F0 | D7* |
| IO00PB0F0 | E7* |
| IO01NB0F0 | G7 |
| IO01PB0F0 | G6 |
| IO02NB0F0 | B5 |
| IO02PB0F0 | B4 |
| IO04PB0F0 | C7 |
| IO05NB0F0 | F8 |
| IO05PB0F0 | F7 |
| IO06NB0F0 | H8 |
| IO06PB0F0 | H7 |
| IO11NB0F0 | J8 |
| IO11PB0F0 | J7 |
| IO12PB0F1 | B6 |
| IO13NB0F1 | E9* |
| IO13PB0F1 | D8* |
| IO15NB0F1 | C9 |
| IO15PB0F1 | C8 |
| IO16NB0F1 | A5 |
| IO16PB0F1 | A4 |
| IO17NB0F1 | D10 |
| IO17PB0F1 | D9 |
| IO18NB0F1 | A7 |
| IO18PB0F1 | A6 |
| IO19NB0F1 | G9 |
| IO19PB0F1 | G8 |
| IO20PB0F1 | B7 |
| IO23NB0F2 | F10 |
| IO23PB0F2 | F9 |
| IO26NB0F2 | C11* |
| IO26PB0F2 | B8* |

Note: *Not routed on the same package layer and to adjacent LGA pads as its differential pair complement. Recommended to be used as a single-ended I/O.

| CG624 | |
|------------------|------------|
| AX2000 Function | Pin Number |
| IO27NB0F2 | H10 |
| IO27PB0F2 | H9 |
| IO28NB0F2 | A9 |
| IO28PB0F2 | B9 |
| IO30NB0F2 | B11 |
| IO30PB0F2 | B10 |
| IO31NB0F2 | E11 |
| IO31PB0F2 | F11 |
| IO33NB0F2 | D12 |
| IO33PB0F2 | D11 |
| IO34NB0F3 | A11 |
| IO34PB0F3 | A10 |
| IO37NB0F3 | J13 |
| IO37PB0F3 | K13 |
| IO38NB0F3 | H11 |
| IO38PB0F3 | G11 |
| IO40PB0F3 | B12 |
| IO41NB0F3/HCLKAN | G13 |
| IO41PB0F3/HCLKAP | G12 |
| IO42NB0F3/HCLKBN | C13 |
| IO42PB0F3/HCLKBP | C12 |
| Bank 1 | |
| IO43NB1F4/HCLKCN | G15 |
| IO43PB1F4/HCLKCP | G14 |
| IO44NB1F4/HCLKDN | B14 |
| IO44PB1F4/HCLKDP | B13 |
| IO45NB1F4 | H13 |
| IO47NB1F4 | D14 |
| IO47PB1F4 | C14 |
| IO48NB1F4 | A16 |
| IO48PB1F4 | A15 |
| IO49PB1F4 | H15 |

Note: *Not routed on the same package layer and to adjacent LGA pads as its differential pair complement. Recommended to be used as a single-ended I/O.

| CG624 | |
|-----------------|------------|
| AX2000 Function | Pin Number |
| IO51NB1F4 | E15 |
| IO51PB1F4 | F15 |
| IO52NB1F4 | A17 |
| IO55NB1F5 | G16 |
| IO55PB1F5 | H16 |
| IO56NB1F5 | A20 |
| IO56PB1F5 | A19 |
| IO57NB1F5 | D16 |
| IO57PB1F5 | D15 |
| IO58NB1F5 | A22 |
| IO58PB1F5 | A21 |
| IO59NB1F5 | F16 |
| IO61NB1F5 | G17 |
| IO61PB1F5 | H17 |
| IO62NB1F5 | B17 |
| IO62PB1F5 | B16 |
| IO63NB1F5 | H18 |
| IO65NB1F6 | C17 |
| IO66PB1F6 | B18 |
| IO67NB1F6 | J18 |
| IO67PB1F6 | J19 |
| IO68NB1F6 | B20 |
| IO68PB1F6 | B19 |
| IO69NB1F6 | E17 |
| IO69PB1F6 | F17 |
| IO70NB1F6 | B22 |
| IO70PB1F6 | B21 |
| IO71PB1F6 | G18 |
| IO73NB1F6 | G19 |
| IO74NB1F6 | C19 |
| IO74PB1F6 | C18 |
| IO75NB1F6 | D18 |

Note: *Not routed on the same package layer and to adjacent LGA pads as its differential pair complement. Recommended to be used as a single-ended I/O.

| CG624 | |
|-----------------|------------|
| AX2000 Function | Pin Number |
| IO75PB1F6 | D17 |
| IO76NB1F7 | C21 |
| IO76PB1F7 | C20 |
| IO79NB1F7 | H20 |
| IO79PB1F7 | H19 |
| IO80NB1F7 | E18 |
| IO80PB1F7 | F18 |
| IO81NB1F7 | G21 |
| IO81PB1F7 | G20 |
| IO82NB1F7 | F20 |
| IO82PB1F7 | F19 |
| IO85NB1F7 | D20* |
| IO85PB1F7 | D19* |
| Bank 2 | |
| IO86NB2F8 | F23 |
| IO86PB2F8 | E23 |
| IO87NB2F8 | H23 |
| IO87PB2F8 | G23 |
| IO88NB2F8 | E24 |
| IO88PB2F8 | D24 |
| IO89NB2F8 | M17* |
| IO89PB2F8 | G22* |
| IO91NB2F8 | J22 |
| IO91PB2F8 | H22 |
| IO92NB2F8 | L18 |
| IO92PB2F8 | K18 |
| IO96NB2F9 | G24 |
| IO96PB2F9 | F24 |
| IO97NB2F9 | J21 |
| IO97PB2F9 | J20 |
| IO98PB2F9 | J23 |
| IO99NB2F9 | L19 |

Note: *Not routed on the same package layer and to adjacent LGA pads as its differential pair complement. Recommended to be used as a single-ended I/O.

| CG624 | |
|-----------------|------------|
| AX2000 Function | Pin Number |
| IO99PB2F9 | K19 |
| IO100NB2F9 | E25 |
| IO100PB2F9 | D25 |
| IO103PB2F9 | K20 |
| IO105NB2F9 | M19 |
| IO105PB2F9 | M18 |
| IO106NB2F9 | J24 |
| IO106PB2F9 | H24 |
| IO107NB2F10 | L23* |
| IO107PB2F10 | N16* |
| IO109NB2F10 | L22 |
| IO109PB2F10 | K22 |
| IO110NB2F10 | G25 |
| IO110PB2F10 | F25 |
| IO111NB2F10 | L21 |
| IO111PB2F10 | L20 |
| IO112NB2F10 | L24 |
| IO112PB2F10 | K24 |
| IO113NB2F10 | N17 |
| IO115NB2F10 | M20 |
| IO115PB2F10 | M21 |
| IO117NB2F10 | N19 |
| IO117PB2F10 | N18 |
| IO118NB2F11 | J25 |
| IO121NB2F11 | N24 |
| IO121PB2F11 | M24 |
| IO122NB2F11 | L25 |
| IO122PB2F11 | K25 |
| IO123NB2F11 | N22 |
| IO123PB2F11 | M22 |
| IO124NB2F11 | N23 |
| IO124PB2F11 | M23 |

Note: *Not routed on the same package layer and to adjacent LGA pads as its differential pair complement. Recommended to be used as a single-ended I/O.

| CG624 | |
|-----------------|------------|
| AX2000 Function | Pin Number |
| IO127NB2F11 | P18 |
| IO127PB2F11 | P17 |
| IO128NB2F11 | N25 |
| IO128PB2F11 | M25 |
| Bank 3 | |
| IO129NB3F12 | N20 |
| IO130PB3F12 | P24 |
| IO131NB3F12 | P21 |
| IO133NB3F12 | P20 |
| IO133PB3F12 | P19 |
| IO138NB3F12 | R23 |
| IO138PB3F12 | P23 |
| IO139NB3F13 | R22 |
| IO139PB3F13 | P22 |
| IO141NB3F13 | R19 |
| IO142NB3F13 | R25 |
| IO142PB3F13 | P25 |
| IO143PB3F13 | R21 |
| IO145NB3F13 | T18 |
| IO145PB3F13 | R18 |
| IO146NB3F13 | T24 |
| IO146PB3F13 | R24 |
| IO147NB3F13 | T20 |
| IO147PB3F13 | R20 |
| IO148NB3F13 | U25 |
| IO148PB3F13 | T25 |
| IO149NB3F13 | T22 |
| IO153NB3F14 | U19 |
| IO153PB3F14 | T19 |
| IO154NB3F14 | Y25 |
| IO154PB3F14 | W25 |
| IO157NB3F14 | V20 |

Note: *Not routed on the same package layer and to adjacent LGA pads as its differential pair complement. Recommended to be used as a single-ended I/O.

| CG624 | |
|-----------------|------------|
| AX2000 Function | Pin Number |
| IO157PB3F14 | U20 |
| IO158NB3F14 | AB25 |
| IO158PB3F14 | AA25 |
| IO160PB3F14 | W24 |
| IO161NB3F15 | U24 |
| IO161PB3F15 | U23 |
| IO162NB3F15 | AA24 |
| IO162PB3F15 | Y24 |
| IO163NB3F15 | V22 |
| IO163PB3F15 | U22 |
| IO164NB3F15 | V23 |
| IO164PB3F15 | V24 |
| IO166NB3F15 | AB24 |
| IO167NB3F15 | V21 |
| IO167PB3F15 | U21 |
| IO168NB3F15 | Y23 |
| IO168PB3F15 | AA23 |
| IO169NB3F15 | W22* |
| IO169PB3F15 | W23* |
| IO170NB3F15 | Y22 |
| IO170PB3F15 | Y21 |
| Bank 4 | |
| IO171NB4F16 | AC20* |
| IO171PB4F16 | AC21* |
| IO172NB4F16 | W20 |
| IO172PB4F16 | Y20 |
| IO173NB4F16 | AD21 |
| IO173PB4F16 | AD22 |
| IO174NB4F16 | AA19 |
| IO176NB4F16 | Y18 |
| IO176PB4F16 | Y19 |
| IO177NB4F16 | AB19 |

Note: *Not routed on the same package layer and to adjacent LGA pads as its differential pair complement. Recommended to be used as a single-ended I/O.

| CG624 | |
|-----------------|------------|
| AX2000 Function | Pin Number |
| IO177PB4F16 | AB18 |
| IO182NB4F17 | V19 |
| IO182PB4F17 | W19 |
| IO183PB4F17 | AC19 |
| IO184NB4F17 | AB17 |
| IO184PB4F17 | AC17 |
| IO185NB4F17 | AD19 |
| IO185PB4F17 | AD20 |
| IO187PB4F17 | AC18 |
| IO188NB4F17 | Y17 |
| IO188PB4F17 | AA17 |
| IO189PB4F17 | AE22 |
| IO191NB4F17 | W18 |
| IO191PB4F17 | V18 |
| IO192PB4F17 | U18 |
| IO195PB4F18 | AE21 |
| IO196NB4F18 | AB16 |
| IO197NB4F18 | AD17 |
| IO197PB4F18 | AD18 |
| IO198NB4F18 | V17 |
| IO198PB4F18 | W17 |
| IO199NB4F18 | AE19 |
| IO199PB4F18 | AE20 |
| IO200NB4F18 | AC15 |
| IO201NB4F18 | AD15 |
| IO201PB4F18 | AD16 |
| IO202NB4F18 | Y15 |
| IO202PB4F18 | Y16 |
| IO206NB4F19 | AB14 |
| IO206PB4F19 | AB15 |
| IO207NB4F19 | AE15 |
| IO207PB4F19 | AE16 |

Note: *Not routed on the same package layer and to adjacent LGA pads as its differential pair complement. Recommended to be used as a single-ended I/O.

| CG624 | |
|-------------------|------------|
| AX2000 Function | Pin Number |
| IO208PB4F19 | W16 |
| IO209NB4F19 | AE14 |
| IO210NB4F19 | V15 |
| IO210PB4F19 | V16 |
| IO211NB4F19 | AD14 |
| IO211PB4F19 | AC14 |
| IO212NB4F19/CLKEN | W14 |
| IO212PB4F19/CLKEP | W15 |
| IO213NB4F19/CLKFN | AC13 |
| IO213PB4F19/CLKFP | AD13 |
| Bank 5 | |
| IO214NB5F20/CLKGN | W13 |
| IO214PB5F20/CLKGP | Y13 |
| IO215NB5F20/CLKHN | AC12 |
| IO215PB5F20/CLKHP | AD12 |
| IO216NB5F20 | U13 |
| IO216PB5F20 | V13 |
| IO217NB5F20 | AE10 |
| IO217PB5F20 | AE11 |
| IO218NB5F20 | W11 |
| IO218PB5F20 | W12 |
| IO222NB5F20 | AA11 |
| IO222PB5F20 | Y11 |
| IO223PB5F21 | AE9 |
| IO225NB5F21 | AE6 |
| IO225PB5F21 | AE7 |
| IO226NB5F21 | Y10 |
| IO226PB5F21 | W10 |
| IO227PB5F21 | T13 |
| IO228NB5F21 | AB10 |
| IO228PB5F21 | AB11 |
| IO229NB5F21 | AD9 |

Note: *Not routed on the same package layer and to adjacent LGA pads as its differential pair complement. Recommended to be used as a single-ended I/O.

| CG624 | |
|-----------------|------------|
| AX2000 Function | Pin Number |
| IO229PB5F21 | AD10 |
| IO230NB5F21 | V11 |
| IO233NB5F21 | AD7 |
| IO233PB5F21 | AD8 |
| IO234NB5F21 | V9 |
| IO234PB5F21 | V10 |
| IO236NB5F22 | AC9 |
| IO238NB5F22 | W8 |
| IO238PB5F22 | W9 |
| IO239NB5F22 | AE4 |
| IO239PB5F22 | AE5 |
| IO240NB5F22 | AB9 |
| IO242NB5F22 | AA9 |
| IO242PB5F22 | Y9 |
| IO243NB5F22 | AD5 |
| IO243PB5F22 | AD6 |
| IO244NB5F22 | U8 |
| IO246NB5F23 | AB8 |
| IO246PB5F23 | AC8 |
| IO247NB5F23 | AB7 |
| IO247PB5F23 | AC7 |
| IO250NB5F23 | AA8 |
| IO250PB5F23 | Y8 |
| IO251NB5F23 | V8 |
| IO251PB5F23 | V7 |
| IO252NB5F23 | Y7 |
| IO252PB5F23 | W7 |
| IO253NB5F23 | AC5 |
| IO253PB5F23 | AC6 |
| IO254NB5F23 | Y6 |
| IO254PB5F23 | W6 |
| IO256NB5F23 | AB6* |

Note: *Not routed on the same package layer and to adjacent LGA pads as its differential pair complement. Recommended to be used as a single-ended I/O.

| CG624 | |
|-----------------|------------|
| AX2000 Function | Pin Number |
| IO256PB5F23 | AA6* |
| Bank 6 | |
| IO257NB6F24 | Y3 |
| IO257PB6F24 | AA3 |
| IO258NB6F24 | V3 |
| IO258PB6F24 | W3 |
| IO259NB6F24 | AA2 |
| IO259PB6F24 | AB2 |
| IO260NB6F24 | V6* |
| IO260PB6F24 | W4* |
| IO262NB6F24 | U4 |
| IO262PB6F24 | V4 |
| IO263NB6F24 | Y5 |
| IO263PB6F24 | W5 |
| IO268NB6F25 | U6 |
| IO268PB6F25 | U5 |
| IO269PB6F25 | U3 |
| IO272NB6F25 | T2 |
| IO272PB6F25 | U2 |
| IO273NB6F25 | W2 |
| IO273PB6F25 | Y2 |
| IO274NB6F25 | R6 |
| IO274PB6F25 | T6 |
| IO275NB6F25 | T7 |
| IO275PB6F25 | U7 |
| IO277NB6F25 | V2 |
| IO278NB6F26 | R4 |
| IO278PB6F26 | T4 |
| IO279PB6F26 | R3 |
| IO280NB6F26 | R5 |
| IO281NB6F26 | AA1 |
| IO281PB6F26 | AB1 |

Note: *Not routed on the same package layer and to adjacent LGA pads as its differential pair complement. Recommended to be used as a single-ended I/O.

| CG624 | |
|-----------------|------------|
| AX2000 Function | Pin Number |
| IO284NB6F26 | R8 |
| IO284PB6F26 | T8 |
| IO285NB6F26 | W1 |
| IO285PB6F26 | Y1 |
| IO286NB6F26 | P2 |
| IO286PB6F26 | R2 |
| IO287NB6F26 | T1 |
| IO287PB6F26 | U1 |
| IO288NB6F26 | P5 |
| IO290NB6F27 | P6 |
| IO291NB6F27 | P1 |
| IO291PB6F27 | R1 |
| IO292NB6F27 | P7 |
| IO292PB6F27 | R7 |
| IO293NB6F27 | M1 |
| IO293PB6F27 | N1 |
| IO294NB6F27 | P8 |
| IO296NB6F27 | N3 |
| IO296PB6F27 | P3 |
| IO298NB6F27 | N4 |
| IO298PB6F27 | P4 |
| IO299NB6F27 | M2 |
| IO299PB6F27 | N2 |
| Bank 7 | |
| IO300NB7F28 | P9* |
| IO300PB7F28 | N6* |
| IO302NB7F28 | M6 |
| IO304NB7F28 | N8 |
| IO304PB7F28 | N7 |
| IO308NB7F28 | M4 |
| IO309NB7F28 | L3 |
| IO309PB7F28 | M3 |

Note: *Not routed on the same package layer and to adjacent LGA pads as its differential pair complement. Recommended to be used as a single-ended I/O.

| CG624 | |
|-----------------|------------|
| AX2000 Function | Pin Number |
| IO310NB7F29 | N10 |
| IO310PB7F29 | N9 |
| IO311NB7F29 | K1 |
| IO311PB7F29 | L1 |
| IO313NB7F29 | M5 |
| IO316NB7F29 | L6 |
| IO316PB7F29 | L5 |
| IO317NB7F29 | K2 |
| IO317PB7F29 | L2 |
| IO318NB7F29 | K4 |
| IO318PB7F29 | L4 |
| IO320NB7F29 | J3 |
| IO321NB7F30 | J2 |
| IO321PB7F30 | J1 |
| IO323NB7F30 | L7 |
| IO323PB7F30 | M7 |
| IO324NB7F30 | M9 |
| IO324PB7F30 | M8 |
| IO327NB7F30 | F1 |
| IO327PB7F30 | G1 |
| IO328NB7F30 | K7 |
| IO328PB7F30 | K6 |
| IO329NB7F30 | D1 |
| IO329PB7F30 | E1 |
| IO331PB7F30 | G2 |
| IO332NB7F31 | H3 |
| IO332PB7F31 | H2 |
| IO333NB7F31 | E2 |
| IO333PB7F31 | F2 |
| IO334NB7F31 | H4 |
| IO334PB7F31 | J4 |
| IO335NB7F31 | H5 |

Note: *Not routed on the same package layer and to adjacent LGA pads as its differential pair complement. Recommended to be used as a single-ended I/O.

| CG624 | |
|-----------------|------------|
| AX2000 Function | Pin Number |
| IO335PB7F31 | H6 |
| IO337NB7F31 | D2 |
| IO338NB7F31 | J6 |
| IO338PB7F31 | J5 |
| IO339NB7F31 | F3 |
| IO339PB7F31 | E3 |
| IO340NB7F31 | G4* |
| IO340PB7F31 | G3* |
| IO341NB7F31 | K8 |
| IO341PB7F31 | L8 |
| Dedicated I/O | |
| GND | K5 |
| GND | A18 |
| GND | A2 |
| GND | A24 |
| GND | A25 |
| GND | A8 |
| GND | AA10 |
| GND | AA16 |
| GND | AA18 |
| GND | AA21 |
| GND | AA5 |
| GND | AB22 |
| GND | AB4 |
| GND | AC10 |
| GND | AC16 |
| GND | AC23 |
| GND | AC3 |
| GND | AD1 |
| GND | AD2 |
| GND | AD24 |
| GND | AD25 |

Note: *Not routed on the same package layer and to adjacent LGA pads as its differential pair complement. Recommended to be used as a single-ended I/O.

| CG624 | |
|-----------------|------------|
| AX2000 Function | Pin Number |
| GND | AE1 |
| GND | AE18 |
| GND | AE2 |
| GND | AE24 |
| GND | AE25 |
| GND | AE8 |
| GND | B1 |
| GND | B2 |
| GND | B24 |
| GND | B25 |
| GND | C10 |
| GND | C16 |
| GND | C23 |
| GND | C3 |
| GND | D22 |
| GND | D4 |
| GND | E10 |
| GND | E16 |
| GND | E21 |
| GND | E5 |
| GND | E8 |
| GND | H1 |
| GND | H21 |
| GND | H25 |
| GND | K21 |
| GND | K23 |
| GND | K3 |
| GND | L11 |
| GND | L12 |
| GND | L13 |
| GND | L14 |
| GND | L15 |

Note: *Not routed on the same package layer and to adjacent LGA pads as its differential pair complement. Recommended to be used as a single-ended I/O.

| CG624 | |
|-----------------|------------|
| AX2000 Function | Pin Number |
| GND | M11 |
| GND | M12 |
| GND | M13 |
| GND | M14 |
| GND | M15 |
| GND | N11 |
| GND | N12 |
| GND | N13 |
| GND | N14 |
| GND | N15 |
| GND | P11 |
| GND | P12 |
| GND | P13 |
| GND | P14 |
| GND | P15 |
| GND | R11 |
| GND | R12 |
| GND | R13 |
| GND | R14 |
| GND | R15 |
| GND | T21 |
| GND | T23 |
| GND | T3 |
| GND | T5 |
| GND | V1 |
| GND | V25 |
| GND | V5 |
| PRA | F13 |
| PRB | A13 |
| PRC | AB12 |
| PRD | AE13 |
| TCK | F5 |

Note: *Not routed on the same package layer and to adjacent LGA pads as its differential pair complement. Recommended to be used as a single-ended I/O.

| CG624 | |
|-----------------|------------|
| AX2000 Function | Pin Number |
| TDI | C5 |
| TDO | F6 |
| TMS | D6 |
| TRST | E6 |
| VCCA | AB20 |
| VCCA | F22 |
| VCCA | F4 |
| VCCA | J17 |
| VCCA | J9 |
| VCCA | K10 |
| VCCA | K11 |
| VCCA | K15 |
| VCCA | K16 |
| VCCA | L10 |
| VCCA | L16 |
| VCCA | R10 |
| VCCA | R16 |
| VCCA | T10 |
| VCCA | T11 |
| VCCA | T15 |
| VCCA | T16 |
| VCCA | U17 |
| VCCA | U9 |
| VCCA | Y4 |
| VCCDA | A12 |
| VCCDA | A14 |
| VCCDA | AA13 |
| VCCDA | AA15 |
| VCCDA | AA20 |
| VCCDA | AA7 |
| VCCDA | AB13 |
| VCCDA | AC11 |

Note: *Not routed on the same package layer and to adjacent LGA pads as its differential pair complement. Recommended to be used as a single-ended I/O.

| CG624 | |
|-----------------|------------|
| AX2000 Function | Pin Number |
| VCCDA | AD11 |
| VCCDA | AD4 |
| VCCDA | AE12 |
| VCCDA | AE17 |
| VCCDA | B15 |
| VCCDA | C15 |
| VCCDA | C6 |
| VCCDA | D13 |
| VCCDA | E13 |
| VCCDA | E19 |
| VCCDA | F21 |
| VCCDA | G10 |
| VCCDA | G5 |
| VCCDA | N21 |
| VCCDA | N5 |
| VCCDA | W21 |
| VCCIB0 | A3 |
| VCCIB0 | B3 |
| VCCIB0 | C4 |
| VCCIB0 | D5 |
| VCCIB0 | J10 |
| VCCIB0 | J11 |
| VCCIB0 | K12 |
| VCCIB1 | A23 |
| VCCIB1 | B23 |
| VCCIB1 | C22 |
| VCCIB1 | D21 |
| VCCIB1 | J15 |
| VCCIB1 | J16 |
| VCCIB1 | K14 |
| VCCIB2 | C24 |
| VCCIB2 | C25 |

Note: *Not routed on the same package layer and to adjacent LGA pads as its differential pair complement. Recommended to be used as a single-ended I/O.

| CG624 | |
|-----------------|------------|
| AX2000 Function | Pin Number |
| VCCIB2 | D23 |
| VCCIB2 | E22 |
| VCCIB2 | K17 |
| VCCIB2 | L17 |
| VCCIB2 | M16 |
| VCCIB3 | AA22 |
| VCCIB3 | AB23 |
| VCCIB3 | AC24 |
| VCCIB3 | AC25 |
| VCCIB3 | P16 |
| VCCIB3 | R17 |
| VCCIB3 | T17 |
| VCCIB4 | AB21 |
| VCCIB4 | AC22 |
| VCCIB4 | AD23 |
| VCCIB4 | AE23 |
| VCCIB4 | T14 |
| VCCIB4 | U15 |
| VCCIB4 | U16 |
| VCCIB5 | AB5 |
| VCCIB5 | AC4 |
| VCCIB5 | AD3 |
| VCCIB5 | AE3 |
| VCCIB5 | T12 |
| VCCIB5 | U10 |
| VCCIB5 | U11 |
| VCCIB6 | AA4 |
| VCCIB6 | AB3 |
| VCCIB6 | AC1 |
| VCCIB6 | AC2 |
| VCCIB6 | P10 |
| VCCIB6 | R9 |

Note: **Not routed on the same package layer and to adjacent LGA pads as its differential pair complement. Recommended to be used as a single-ended I/O.*

| CG624 | |
|-----------------|------------|
| AX2000 Function | Pin Number |
| VCCIB6 | T9 |
| VCCIB7 | C1 |
| VCCIB7 | C2 |
| VCCIB7 | D3 |
| VCCIB7 | E4 |
| VCCIB7 | K9 |
| VCCIB7 | L9 |
| VCCIB7 | M10 |
| VCCPLA | E12 |
| VCCPLB | J12 |
| VCCPLC | E14 |
| VCCPLD | H14 |
| VCCPLE | Y14 |
| VCCPLF | U14 |
| VCCPLG | Y12 |
| VCCPLH | U12 |
| VCOMPLA | F12 |
| VCOMPLB | H12 |
| VCOMPLC | F14 |
| VCOMPLD | J14 |
| VCOMPLE | AA14 |
| VCOMPLF | V14 |
| VCOMPLG | AA12 |
| VCOMPLH | V12 |
| VPUMP | E20 |

Note: **Not routed on the same package layer and to adjacent LGA pads as its differential pair complement. Recommended to be used as a single-ended I/O.*

4 – Datasheet Information

List of Changes

The following table lists critical changes that were made in the current version of the document.

| Revision | Changes | Page |
|--|--|---------------|
| Revision 18 (March 2012) | Table 2-1 • Absolute Maximum Ratings was updated to correct the maximum DC core supply voltage (VCCA) from 1.6 V to 1.7 V (SAR 36786). The maximum input voltage (VI) was corrected from 3.75 V to 4.1 V (SAR 35419). | 2-1 |
| | Values for tristate leakage current IOZ, and IIH and IIL were added to Table 2-3 • Standby Current (SARs 35774, 32021). | 2-2 |
| | Figure 2-2 • VCCPLX and VCOMPLX Power Supply Connect was updated to correct the units for the resistance from "W" to Ω (SAR 36415). | 2-9 |
| | In the Introduction to the " User I/Os " section, the following sentence was added to clarify the slew rate setting (SAR 34943): The slew rate setting is effective for both rising and falling edges. | 2-11 |
| | Figure 2-3 • Use of an External Resistor for 5 V Tolerance was revised to show the VCCI and GND clamp diodes. The explanatory text above the figure was revised as well (SAR 34942). | 2-13 |
| | EQ 3 for 5 V tolerance was corrected to change Vdiode from 0.6 V to 0.7 V (SAR 36786). | 2-13 |
| | Additional information was added to the " Using the Weak Pull-Up and Pull-Down Circuits " section to clarify how the weak pull-up and pull-down resistors are physically implemented (SAR 34945). | 2-17 |
| | The description for the C _{INCLK} parameter in Table 2-18 • Input Capacitance was changed from "Input capacitance on clock pin" to "Input capacitance on HCLK and RCLK pin" (SAR 34944). | 2-21 |
| | Table 2-19 • I/O Input Rise Time and Fall Time* is new (SAR 34942). | 2-21 |
| | The minimum VIL for 1.5 V LVCMOS and PCI was corrected from –0.5 to –0.3 in Table 2-29 • DC Input and Output Levels and Table 2-33 • DC Input and Output Levels (SAR 34358). | 2-38, 2-40 |
| | Support for simulating the GCLR/ GPSET feature in the Axcelerator Family was added in Libero software v9.0 SP11. Reference to the section explaining this in the Antifuse Macro Library Guide was added to the " R-Cell " section (SAR 26413). | 2-58 |
| The enable signal in Figure 2-32 • R-Cell Delays was corrected to show it is active low rather than active high (SAR 34946). | 2-59 | |
| Revision 17 (September 2011) | The versioning system for datasheets has been changed. Datasheets are assigned a revision number that increments each time the datasheet is revised. The " Axcelerator Family Device Status " table indicates the status for each device in the device family. | iii |
| | The " Features " section, " Programmable Interconnect Element " section, and " Security " section were revised to clarify that although no existing security measures can give an absolute guarantee, Microsemi FPGAs implement the best security available in the industry (SAR 32865). | i, 1-1, 2-108 |

| Revision | Changes | Page |
|---|--|-------------------|
| Revision 17 (continued) | The C180 package was removed from product tables and the "Package Pin Assignments" section (PDN 0909). | 3-1 |
| | Package names used in the "Axcelerator Family Product Profile" and "Package Pin Assignments" section were revised to match standards given in <i>Package Mechanical Drawings</i> (SAR 27395). | i, 3-1 |
| | The "Introduction" section for "User I/Os" was updated as follows: "The user does not need to assign VREF pins for OUTBUF and TRIBUF. VREF pins are needed only for input and bidirectional I/Os" (SARs 24181, 24309). | 2-11 |
| | Power values in Table 2-4 • Default CLOAD/VCCI were updated to reflect those of SmartPower (SAR 33945). | 2-3 |
| | Two parameter names were corrected in Figure 2-10 • Output Buffer Delays . One occurrence of t_{ENLZ} was changed to t_{ENZL} and one occurrence of t_{ENHZ} was changed to t_{ENZH} (SAR 33890). | 2-22 |
| | The "Timing Model" section was updated with new timing values. Timing tables in the "I/O Specifications" section were updated to include enable paths. Values in the timing tables in the "Voltage-Referenced I/O Standards" section and "Differential Standards" section were updated. Table 2-63 • R-Cell was updated (SAR 33945). | 2-8, 2-26 to 2-53 |
| | Figure 2-11 • Timing Model was replaced (SAR 33043). | 2-23 |
| | The timing tables for "RAM" and "FIFO" were updated (SAR 33945). | 2-90 to 2-106 |
| | "Data Registers (DRs)" values were modified for IDCODE and USERCODE (SARs 18257, 26406). | 2-108 |
| The package diagram for the "CQ208" package was incorrect and has been replaced with the correct diagram (SARs 23865, 26345). | 3-89 | |
| Revision 16 (v2.8, Oct. 2009) | The datasheet was updated to include AX2000-CQ2526 information. | N/A |
| | MIL-STD-883 Class B is no longer supported by Axcelerator FPGAs and as a result was removed. | N/A |
| | A footnote was added to the "Introduction" in the "Axcelerator Clock Management System" section. | 2-75 |
| Revision 15 (v2.7, Nov. 2008) | RoHS-compliant information was added to the "Ordering Information". | ii |
| | ACTgen was changed to SmartGen because ACTgen is obsolete. | N/A |
| Revision 14 (v2.6) | In Table 2-4 , the units for the P_{LOAD} , P_{10} , and $P_{I/O}$ were updated from mW/MHz to mW/MHz. | 2-3 |
| | In the "Pin Descriptions" section, the HCLK and CLK descriptions were updated to include tie-off information. | 2-9 |
| | The "Global Resource Distribution" section was updated. | 2-70 |
| | The "CG624" table was updated. | 3-116 |
| Revision 13 (v2.5) | A note was added to Table 2-2 . | 2-1 |
| | In the "Package Thermal Characteristics", the temperature was changed from 150°C to 125°C. | 2-6 |

| Revision | Changes | Page |
|---|--|--------------|
| Revision 12 (v2.4) | Revised ordering information and timing data to reflect phase out of –3 speed grade options. | |
| | Table 2-3 was updated. | 2 |
| Revision 11 (v2.3) | The "Packaging Data" section is new. | iv |
| | Table 2-2 was updated. | 2-1 |
| | "VCCDA Supply Voltage" was updated. | 2-9 |
| | "PRA/B/C/D Probe A, B, C and D" was updated. | 2-10 |
| | The "User I/Os" was updated. | 2-11 |
| Revision 10 (v2.2) | Figure 1-3 was updated. | 1-2 |
| | Table 2-2 was updated. | 2-1 |
| | The "Power-Up/Down Sequence" section was updated. | 2-1 |
| | Table 2-4 was updated. | 2-3 |
| | Table 2-5 was updated. | 2-4 |
| | The "Timing Characteristics" section was added. | 2-7 |
| | Table 2-7 was updated. | 2-7 |
| | Figure 2-1 was updated. | 2-8 |
| | The External Setup and Clock-to-Out (Pad-to-Pad) equations in the "Hardwired Clock – Using LVTTTL 24 mA High Slew Clock I/O" section were updated. | 2-8 |
| | The External Setup and Clock-to-Out (Pad-to-Pad) in the "Routed Clock – Using LVTTTL 24 mA High Slew Clock I/O" section were updated. | 2-8 |
| | The "Global Pins" section was updated. | 2-10 |
| | The "User I/Os" section was updated. | 2-11 |
| | Table 2-17 was updated. | 2-19 |
| | Figure 2-8 was updated. | 2-20 |
| | Figure 2-13 and Figure 2-14 were updated. | 2-24 |
| | The following timing parameters were renamed in I/O timing characteristic tables from Table 2-22 to Table 2-60: $t_{IOCLKQ} > t_{CLKQ}$ $t_{IOCLKY} > t_{OCLKQ}$ | 2-26 to 2-52 |
| | Timing numbers were updated from Table 2-22 to Table 2-78. | 2-26 to 2-69 |
| | The "R-Cell" section was updated. | 2-58 |
| | Figure 2-59 was updated. | 2-89 |
| | Figure 2-60 was updated. | 2-89 |
| Figure 2-67 was updated. | 2-100 | |
| Figure 2-68 was updated. | 2-101 | |
| Table 2-89 to Table 2-93 were updated. | 2-90 to 2-94 | |
| Table 2-98 to Table 2-102 were updated. | 2-102 to 2-106 | |

| Revision | Changes | Page |
|--|---|------------------------------------|
| Revision 10 (continued) | The "TRST" section was updated. | 2-107 |
| | The "Global Set Fuse" section was added. | 2-109 |
| | A footnote was added to "FG896" for the AX2000 regarding pins AB1, AE2, G1, and K2. | 3-52 |
| | Pinouts for the AX250, AX500, and AX1000 were added for "CQ352". | 3-98 |
| | Pinout for the AX1000 was added for "CG624". | 3-115 |
| Revision 9 (v2.1) | Table 2-79 was updated. | 2-69 |
| | The "Low Power Mode" section was updated. | 2-106 |
| Revision 8 (v2.0) | Table 1 has been updated. | i |
| | The "Ordering Information" section has been updated. | ii |
| | The "Device Resources" section has been updated. | ii |
| | The "Temperature Grade Offerings" section is new. | iii |
| | The "Speed Grade and Temperature Grade Matrix" section has been updated. | iii |
| | Table 2-9 has been updated. | 2-12 |
| | Table 2-10 has been updated. | 2-12 |
| | Table 2-1 has been updated. | 2-1 |
| | Table 2-2 has been updated. | 2-1 |
| | Table 2-3 has been updated. | 2-2 |
| | Table 2-4 has been updated. | 2-3 |
| | Table 2-5 has been updated. | 2-4 |
| | The "Power Estimation Example" section has been updated. | 2-5 |
| | The "Thermal Characteristics" section has been updated. | 2-6 |
| | The "Package Thermal Characteristics" section has been updated. | 2-6 |
| | The "Timing Characteristics" section has been updated. | 2-7 |
| | The "Pin Descriptions" section has been updated. | 2-9 |
| | Timing numbers have been updated from the "3.3 V LVTTTL" section to the "Timing Characteristics" section. Many AC Loads were updated as well. | 2-25 to 2-59 |
| | Timing characteristics for the "Hardwired Clocks" and "Routed Clocks" sections were updated. | 2-66, 2-68 |
| | Table 2-89 to Table 2-92 and Table 2-98 to Table 2-99 were updated. | 2-90 to 2-93, 2-102 to 2-103 |
| The following sections were updated: "Low Power Mode", "Interface", "Data Registers (DRs)", "Security", "Silicon Explorer II Probe Interface", and "Programming" | 2-106 to 2-110 | |
| In the "PQ208" (AX500) section, pins 2, 52, and 156 changed from V _{CCDA} to V _{CCA} . For pins 170 and 171, the I/O names refer to pair 23 instead of 24. | 3-84 | |

| Revision | Changes | Page |
|------------------------------|--|---|
| Revision 8 (continued) | The following changes were made in the "FG676"(AX500) section: AE2, AE25 AF2, AF25 AB4, AF24, C1, C26 AD15 AD17 | 3-37 Change from NC to GND. Changed from GND to NC Changed from V _{CCDA} to V _{CCA} Change from V _{CCDA} to V _{COMPLE} Changed from V _{COMPLE} to V _{CCDA} |
| | In the "FG896" (AX2000) section, the AK28 changed from VCCIB5 to VCCIB4. | 3-52 |
| | The "CQ352" and "CG624" sections are new. | 3-98, 3-115 |
| Revision 7 (Advance v1.6) | All I/O FIFO capability was removed. | n/a |
| | Table 1 was updated. | i |
| | Figure 1-9 was updated. | 1-7 |
| | Figure 2-5 was updated. | 2-16 |
| | The "Using an I/O Register" section was updated. | 2-16 |
| | The AX250 and AX1000 descriptions were added to the "FG484" section. | 3-21 |
| Revision 6 (Advance v1.5) | Table 2-3 was updated. | 2-2 |
| | Figure 2-1 was updated. | 2-8 |
| | Figure 2-48 was updated. | 2-75 |
| | Figure 2-52 was updated. | 2-82 |
| Revision 5 (Advance v1.4) | In the "PQ208" table, pin 196 was missing, but it has been added in this version with a function of GND. | 3-84 |
| | The following pins in the "FG484" table for AX500 were changed: Pin G7 is GND/LP Pins AB8, C10, C11, C14, AB16 are NC. | 3-21 |
| | The "FG676" table was updated. | 3-37 |
| Revision 4 (Advance v1.3) | The "Device Resources" section was updated for the CS180. | ii |
| | The "Programmable Interconnect Element" and Figure 1-2 are new. | 1-1 and 1-2 |
| | The "CS180" table is new. | 3-1 |
| | The "PQ208" tables for the AX500 were updated. The following pins were not defined in the previous version: GND 21 IO106PB5F10/CLKHP 71 GND 136 | 3-84 |
| Revision 3 (Advance v1.2) | Table 1, "Ordering Information", "Device Resources", and the Product Plan table were updated. | i, ii |
| | The following figures and tables were updated: Figure 1-3 Figure 1-8 (new) Table 2-3 Figure 2-2 Table 2-8 Figure 2-11 | 1-2 1-6 2-2 2-9 2-12 2-23 |
| | The "Design Environment" section was updated. | 1-7 |
| | The "Package Thermal Characteristics" was updated. | 2-6 |

| Revision | Changes | Page |
|---------------------------|---|-------------------|
| Revision 3 (continued) | The timing characteristics tables from pages 2-26 to 2-60 were updated. | 2-26 to 2-60 |
| | The "Global Resources" section was updated. | 2-66 |
| | The timing characteristics tables from pages 2-102 to 2-103 were updated. | 2-102 to 2-103 |
| | The "PQ208", "FG256", and "FG324" tables are new. | 3-9,3-16, 3-84 |

Datasheet Categories

Categories

In order to provide the latest information to designers, some datasheet parameters are published before data has been fully characterized from silicon devices. The data provided for a given device, as highlighted in the "Accelerator Family Device Status" table on page iii, is designated as either "Product Brief," "Advance," "Preliminary," or "Production." The definitions of these categories are as follows:

Product Brief

The product brief is a summarized version of a datasheet (advance or production) and contains general product information. This document gives an overview of specific device and family information.

Advance

This version contains initial estimated information based on simulation, other products, devices, or speed grades. This information can be used as estimates, but not for production. This label only applies to the DC and Switching Characteristics chapter of the datasheet and will only be used when the data has not been fully characterized.

Preliminary

The datasheet contains information based on simulation and/or initial characterization. The information is believed to be correct, but changes are possible.

Production

This version contains information that is considered to be final.

Export Administration Regulations (EAR)

The products described in this document are subject to the Export Administration Regulations (EAR). They could require an approved export license prior to export from the United States. An export includes release of product or disclosure of technology to a foreign national inside or outside the United States.

Safety Critical, Life Support, and High-Reliability Applications Policy

The products described in this advance status document may not have completed the Microsemi qualification process. Products may be amended or enhanced during the product introduction and qualification process, resulting in changes in device functionality or performance. It is the responsibility of each customer to ensure the fitness of any product (but especially a new product) for a particular purpose, including appropriateness for safety-critical, life-support, and other high-reliability applications. Consult the Microsemi SoC Products Group Terms and Conditions for specific liability exclusions relating to life-support applications. A reliability report covering all of the SoC Products Group's products is available at http://www.microsemi.com/soc/documents/ORT_Report.pdf. Microsemi also offers a variety of enhanced qualification and lot acceptance screening procedures. Contact your local sales office for additional reliability information.