


1. SPECIFICATION

AZ-1348E-4WV1

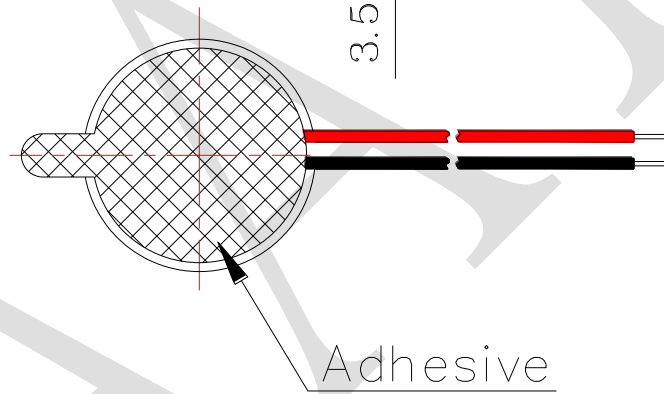
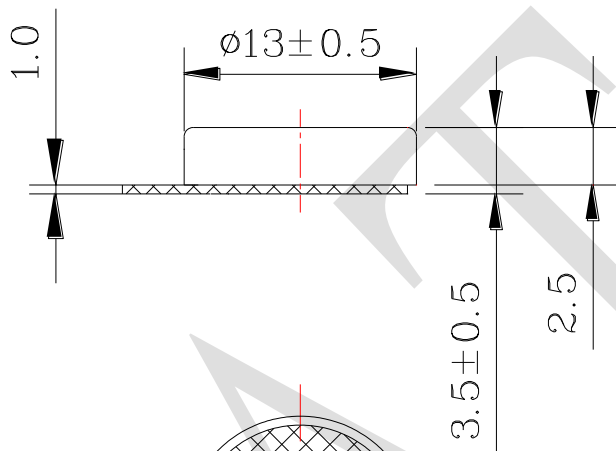
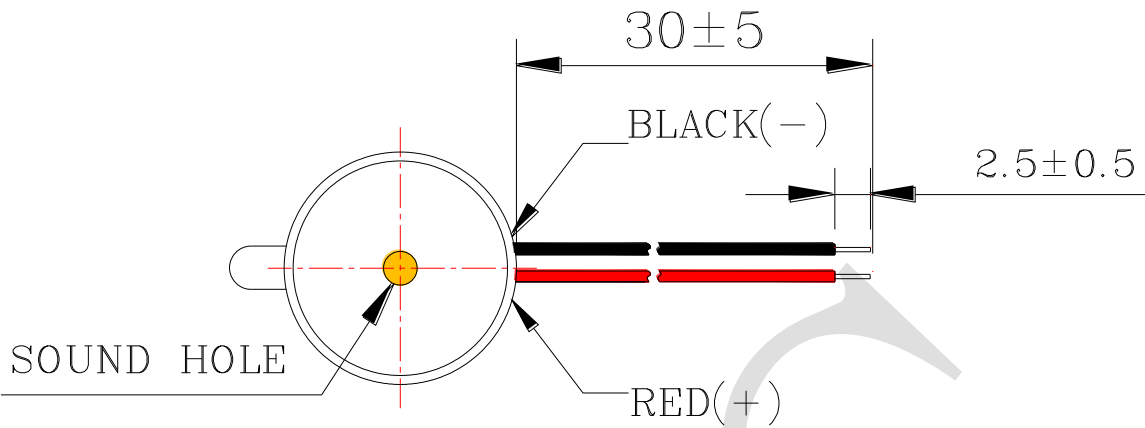
ITEM		UNITS	SPECIFICATIONS	CONDITIONS
01	Rated Voltage	V	9	 Square wave 1/2 duty.
02	Operating Voltage	V	1 ~25	
03	Consumption Current	mA (Max)	5	
04	Sound pressure level (Distance at 10cm)	dB(A) (Min)	80	Rated voltage, rated frequency.
05	Capacitance	pF	10000±30%	At 1KHz
06	Rated Frequency	Hz	4800 ±500	

REV NO.

REVISION NOTE

APPROVAL

DATE



Wire: UL 1571.AWG32#

RoHS

TITLE: PIEZO BUZZER		DRAWN: Zack	2016/08/17	SCALE: 2:1	SHEET: 1:1
PART NO. AZ-1348E-4WV1		DESIGNED: R&D OF AAT	UNITS: mm		
DWG NO. BP1325W30-48(013-132510-24)		CHECKED:	TOLERANCE ± 0.3		
		APPROVAL:	UNLESS OTHERWISE SPECIFIED: ONE PLACE DECIMAL \pm *** TWO PLACE DECIMAL \pm *** THREE PLACE DECIMAL \pm ***		
REV	1	MATERIAL: ABS			



ADVANCED ACOUSTIC TECHNOLOGY CORPORATION