
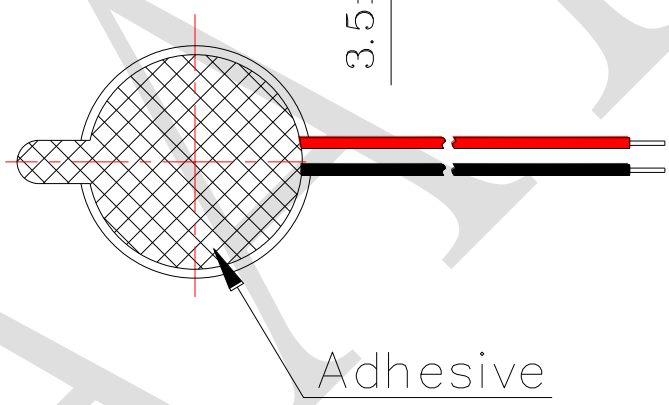
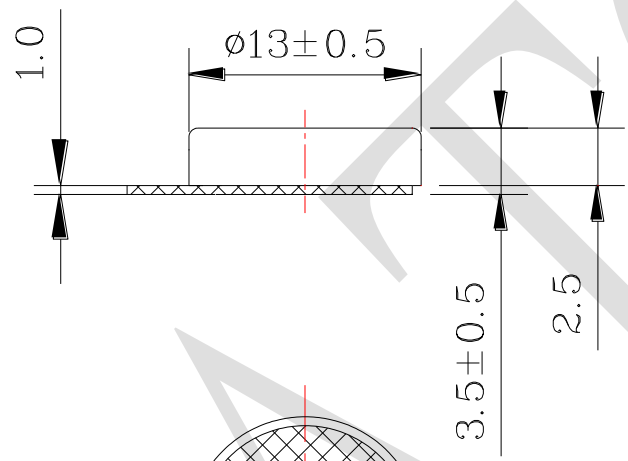
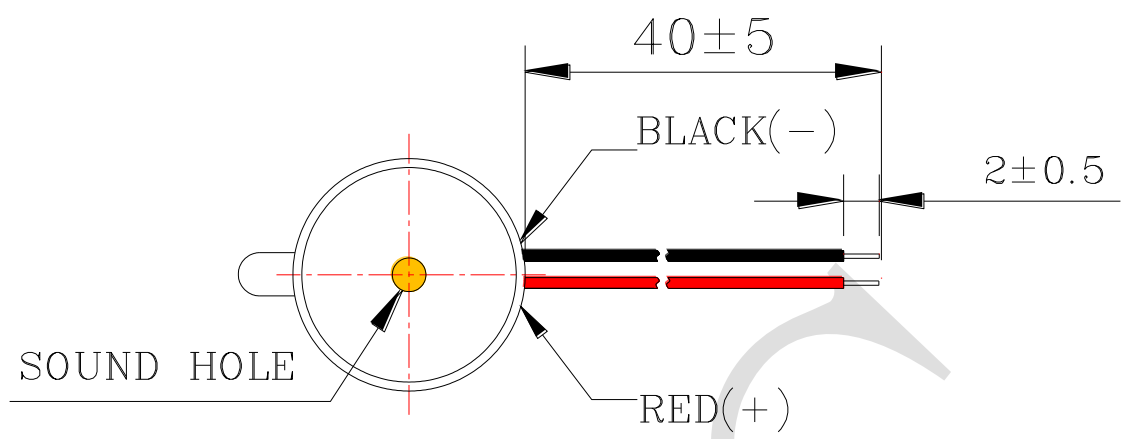


1. SPECIFICATION

AZ-1348E-4WV

ITEM		UNITS	SPECIFICATIONS	CONDITIONS
01	Rated Voltage	V	9	 Square wave 1/2 duty.
02	Operating Voltage	V	1 ~25	
03	Consumption Current	mA (Max)	5	
04	Sound pressure level (Distance at 10cm)	dB(A) (Min)	80	Rated voltage, rated frequency.
05	Capacitance	pF	10000±30%	At 1KHz
06	Rated Frequency	Hz	4800 ±500	

REV NO.	REVISION NOTE	APPROVAL	DATE
---------	---------------	----------	------



Wire: UL 1571.AWG32#

RoHS

TITLE: <i>PIEZO BUZZER</i>		DRAWN: Zack	2016/06/21	SCALE: 2:1	SHEET: 1:1
PART NO. <i>AZ-1348E-4WV</i>		DESIGNED: <i>R&D OF AAT</i>	UNITS: <i>mm</i>		
DWG NO. <i>BP1325W40-48</i>		CHECKED:	TOLERANCE ± 0.3		
		APPROVAL:	UNLESS OTHERWISE SPECIFIED: ONE PLACE DECIMAL ± *** TWO PLACE DECIMAL ± *** THREE PLACE DECIMAL ± ***		
REV 1		MATERIAL: <i>ABS</i>			



ADVANCED ACOUSTIC TECHNOLOGY CORPORATION