
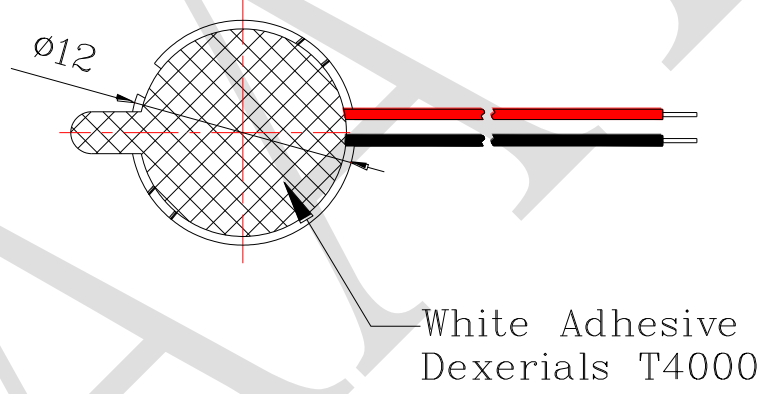
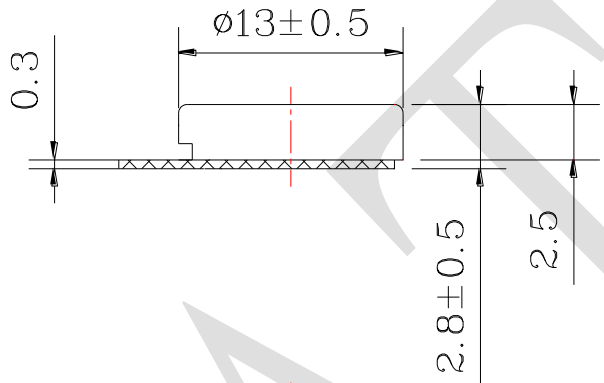
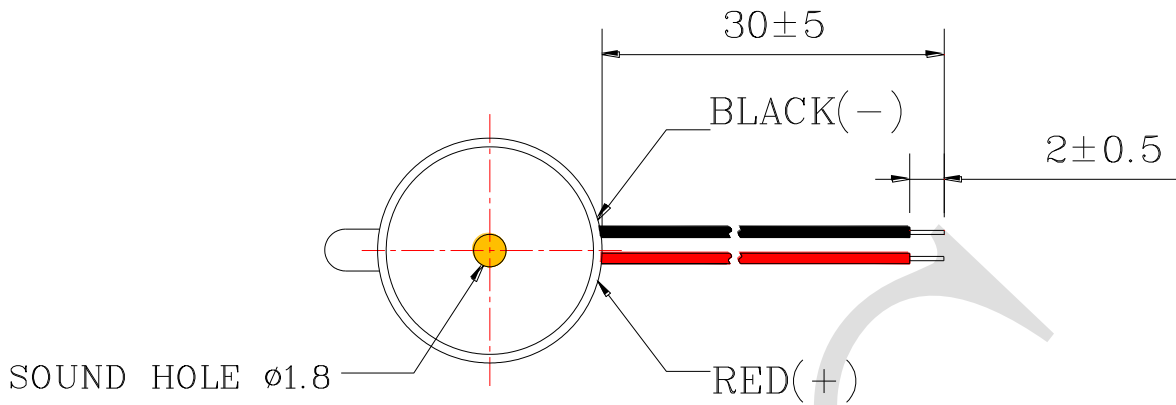


1. SPECIFICATION

AZ-1348E-6WV1

ITEM		UNITS	SPECIFICATIONS	CONDITIONS
01	Rated Voltage	V	10	 <p>Square wave 1/2 duty.</p>
02	Operating Voltage	V	1 ~ 25	
03	Consumption Current	mA (Max)	5	
04	Sound pressure level (Distance at 10cm)	dB(A) (Min)	80	Rated voltage, rated frequency.
05	Capacitance	pF	14000±30%	At 120Hz
06	Rated Frequency	Hz	4800	

REV NO.	REVISION NOTE	APPROVAL	DATE
---------	---------------	----------	------



Wire: UL 1571.AWG32#

RoHS

TITLE: <i>PIEZO BUZZER</i>		DRAWN: Zack	2018/12/13	SCALE: 2:1	SHEET: 1:1
PART NO. <i>AZ-1348E-6WV1</i>	1	DESIGNED: <i>R&D OF AAT</i>	UNITS: <i>mm</i>		
DWG NO. <i>*****</i>		CHECKED:	TOLERANCE ± 0.3		
	REV	APPROVAL:	UNLESS OTHERWISE SPECIFIED:		
		MATERIAL: <i>ABS</i>	ONE PLACE DECIMAL ± ***		
			TWO PLACE DECIMAL ± ***		
			THREE PLACE DECIMAL ± ***		



ADVANCED ACOUSTIC TECHNOLOGY CORPORATION