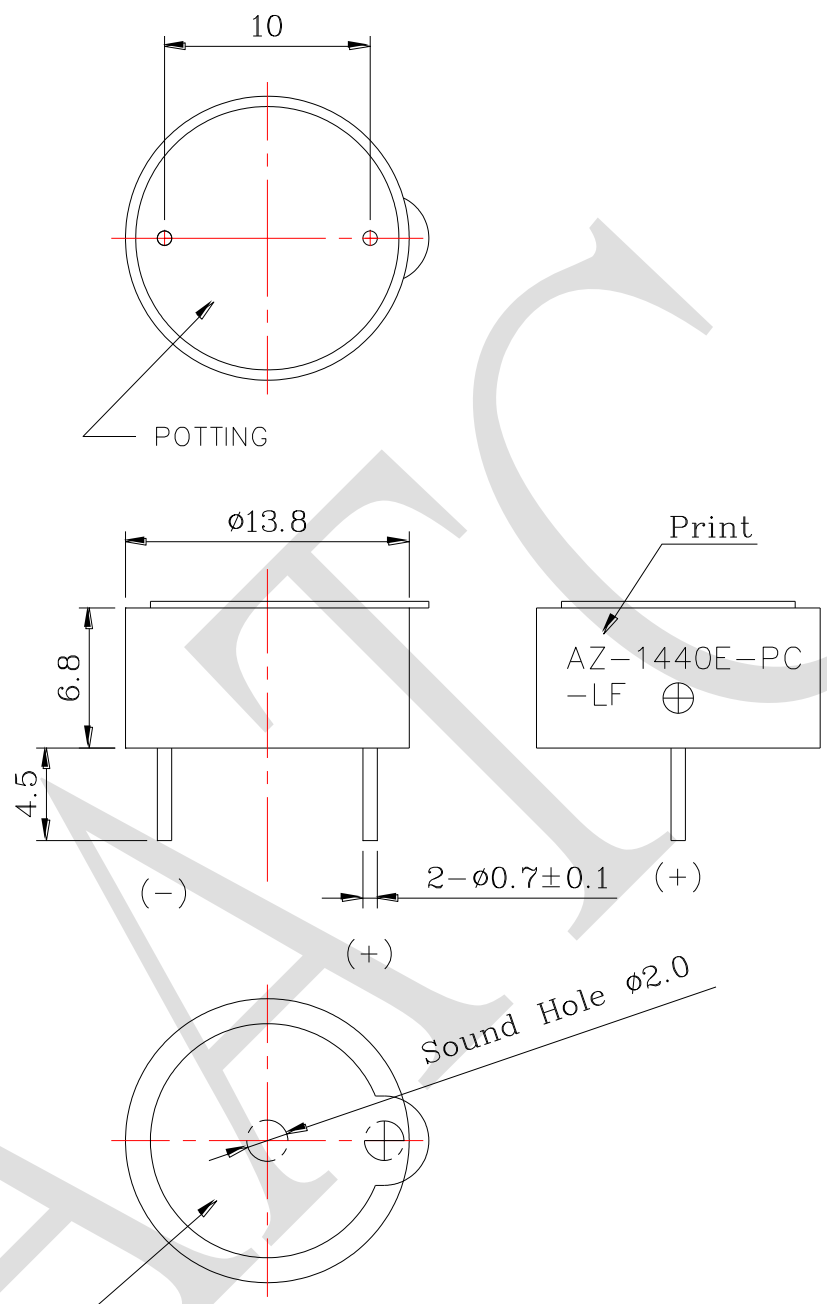


## 1. SPECIFICATION

AZ-1440E-PC-LF

ITEM		UNITS	SPECIFICATIONS	CONDITIONS
01	Rated Voltage	V	5	Vp-p (Square Wave) 1/2 duty
02	Operating Voltage	V	1 ~ 20	
03	Rated Current	mA(Max)	5	Rated Voltage
04	Sound pressure level (Distance at 10cm )	dBA(Min)	80	Rated Voltage Rated Frequency
05	Rated Frequency	Hz	4000 ± 500	Rated Voltage
06	Capacitance	pF	13000 ±30%	At 120 Hz

REV NO.	REVISION NOTE	APPROVAL	DATE
---------	---------------	----------	------



RoHS

TITLE:	PIEZO BUZZER	DRAWN:	Zack	2015/01/19	SCALE:	2:1	SHEET:	1:1
PART NO.	AZ-1440E-PC-LF	DESIGNED:	R&D OF AAT		UNITS:	mm		
DWG NO.	UGPM14A4005P-10	CHECKED:			TOLERANCE	$\pm 0.5$		
		APPROVAL:			UNLESS OTHERWISE SPECIFIED:	ONE PLACE DECIMAL $\pm$ ***		
		MATERIAL:	NORYL			TWO PLACE DECIMAL $\pm$ ***		
						THREE PLACE DECIMAL $\pm$ ***		



**ADVANCED ACOUSTIC TECHNOLOGY CORPORATION**