
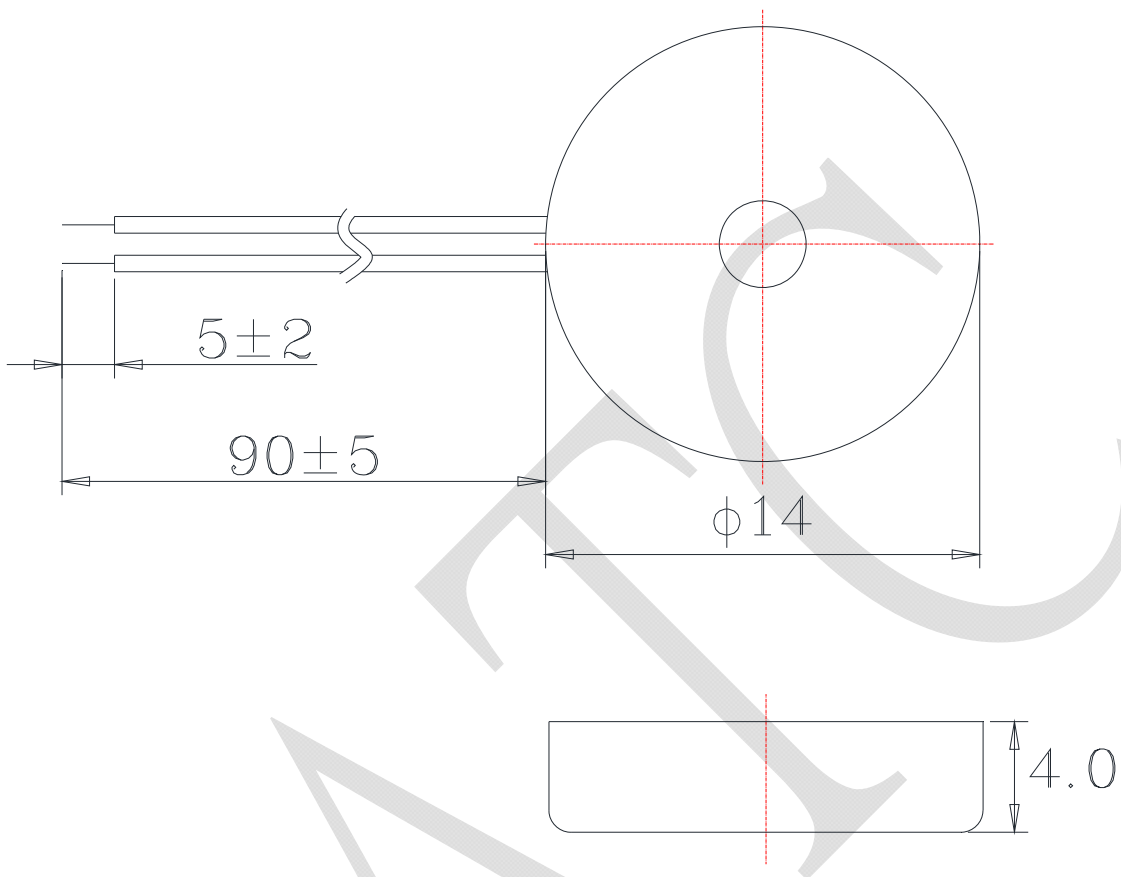


1. SPECIFICATION

AZ-1448E-W-LF

ITEM		UNITS	SPECIFICATIONS	CONDITIONS
01	Rated Voltage	V	10	 <p>Square wave 1/2 duty.</p>
02	Operating Voltage	V	1 ~ 30	
03	Consumption Current	mA (Max)	10	
04	Sound pressure level (Distance at 10cm)	dB(A) (Min)	85	Rated voltage, rated frequency.
05	Capacitance	pF	15000±30%	At 120Hz
06	Rated Frequency	Hz	4800	
07	Operating Temp.	°C	-40 ~ +85	
08	Storage Temp.	°C	-40 ~ +85	
09	Weight	g	1	
10	Housing Material		NORYL	

REV NO.	REVISION NOTE	APPROVAL	DATE
---------	---------------	----------	------



WIRE: UL1571, AWG 30#

RoHS

TITLE: PIEZO TRANSDUCER		DRAWN: <i>Hank</i> 2020/10/07	SCALE: 2:1	SHEET: 1:1
PART NO. AZ-1448E-W-LF		DESIGNED: R&D OF AAT	UNITS: mm	TOLERANCE ± 0.3
DWG NO. UGPA14B4810W90	2 REV	CHECKED:	FIRST ANGLE PROJECTION	
		APPROVAL:		
		MATERIAL: NORYL		



ADVANCED ACOUSTIC TECHNOLOGY CORPORATION