

Adaptor-5V1A SPECIFICATION

Adapter Specification Sheet



4D SYSTEMS
TURNING TECHNOLOGY INTO ART

PRODUCT	ADAPTOR-5V1A	BASED ON THE STANDARD OF CE FCC UL KCC SAA C-TICK ROHS	
INPUT	AC:100-240V DC: 5V1A		
ADAPTERS			
VER	A1		
DATE	11/04/2014		

YHY	DESCRIPTION	SWITCHING POWER	SHEET NO.	
			VER:	A1
	ADAPTERS		PART NO.	
	1.INPUT REQUIREMENT			
	2.OUTPUT SPECIFICATION			
	3.MECHANICAL			
	4.RELIABILITY			
	5.ENVIRONMENT			
	6.OUTLOOKING			
	7.SAFETY			
	8. QC CHECK			
	9. Production of appearance drawing			
	10. Label			
	11.circuit drawing			
	12.Packing			

YHY	DESCRIPTION	SWITCHING POWER	SHEET NO	
			VER:	A1
	ADAPTERS		PART NO.	

1.INPUT REQUIREMENT				
ITEM	SPECIFICATION	MIN	TYP.	MAX
NORMAL AC INPUT VOLTAGE	SINGLE PHASE	100Vac	100Vac/ 240Vac	240Vac
AC INPUT VOLTAGE RANGE	SINGLE PHASE	90Vac	100Vac/ 240Vac	264Vac
AC INPUT FREQUENCY	SINGLE PHASE	47Hz	50/60Hz	63Hz
AC INPUT CURRENT	TYPICAL INPUT VOLTAGE& OUTPUT AT FULL LOAD.			800mA
AC INRUSH CURRENT	TYPICAL INPUT VOLTAGE& OUTPUT AT FULL LOAD , 25°C.			20A
EFFICIENCY	TYPICAL INPUT VOLTAGE& OUTPUT AT FULL LOAD	80%		
2.OUTPUT SPECIFICATION				
ITEM	SPECIFICATION	MIN	TYP.	MAX
NORMAL DC OUTPUT VOLTAGE			5Vdc	
DC OUTPUT VOLTAGE RANGE	TYPICAL OUTPUT VOLTAGE ±5%	4.75V		5.25V
LOAD CURRENT RANGE		0A		1A
PEAK LOAD CURRENT	TIME<60S			1.5A
RIPPLE	TYPICAL INPUT VOLTAGE , TYPICAL LOAD CURRENT , 25°C			50mV
HOLD-UP TIME	AT TYPICAL INPUT VOLTAGE AND FULL LOAD	10mS		
TURN-ON DELAY	TYPICAL INPUT VOLTAGE AND TYPICAL LOAD CURRENT			3S
OVER CURRENT PROTECTION	AUTO RECOVERY			1.5A


SHORT CIRCUIT PROTECTRON	THE ADAPTER SHALL NOT DAMAGE BY SHORT THE DC OUTPUT TO GROUND			
OVER VOLTAGE PROTECTION				8V
TEST MEASURES:				
C1: 0.1uF CERAMICS CAPACITOR				
C2: 10uF 50V ALUMINUM CAPACITOR				

YHY	DESCRIPTION	SWITCHING POWER	SHEET NO	
			VER:	A1
	ADAPTERS		PART NO.	

3.MECHANICAL				
ITEM	SPECIFICATION OR TEST CONDITION	ACCEPTANCE CRITERIA		
BENDING TEST	NORMAL TEMPERATURE	NO SHORT CIRCUIT		
	THE CORD SHALL WITHSTAND WEIGHT OF 200g, SWINGING FROM	NO BREAKAGE OF THE CORD		
	LEFT TO RIGHT AT AN ANGLE OF 60 DEG. 1000CYCLE TIMES MIN.			
	S/R SHALL WITHSTAND WEIGHT OF 1N. SWINGING FROM LEFT TO			
	RIGHT AT AN ANGLE OF 60DEG. 1000CYCLE TIMES MIN.			
	BENDING SPEED 40CYCLE/MINUTE			
VIBRATION	FREQUENCY RANGE:10~55Hz	THERE SHALL BE NO ABNORMALITY ON THE APPEARANCE STRUCTURE AND OPERATING		
	AMPLITUDE:1.5mm			
	ACCELERATION: 1G			
	SWEEP 1 MINUTE FOR X,Y,Z,AXIS EACH			
4.RELIABILITY				
ITEM	TEST CONDITION	ACCEPTANCE CRITERIA		

TEMPERATURE UP WITH	TEST AT SURFACE OF THE CASE WITH TYPICAL	TEMPERATURE UP UNDER		
TYPICAL LOAD	AC INPUT AND TYPICAL LOAD IN OUTPUT	35 DEGREES		
	50/60Hz			
HI-POT TEST	BETWEEN INPUT&OUTPUT 3000Vac 60 SECONDS 10mA	NO DAMAGE		
	IT IS BASE ON EN60950 5.2.2 TEST PROCEDURE.			
	FOR MASS PRODUCTION, IT IS TESTED BY 3.3KV/1 SECOND.			
INSULATION RESISTANCE	INPUT TO OUTPUT,DC 500V	>100MΩ		
MTBF	TYPICAL INPUT&FULL LOAD , 25°C	50000 HOURS		
LIFE	TYPICAL INPUT&FULL LOAD, 40°C	1YEARS ABOVE		
	TYPICAL INPUT&FULL LOAD, 25°C	2YEARS ABOVE		
BURN-IN	AT 30°C(±10°C),NORMAL INPUT VOLTAGE	2~4 HOURS		
5.ENVIRONMENT				
ITEM	SPECIFICATION OR TEST CONDITION	min.	typ.	max.
OPERATING TEMPERATURE		0°C		40°C
STORAGE TEMPERATURE		-20°C		85°C
OPERATING HUMILITY	NON-CONDENSING	5%RH		90%RH
STORAGE HUMILITY	NON-CONDENSING	5%RH		90%RH

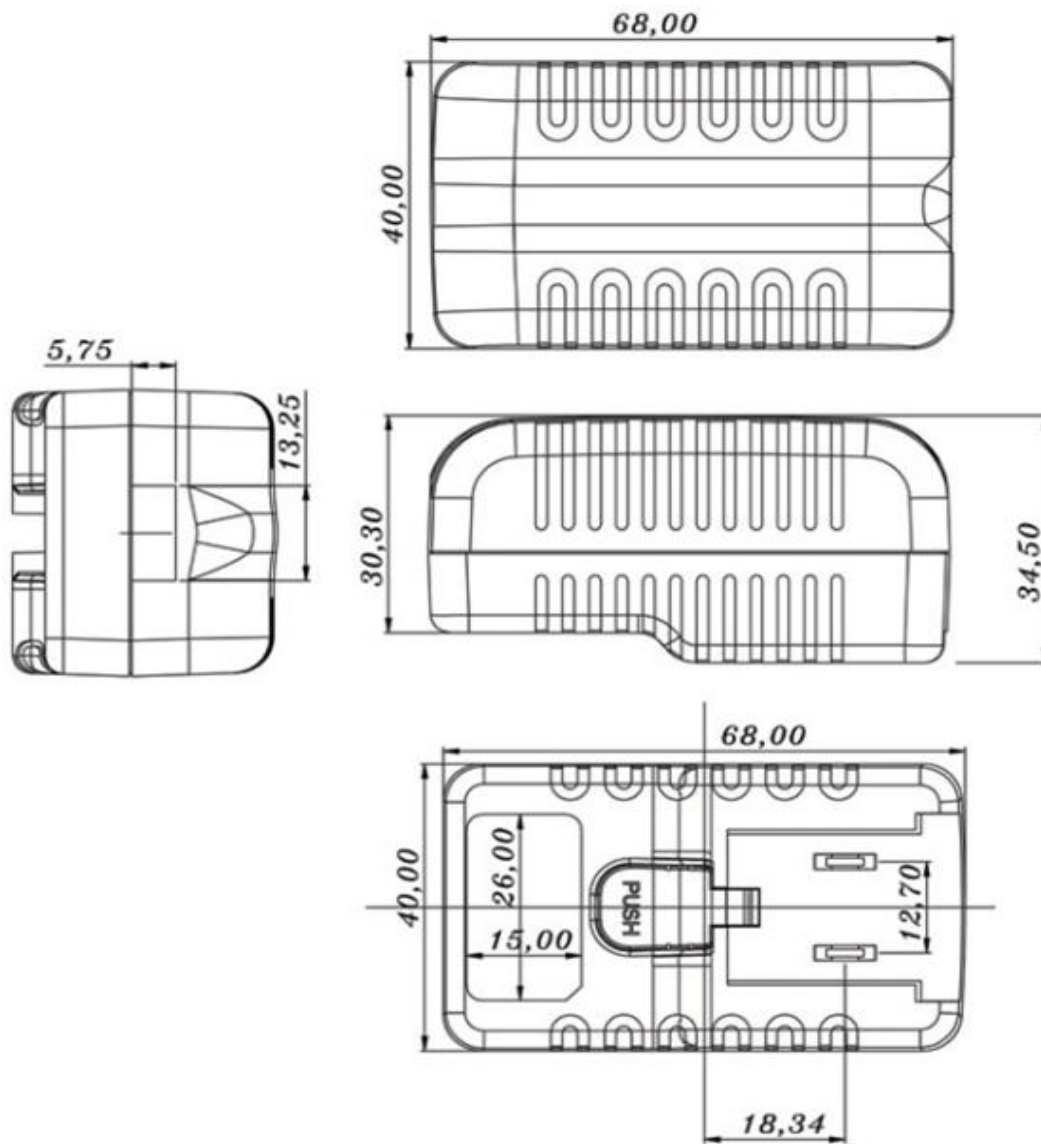
YHY	DESCRIPTION	SWITCHING	SHEET NO	
		POWER	VER:	A1
	ADAPTERS		PART NO.	

6.OUTLOOKING				
DIMENSION	68(L)X40(W)X35(H)mm			
WEIGHT	ABOUT 130g			
DC OUTPUT TYPE				2. 35*0.7mm
DC OUTPUT CABLE	DC1.5M			
INDICATION	LABEL			
CASE MATERIAL				
PCB MATERIAL	C-5W			
7.SAFETY				
COMPLY SAFETY STANDARDS	STANDARD	FILE NO.		
EMI				
8.QC CHECK				
ALL OF THE QUANTITY SHALL BE CHECKED BEFORE SHIPMENT, CHECK ITEM AS BELOW:				
(1)DC PLUG POLE CHECK	Miss Liu			
(2)OCP FUNCTION CHECK	Mr. Lai			
(3)DCOUTPUT VOLTAGE CHECK	Miss Lee			
(4)HIPOT&INSULATION CHECK	Mr. Chen			
(5)OUTLOOKING CHECK	Miss Lee			

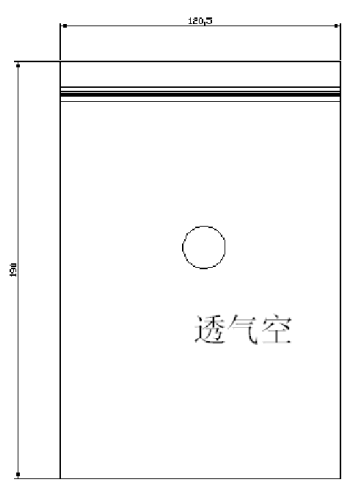
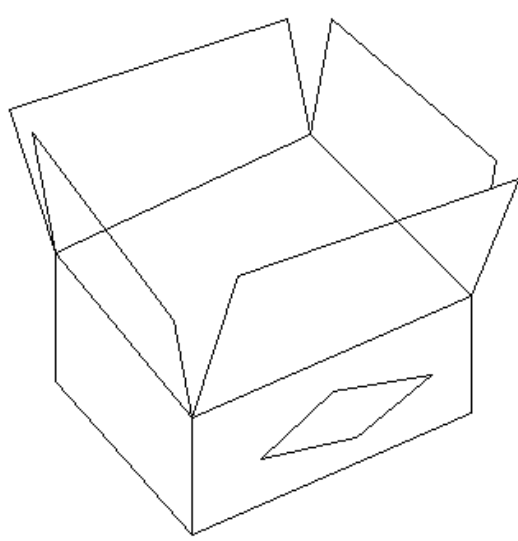
YHY	DESCRIPTION	SWITCHING POWER	SHEET NO	
			VER:	A1
	ADAPTERS		PART NO.	

9. Production of appearance drawing





12: packing



2. plastic bag