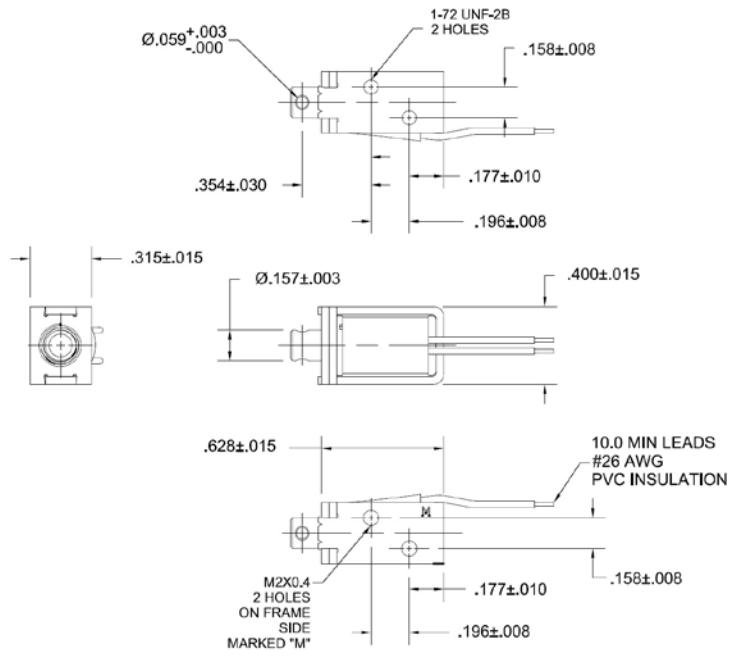


Model B12

DC Pull Box Frame Solenoid

Size: 0.63" L x 0.32" W x 0.40" H

ALL PRODUCTS ARE RoHS COMPLIANT



Solenoid shown energized with plunger fully seated

| Part No. | Duty Cycle | Voltage | Resistance (Ω) ± 5% | Max On Time | Power (W) | Current (A) |
|-------------|--------------|---------|---------------------|-------------|-----------|-------------|
| B12-255-B-3 | Intermittent | 12 VDC | 27.7 | 11 Secs | 5.2 | 0.43 |
| B12-254-B-3 | Continuous | 12 VDC | 110.8 | ∞ | 1.3 | 0.11 |
| B12-254-B-3 | Intermittent | 24 VDC | 110.8 | 11 Secs | 5.2 | 0.22 |
| B12-253-B-3 | Continuous | 24 VDC | 443.1 | ∞ | 1.3 | 0.05 |

Continuous Duty = 100% "On" Time
 Intermittent Duty = 25% "On" Time
 When ordering please refer to Part No. as listed above
 Please consult factory for custom configurations

| Stroke (in.) | Typical Pull Force (oz.) | | | | | | | | Holding Force (oz.) |
|-------------------|--------------------------|-------|-------|-------|-------|-------|-------|-------|---------------------|
| | 0.010 | 0.020 | 0.030 | 0.040 | 0.050 | 0.060 | 0.080 | 0.100 | |
| Continuous Duty | 3.2 | 2.0 | 1.4 | 0.8 | 0.5 | 0.3 | 0.3 | 0.2 | 7.7 |
| Intermittent Duty | 9.0 | 6.5 | 5.3 | 4.0 | 3.6 | 3.0 | 18. | 1.3 | N/A |

Additional Specifications:

- Dielectric Strength: 500 VRMS
- Recommended Heat Sink: All force values shown are with no heat sink and 20°C ambient temperature
- Coil Insulation: Class "A" - 105°C max temperature
- Total Unit Weight: 0.30 oz. / 8.5 g
- Plunger Weight: 0.05 oz. / 1.4 g

