

## 13.75 GHz Surface Mount Bandpass Filter

**B138MB1S**

### DESCRIPTION

One of DLI's surface mountable catalog bandpass filters. This filter utilizes DLI's low loss temperature stable materials which offer small size and minimal performance variation over temperature. The catalog BPF's are offered in a variety of frequency bands, which offers a drop in solution with highly repeatable performance.

### FEATURES

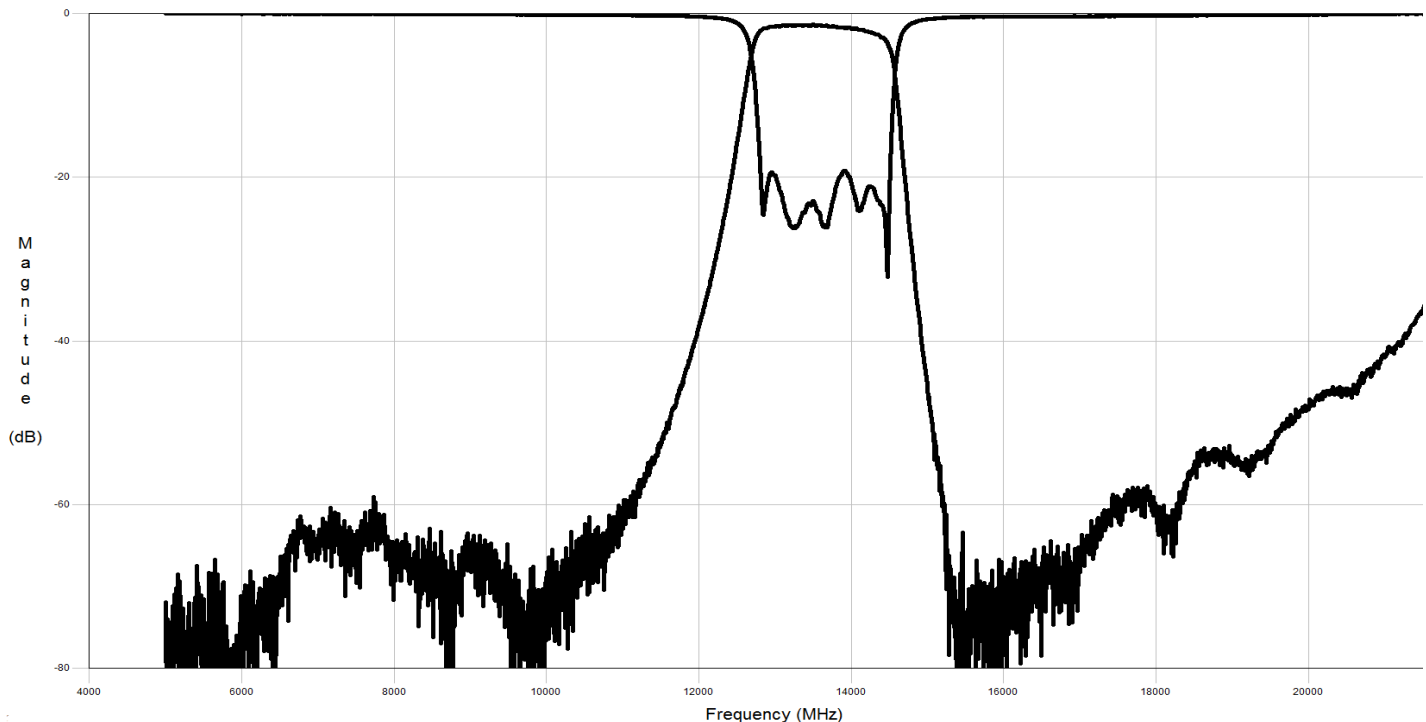
- Small Size
- Fully Shielded Component
- Solder Surface Mount Package
- Moisture Sensitivity Level: MSL1
- Frequency Stable over Temperature
- Operating & Storage Temp: -55°C to +125°C
- Characteristic Impedance: 50Ω

### SPECIFICATIONS\*

Parameter	Frequency Range (GHz)	Min	Typ.	Max
Insertion Loss (dB)	13.25 - 14.25	-	2.75	3.0
Return Loss (dB)		12	15	-
Low Side Rejection (dB)	DC - 11.75	40	45	-
High Side Rejection (dB)	15.25– 21.0	40	45	-
Input Power (W)				TBD
Size (L x W x H)	0.400 x 0.200 x 0.098 in 10.16 x 5.0 x 2.5 mm			

\*Electrical specifications based on typical probed performance at room temperature. Insertion loss shall vary up to ±0.5dB over

### Typical Measured Performance

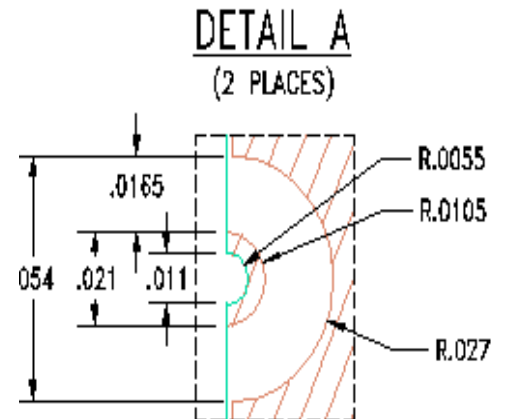
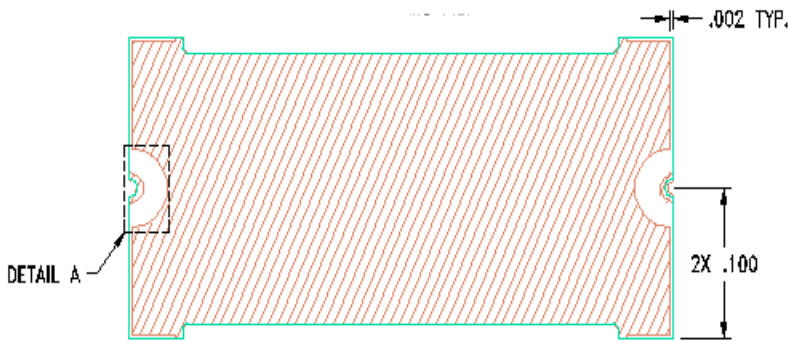
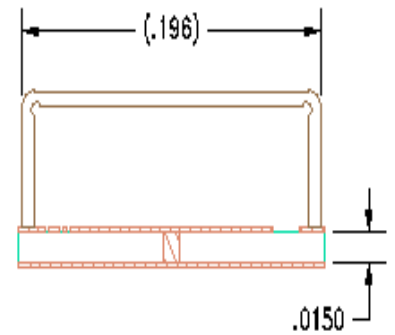
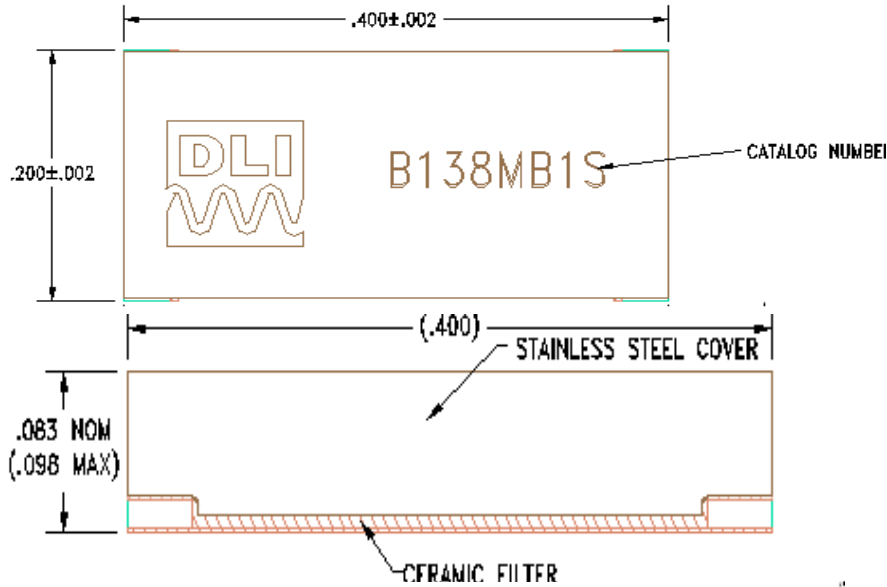


**13.75 GHz Surface Mount Bandpass Filter**

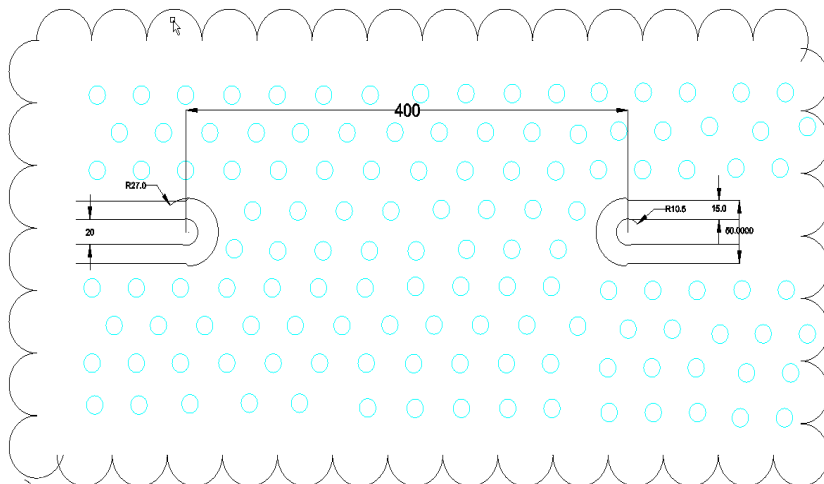
**B138MB1S**

**Physical Dimensions**

Units = inches



**Recommended PCB Layout**



- 50Ω trace dimensions are application specific.
- Ensure adequate grounding beneath the part.

