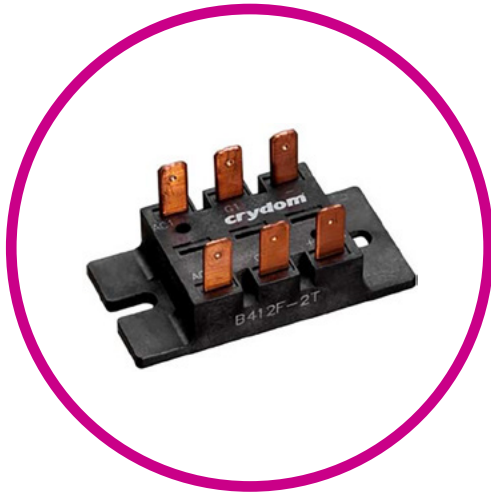




## B48-2T, B48-2 | SERIES

POWER MODULES



### Features

- Single and Three Phase Circuits
- 5 Different Circuits to Choose from
- Up to 1600 Volt Blocking Standard
- UL Recognized E72445



### ELECTRICAL SPECIFICATIONS

	Symbol	Single Phase		Three Phase
Maximum DC Output Current (Tc = 85°C)	$I_D$	35A		50A
Maximum Voltage Drop @ Amps Peak	$V_F$	1.25V @ 35A		1.35V @ 50A
Operating Junction Temperature Range	$T_J$	-40 - 125°C		-40 - 125°C
			400 (120 VAC)	
			600 (240 VAC)	
Repetitive Peak Reverse Voltage (AC Line Nominal) [Vpk]	$V_{RMS}$		800 (280 VAC)	
			1200 (480 VAC)	
			1400 (530 VAC)	
			1600 (600 VAC)	
Maximum Non-Repetitive Surge Current (1/2 Cycle, 60 Hz)	$I_{TSM}$	600		600
Maximum I <sup>2</sup> T for Fusing (t=8.3ms) [A <sup>2</sup> sec]	I <sup>2</sup> T	1500		1500
Maximum Thermal Resistance, Junction to Ceramic Base per Chip [°C/W]	$R_{JC}$	0.9°C/W		0.9°C/W
Isolation Voltage [Vrms]	$V_{ISOL}$		2500	

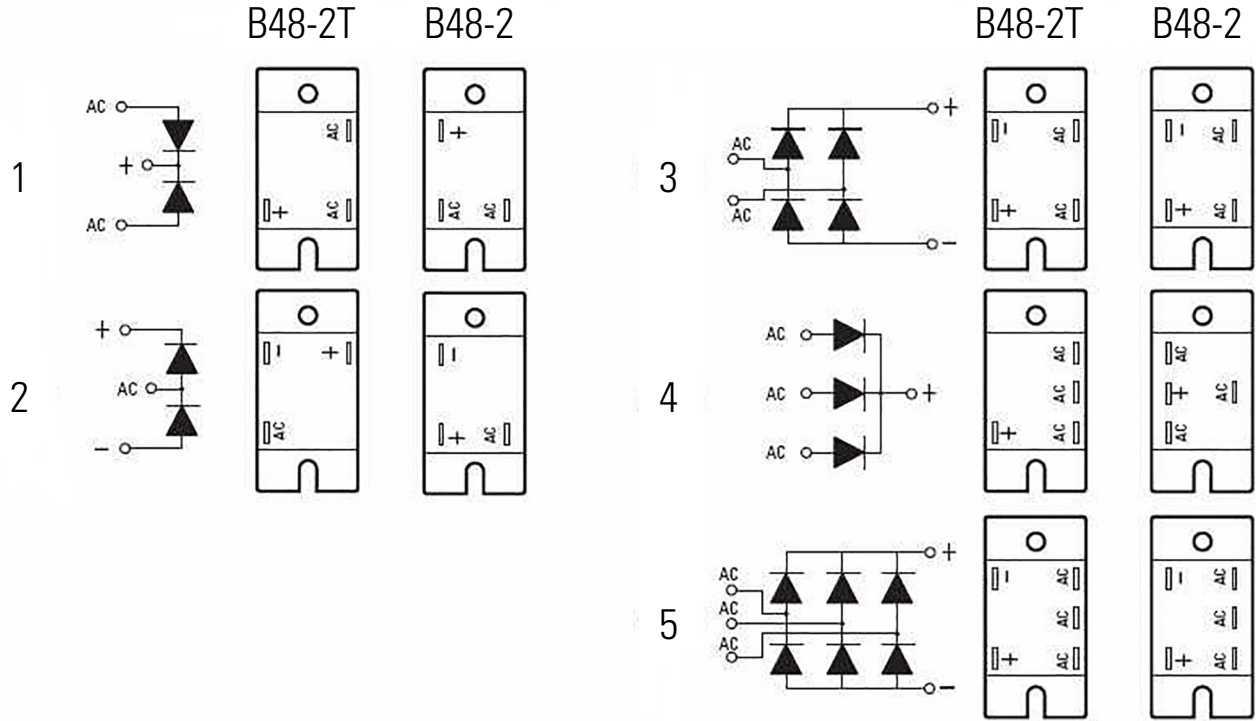


### GENERAL SPECIFICATIONS

Description	Parameters
Weight (typical)	1.5 oz (42.5g)



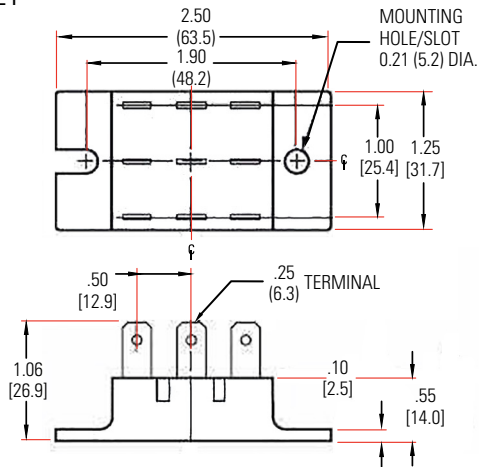
# CIRCUIT DIAGRAMS



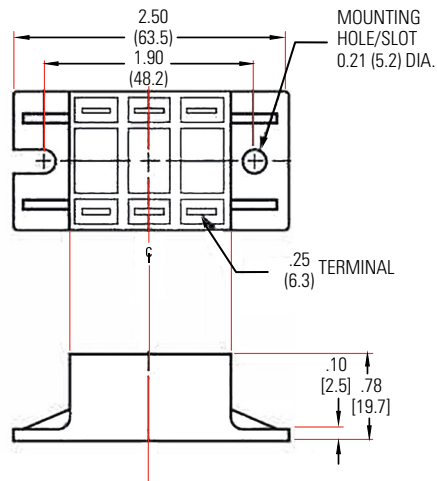
# MECHANICAL SPECIFICATIONS

\*Tolerances: ±0.02 in / 0.5 mm All dimensions are in: inches [millimeters]

### B48-2T

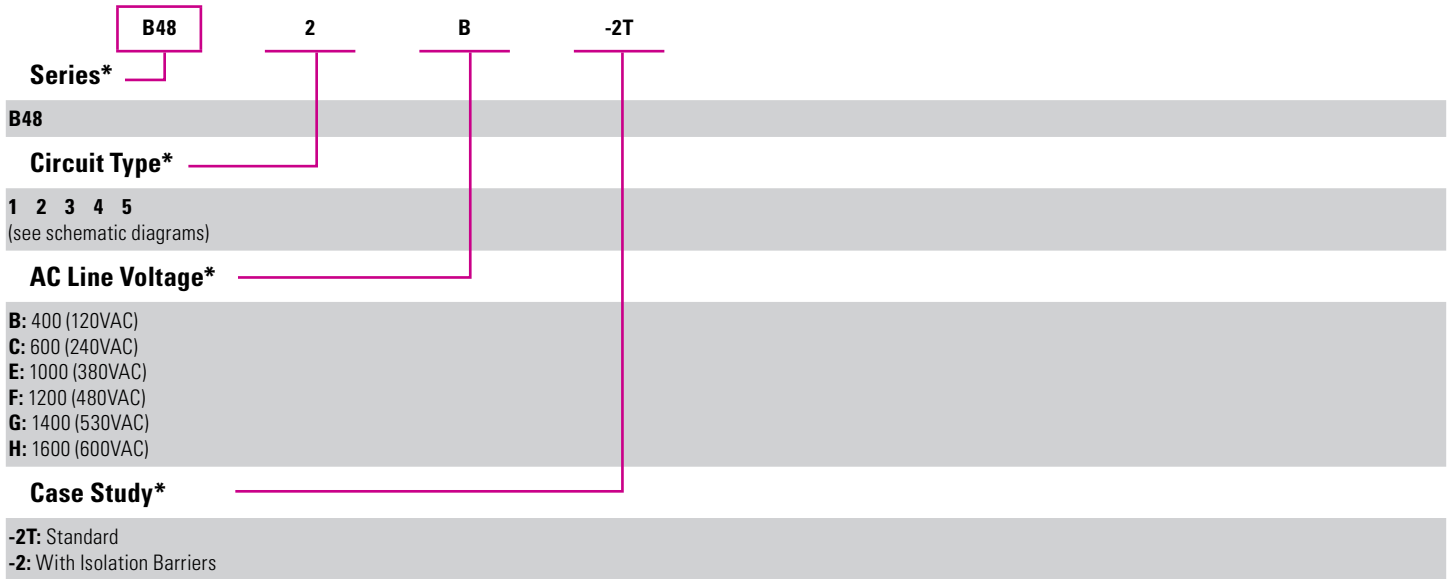


### B48-2





Note: Not all combinations available



\*Required for valid part number

\*\*For options only and not required for valid part number