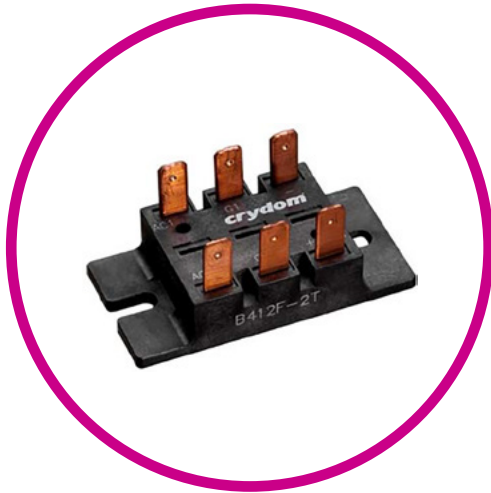




B48-2T, B48-2 | SERIES

POWER MODULES



Features

- Single and Three Phase Circuits
- 5 Different Circuits to Choose from
- Up to 1600 Volt Blocking Standard
- UL Recognized E72445



ELECTRICAL SPECIFICATIONS

	Symbol	Single Phase		Three Phase
Maximum DC Output Current (Tc = 85°C)	I_D	35A		50A
Maximum Voltage Drop @ Amps Peak	V_F	1.25V @ 35A		1.35V @ 50A
Operating Junction Temperature Range	T_J	-40 - 125°C		-40 - 125°C
			400 (120 VAC)	
			600 (240 VAC)	
Repetitive Peak Reverse Voltage (AC Line Nominal) [Vpk]	V_{RMS}		800 (280 VAC)	
			1200 (480 VAC)	
			1400 (530 VAC)	
			1600 (600 VAC)	
Maximum Non-Repetitive Surge Current (1/2 Cycle, 60 Hz)	I_{TSM}	600		600
Maximum I ² T for Fusing (t=8.3ms) [A ² sec]	I ² T	1500		1500
Maximum Thermal Resistance, Junction to Ceramic Base per Chip [°C/W]	R_{JC}	0.9°C/W		0.9°C/W
Isolation Voltage [Vrms]	V_{ISOL}		2500	

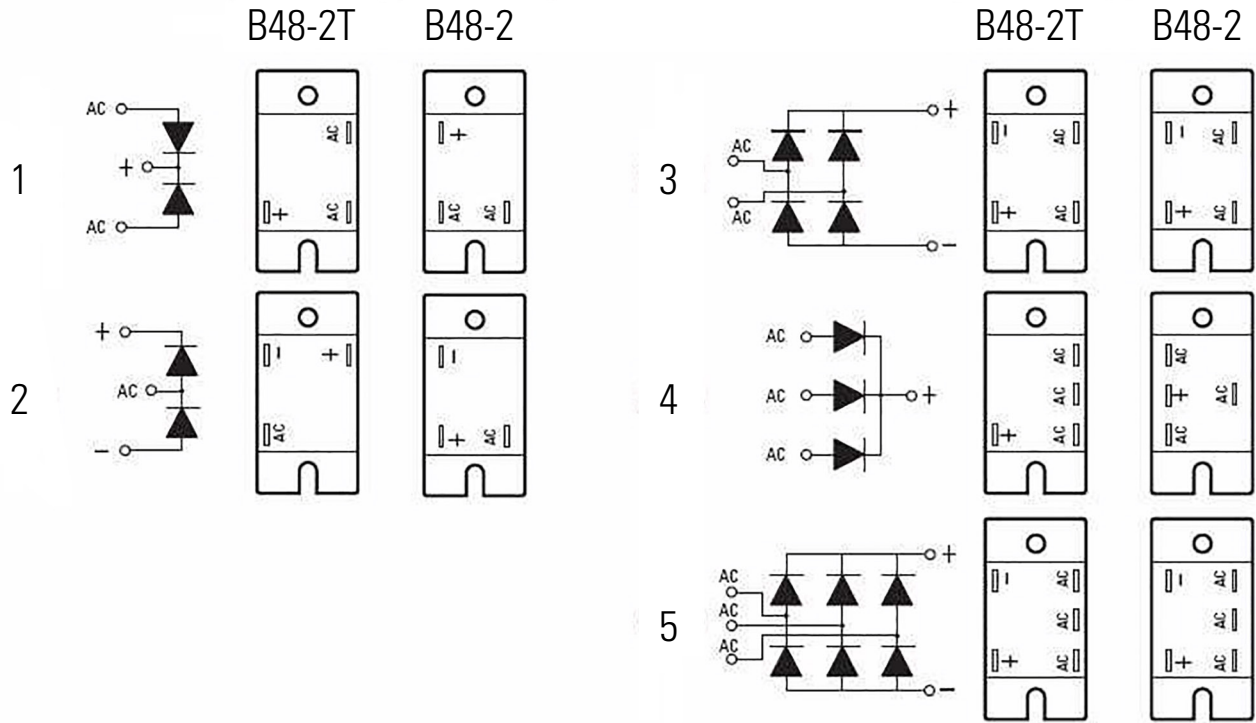


GENERAL SPECIFICATIONS

Description	Parameters
Weight (typical)	1.5 oz (42.5g)



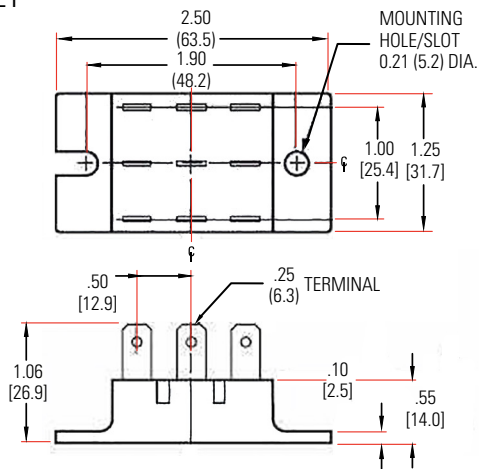
CIRCUIT DIAGRAMS



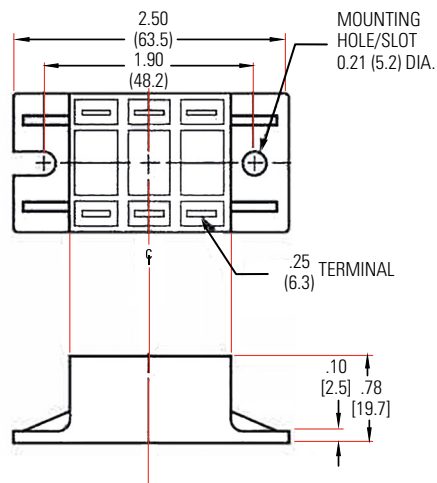
MECHANICAL SPECIFICATIONS

*Tolerances: ±0.02 in / 0.5 mm All dimensions are in: inches [millimeters]

B48-2T

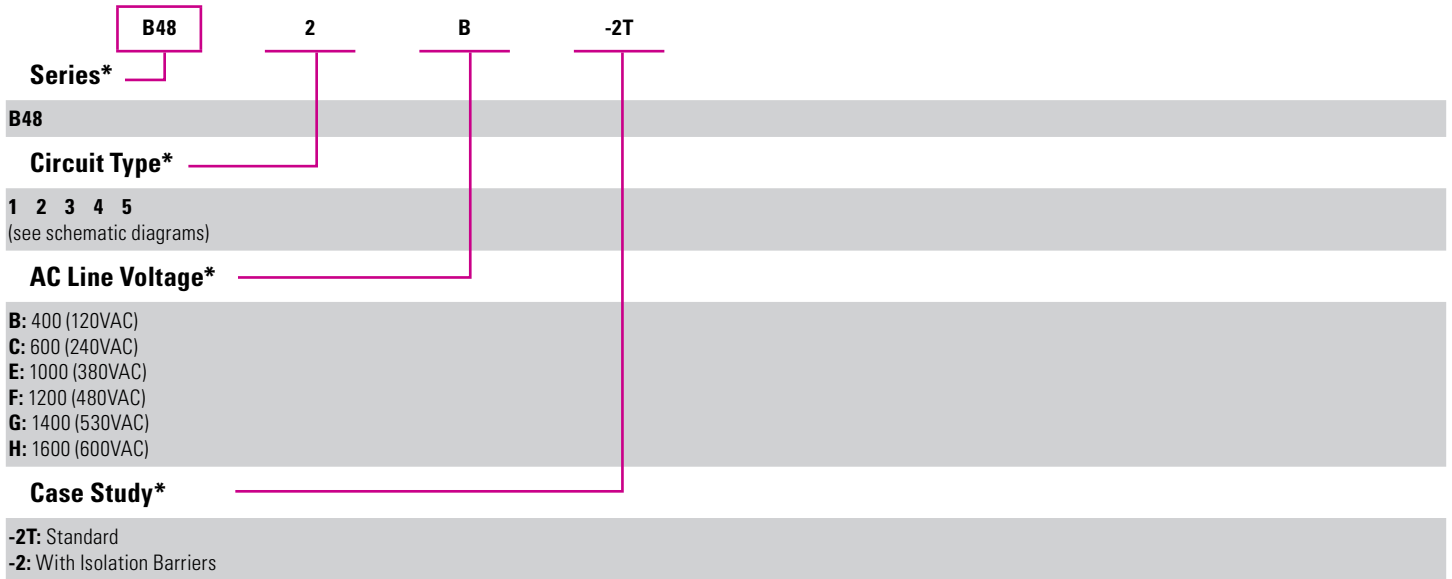


B48-2





Note: Not all combinations available



*Required for valid part number

**For options only and not required for valid part number