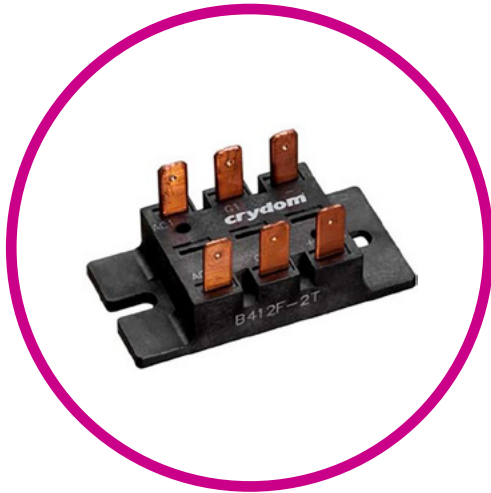




## B48-2T, B48-2 | SERIES

POWER MODULES



### Features

- Single and Three Phase Circuits
- 5 Different Circuits to Choose from
- Up to 1600 Volt Blocking Standard
- UL Recognized E72445



### ELECTRICAL SPECIFICATIONS

|  | Symbol           | Single Phase |                | Three Phase |
|--|------------------|--------------|----------------|-------------|
| Maximum DC Output Current (Tc = 85°C)                                | $I_D$            | 35A          |                | 50A         |
| Maximum Voltage Drop @ Amps Peak                                     | $V_F$            | 1.25V @ 35A  |                | 1.35V @ 50A |
| Operating Junction Temperature Range                                 | $T_J$            | -40 - 125°C  |                | -40 - 125°C |
|  |                  |              | 400 (120 VAC)  |             |
|  |                  |              | 600 (240 VAC)  |             |
| Repetitive Peak Reverse Voltage (AC Line Nominal) [Vpk]              | $V_{RMS}$        |              | 800 (280 VAC)  |             |
|  |                  |              | 1200 (480 VAC) |             |
|  |                  |              | 1400 (530 VAC) |             |
|  |                  |              | 1600 (600 VAC) |             |
| Maximum Non-Repetitive Surge Current (1/2 Cycle, 60 Hz)              | $I_{TSM}$        | 600          |                | 600         |
| Maximum I <sup>2</sup> T for Fusing (t=8.3ms) [A <sup>2</sup> sec]   | I <sup>2</sup> T | 1500         |                | 1500        |
| Maximum Thermal Resistance, Junction to Ceramic Base per Chip [°C/W] | $R_{JC}$         | 0.9°C/W      |                | 0.9°C/W     |
| Isolation Voltage [Vrms]   | $V_{ISOL}$       |              | 2500           |             |

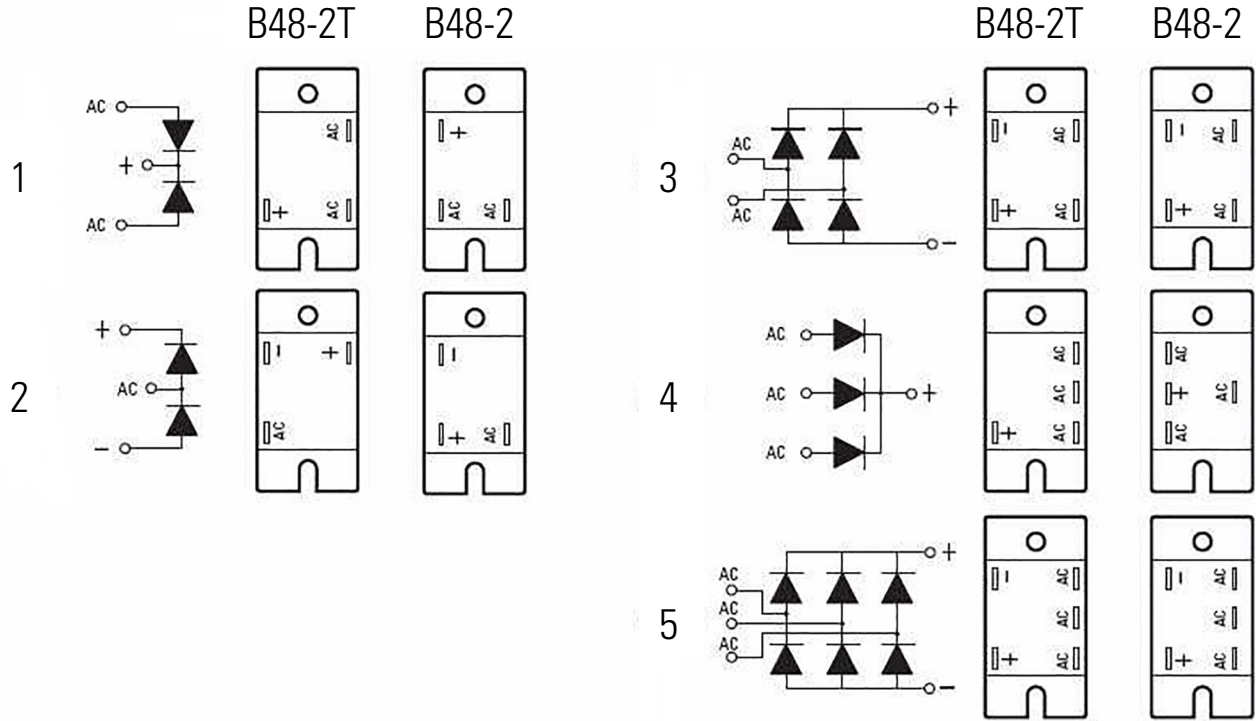


### GENERAL SPECIFICATIONS

| Description      | Parameters     |
|------------------|----------------|
| Weight (typical) | 1.5 oz (42.5g) |



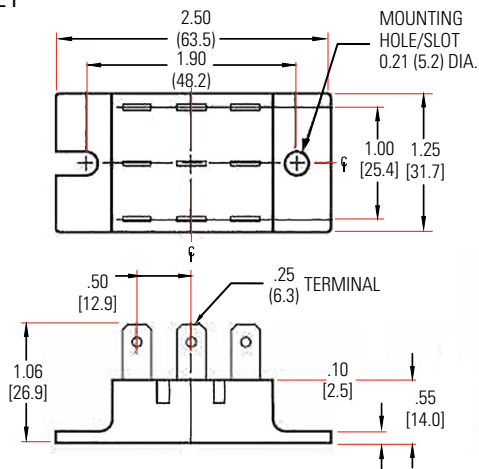
# CIRCUIT DIAGRAMS



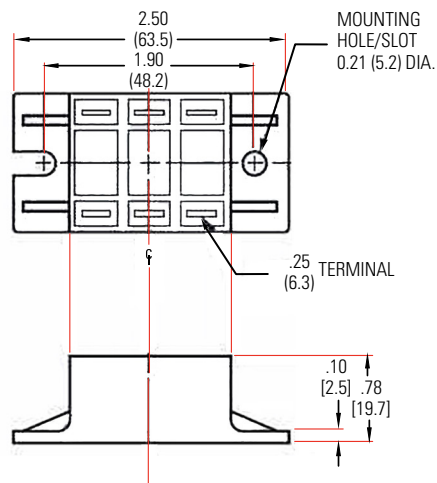
# MECHANICAL SPECIFICATIONS

\*Tolerances: ±0.02 in / 0.5 mm All dimensions are in: inches [millimeters]

### B48-2T

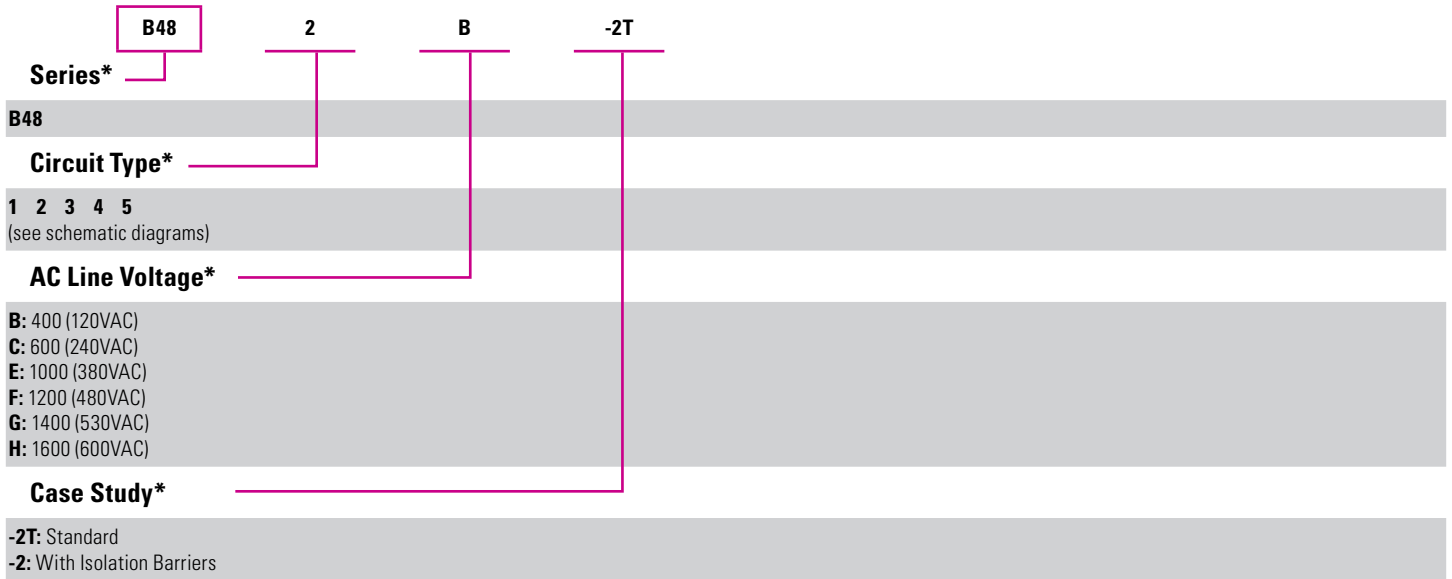


### B48-2





Note: Not all combinations available



\*Required for valid part number

\*\*For options only and not required for valid part number