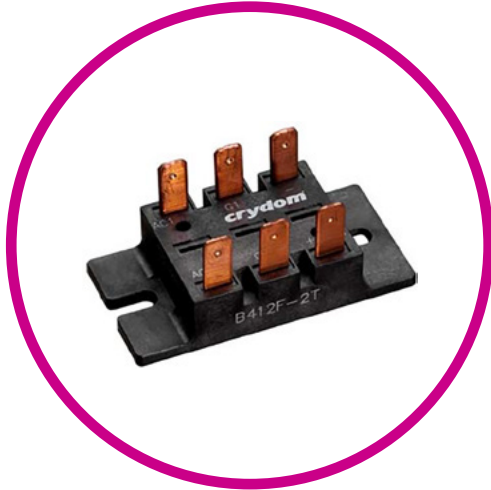




B-2T, B-2 | SERIES

POWER MODULES



Features

- Eight Circuits to Choose from
- For AC or DC Variable Voltage Output Up to 15KW
- UL Recognized E72445



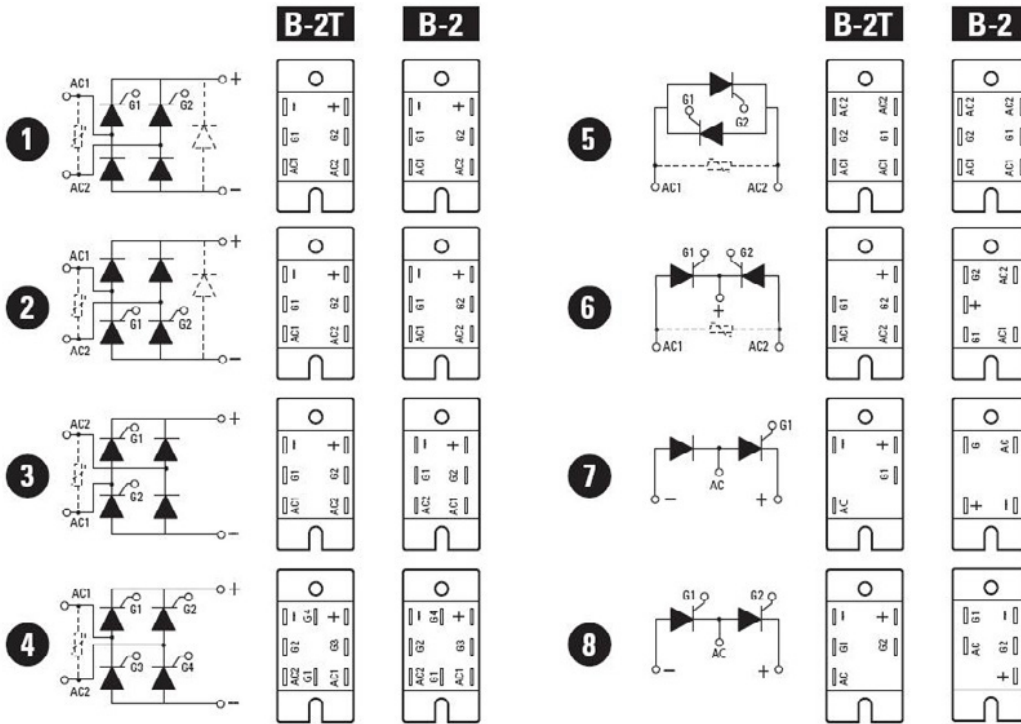
ELECTRICAL SPECIFICATIONS

Description	Symbol	B5	B6
Maximum DC Output Current (Tc = 85°C)	I_D	25A	42.5A
Maximum Voltage Drop @ Amps Peak	V_F	1.65V @ 25A	1.65V @ 42.5A
Operating Junction Temperature Range	T_J	-40 - 125°C	-40 - 125°C
Critical Rate of Rise of On-State Current @ TJ=125°C	di/dt	100A/μs	100A/μs
Critical Rate of Rise of Off-State Voltage [V/s]	dv/dt	500V/μs	500V/μs
AC Line Input Voltage (Repetitive Peak Reverse Voltage)	V_{RMS}	120 (400V _{RMS})	100 (400V _{RMS})
AC Line Input Voltage (Repetitive Peak Reverse Voltage)	V_{RMS}	240 (400V _{RMS})	240 (400V _{RMS})
AC Line Input Voltage (Repetitive Peak Reverse Voltage)	V_{RMS}	280 (400V _{RMS})	280 (400V _{RMS})
AC Line Input Voltage (Repetitive Peak Reverse Voltage)	V_{RMS}	480(400V _{RMS})	480 (400V _{RMS})
Maximum Non-Repetitive Surge Current (1/2 Cycle, 60 Hz)	I_{TSM}	250A	600A
Maximum I ² T for Fusing (t=8.3ms) [A ² sec]	I ² T	260	1500
Minimum Required Gate Current to Trigger @ 25°C	I_{GT}	60mA	80mA
Minimum Required Gate Voltage to Trigger @ 25°C	V_{GT}	2.5V	3.0V
Average Gate Power	$P_{G(AV)}$	0.5W	0.5W
Maximum Peak Reverse Gate Voltage	V_{GM}	5.0V	5.0V
Maximum Thermal Resistance, Junction to Ceramic Base per Chip	R_{JC}	0.9°C/W	0.7°C/W
Isolation Voltage	V_{ISOL}	2500 Vrms	2500 Vrms

GENERAL SPECIFICATIONS

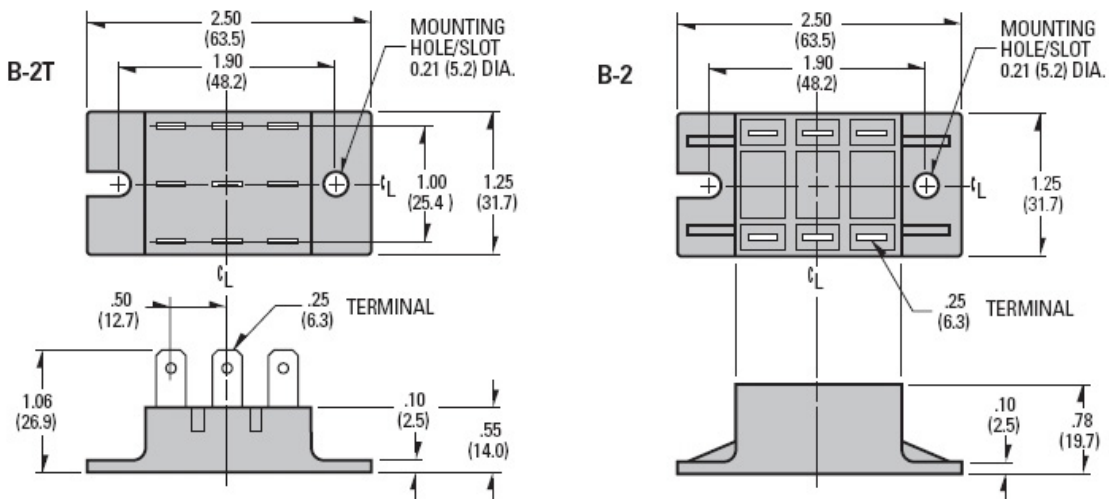
Description	Parameters
Weight (typical)	1.5 oz (42.5g)

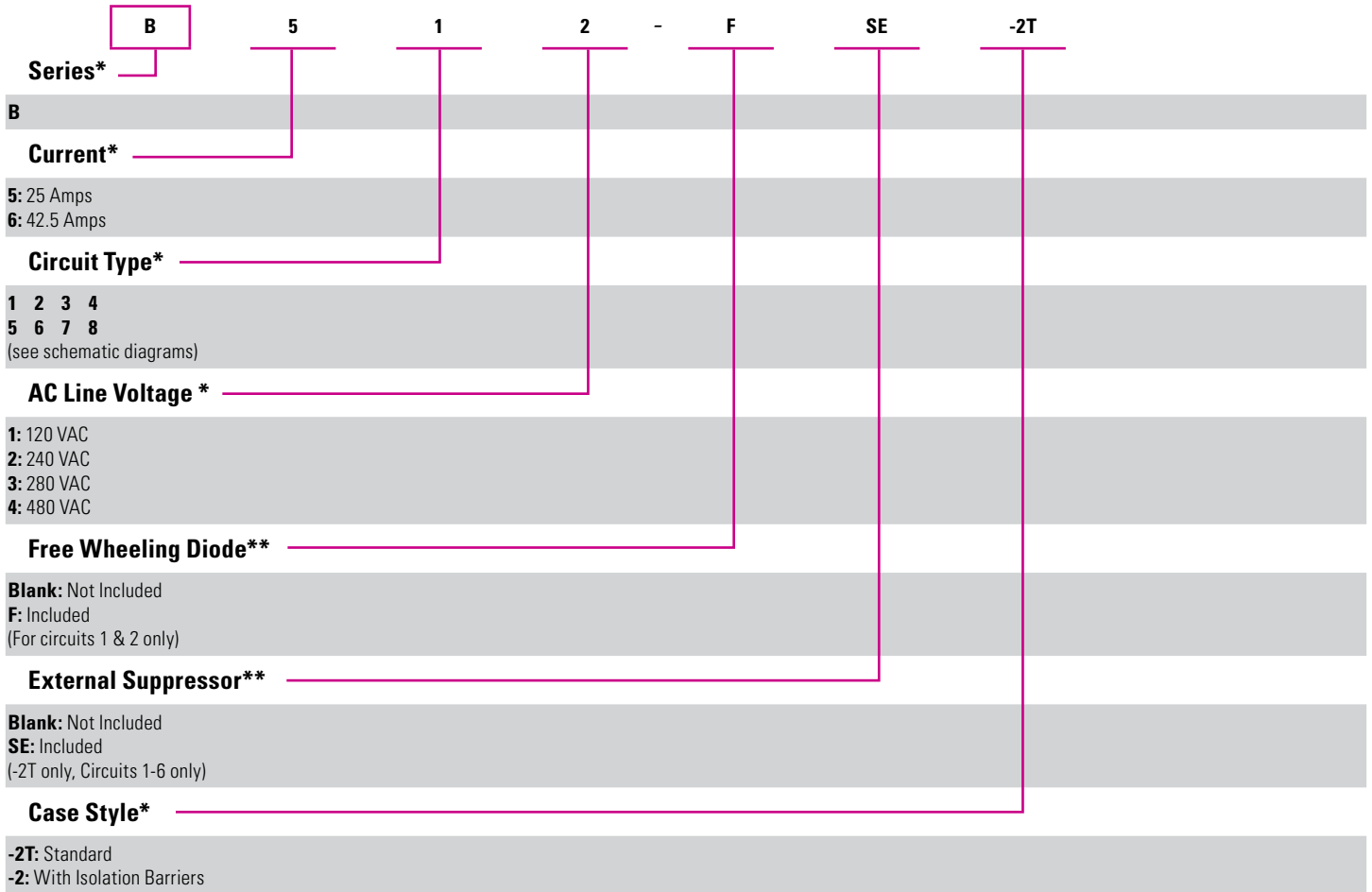
CIRCUIT DIAGRAMS



MECHANICAL SPECIFICATIONS

*Tolerances: ± 0.02 in / 0.5 mm All dimensions are in: inches [millimeters]





*Required for valid part number

**For options only and not required for valid part number