



R12.5/7.5/5

Ferrite core

Series/Type:	B64290
Ordering code:	B64290L0044X072
Date:	2016-06-09
Version:	2

© EPCOS AG 2016. Reproduction, publication and dissemination of this publication, enclosures hereto and the information contained therein without EPCOS' prior express consent is prohibited.

EPCOS AG is a TDK Group Company.

Magnetic characteristics

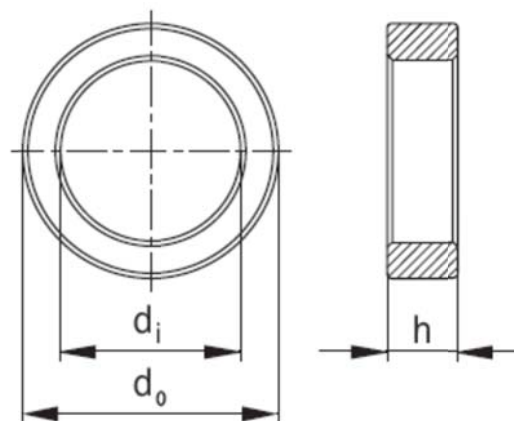
$$\begin{aligned} \Sigma l/A &= 2.46 \text{ mm}^{-1} \\ l_e &= 30.09 \text{ mm} \\ A_e &= 12.23 \text{ mm}^2 \\ V_e &= 368 \text{ mm}^3 \end{aligned}$$

Approx. weight

1.8 g/piece

Dimensions

	<i>uncoated</i>	<i>coated</i>
d_a	$12.50 \pm 0.3 \text{ mm}$	(max. 13.6 mm)
d_i	$7.5 \pm 0.2 \text{ mm}$	(min. 6.5 mm)
h	$5.0 \pm 0.15 \text{ mm}$	(max. 5.95 mm)


Coating Blue epoxy

High-pot test 1500 V min

Delivery mode

Pieces

Packing

Cardboard box (size 190 × 140 × 90 mm)

Material	A_L value ¹⁾ nH	μ_i (approx.)	P_{Vmax} W/core	Ordering code
N72	$1270 \pm 25\%$	2500	< 0.05 (25 kHz, 200 mT, 100°C)	B64290L0044X072
--				

 1) Measurement parameter: 10kHz, $B \leq 1 \text{ mT}$, 1 turns, room temperature.

 A_L value is measured acc. to IEC62044-2.

Cautions and warnings

Mechanical stress and mounting

Ferrite cores have to meet mechanical requirements during assembling and for a growing number of applications. Since ferrites are ceramic materials one has to be aware of the special behavior under mechanical load.

As valid for any ceramic material, ferrite cores are brittle and sensitive to any shock, fast changing or tensile load. Especially high cooling rates under ultrasonic cleaning and high static or cyclic loads can cause cracks or failure of the ferrite cores.

For detailed information see Data Book 2007, chapter "General – Definitions, 8.1".

Effects of core combination on AL value

Stresses in the core affect not only the mechanical but also the magnetic properties. It is apparent that the initial permeability is dependent on the stress state of the core. The higher the stresses are in the core, the lower is the value for the initial permeability. Thus the embedding medium should have the greatest possible elasticity.

For detailed information see Data Book 2007, chapter "General – Definitions, 8.2".

Heating up

Ferrites can run hot during operation at higher flux densities and higher frequencies.

NiZn-materials

The magnetic properties of NiZn-materials can change irreversible in high magnetic fields.

Processing notes

The start of the winding process should be soft. Else the flanges may be destroyed.

To strong winding forces may blast the flanges or squeeze the tube that the cores can no more be mount.

To long soldering time at high temperature (>300 °C) may effect coplanarity or pin arrangement.

Not following the processing notes for soldering of the J-leg terminals may cause solderability problems at the transformer because of pollution with Sn oxide of the tin bath or burned insulation of the wire. For detailed information see Data Book 2007, chapter "Processing notes, 2.2".

The dimensions of the hole arrangement have fixed values and should be understood as a recommendation for drilling the printed circuit board. For dimensioning the pins, the group of holes can only be seen under certain conditions, as they fit into the given hole arrangement. To avoid problems when mounting the transformer, the manufacturing tolerances for positioning the customers' drilling process must be considered by increasing the hole diameter.