



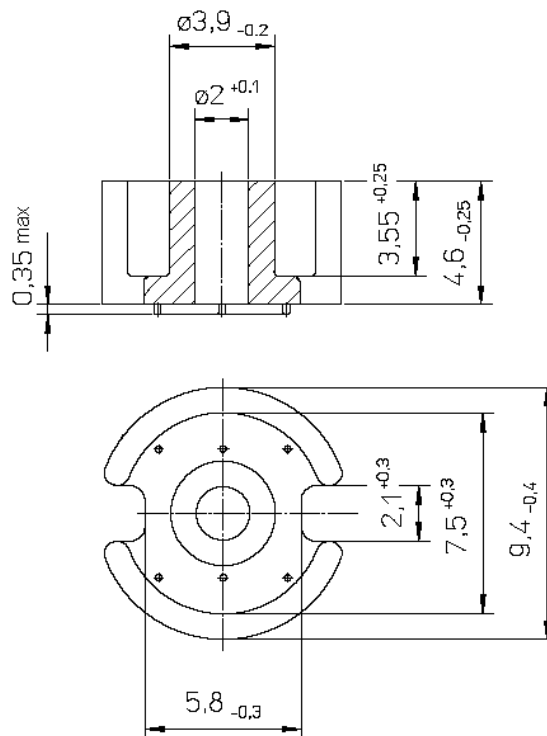
Ferrites

PCH cores
PCH9.4/4.6

Series/Type:	B65935A0000X022
Date:	2011-07-27
Version:	4

Approx. weight

0.8 g/pcs.



Type of delivery

Pieces

Packing

Standard Styrofoam tray (size 200 mm x 300 mm)

Material	A_L value ¹⁾ nH	μ_e	Air gap mm	Ordering code
N22	-	-	-	B65935A0000X022

¹⁾ Measurement Parameter: $f = 10$ kHz / $B = 0.25$ mT / 100 Turns / Room Temperature

AL value is measured acc. to IEC62044-2. An appropriate wringing of cores with polished surface is used to improve reproducibility of the measurement (It is recommended to rub the mating surfaces themselves six times in a circular or elliptic arc that matches the core profile before measuring AL).