

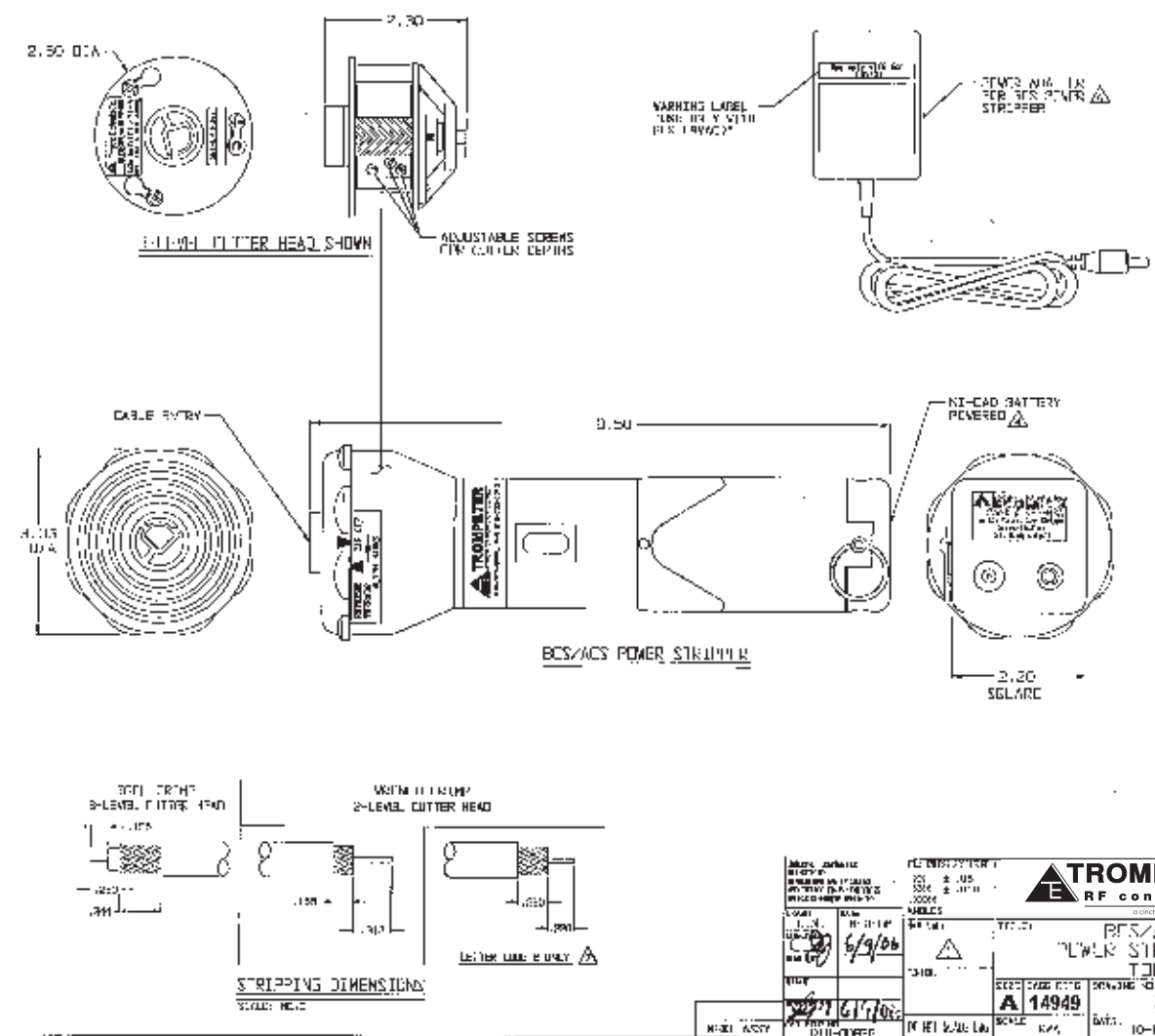
CUTTER LINE	CABLE DIMENSIONS (CONDUCTORS)	CABLE TYPES	REFERENCE CABLE CODE	
			TYPE	GAUGE
A	.070 / .110	RG 174, RG 178, RG 213, RG 179, RG 213, RG 215, RG 216, RG 217, RG 218, RG 219, RG 220, RG 221, RG 222, RG 223, RG 224, RG 225, RG 226, RG 227, RG 228, RG 229, RG 230, RG 231, RG 232, RG 233, RG 234, RG 235, RG 236, RG 237, RG 238, RG 239, RG 240, RG 241, RG 242, RG 243, RG 244, RG 245, RG 246, RG 247, RG 248, RG 249, RG 250, RG 251, RG 252, RG 253, RG 254, RG 255, RG 256, RG 257, RG 258, RG 259, RG 260, RG 261, RG 262, RG 263, RG 264, RG 265, RG 266, RG 267, RG 268, RG 269, RG 270, RG 271, RG 272, RG 273, RG 274, RG 275, RG 276, RG 277, RG 278, RG 279, RG 280, RG 281, RG 282, RG 283, RG 284, RG 285, RG 286, RG 287, RG 288, RG 289, RG 290, RG 291, RG 292, RG 293, RG 294, RG 295, RG 296, RG 297, RG 298, RG 299, RG 300, RG 301, RG 302, RG 303, RG 304, RG 305, RG 306, RG 307, RG 308, RG 309, RG 310, RG 311, RG 312, RG 313, RG 314, RG 315, RG 316, RG 317, RG 318, RG 319, RG 320, RG 321, RG 322, RG 323, RG 324, RG 325, RG 326, RG 327, RG 328, RG 329, RG 330, RG 331, RG 332, RG 333, RG 334, RG 335, RG 336, RG 337, RG 338, RG 339, RG 340, RG 341, RG 342, RG 343, RG 344, RG 345, RG 346, RG 347, RG 348, RG 349, RG 350, RG 351, RG 352, RG 353, RG 354, RG 355, RG 356, RG 357, RG 358, RG 359, RG 360, RG 361, RG 362, RG 363, RG 364, RG 365, RG 366, RG 367, RG 368, RG 369, RG 370, RG 371, RG 372, RG 373, RG 374, RG 375, RG 376, RG 377, RG 378, RG 379, RG 380, RG 381, RG 382, RG 383, RG 384, RG 385, RG 386, RG 387, RG 388, RG 389, RG 390, RG 391, RG 392, RG 393, RG 394, RG 395, RG 396, RG 397, RG 398, RG 399, RG 400, RG 401, RG 402, RG 403, RG 404, RG 405, RG 406, RG 407, RG 408, RG 409, RG 410, RG 411, RG 412, RG 413, RG 414, RG 415, RG 416, RG 417, RG 418, RG 419, RG 420, RG 421, RG 422, RG 423, RG 424, RG 425, RG 426, RG 427, RG 428, RG 429, RG 430, RG 431, RG 432, RG 433, RG 434, RG 435, RG 436, RG 437, RG 438, RG 439, RG 440, RG 441, RG 442, RG 443, RG 444, RG 445, RG 446, RG 447, RG 448, RG 449, RG 450, RG 451, RG 452, RG 453, RG 454, RG 455, RG 456, RG 457, RG 458, RG 459, RG 460, RG 461, RG 462, RG 463, RG 464, RG 465, RG 466, RG 467, RG 468, RG 469, RG 470, RG 471, RG 472, RG 473, RG 474, RG 475, RG 476, RG 477, RG 478, RG 479, RG 480, RG 481, RG 482, RG 483, RG 484, RG 485, RG 486, RG 487, RG 488, RG 489, RG 490, RG 491, RG 492, RG 493, RG 494, RG 495, RG 496, RG 497, RG 498, RG 499, RG 500, RG 501, RG 502, RG 503, RG 504, RG 505, RG 506, RG 507, RG 508, RG 509, RG 510, RG 511, RG 512, RG 513, RG 514, RG 515, RG 516, RG 517, RG 518, RG 519, RG 520, RG 521, RG 522, RG 523, RG 524, RG 525, RG 526, RG 527, RG 528, RG 529, RG 530, RG 531, RG 532, RG 533, RG 534, RG 535, RG 536, RG 537, RG 538, RG 539, RG 540, RG 541, RG 542, RG 543, RG 544, RG 545, RG 546, RG 547, RG 548, RG 549, RG 550, RG 551, RG 552, RG 553, RG 554, RG 555, RG 556, RG 557, RG 558, RG 559, RG 560, RG 561, RG 562, RG 563, RG 564, RG 565, RG 566, RG 567, RG 568, RG 569, RG 570, RG 571, RG 572, RG 573, RG 574, RG 575, RG 576, RG 577, RG 578, RG 579, RG 580, RG 581, RG 582, RG 583, RG 584, RG 585, RG 586, RG 587, RG 588, RG 589, RG 590, RG 591, RG 592, RG 593, RG 594, RG 595, RG 596, RG 597, RG 598, RG 599, RG 600, RG 601, RG 602, RG 603, RG 604, RG 605, RG 606, RG 607, RG 608, RG 609, RG 610, RG 611, RG 612, RG 613, RG 614, RG 615, RG 616, RG 617, RG 618, RG 619, RG 620, RG 621, RG 622, RG 623, RG 624, RG 625, RG 626, RG 627, RG 628, RG 629, RG 630, RG 631, RG 632, RG 633, RG 634, RG 635, RG 636, RG 637, RG 638, RG 639, RG 640, RG 641, RG 642, RG 643, RG 644, RG 645, RG 646, RG 647, RG 648, RG 649, RG 650, RG 651, RG 652, RG 653, RG 654, RG 655, RG 656, RG 657, RG 658, RG 659, RG 660, RG 661, RG 662, RG 663, RG 664, RG 665, RG 666, RG 667, RG 668, RG 669, RG 670, RG 671, RG 672, RG 673, RG 674, RG 675, RG 676, RG 677, RG 678, RG 679, RG 680, RG 681, RG 682, RG 683, RG 684, RG 685, RG 686, RG 687, RG 688, RG 689, RG 690, RG 691, RG 692, RG 693, RG 694, RG 695, RG 696, RG 697, RG 698, RG 699, RG 700, RG 701, RG 702, RG 703, RG 704, RG 705, RG 706, RG 707, RG 708, RG 709, RG 710, RG 711, RG 712, RG 713, RG 714, RG 715, RG 716, RG 717, RG 718, RG 719, RG 720, RG 721, RG 722, RG 723, RG 724, RG 725, RG 726, RG 727, RG 728, RG 729, RG 730, RG 731, RG 732, RG 733, RG 734, RG 735, RG 736, RG 737, RG 738, RG 739, RG 740, RG 741, RG 742, RG 743, RG 744, RG 745, RG 746, RG 747, RG 748, RG 749, RG 750, RG 751, RG 752, RG 753, RG 754, RG 755, RG 756, RG 757, RG 758, RG 759, RG 760, RG 761, RG 762, RG 763, RG 764, RG 765, RG 766, RG 767, RG 768, RG 769, RG 770, RG 771, RG 772, RG 773, RG 774, RG 775, RG 776, RG 777, RG 778, RG 779, RG 780, RG 781, RG 782, RG 783, RG 784, RG 785, RG 786, RG 787, RG 788, RG 789, RG 790, RG 791, RG 792, RG 793, RG 794, RG 795, RG 796, RG 797, RG 798, RG 799, RG 800, RG 801, RG 802, RG 803, RG 804, RG 805, RG 806, RG 807, RG 808, RG 809, RG 810, RG 811, RG 812, RG 813, RG 814, RG 815, RG 816, RG 817, RG 818, RG 819, RG 820, RG 821, RG 822, RG 823, RG 824, RG 825, RG 826, RG 827, RG 828, RG 829, RG 830, RG 831, RG 832, RG 833, RG 834, RG 835, RG 836, RG 837, RG 838, RG 839, RG 840, RG 841, RG 842, RG 843, RG 844, RG 845, RG 846, RG 847, RG 848, RG 849, RG 850, RG 851, RG 852, RG 853, RG 854, RG 855, RG 856, RG 857, RG 858, RG 859, RG 860, RG 861, RG 862, RG 863, RG 864, RG 865, RG 866, RG 867, RG 868, RG 869, RG 870, RG 871, RG 872, RG 873, RG 874, RG 875, RG 876, RG 877, RG 878, RG 879, RG 880, RG 881, RG 882, RG 883, RG 884, RG 885, RG 886, RG 887, RG 888, RG 889, RG 890, RG 891, RG 892, RG 893, RG 894, RG 895, RG 896, RG 897, RG 898, RG 899, RG 900, RG 901, RG 902, RG 903, RG 904, RG 905, RG 906, RG 907, RG 908, RG 909, RG 910, RG 911, RG 912, RG 913, RG 914, RG 915, RG 916, RG 917, RG 918, RG 919, RG 920, RG 921, RG 922, RG 923, RG 924, RG 925, RG 926, RG 927, RG 928, RG 929, RG 930, RG 931, RG 932, RG 933, RG 934, RG 935, RG 936, RG 937, RG 938, RG 939, RG 940, RG 941, RG 942, RG 943, RG 944, RG 945, RG 946, RG 947, RG 948, RG 949, RG 950, RG 951, RG 952, RG 953, RG 954, RG 955, RG 956, RG 957, RG 958, RG 959, RG 960, RG 961, RG 962, RG 963, RG 964, RG 965, RG 966, RG 967, RG 968, RG 969, RG 970, RG 971, RG 972, RG 973, RG 974, RG 975, RG 976, RG 977, RG 978, RG 979, RG 980, RG 981, RG 982, RG 983, RG 984, RG 985, RG 986, RG 987, RG 988, RG 989, RG 990, RG 991, RG 992, RG 993, RG 994, RG 995, RG 996, RG 997, RG 998, RG 999, RG 1000		

TYPE	WIRE & STRIP	CUTTER	REF. NO.
AC	AC POWER	AC POWER	AC POWER
BCS	AC & DC CHARGER	AC & DC CHARGER	AC & DC CHARGER
BES	AC & DC CHARGER	AC & DC CHARGER	AC & DC CHARGER
BES-EU	AC & DC CHARGER	AC & DC CHARGER	AC & DC CHARGER
BES-UK	AC & DC CHARGER	AC & DC CHARGER	AC & DC CHARGER
ACS	AC POWER	AC POWER	AC POWER
ACS-EU	AC POWER	AC POWER	AC POWER
ACS-UK	AC POWER	AC POWER	AC POWER

REVISIONS		010-0093	313
REV	DESCRIPTION		
1	REVISED PER ECU 1314		

RED INDICATES ORIGINAL

- ⚠ SEE SPECIAL STRIPPING DIMENSIONS
6. EACH ITEM MAY BE SOLD SEPARATELY
7. EACH KIT IS SUPPLIED WITH A 12.5 X 0.5 X 0.4 CARRYING CASE AND USER INSTRUCTIONS
- ⚠ INDIVIDUAL BATTERY OR OPTIONAL POWER SOURCE MAY BE ORDERED AS SUPPLY FOR TABLE 2
8. EXAMPLE OF LUMBER DIM. NO.
- 113 / C24T 3 A
- 113 - CABLE SIGNAL LETTER CODE (SEE TABLE 1)
 - 3 - 3-LEVEL FOR TOOL CRIMP
 - 2 - 2-LEVEL FOR WIRE CRIMP
- CUTTER HEAD BASIC PART NO.
- POWER STRIPPER KIT:
- BLS - NI-CAD BATTERY WITH AC & DC CHARGER FOR NORTH & SOUTH AMERICA
 - BES - NI-CAD BATTERY WITH AC & DC CHARGER AND RAPID CHARGER FOR NORTH & SOUTH AMERICA
 - BES-EU - NI-CAD BATTERY WITH AC & DC CHARGER FOR EUROPE
 - BES-UK - NI-CAD BATTERY WITH AC & DC CHARGER FOR UNITED KINGDOM
 - ACS - AC POWER CONVERTER FOR NORTH & SOUTH AMERICA
 - ACS-EU - AC POWER CONVERTER FOR EUROPE
 - ACS-UK - AC POWER CONVERTER FOR UNITED KINGDOM
2. PORTABLE HAND HELD, POWERED CORD FREE STRIPPER KIT WITH AND WITHOUT CUTTER HEAD(S), WITH OPTIONAL POWER SOURCES, SEE TABLE 2
1. ALL DIMENSIONS IN INCHES



TROMPETER RF connectivity <small>a torch connectivity solutions brand</small>	
MODEL: ACS7 DATE: 6/17/02 BY: [Signature]	REFERENCE NO.: A 14949 SCALE: 1:1 DATE: 10-1E-93