



Power Factor Correction Boundary Current Mode Method BD7695FJ Reference Board

User's Guide

<High Voltage Safety Precautions>

◇ Read all safety precautions before use

Please note that this document covers only the **BD7695FJ** evaluation board (BD7695FJ-EVK-001) and its functions. For additional information, please refer to the datasheet.

To ensure safe operation, please carefully read all precautions before handling the evaluation board



Depending on the configuration of the board and voltages used,

Potentially lethal voltages may be generated.

Therefore, please make sure to read and observe all safety precautions described in the red box below.

Before Use

- [1] Verify that the parts/components are not damaged or missing (i.e. due to the drops).
- [2] Check that there are no conductive foreign objects on the board.
- [3] Be careful when performing soldering on the module and/or evaluation board to ensure that solder splash does not occur.
- [4] Check that there is no condensation or water droplets on the circuit board.

During Use

- [5] Be careful to not allow conductive objects to come into contact with the board.
- [6] **Brief accidental contact or even bringing your hand close to the board may result in discharge and lead to severe injury or death.**

Therefore, DO NOT touch the board with your bare hands or bring them too close to the board.

In addition, as mentioned above please exercise extreme caution when using conductive tools such as tweezers and screwdrivers.

- [7] If used under conditions beyond its rated voltage, it may cause defects such as short-circuit or, depending on the circumstances, explosion or other permanent damages.
- [8] Be sure to wear insulated gloves when handling is required during operation.

After Use

- [9] The ROHM Evaluation Board contains the circuits which store the high voltage. Since it stores the charges even after the connected power circuits are cut, please discharge the electricity after using it, and please deal with it after confirming such electric discharge.
- [10] Protect against electric shocks by wearing insulated gloves when handling.

This evaluation board is intended for use only in research and development facilities and should be handled **only by qualified personnel familiar with all safety and operating procedures.**

We recommend carrying out operation in a safe environment that includes the use of high voltage signage at all entrances, safety interlocks, and protective glasses.

PFC (power Factor Correction) IC

PFC BCM (Boundary Current Mode) Method Output 200 W 400 V BD7695FJ Reference Board

BD7695FJ-EVK-001

The BD7695FJ-EVK-001 reference board outputs 400 V voltage from the input of 90 Vac to 264 Vac. The output current supplies up to 0.5 A. The BD7695FJ which is BCM method PFC controller IC is used.

The BD7695FJ supplies the system which is suitable for all of products that requires PFC.

BCM is used for PFC part, and Zero Current Detection reduces both switching loss and noise.

THD is less than 8 %.

Electronics Characteristics

Not guarantee the characteristics, is representative value.

Unless otherwise noted; $V_{IN} = 230 \text{ Vac}$, $I_{OUT} = 0.5 \text{ A}$, $T_a = 25 \text{ }^\circ\text{C}$

Parameter		Min	Typ	Max	Units	Conditions
Input Voltage Range	V_{IN}	90	230	264	Vac	
Input Frequency	f_{LINE}	47	50/60	63	Hz	
Output Voltage	V_{OUT}	376	395	415	V	
Maximam Output Power	P_{OUT}	-	-	200	W	$I_{OUT} = 0.5 \text{ A}$
Output Current Range ^(Note 1)	I_{OUT}	0.0	-	0.5	A	
Total Harmonic Distortion(THD)	THD		4.8	8	%	
PF(Power Factor)	PF	0.93	0.99	-	-	AC230 V $I_{OUT} = 0.5 \text{ A}$
Efficiency	η	92	97.4.	-	%	
Output Ripple Voltage ^(Note 2)	V_R	-	10.8	20	Vpp	AC90 V $I_{OUT} = 0.5 \text{ A}$
Hold Time	T_{HOLD}	20			ms	$V_{OUT} \text{ min } 280 \text{ V}$
Operating Temperature Range	T_{OP}	-10	+25	+65	$^\circ\text{C}$	

(Note 1) Cool the component surface temperature with FAN, etc., if necessary, and the load application time so that the temperature does not exceed 105 $^\circ\text{C}$.

(Note 2) Not include spike noise

Operation Procedure

1. Operation Equipment

1. AC power supply 90 to 264 Vac, over 200 W
2. Electronic load capacity 0.5 A which supports input voltage 500 V
3. Multi meter
4. Power meter

2. Connect Method

1. AC power supply presetting range 90 to 264 Vac, Output switch is OFF.
2. Electronic load setting under 0.5 A, Load switch is OFF.
3. The reference board connects to measuring equipments and power supplies as in Figure. 1.
4. AC power supply switch is ON.
5. Check that output voltage is 400 V.
6. Electronic load switch is ON.
7. Operate with enough caution against electric shock because of non-isolated output voltage 400 V.

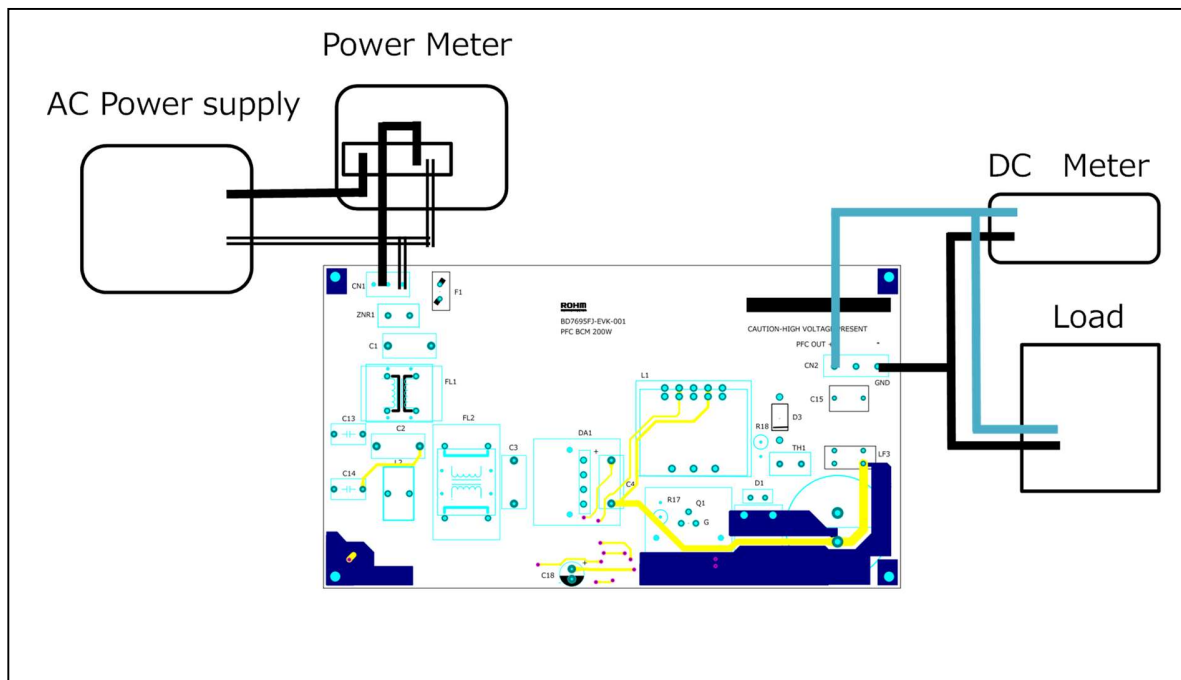


Figure 1. Connection Circuit

Derating

Maximum output power P_o of the reference board is 200 W. The derating curve is shown in Figure. 2.

If ambient temperature is over 40 °C, Consider the load current time and air-cool with FAN so that the component surface temperature does not exceed 105 °C.

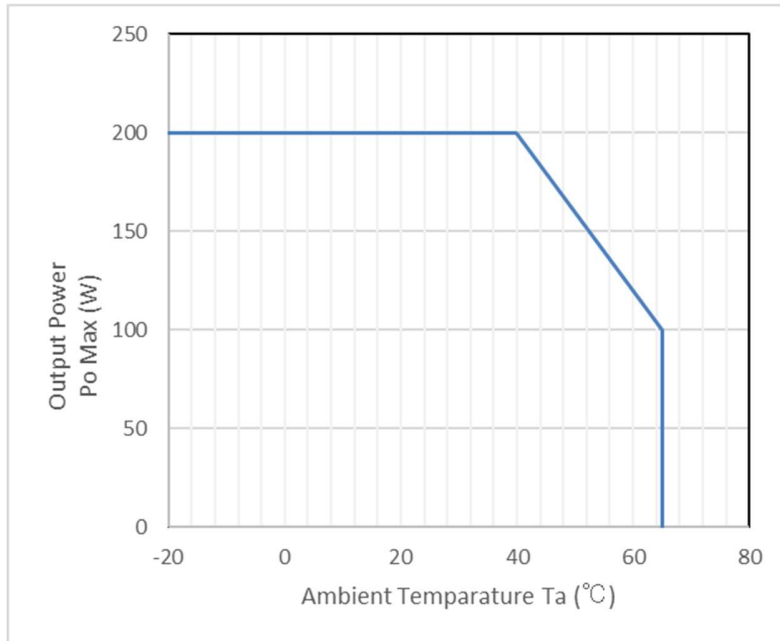


Figure 2. Temperature derating curve

Schematics

$V_{IN} = 90 \text{ to } 264 \text{ Vac}$, $V_{OUT} = 400 \text{ V}$

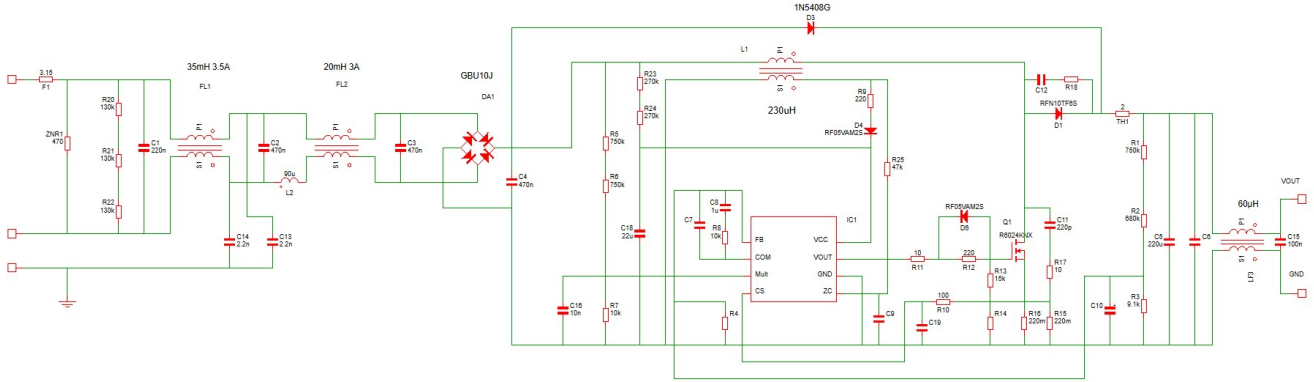


Figure 3. BD7695FJ-EVK-001 Schematics

Bill of Materials

Item	Specifications	Parts name	Manufacture
C1	220 nF, 310 Vac	890334025027CS	WURTH ELECTRONIK
C2,C3,C4	470 nF, 310 Vac	890334025039CS	WURTH ELECTRONIK
C5	220 μ F, 450 V	LGN2W221MELA40	NICHICON
C6,C7,C9,C10,C12,C19	-	NON MOUNTED	
C8	1 μ ,25V	TMK107B7105KA-T	Taiyou yuden
C11	220 pF, 2k V	885342209008_	WURTH ELECTRONIK
C13,C14	2200 pF, 300 V	DE1E3RA222MJ4BP01F	MURATA
C15	0.1 μ F, 630 Vdc	890324023023CS	WURTH ELECTRONIK
C16	0.01 μ F, 50 V	885012206089	WURTH ELECTRONIK
C18	22 μ F, 50 V	860080672001	WURTH ELECTRONIK
CN1	3pin	B03P-NV(LF)(SN)	JST
CN2	3pin	691137910003	WURTH ELECTRONIK
D1	FRD, 10 A, 600 V	RFNL10TJ6S	ROHM
D3	3 A, 1k V	1N5408G	ROHM
D4,D6	FRD, 0.5 A, 200 V	RF05VAM2S	ROHM
DA1	600 V, 10 A	GBU10J-U1	WILLAS Corp
F1	310 Vac, 3.15 A	36913150000	
FL1	35 mH / 3.5 A	7748040435	WURTH ELECTRONIK
FL2	20 mH/ 3 A	744825320	WURTH ELECTRONIK
HEAT1,HEAT3	11.5 k/W	30PBE30-30B	MARUSAN ELECTRONICS
HEAT2	22.9 k/W	IC-1625-STL	SANKYO THRMOTECH
IC1		BD7695FJ	ROHM
L1	230 μ H 7.4A	PFC3819QM-231K07D-50	TDK
L2	90 μ H	7447013	WURTH ELECTRONIK
LF3	60 μ H	LF1246Y	ALPHA TRANS
Q1	600 V, 24 A	R6024KNX	ROHM
R1,R5,R6	750 k Ω	KTR18EZPF7503	ROHM
R2	680 k Ω	KTR18EZPF6803	ROHM
R3	9.1 k Ω	MCR03EZPFX9101	ROHM
R7,R8	10 k Ω	MCR03EZPJ103	ROHM
R9,R12	220 Ω	ESR18EZPJ221	ROHM
R10	100 Ω	ESR18EZPJ101	ROHM
R11	10 Ω	ESR18EZPJ100	ROHM
R13	15 k Ω	ESR18EZPJ153	ROHM
R15,R16	220 m Ω	LTR50EZPZFLR220	ROHM
R17	10 Ω /2 W	PCF2C100K	KOA
R20,R21,R22	130 k Ω	ESR18EZPJ134	ROHM
R23,R24	270 k Ω	ESR18EZPJ274	ROHM
R25	47 k Ω	ESR18EZPJ473	ROHM
SCREW1,SCREW2,SCREW3		P-4 3MC 3x8	YAWATANEJI
TH1	2 Ω , 4 A	2D2-13LD	SEMITEC
ZNR1,R4,R14,R18	-	NON MOUNTED	
PCB		PCB0237B	

Materials may be changed without notifying.

PCB

Size: 200 mm x 112 mm

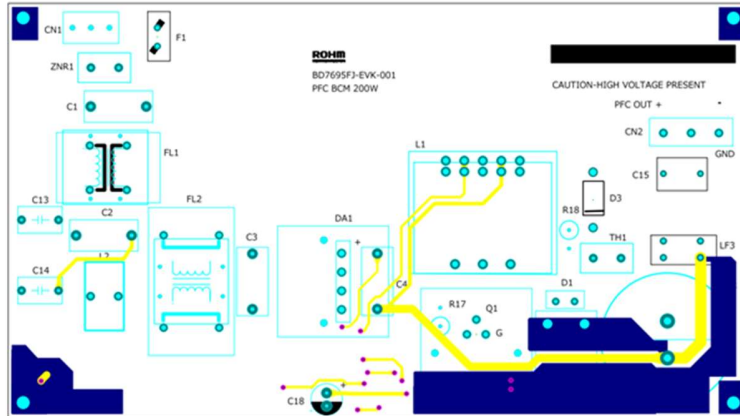


Figure 4. Top Silkscreen (Top view)

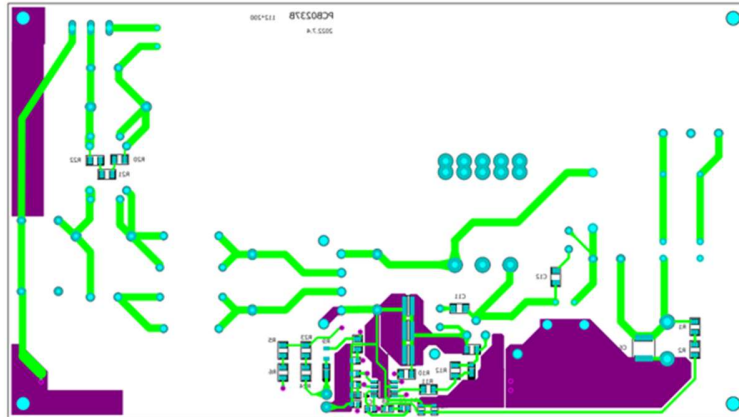


Figure 5. Bottom Layout (Top view)

BD7695FJ Overview

Feature

- Boundary Conduction Mode PFC
- Low THD Circuit Incorporation
- VCC Under Voltage Lock Out Function
- ZCD by Auxiliary Winding
- Static OVP by The VS Pin
- Error Amplifier Input Short Protection
- Stable MOSFET Gate Driving
- Soft Start Function

Key Specification

- Operating Power Supply Voltage Range 12.0 V to 38.0 V
- Circuit Current 0.58 mA (Typ.)
- Operating Temperature Range -40 °C to +105 °C

Package

W(Typ) x D(Typ) x H(Max)

SOP-J8 4.90 mm x 6.00 mm x 1.65 mm
Pitch 1.27 mm

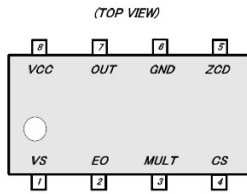


Figure 6. Block Diagram

Table 1. BD7695FJ PIN description

Pin No.	Pin Name	I/O	Function	ESD Diode	
				VCC	GND
1	VS	I	Feedback input pin	-	○
2	EO	O	Error amp output pin	-	○
3	MULT	I	Multiplier input pin	-	○
4	CS	I	Over current protection pin	-	○
5	ZCD	I	Zero current detection pin	-	○
6	GND	-	GND pin	○	-
7	OUT	O	External MOSFET driver pin	-	○
8	VCC	I	Power supply pin	-	○

Performance Data

Load Regulation

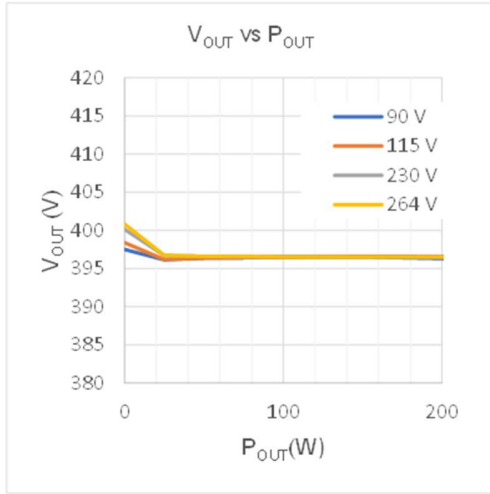


Figure 7. Load Regulation (V_{OUT} vs P_{OUT})

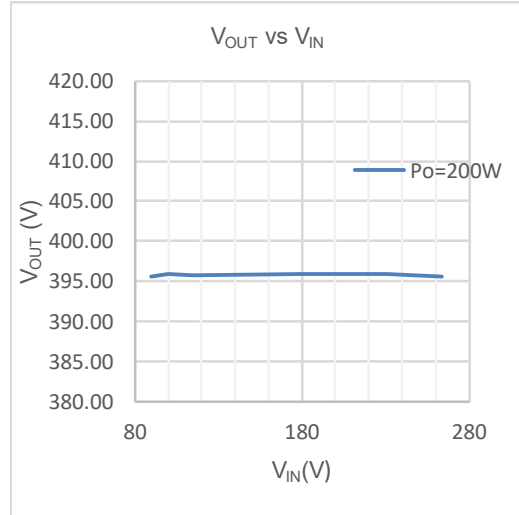


Figure 8. Line Regulation (V_{OUT} vs V_{IN})

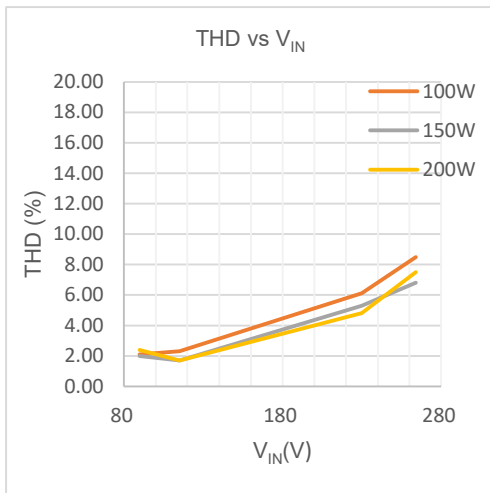


Figure 9. Total Harmonic Distortion (THD vs V_{IN})

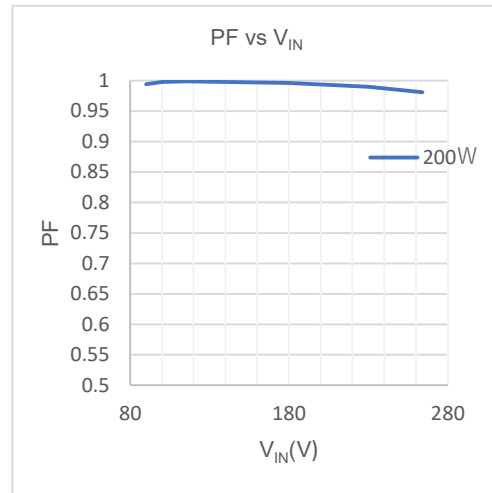


Figure 10. Power Factor (PF vs V_{IN})

Performance data – Continued

Efficiency

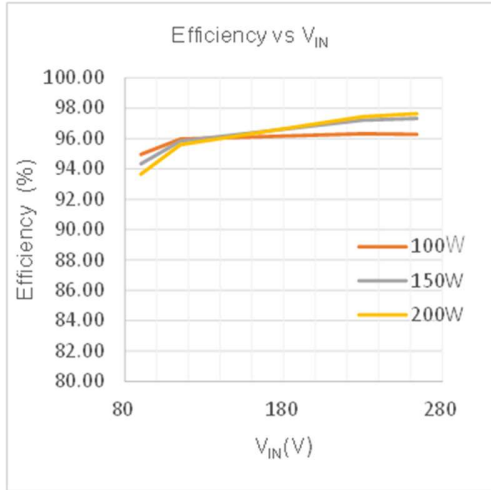


Figure 11. Efficiency (Efficiency vs VIN)

Harmonic Current

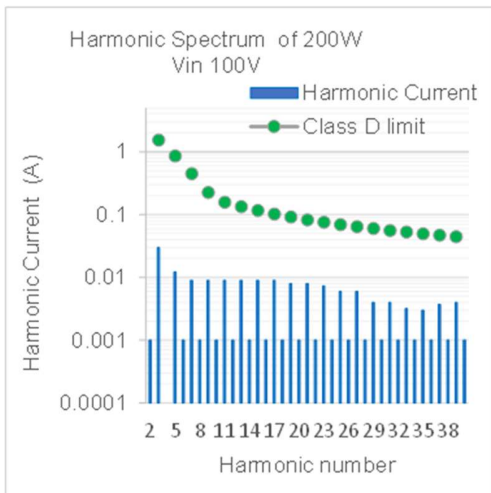


Figure 12. Harmonic Current V_{IN} = 100 V_{ac}

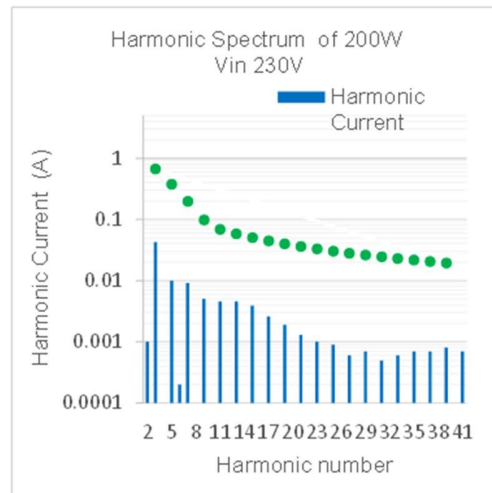


Figure 13. Harmonic Current V_{IN} = 230 V_{ac}

Performance Data – Continued

Input Current

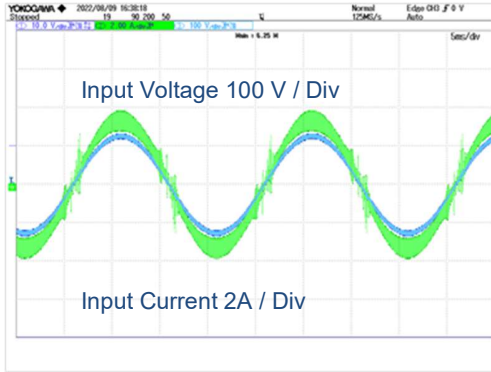


Figure 14. Input Current $V_{IN} = 115 V_{ac}$, $I_{OUT} = 0.5 A$

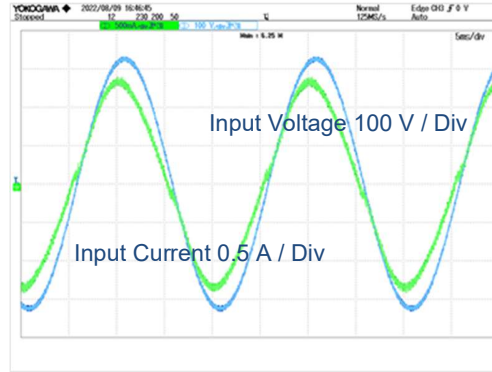


Figure 15. Input Current $V_{IN} = 230 V_{ac}$, $I_{OUT} = 0.5 A$

$V_{DS, Id}$ WaveForm $V_{IN} = 90 V_{ac}$ $I_o = 0.5 A$

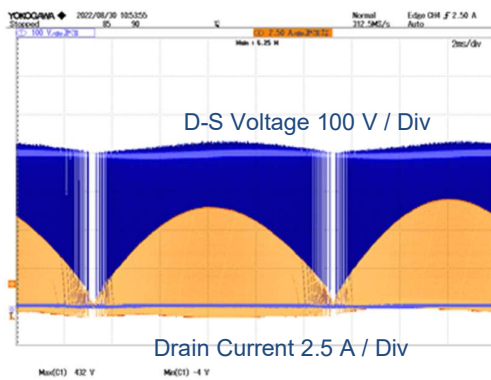


Figure 16. $V_{DS, Id}$ $V_{IN} = 90 V_{ac}$ $I_{OUT} = 0.5 A$

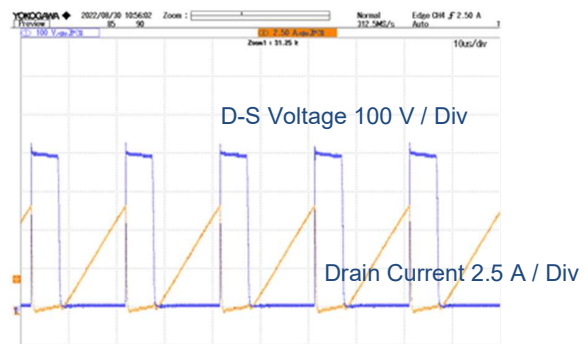


Figure 17. $V_{DS, Id}$ ZOOM

Performance Data – Continued

Hold time

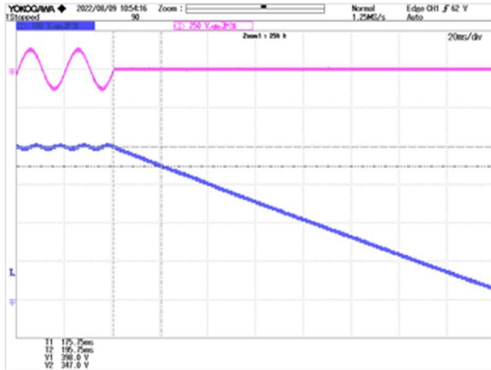


Figure 18. Hold time

Start Up $I_o = 0.5 A$

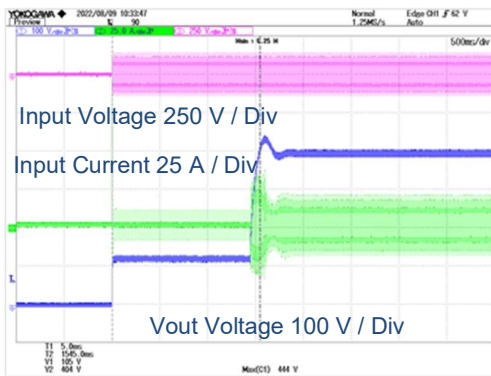


Figure 19. Start Up $V_{IN} = 90 V_{ac}$

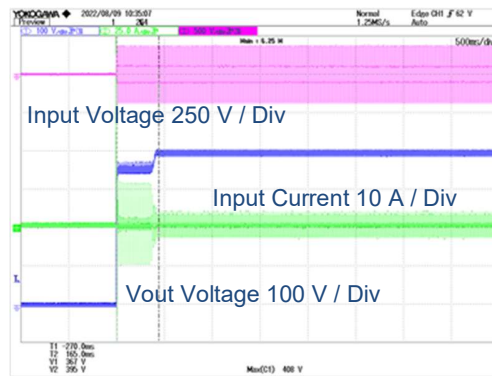


Figure 20. Start Up $V_{IN} = 264 V_{ac}$

Performance Data - Continued

Load Transient $I_o = 0.0\text{ A} \leftrightarrow 0.5\text{ A}$

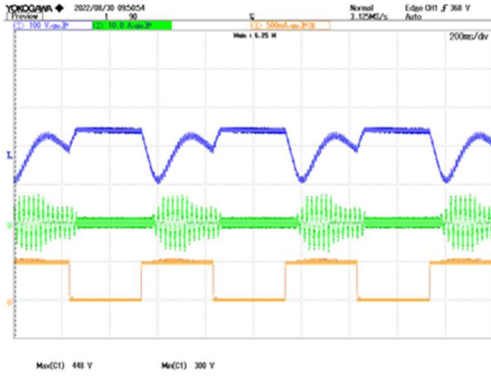


Figure 21. Load Transient $V_{IN} = 90\text{ V}_{ac}$

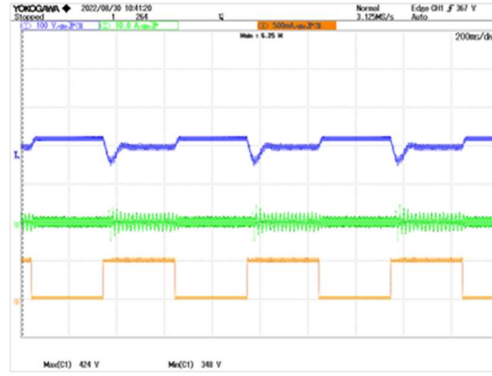


Figure 22. Load Transient $V_{IN} = 264\text{ V}_{ac}$

Output ripple $I_o = 0.5\text{ A}$

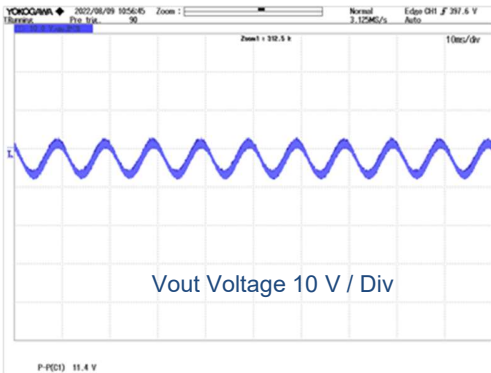


Figure 23. Output ripple $V_{IN} = 90\text{ V}_{ac}$

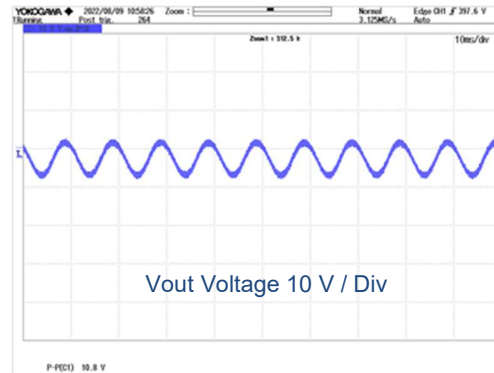


Figure 24. Output ripple $V_{IN} = 264\text{ V}_{ac}$

Performance Data - Continued

EMI

Conducted Emission: CISPR22 Pub 22 Class B

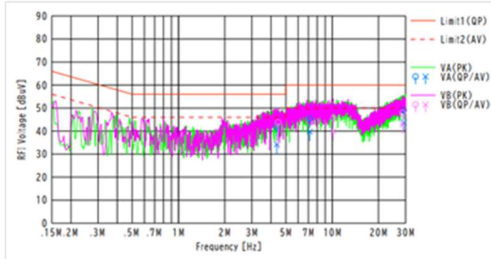


Figure 25. $V_{IN} = 100 V_{ac} / 60 \text{ Hz}$, $I_{OUT} = 0.5 \text{ A}$

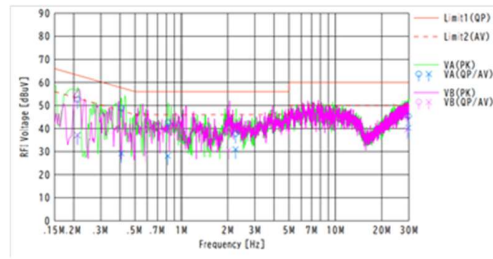


Figure 26. $V_{IN} = 230 V_{ac} / 60 \text{ Hz}$, $I_{OUT} = 0.5 \text{ A}$

Revision History

Date	Rev.	Changes
4.October.2022	001	New Release