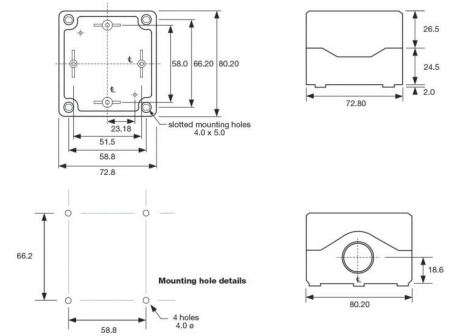


BEA01S - ABS



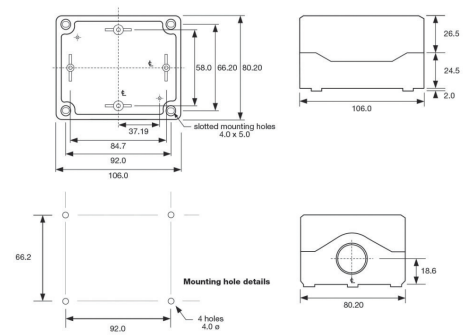
- Dimensions: 80 x 72 x 53mm
- Slotted mounting holes, 66.2 x 58.8mm
- 2 x M20 threaded knock-outs suitable for use with M20 glands
- Option for single pre-drilled 22mm Ø hole in lid
- PCB mounting posts suitable for M3 self tapping screws
- Grey or black base
- Transparent, black, grey or yellow lid



BEA02S - ABS



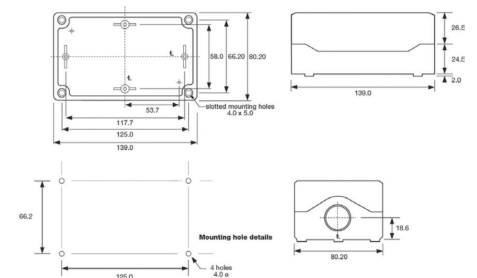
- Dimensions: 80 x 106 x 53mm
- Slotted mounting holes, 66.2 x 92.0mm
- 2 x M20 threaded knock-outs suitable for use with M20 glands
- Option for two pre-drilled 22mm Ø holes in lid
- PCB mounting posts suitable for M3 self tapping screws
- Grey or black base
- Transparent, black, grey or yellow lid

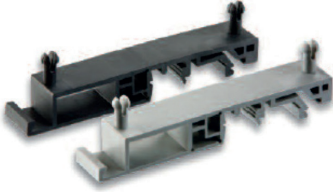


BEA03S - ABS



- Dimensions: 80 x 139 x 53mm
- Slotted mounting holes, 66.2 x 125mm
- 2 x M20 threaded knock-outs suitable for use with M20 glands
- Option for three pre-drilled 22mm Ø holes in lid
- PCB mounting posts suitable for M3 self tapping screws
- Grey or black base
- Transparent, black, grey or yellow lid



Combifoot rail mounting
accessory

BE123456 BE123457

- Easy snap fixing to enclosure BEA01S, BEA02S & BEA03S
- Suitable for TS32 & TS35 rails
- Available in black or grey
- Part numbers:
Grey - BE123456
Black - BE123457

Wall mounting accessory



BE123458 BE123459

- Easy snap fixing to enclosure BEA01S, BEA02S & BEA03S
- For easy access wall mounting
- Available in black or grey
- Part numbers:
Grey - BE123458
Black - BE123459

Cable glands



BE123460 BE123461

- For use in pre-moulded knock-outs
- M20 thread
- Cable range 6-12mm
Supplied with gasket
- Available in black or grey
- Part numbers:
Grey - BE123460
Black - BE123461