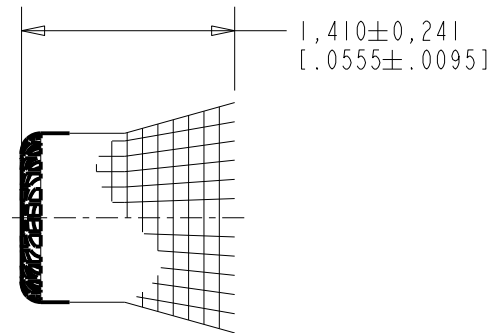
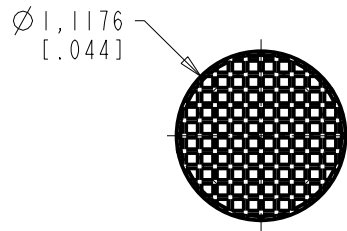


BF-3163-000

SHT 1.1

NOTE:

1. ACOUSTIC RESISTANCE IS MEASURED WITH ELEMENT INSERTED IN HOLE 1,14 [.045] DIA X 2,03 [.080] LONG.
2. ACOUSTICAL RESISTANCE TO BE $4700 \pm 20\% \Omega$ COLOR YELLOW.
3. ACOUSTIC DAMPING ELEMENTS ARE PACKED 100 PIECES PER BOX.



DIMENSIONS IN MILLIMETERS [INCHES]

KNOWLES ELECTRONICS
ITASCA, ILLINOIS U.S.A.

Revision	C.O. #	Implementation Date	RELEASE LEVEL	REVISION
C	MI0105938	3-18-15	Active	C
B	MI0100342	4-6-05		
SCALE: 20:1			DR. BY	DATE
DO NOT SCALE DRAWING			BCA	9-27-95
			CK. BY	DATE
TITLE: BF DAMPER		BF-3163-000	SJM	9-27-95
OUTLINE DRAWING		SHT 1.1	APP. BY	DATE
			DRK	10-6-95