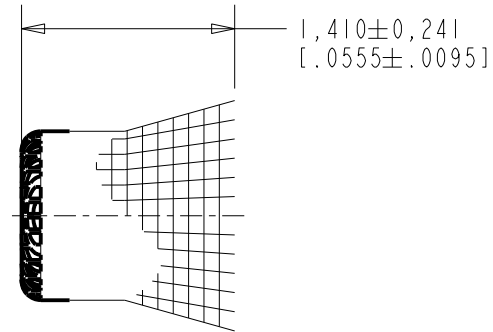
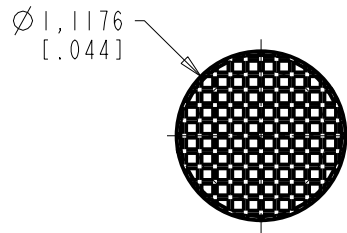


BF-3163-000
SHT 1.1

- NOTE:
1. ACOUSTIC RESISTANCE IS MEASURED WITH ELEMENT INSERTED IN HOLE 1,14 [.045] DIA X 2,03 [.080] LONG.
 2. ACOUSTICAL RESISTANCE TO BE $4700 \pm 20\% \Omega$ COLOR YELLOW.
 3. ACOUSTIC DAMPING ELEMENTS ARE PACKED 100 PIECES PER BOX.



DIMENSIONS IN MILLIMETERS [INCHES]

KNOWLES ELECTRONICS
ITASCA, ILLINOIS U.S.A.

Revision	C.O. #	Implementation Date	RELEASE LEVEL	REVISION
C	MI0105938	3-18-15	Active	C
B	MI0100342	4-6-05		
SCALE: 20:1			DR. BY	DATE
DO NOT SCALE DRAWING			BCA	9-27-95
TITLE: BF DAMPER			CK. BY	DATE
OUTLINE DRAWING			SJM	9-27-95
BF-3163-000			APP. BY	DATE
SHT 1.1			DRK	10-6-95