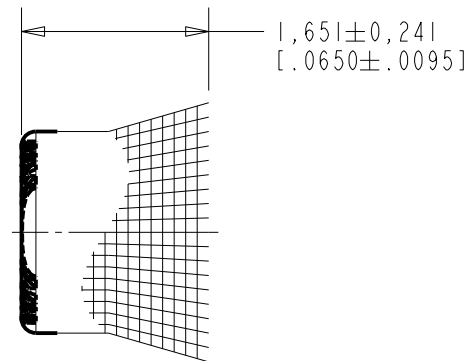
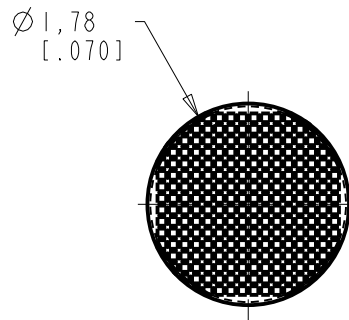


BF-3038-000
SHT 1.1

- (D) NOTE:
1. ACOUSTIC RESISTANCE IS MEASURED WITH ELEMENT INSERTED IN HOLE 1,80 [.071] DIA X 2,54 [.100] LONG.
 2. ACOUSTICAL RESISTANCE TO BE $1500 \pm 20\% \Omega$ COLOR GREEN.
 3. ACOUSTIC DAMPING ELEMENTS ARE PACKED 100 PIECES PER BOX.



DIMENSIONS IN MILLIMETERS [INCHES]

KNOWLES ELECTRONICS
ITASCA, ILLINOIS U.S.A.

| Revision | C.O. # | Implementation Date | RELEASE LEVEL | REVISION |
|----------------------|-----------|---------------------|---------------|---------------|
| D | MI0105938 | 3-18-15 | Active | D |
| C | MI0100342 | 4-6-05 | | |
| SCALE: 15:1 | | | DR. BY: GJP | DATE: 3-9-84 |
| DO NOT SCALE DRAWING | | | CK. BY: --- | DATE: --- |
| TITLE: BF DAMPER | | BF-3038-000 | APP. BY: KHW | DATE: 3-10-87 |
| OUTLINE DRAWING | | SHT 1.1 | | |