



# BGA2817

MMIC wideband amplifier

Rev. 7 — 30 March 2017

Product data sheet

## 1. Product profile

### 1.1 General description

Silicon Monolithic Microwave Integrated Circuit (MMIC) wideband amplifier with internal matching circuit in a 6-pin SOT363 plastic SMD package.

### 1.2 Features and benefits

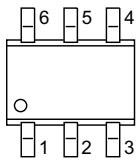
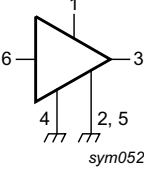
- Internally matched to  $50\ \Omega$
- A gain of 24.4 dB at 2150 MHz
- Output power at 1 dB gain compression = 5 dBm at 2150 MHz
- Supply current = 20.0 mA at a supply voltage of 3.3 V
- Reverse isolation > 39 dB up to 2150 MHz
- Good linearity with low second order and third order products
- Noise figure = 3.9 dB at 950 MHz
- Unconditionally stable ( $K > 1$ )
- No output inductor required

### 1.3 Applications

- LNB IF amplifiers
- General purpose low noise wideband amplifier for frequencies between DC and 2.2 GHz

## 2. Pinning information

Table 1. Pinning

Pin	Description	Simplified outline	Graphic symbol
1	V <sub>CC</sub>		 sym052
2, 5	GND2		
3	RF_OUT		
4	GND1		
6	RF_IN		

### 3. Ordering information

Table 2. Ordering information

Type number	Package		
	Name	Description	Version
BGA2817	-	plastic surface-mounted package; 6 leads	SOT363

### 4. Marking

Table 3. Marking

Type number	Marking code	Description
BGA2817	LS*	* = - : made in Hong Kong
		* = p : made in Hong Kong
		* = W : made in China
		* = t : made in Malaysia

### 5. Limiting values

Table 4. Limiting values

In accordance with the Absolute Maximum Rating System (IEC 60134).

Symbol	Parameter	Conditions	Min	Max	Unit
$V_{CC}$	supply voltage	RF input AC coupled	-0.5	+5.0	V
$I_{CC}$	supply current		-	55	mA
$P_{tot}$	total power dissipation	$T_{sp} = 90\text{ °C}$	-	200	mW
$T_{stg}$	storage temperature		-40	+125	°C
$T_j$	junction temperature		-	125	°C
$P_{drive}$	drive power		-	10	dBm

### 6. Thermal characteristics

Table 5. Thermal characteristics

Symbol	Parameter	Conditions	Typ	Unit
$R_{th(j-sp)}$	thermal resistance from junction to solder point	$P_{tot} = 200\text{ mW}$ ; $T_{sp} = 90\text{ °C}$	300	K/W

### 7. Characteristics

Table 6. Characteristics

$V_{CC} = 3.3\text{ V}$ ;  $Z_S = Z_L = 50\ \Omega$ ;  $P_i = -40\text{ dBm}$ ;  $T_{amb} = 25\text{ °C}$ ; measured on demo board; unless otherwise specified.

Symbol	Parameter	Conditions	Min	Typ	Max	Unit
$V_{CC}$	supply voltage		3.0	3.3	3.6	V
$I_{CC}$	supply current		17.6	20.0	22.2	mA

**Table 6. Characteristics ...continued**

$V_{CC} = 3.3\text{ V}$ ;  $Z_S = Z_L = 50\ \Omega$ ;  $P_i = -40\text{ dBm}$ ;  $T_{amb} = 25\text{ }^\circ\text{C}$ ; measured on demo board; unless otherwise specified.

Symbol	Parameter	Conditions	Min	Typ	Max	Unit
G <sub>p</sub>	power gain	f = 250 MHz	23.6	24.2	24.8	dB
		f = 950 MHz	23.5	24.3	25	dB
		f = 2150 MHz	23	24.4	25.9	dB
RL <sub>in</sub>	input return loss	f = 250 MHz	13	15	-	dB
		f = 950 MHz	16	18	-	dB
		f = 2150 MHz	13	20	-	dB
RL <sub>out</sub>	output return loss	f = 250 MHz	12	17	-	dB
		f = 950 MHz	16	17	-	dB
		f = 2150 MHz	17	20	-	dB
ISL	isolation	f = 250 MHz	36	57	-	dB
		f = 950 MHz	47	49	-	dB
		f = 2150 MHz	37	39	-	dB
NF	noise figure	f = 250 MHz	-	3.9	4.4	dB
		f = 950 MHz	-	3.9	4.3	dB
		f = 2150 MHz	-	3.8	4.2	dB
B <sub>-3dB</sub>	-3 dB bandwidth	3 dB below gain at 1 GHz	3.3	3.5	3.7	GHz
K	Rollett stability factor	f = 250 MHz	10	21	-	
		f = 950 MHz	7	9	-	
		f = 2150 MHz	1.5	2.7	-	
P <sub>L(sat)</sub>	saturated output power	f = 250 MHz	8	8	-	dBm
		f = 950 MHz	5	7	-	dBm
		f = 2150 MHz	5	6	-	dBm
P <sub>L(1dB)</sub>	output power at 1 dB gain compression	f = 250 MHz	6	6	-	dBm
		f = 950 MHz	5	6	-	dBm
		f = 2150 MHz	4	5	-	dBm
IP <sub>3I</sub>	input third-order intercept point	P <sub>drive</sub> = -40 dBm (for each tone)				
		f <sub>1</sub> = 250 MHz; f <sub>2</sub> = 251 MHz	-9	-7	-	dBm
		f <sub>1</sub> = 950 MHz; f <sub>2</sub> = 951 MHz	-9	-7	-	dBm
		f <sub>1</sub> = 2150 MHz; f <sub>2</sub> = 2151 MHz	-13	-10	-	dBm
IP <sub>3O</sub>	output third-order intercept point	P <sub>drive</sub> = -40 dBm (for each tone)				
		f <sub>1</sub> = 250 MHz; f <sub>2</sub> = 251 MHz	16	18	-	dBm
		f <sub>1</sub> = 950 MHz; f <sub>2</sub> = 951 MHz	16	18	-	dBm
		f <sub>1</sub> = 2150 MHz; f <sub>2</sub> = 2151 MHz	12.5	15.5	-	dBm
P <sub>L(2H)</sub>	second harmonic output power	P <sub>drive</sub> = -28 dBm				
		f <sub>1H</sub> = 250 MHz; f <sub>2H</sub> = 500 MHz	-	-53	-51	dBm
		f <sub>1H</sub> = 950 MHz; f <sub>2H</sub> = 1900 MHz	-	-45	-41	dBm
ΔIM2	second-order intermodulation distance	P <sub>drive</sub> = -31 dBm (for each tone)				
		f <sub>1</sub> = 250 MHz; f <sub>2</sub> = 251 MHz	34	36	-	dBc
		f <sub>1</sub> = 950 MHz; f <sub>2</sub> = 951 MHz	33	39	-	dBc

## 8. Application information

Figure 1 shows a typical application circuit for the BGA2817 MMIC. The device is internally matched to 50 Ω, and therefore does not need any external matching. The value of the input and output DC blocking capacitors C2 and C3 should not be more than 100 pF for applications above 100 MHz. However, when the device is operated below 100 MHz, the capacitor value should be increased.

The location of the 470 pF supply decoupling capacitor (C<sub>dec</sub>) can be precisely chosen for optimum performance.

The PCB top ground plane, connected to pins 2, 4 and 5 must be as close as possible to the MMIC, preferably also below the MMIC. When using via holes, use multiple via holes as close as possible to the MMIC.

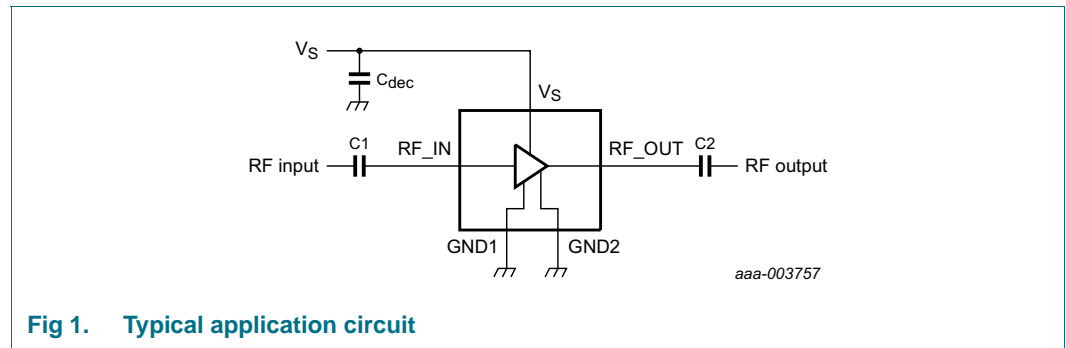


Fig 1. Typical application circuit

### 8.1 Application examples

The MMIC is very suitable as IF amplifier in e.g. LNB's. The excellent wideband characteristics make it an easy building block.

As second amplifier after an LNA, the MMIC offers an easy matching, low noise solution.

### 8.2 Tables

Table 7. Supply current over temperature and supply voltages  
Typical values.

Symbol	Parameter	Conditions	T <sub>amb</sub> (°C)			Unit
			-40	+25	+85	
I <sub>CC</sub>	supply current	V <sub>CC</sub> = 3.0 V	18.0	17.6	17.3	mA
		V <sub>CC</sub> = 3.3 V	20.4	20.0	19.6	mA
		V <sub>CC</sub> = 3.6 V	22.7	22.2	21.7	mA

**Table 8. Second harmonic output power over temperature and supply voltages**  
*Typical values.*

Symbol	Parameter	Conditions	T <sub>amb</sub> (°C)			Unit
			-40	+25	+85	
P <sub>L(2H)</sub>	second harmonic output power	f = 250 MHz; P <sub>drive</sub> = -28 dBm				
		V <sub>CC</sub> = 3.0 V	-38	-44	-52	dBm
		V <sub>CC</sub> = 3.3 V	-45	-53	-60	dBm
		V <sub>CC</sub> = 3.6 V	-56	-59	-53	dBm
		f = 950 MHz; P <sub>drive</sub> = -28 dBm				
		V <sub>CC</sub> = 3.0 V	-43	-53	-45	dBm
		V <sub>CC</sub> = 3.3 V	-51	-45	-41	dBm
		V <sub>CC</sub> = 3.6 V	-44	-41	-39	dBm

**Table 9. Input power at 1 dB gain compression over temperature and supply voltages**  
*Typical values.*

Symbol	Parameter	Conditions	T <sub>amb</sub> (°C)			Unit
			-40	+25	+85	
P <sub>i(1dB)</sub>	input power at 1 dB gain compression	f = 250 MHz				
		V <sub>CC</sub> = 3.0 V	-19	-18	-18	dBm
		V <sub>CC</sub> = 3.3 V	-17	-17	-17	dBm
		V <sub>CC</sub> = 3.6 V	-16	-16	-16	dBm
		f = 950 MHz				
		V <sub>CC</sub> = 3.0 V	-19	-18	-18	dBm
		V <sub>CC</sub> = 3.3 V	-18	-17	-17	dBm
		V <sub>CC</sub> = 3.6 V	-17	-17	-17	dBm
		f = 2150 MHz				
		V <sub>CC</sub> = 3.0 V	-20	-20	-20	dBm
		V <sub>CC</sub> = 3.3 V	-19	-19	-20	dBm
		V <sub>CC</sub> = 3.6 V	-18	-19	-20	dBm

**Table 10. Output power at 1 dB gain compression over temperature and supply voltages**  
*Typical values.*

Symbol	Parameter	Conditions	T <sub>amb</sub> (°C)			Unit
			-40	+25	+85	
P <sub>L(1dB)</sub>	output power at 1 dB gain compression	f = 250 MHz				
		V <sub>CC</sub> = 3.0 V	4	5	5	dBm
		V <sub>CC</sub> = 3.3 V	6	6	6	dBm
		V <sub>CC</sub> = 3.6 V	8	8	7	dBm
		f = 950 MHz				
		V <sub>CC</sub> = 3.0 V	4	4	4	dBm
		V <sub>CC</sub> = 3.3 V	6	6	6	dBm
		V <sub>CC</sub> = 3.6 V	7	7	7	dBm
		f = 2150 MHz				
		V <sub>CC</sub> = 3.0 V	4	4	3	dBm
		V <sub>CC</sub> = 3.3 V	6	5	4	dBm
		V <sub>CC</sub> = 3.6 V	7	6	5	dBm

**Table 11. Saturated output power over temperature and supply voltages**  
*Typical values.*

Symbol	Parameter	Conditions	T <sub>amb</sub> (°C)			Unit
			-40	+25	+85	
P <sub>L(sat)</sub>	saturated output power	f = 250 MHz				
		V <sub>CC</sub> = 3.0 V	6	6	7	dBm
		V <sub>CC</sub> = 3.3 V	8	8	8	dBm
		V <sub>CC</sub> = 3.6 V	9	9	9	dBm
		f = 950 MHz				
		V <sub>CC</sub> = 3.0 V	6	6	6	dBm
		V <sub>CC</sub> = 3.3 V	7	7	7	dBm
		V <sub>CC</sub> = 3.6 V	7	8	8	dBm
		f = 2150 MHz				
		V <sub>CC</sub> = 3.0 V	5	5	4	dBm
		V <sub>CC</sub> = 3.3 V	7	6	5	dBm
		V <sub>CC</sub> = 3.6 V	8	7	6	dBm

**Table 12. Second-order intermodulation distance over temperature and supply voltages**  
Typical values.

Symbol	Parameter	Conditions	T <sub>amb</sub> (°C)			Unit		
			-40	+25	+85			
ΔIM2	second-order intermodulation distance	f <sub>1</sub> = 250 MHz; f <sub>2</sub> = 251 MHz; P <sub>drive</sub> = -31 dBm						
			V <sub>CC</sub> = 3.0 V	28	32	36	dBc	
			V <sub>CC</sub> = 3.3 V	33	36	40	dBc	
				V <sub>CC</sub> = 3.6 V	38	40	44	dBc
		f <sub>1</sub> = 950 MHz; f <sub>2</sub> = 951 MHz; P <sub>drive</sub> = -31 dBm						
			V <sub>CC</sub> = 3.0 V	29	34	40	dBc	
			V <sub>CC</sub> = 3.3 V	35	39	43	dBc	
				V <sub>CC</sub> = 3.6 V	40	44	42	dBc

**Table 13. Output third-order intercept point over temperature and supply voltages**  
Typical values.

Symbol	Parameter	Conditions	T <sub>amb</sub> (°C)			Unit		
			-40	+25	+85			
IP3 <sub>O</sub>	output third-order intercept point	f <sub>1</sub> = 250 MHz; f <sub>2</sub> = 251 MHz; P <sub>drive</sub> = -40 dBm						
			V <sub>CC</sub> = 3.0 V	14	15	16	dBm	
			V <sub>CC</sub> = 3.3 V	18	18	17	dBm	
				V <sub>CC</sub> = 3.6 V	19	19	19	dBm
		f <sub>1</sub> = 950 MHz; f <sub>2</sub> = 951 MHz; P <sub>drive</sub> = -40 dBm						
			V <sub>CC</sub> = 3.0 V	15	16	15	dBm	
			V <sub>CC</sub> = 3.3 V	18	18	17	dBm	
				V <sub>CC</sub> = 3.6 V	20	20	18	dBm
		f <sub>1</sub> = 2150 MHz; f <sub>2</sub> = 2151 MHz; P <sub>drive</sub> = -40 dBm						
			V <sub>CC</sub> = 3.0 V	15.5	14.5	12.5	dBm	
			V <sub>CC</sub> = 3.3 V	17.5	15.5	13.5	dBm	
				V <sub>CC</sub> = 3.6 V	18.5	16.5	13.5	dBm

**Table 14. -3 dB bandwidth over temperature and supply voltages**  
Typical values.

Symbol	Parameter	Conditions	T <sub>amb</sub> (°C)			Unit
			-40	+25	+85	
B <sub>-3dB</sub>	-3 dB bandwidth	V <sub>CC</sub> = 3.0 V	3.6	3.49	3.34	GHz
		V <sub>CC</sub> = 3.3 V	3.59	3.47	3.32	GHz
		V <sub>CC</sub> = 3.6 V	3.58	3.46	3.31	GHz

9. Test information

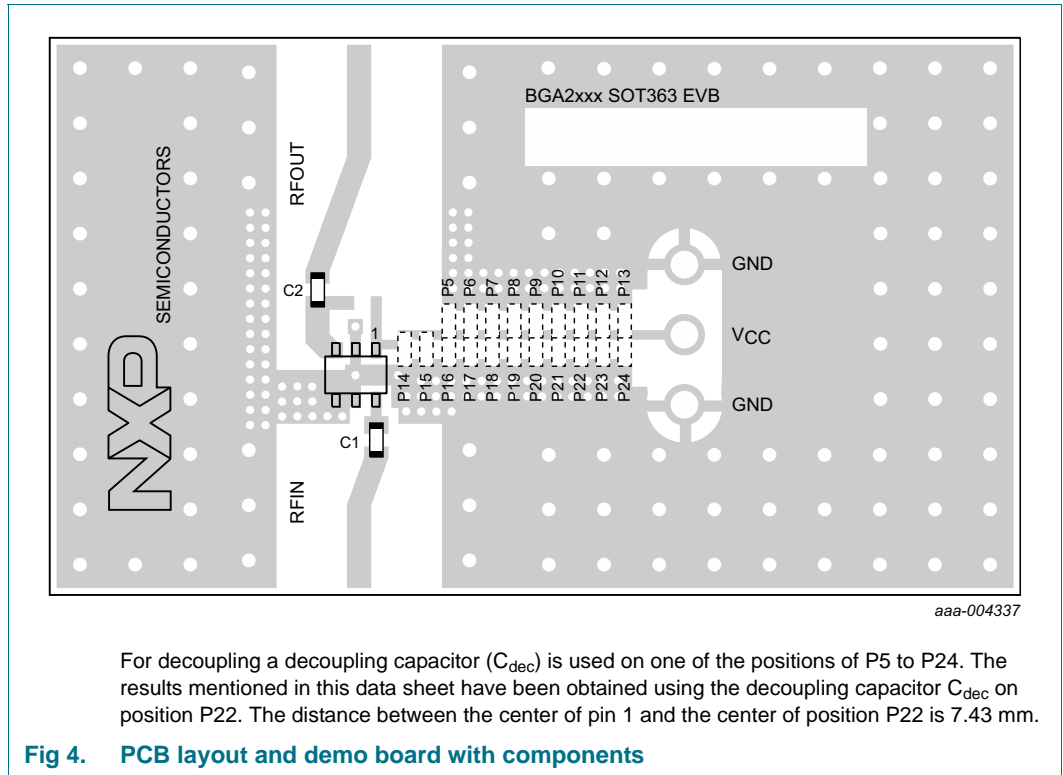


Table 15. List of components used for the typical application

Component	Description	Value	Dimensions	Remarks
C1, C2	multilayer ceramic chip capacitor	470 pF	0603	X7R RF coupling capacitor
P5 to P24 [1]	position for multilayer ceramic chip capacitor $C_{dec}$	470 pF	0603	X7R RF decoupling capacitor
IC1	BGA2817 MMIC	-	SOT363	

[1] For decoupling a decoupling capacitor ( $C_{dec}$ ) is used on one of the positions of P5 to P24. The results mentioned in this data sheet have been obtained using the decoupling capacitor  $C_{dec}$  on position P22.



### 10. Package outline

Plastic surface-mounted package; 6 leads

SOT363

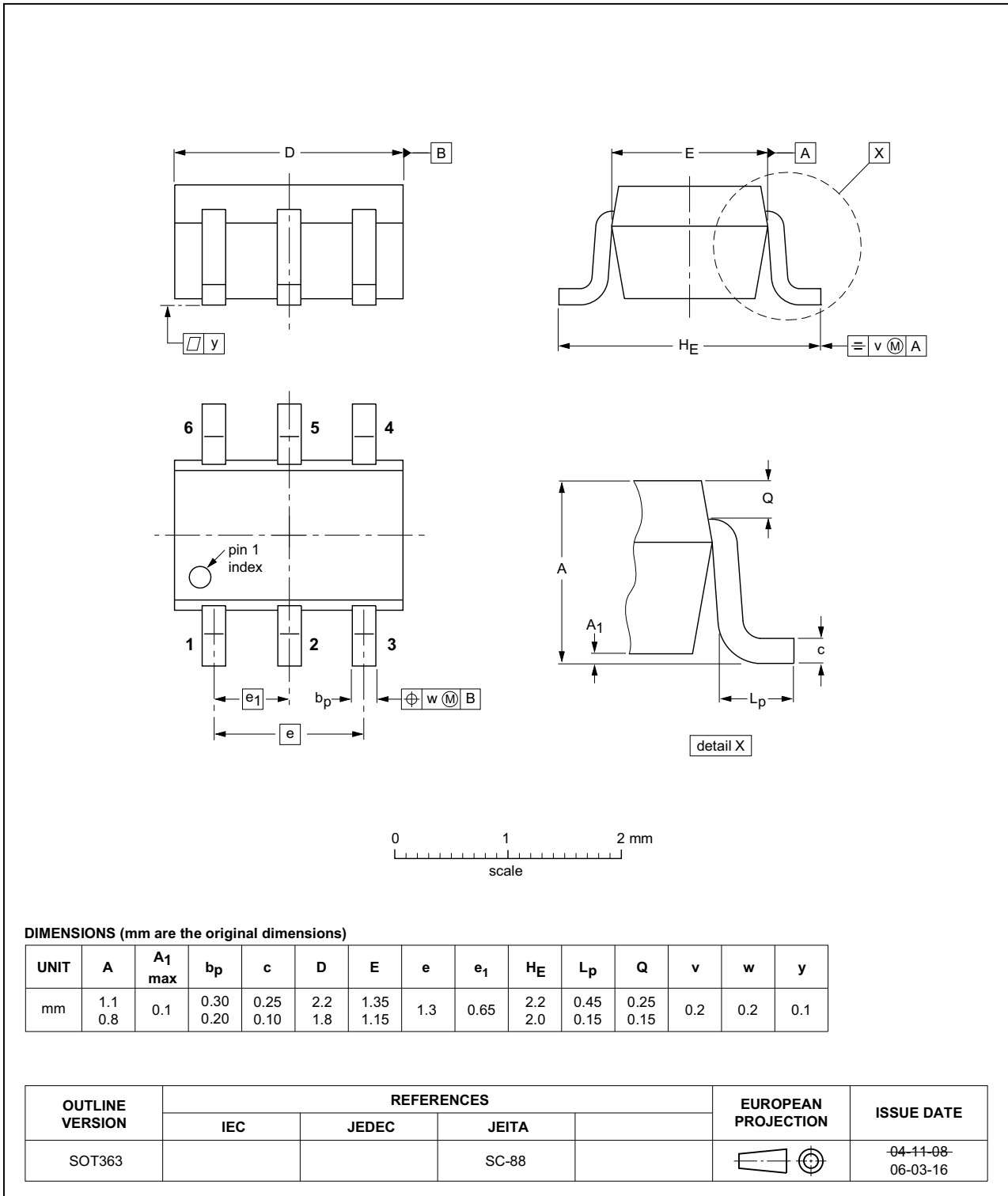


Fig 5. Package outline SOT363

## 11. Abbreviations

Table 16. Abbreviations

Acronym	Description
IF	Intermediate Frequency
LNA	Low-Noise Amplifier
LNB	Low-Noise Block converter
PCB	Printed-Circuit Board
SMD	Surface Mounted Device

## 12. Revision history

Table 17. Revision history

Document ID	Release date	Data sheet status	Change notice	Supersedes
BGA2817 v.7	20170330	Product data sheet	-	BGA2817 v.6
Modifications:	<ul style="list-style-type: none"> <li>• <a href="#">Table 6 on page 2</a>: the maximum value for <math>f_{1H} = 950</math> MHz; <math>f_{2H} = 1900</math> MHz has been changed to <math>-41</math> dBm</li> <li>• <a href="#">Table 6 on page 2</a>: the minimum value for <math>\Delta IM2</math> (<math>f_1 = 950</math> MHz; <math>f_2 = 951</math> MHz) has been changed to <math>33</math> dBc</li> <li>• <a href="#">Table 6 on page 2</a>: the maximum value removed from <math>RL_{in}</math>, <math>RL_{out}</math>, <math>ISL</math>, <math>K</math>, <math>P_{L(sat)}</math>, <math>P_{L(1dB)}</math>, <math>IP3_I</math>, <math>IP3_O</math>, <math>\Delta IM2</math></li> <li>• <a href="#">Table 6 on page 2</a>: the minimum value removed from <math>NF</math>, <math>P_{L(2H)}</math></li> </ul>			
BGA2817 v.6	20161003	Product data sheet	-	BGA2817 v.5
Modifications:	<ul style="list-style-type: none"> <li>• <a href="#">Table 6 on page 2</a>: the min/max value for <math>P_{L(2H)}</math> (<math>f_{1H} = 950</math> MHz; <math>f_{2H} = 1900</math> MHz) removed</li> <li>• <a href="#">Table 6 on page 2</a>: the min/max value for <math>\Delta IM2</math> (<math>f_1 = 950</math> MHz; <math>f_2 = 951</math> MHz) removed</li> </ul>			
BGA2817 v.5	20150330	Product data sheet	-	BGA2817 v.4
Modifications:	<ul style="list-style-type: none"> <li>• <a href="#">Table 4 on page 2</a>: the maximum value for <math>P_{drive}</math> has been changed to <math>10</math> dBm</li> </ul>			
BGA2817 v.4	20141203	Product data sheet	-	BGA2817 v.3
BGA2817 v.3	20130826	Product data sheet	-	BGA2817 v.2
BGA2817 v.2	20120419	Product data sheet	-	BGA2817 v.1
BGA2817 v.1	20111117	Product data sheet	-	-

## 13. Legal information

### 13.1 Data sheet status

Document status <sup>[1][2]</sup>	Product status <sup>[3]</sup>	Definition
Objective [short] data sheet	Development	This document contains data from the objective specification for product development.
Preliminary [short] data sheet	Qualification	This document contains data from the preliminary specification.
Product [short] data sheet	Production	This document contains the product specification.

[1] Please consult the most recently issued document before initiating or completing a design.

[2] The term 'short data sheet' is explained in section "Definitions".

[3] The product status of device(s) described in this document may have changed since this document was published and may differ in case of multiple devices. The latest product status information is available on the Internet at URL <http://www.nxp.com>.

### 13.2 Definitions

**Draft** — The document is a draft version only. The content is still under internal review and subject to formal approval, which may result in modifications or additions. NXP Semiconductors does not give any representations or warranties as to the accuracy or completeness of information included herein and shall have no liability for the consequences of use of such information.

**Short data sheet** — A short data sheet is an extract from a full data sheet with the same product type number(s) and title. A short data sheet is intended for quick reference only and should not be relied upon to contain detailed and full information. For detailed and full information see the relevant full data sheet, which is available on request via the local NXP Semiconductors sales office. In case of any inconsistency or conflict with the short data sheet, the full data sheet shall prevail.

**Product specification** — The information and data provided in a Product data sheet shall define the specification of the product as agreed between NXP Semiconductors and its customer, unless NXP Semiconductors and customer have explicitly agreed otherwise in writing. In no event however, shall an agreement be valid in which the NXP Semiconductors product is deemed to offer functions and qualities beyond those described in the Product data sheet.

### 13.3 Disclaimers

**Limited warranty and liability** — Information in this document is believed to be accurate and reliable. However, NXP Semiconductors does not give any representations or warranties, expressed or implied, as to the accuracy or completeness of such information and shall have no liability for the consequences of use of such information. NXP Semiconductors takes no responsibility for the content in this document if provided by an information source outside of NXP Semiconductors.

In no event shall NXP Semiconductors be liable for any indirect, incidental, punitive, special or consequential damages (including - without limitation - lost profits, lost savings, business interruption, costs related to the removal or replacement of any products or rework charges) whether or not such damages are based on tort (including negligence), warranty, breach of contract or any other legal theory.

Notwithstanding any damages that customer might incur for any reason whatsoever, NXP Semiconductors' aggregate and cumulative liability towards customer for the products described herein shall be limited in accordance with the *Terms and conditions of commercial sale* of NXP Semiconductors.

**Right to make changes** — NXP Semiconductors reserves the right to make changes to information published in this document, including without limitation specifications and product descriptions, at any time and without notice. This document supersedes and replaces all information supplied prior to the publication hereof.

**Suitability for use** — NXP Semiconductors products are not designed, authorized or warranted to be suitable for use in life support, life-critical or safety-critical systems or equipment, nor in applications where failure or malfunction of an NXP Semiconductors product can reasonably be expected to result in personal injury, death or severe property or environmental damage. NXP Semiconductors and its suppliers accept no liability for inclusion and/or use of NXP Semiconductors products in such equipment or applications and therefore such inclusion and/or use is at the customer's own risk.

**Applications** — Applications that are described herein for any of these products are for illustrative purposes only. NXP Semiconductors makes no representation or warranty that such applications will be suitable for the specified use without further testing or modification.

Customers are responsible for the design and operation of their applications and products using NXP Semiconductors products, and NXP Semiconductors accepts no liability for any assistance with applications or customer product design. It is customer's sole responsibility to determine whether the NXP Semiconductors product is suitable and fit for the customer's applications and products planned, as well as for the planned application and use of customer's third party customer(s). Customers should provide appropriate design and operating safeguards to minimize the risks associated with their applications and products.

NXP Semiconductors does not accept any liability related to any default, damage, costs or problem which is based on any weakness or default in the customer's applications or products, or the application or use by customer's third party customer(s). Customer is responsible for doing all necessary testing for the customer's applications and products using NXP Semiconductors products in order to avoid a default of the applications and the products or of the application or use by customer's third party customer(s). NXP does not accept any liability in this respect.

**Limiting values** — Stress above one or more limiting values (as defined in the Absolute Maximum Ratings System of IEC 60134) will cause permanent damage to the device. Limiting values are stress ratings only and (proper) operation of the device at these or any other conditions above those given in the Recommended operating conditions section (if present) or the Characteristics sections of this document is not warranted. Constant or repeated exposure to limiting values will permanently and irreversibly affect the quality and reliability of the device.

**Terms and conditions of commercial sale** — NXP Semiconductors products are sold subject to the general terms and conditions of commercial sale, as published at <http://www.nxp.com/profile/terms>, unless otherwise agreed in a valid written individual agreement. In case an individual agreement is concluded only the terms and conditions of the respective agreement shall apply. NXP Semiconductors hereby expressly objects to applying the customer's general terms and conditions with regard to the purchase of NXP Semiconductors products by customer.

**No offer to sell or license** — Nothing in this document may be interpreted or construed as an offer to sell products that is open for acceptance or the grant, conveyance or implication of any license under any copyrights, patents or other industrial or intellectual property rights.

**Export control** — This document as well as the item(s) described herein may be subject to export control regulations. Export might require a prior authorization from competent authorities.

**Non-automotive qualified products** — Unless this data sheet expressly states that this specific NXP Semiconductors product is automotive qualified, the product is not suitable for automotive use. It is neither qualified nor tested in accordance with automotive testing or application requirements. NXP Semiconductors accepts no liability for inclusion and/or use of non-automotive qualified products in automotive equipment or applications.

In the event that customer uses the product for design-in and use in automotive applications to automotive specifications and standards, customer (a) shall use the product without NXP Semiconductors' warranty of the product for such automotive applications, use and specifications, and (b) whenever customer uses the product for automotive applications beyond

NXP Semiconductors' specifications such use shall be solely at customer's own risk, and (c) customer fully indemnifies NXP Semiconductors for any liability, damages or failed product claims resulting from customer design and use of the product for automotive applications beyond NXP Semiconductors' standard warranty and NXP Semiconductors' product specifications.

**Translations** — A non-English (translated) version of a document is for reference only. The English version shall prevail in case of any discrepancy between the translated and English versions.

## 13.4 Trademarks

Notice: All referenced brands, product names, service names and trademarks are the property of their respective owners.

## 14. Contact information

For more information, please visit: <http://www.nxp.com>

For sales office addresses, please send an email to: [salesaddresses@nxp.com](mailto:salesaddresses@nxp.com)