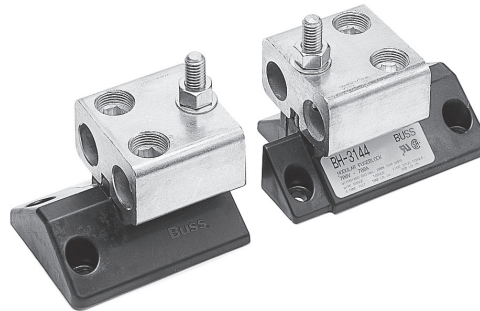


BH-3 modular fuse blocks, 700 V, 700 A

RoHS



Agency information

- UL® Recognized, Guide IZLT2, File E14853 up to 700 V
- CSA® Certified, Class 6225-01, File 47235 up to 700 V
- CE
- RoHS compliant

Materials

- Base - light-weight, high temperature thermoplastic
- Mounting studs - plated steel
- Washer - spring steel
- Nuts - plated steel
- Connector: tin-plated aluminum

Conductors — AWG Cu

- Connector accepts 6 - 250 kcmil

Catalog symbol:

- BH-3_

Description:

Bussmann™ series modular fuse blocks for bolt-on high speed, Class J (225-600 A), and 300 V and 600 V Class T (450-600 A) fuses. See mounting dimensions table for applicable Bussmann series fuse catalog numbers.

Specifications:

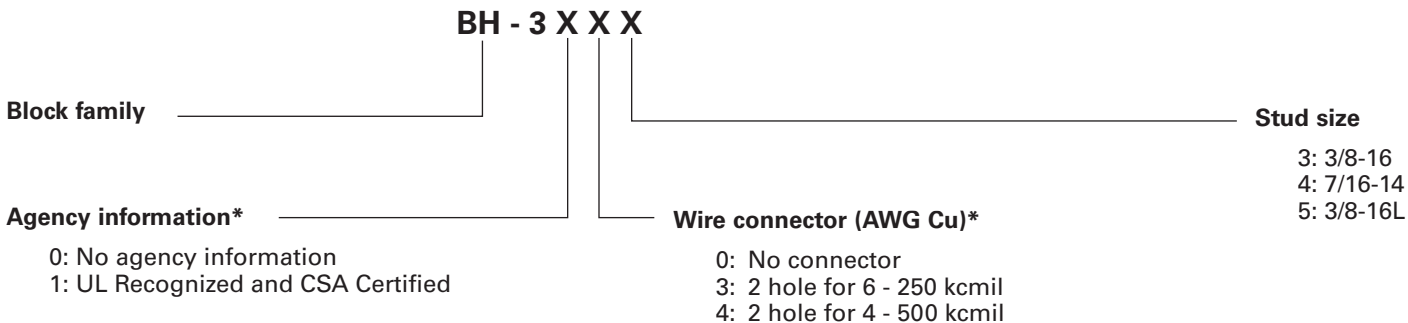
Ratings

- Volts - 700 V
- Amps - 700 A
- Withstand rating - 200 kA RMS Sym. or the applied fuse interrupting rating, whichever is less

EATON

Powering Business Worldwide

Catalog number build-a-code



Notes:

1. The #4 connector must be used with either the 7/16-14 or the 3/8-16L stud.
2. The only compatible connector for the 7/16-14 stud is #4.
3. Always check applicable end use standards for required spacing between blocks, fuses or other hardware.
4. For applications above 700 V, consult appropriate electrical standard for proper creepage distances, clearance distances and insulator voltage withstand ratings.

* Applicable only to BH-300_ configuration — no agency information, no connector.

Dimensions: — mm/in

See Table 1 for A, B and C dimensions per fuse catalog symbol/ampacity and block catalog number from Build-a-Code.

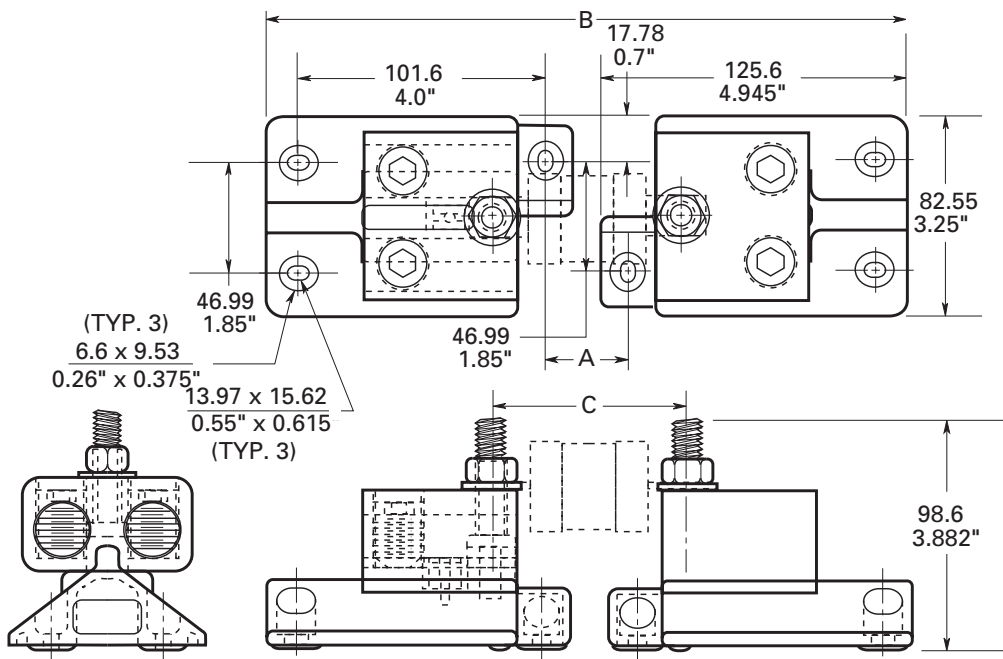


Table 1. Mounting dimensions - mm (in)

Bussmann series fuse catalog symbol (amp range)	Fuse block cat. no.	Stud dia. (in)	Fuse volts	Dimensions — mm (in)		
				A	B	C
FBP-_ (250-400)	BH-3144	7/16	700	59.46 (2.341)	288.06 (11.341)	102.39 (4.031)
FBP-_ (450-600)	BH-3144	7/16	700	65.02 (2.56)	293.62 (11.56)	107.95 (4.25)
FWA-_ (450-600)	BH-3145	3/8	150	20.57 (0.81)	249.1 (79.81)	63.50 (2.50)
FWH-_ (450-600)	BH-3145	3/8	500	46.74 (1.84)	275.34 (10.84)	89.68 (3.53)
FWP-_ (450-600)	BH-3144	7/16	700	102.36 (4.03)	330.96 (13.03)	145.29 (5.72)
FWX-_ (350-600)	BH-3145	3/8	250	31.75 (1.25)	260.35 (10.25)	74.68 (2.94)
JUN-_ (450-600)	BH-3144	7/16	300	8.66 (0.341)	237.26 (9.341)	51.59 (2.031)
JJS-_ (450-600)	BH-3144	7/16	600	32.08 (1.263)	260.68 (10.263)	75.01 (2.953)
JKS-_ (225-400)	BH-3145	3/8	600	90.42 (3.56)	319.02 (12.56)	133.35 (5.25)
JKS-_ (450-600)	BH-3144	7/16	600	109.47 (4.31)	338.07 (13.31)	152.40 (6.00)
KAA-_ (450-600)	BH-3145	3/8	130	18.97 (0.747)	247.57 (9.747)	61.90 (2.437)
KAB-_ (450-600)	BH-3145	3/8	250	27.71 (1.091)	256.31 (10.091)	70.64 (2.781)
KAC-_ (225-400)	BH-3144	7/16	600	77.72 (3.06)	306.32 (12.06)	120.65 (4.75)
KAC-_ (425-600)	BH-3144	7/16	600	77.72 (3.06)	306.32 (3.06)	120.65 (4.75)
KAX-_ (450-600)	BH-3145	3/8	250	27.71 (1.091)	256.31 (10.091)	70.64 (2.781)
KBC-_ (450-600)	BH-3145	3/8	600	60.33 (2.372)	288.85 (11.372)	103.17 (4.062)
KBP-_ (450-600)	BH-3144	7/16	700	86.44 (3.403)	315.04 (12.403)	129.36 (5.093)
LPJ-_ (225-400)	BH-3145	3/8	600	90.42 (3.56)	319.02 (12.56)	133.35 (5.25)
LPJ-_ (450-600)	BH-3144	7/16	600	109.47 (4.31)	338.07 (13.31)	152.40 (6.00)
SPJ-5B-_ (200-400)	BH-3144	7/16	1000	82.83 (3.261)	262.15 (10.321)	127.79 (5.031)
SPJ-5E-_ (200-400)	BH-3144	7/16	1000	82.83 (3.261)	262.15 (10.321)	127.79 (5.031)
SPJ-6B-_ (300-600)	BH-3144	7/16	1000	84.86 (3.341)	313.46 (12.341)	127.79 (5.031)
SPJ-6E-_ (300-600)	BH-3144	7/16	1000	84.86 (3.341)	313.46 (12.341)	127.79 (5.031)
SPP-5B-_ (225-600)	BH-3144	7/16	700	61.04 (2.403)	289.64 (11.403)	103.96 (4.093)
SPP-5E-_ (225-600)	BH-3144	7/16	700	61.04 (2.403)	289.64 (11.403)	103.96 (4.093)
SPP-5F-_ (225-600)	BH-3144	7/16	700	82.47 (3.247)	311.07 (12.247)	125.40 (4.937)
SPP-5H-_ (225-600)	BH-3144	7/16	700	82.47 (3.247)	311.07 (12.247)	125.40 (4.937)
SPP-6B-_ (300-600)	BH-3144	7/16	700	61.04 (2.403)	289.64 (11.403)	103.96 (4.093)
SPP-6E-_ (300-600)	BH-3144	7/16	700	61.04 (2.403)	289.64 (11.403)	103.96 (4.093)
SPP-6F-_ (300-600)	BH-3144	7/16	700	82.47 (3.247)	311.07 (12.247)	125.40 (4.937)
SPP-6H-_ (300-600)	BH-3144	7/16	700	82.47 (3.247)	311.07 (12.247)	125.40 (4.937)
SPP-7B-_ (450-600)	BH-3144	7/16	700	62.64 (2.466)	291.24 (11.466)	105.56 (4.156)
SPP-7E-_ (450-600)	BH-3144	7/16	700	62.64 (2.466)	291.24 (11.466)	105.56 (4.156)
SPP-7F-_ (450-600)	BH-3144	7/16	700	81.69 (3.216)	310.29 (12.216)	124.61 (4.906)
SPP-7H-_ (450-600)	BH-3144	7/16	700	81.69 (3.216)	310.29 (12.216)	124.61 (4.906)
170L4702 thru 170L4720	BH-3145	3/8	1000	67.06 (2.64)	295.66 (11.642)	109.98 (4.33)
170L5195 thru 170L5299	BH-3145	3/8	1000	65.07 (2.562)	293.67 (11.562)	108.00 (4.252)
170L7295 thru 170L7296	BH-3145	3/8	1000	65.07 (2.562)	293.67 (11.562)	108.00 (4.252)
170L7635 thru 170L7636	BH-3145	3/8	1000	65.07 (2.562)	293.67 (11.562)	108.00 (4.252)
170L7697 thru 170L7699	BH-3145	3/8	1000	65.07 (2.562)	293.67 (11.562)	108.00 (4.252)
170L8124 thru 170L8379	BH-3145	3/8	1000	65.07 (2.562)	293.67 (11.562)	108.00 (4.252)
170L8423 thru 170L8429	BH-3145	3/8	1000	65.07 (2.562)	293.67 (11.562)	108.00 (4.252)
170L8684 thru 170L8982	BH-3144	7/16	1000	72.06 (2.837)	300.66 (11.837)	114.99 (4.527)
170L9300 thru 170L9302	BH-3144	7/16	1000	72.06 (2.837)	300.66 (11.837)	114.99 (4.527)
170L9306 thru 170L9308	BH-3144	7/16	1000	72.06 (2.837)	300.66 (11.837)	114.99 (4.527)
170M3020 thru 170M3023	BH-3145	3/8	660	35.05 (1.38)	263.65 (10.38)	77.98 (3.07)
170M3070 thru 170M3073	BH-3145	3/8	660	35.05 (1.38)	263.65 (10.38)	77.98 (3.07)
170M3120 thru 170M3123	BH-3145	3/8	660	35.05 (1.38)	263.65 (10.38)	77.98 (3.07)
170M3170 thru 170M3173	BH-3145	3/8	660	65.07 (2.562)	293.67 (11.562)	108.00 (4.252)
170M3220 thru 170M3223	BH-3145	3/8	660	65.07 (2.562)	293.67 (11.562)	108.00 (4.252)
170M3270 thru 170M3273	BH-3145	3/8	660	65.07 (2.562)	293.67 (11.562)	108.00 (4.252)
170M3320 thru 170M3323	BH-3144	7/16	660	33.07 (1.302)	261.67 (10.302)	76.00 (2.992)
170M3370 thru 170M3373	BH-3144	7/16	660	33.07 (1.302)	261.67 (10.302)	76.00 (2.992)

Table 1. Mounting dimensions - mm (in) continued

Bussmann series fuse catalog symbol (amp range)	Fuse block cat. no.	Stud dia. (in)	Fuse volts	Dimensions — mm (in)		
				A	B	C
170M3620 thru 170M3623	BH-3145	3/8	660	42.06 (1.656)	270.66 (10.656)	84.99 (3.346)
170M3670 thru 170M3673	BH-3145	3/8	660	42.06 (1.656)	270.66 (10.656)	84.99 (3.346)
170M3720 thru 170M3723	BH-3145	3/8	660	80.06 (3.152)	308.66 (12.152)	122.99 (4.842)
170M3770 thru 170M3773	BH-3145	3/8	660	80.06 (3.152)	308.66 (12.152)	122.99 (4.842)
170M4008 thru 170M4017	BH-3145	3/8	660	35.05 (1.38)	263.65 (10.38)	77.98 (3.07)
170M4058 thru 170M4067	BH-3145	3/8	660	35.05 (1.38)	263.65 (10.38)	77.98 (3.07)
170M4108 thru 170M4117	BH-3145	3/8	660	35.05 (1.38)	263.65 (10.38)	77.98 (3.07)
170M4138 thru 170M4247	BH-3145	3/8	1250	65.07 (2.562)	293.67 (11.562)	108.00 (4.252)
170M4158 thru 170M4166	BH-3145	3/8	660	65.07 (2.562)	293.67 (11.562)	108.00 (4.252)
170M4167 thru 170M4208	BH-3145	3/8	660	65.07 (2.562)	293.67 (11.562)	108.00 (4.252)
170M4217 thru 170M4247	BH-3145	3/8	660	65.07 (2.562)	293.67 (11.562)	108.00 (4.252)
170M4258 thru 170M4267	BH-3145	3/8	660	65.07 (2.562)	293.67 (11.562)	108.00 (4.252)
170M4308 thru 170M4317	BH-3145	3/8	660	43.08 (1.696)	271.68 (10.696)	86.00 (3.386)
170M4358 thru 170M4367	BH-3145	3/8	660	43.08 (1.696)	271.68 (10.696)	86.00 (3.386)
170M4608 thru 170M4617	BH-3144	7/16	660	61.06 (2.404)	289.66 (11.404)	103.99 (4.094)
170M4658 thru 170M4667	BH-3144	7/16	660	61.06 (2.404)	289.66 (11.404)	103.99 (4.09)
170M4688 thru 170M4697	BH-3144	7/16	1250	84.07 (3.31)	312.67 (12.31)	127.00 (5.00)
170M4708 thru 170M4717	BH-3144	7/16	660	83.06 (3.27)	311.66 (12.27)	125.98 (4.96)
170M4738 thru 170M4747	BH-3144	7/16	1250	84.07 (3.31)	312.67 (12.31)	127.00 (5.00)
170M4758 thru 170M4767	BH-3144	3/8	660	83.06 (3.27)	311.66 (12.27)	125.98 (4.96)
170M5008 thru 170M5013	BH-3145	3/8	660	35.05 (1.38)	263.65 (10.38)	77.98 (3.07)
170M5058 thru 170M5063	BH-3145	3/8	660	35.05 (1.38)	263.65 (10.38)	77.98 (3.07)
170M5108 thru 170M5113	BH-3145	3/8	660	35.05 (1.38)	263.65 (10.38)	77.98 (3.07)
170M5138 thru 170M5147	BH-3145	3/8	1250	65.07 (0.562)	293.67 (11.562)	108.00 (4.252)
170M5158 thru 170M5163	BH-3145	3/8	660	65.07 (0.562)	293.67 (11.562)	108.00 (4.252)
170M5188 thru 170M5197	BH-3145	3/8	1250	65.07 (0.562)	293.67 (11.562)	108.00 (4.252)
170M5208 thru 170M5213	BH-3145	3/8	660	65.07 (0.562)	293.67 (11.562)	108.00 (4.252)
170M5238 thru 170M5247	BH-3145	3/8	1250	65.07 (0.562)	293.67 (11.562)	108.00 (4.252)
170M5258 thru 170M5263	BH-3145	3/8	660	65.07 (0.562)	293.67 (11.562)	108.00 (4.252)
170M5308 thru 170M5313	BH-3145	3/8	660	48.08 (1.893)	276.68 (10.893)	91.01 (3.583)
170M5358 thru 170M5363	BH-3145	3/8	660	48.08 (1.893)	276.68 (10.893)	91.01 (3.583)
170M5608 thru 170M5613	BH-3144	7/16	660	62.08 (2.444)	290.68 (11.444)	105.00 (4.134)
170M5658 thru 170M5663	BH-3144	7/16	660	62.08 (2.444)	290.68 (11.444)	105.00 (4.134)
170M5688 thru 170M5696	BH-3144	7/16	1250	84.07 (3.31)	312.67 (12.31)	127.00 (5.00)
170M5708 thru 170M5713	BH-3144	7/16	660	82.07 (3.231)	310.67 (12.231)	124.99 (4.921)
170M5738 thru 170M5746	BH-3144	7/16	1250	84.07 (3.31)	312.67 (12.31)	127.00 (5.00)
170M5758 thru 170M5763	BH-3144	7/16	660	82.07 (3.231)	310.67 (12.231)	124.99 (4.921)
170M6008 thru 170M6011	BH-3145	3/8	660	35.05 (1.38)	263.65 (10.38)	77.98 (3.07)
170M6058 thru 170M6061	BH-3145	3/8	660	35.05 (1.38)	263.65 (10.38)	77.98 (3.07)
170M6108 thru 170M6111	BH-3145	3/8	660	35.05 (1.38)	263.65 (10.38)	77.98 (3.07)
170M6138 thru 170M6145	BH-3145	3/8	1250	65.07 (2.562)	293.67 (11.562)	108.00 (4.252)
170M6158 thru 170M6161	BH-3145	3/8	660	65.07 (2.562)	293.67 (11.562)	108.00 (4.252)
170M6188 thru 170M6195	BH-3145	3/8	1250	65.07 (2.562)	293.67 (11.562)	108.00 (4.252)
170M6208 thru 170M6211	BH-3145	3/8	660	65.07 (2.562)	293.67 (11.562)	108.00 (4.252)
170M6238 thru 170M6245	BH-3145	3/8	1250	65.07 (2.562)	293.67 (11.562)	108.00 (4.252)
170M6258 thru 170M6261	BH-3145	3/8	660	65.07 (2.562)	293.67 (11.562)	108.00 (4.252)
170M6308 thru 170M6311	BH-3144	7/16	660	48.08 (1.893)	276.68 (10.893)	91.01 (3.583)
170M6358 thru 170M6361	BH-3144	7/16	660	48.08 (1.893)	276.68 (10.893)	91.01 (3.583)