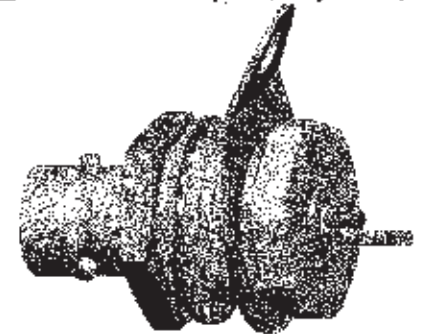
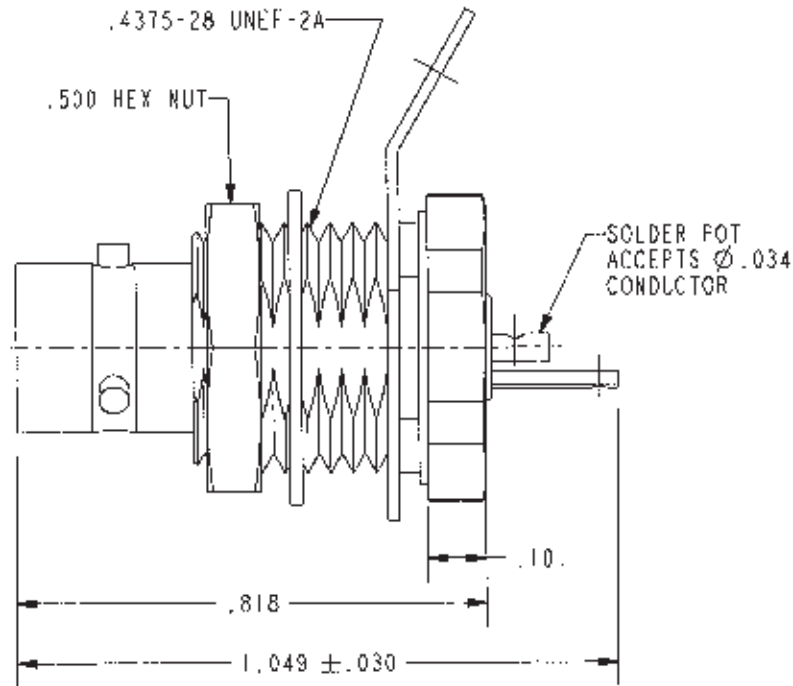
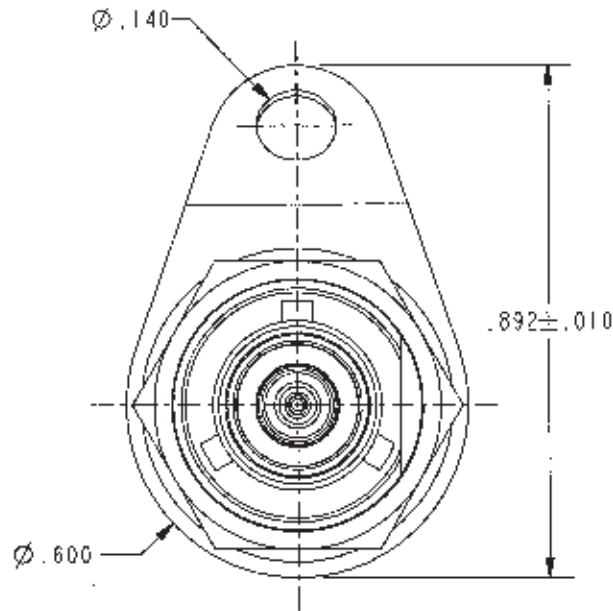


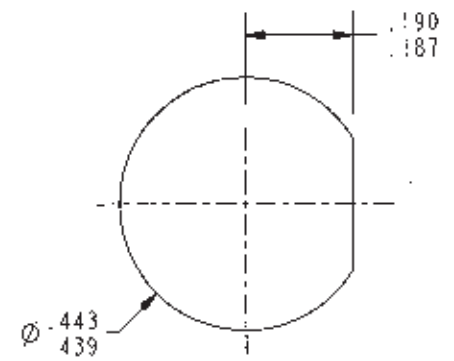
DATA CONTAINED IN THIS DOCUMENT IS
 PROPRIETARY TO TROMPETER ELECTRONICS INC.
 AND SHALL NOT BE DISCLOSED, COPIED OR USED
 FOR PURCHASING OR MANUFACTURE WITHOUT
 EXPRESS WRITTEN PERMISSION.

REVISIONS

REV	DESCRIPTIONS	DATE	APPROVED
G	REVISED PER ECO # 16699	9/22/09	Zm



SCALE 2/1




RECOMMENDED
 PANEL CUTOUT
 SCALE 3/1

RED INDICATES ORIGINAL

3. MAXIMUM PANEL THICKNESS .250
2. FINISH: TFS-1A (NICKEL)
1. SUBMIN.ATURE TWINAX/TRIAX REAR MOUNT SOLDER POT BULKHEAD RECEPTACLE

NOTES: UNLESS OTHERWISE SPECIFIED.

INTERPRET DRAWING PER MIL-STD-100. DIMENSIONS ARE IN INCHES AND INCLUDE FINISH THICKNESS UNLESS OTHERWISE SPECIFIED.		TOL: UNLESS SPECIFIED. .XX ± .02 .XXX ± .010 ANGLE ± 1°		 <p>TROMPETER RF connectivity <small>a cinch connectivity solutions brand</small></p>	
BY: J. CARPENTER CHK: M.J. QTY:	06-30-08 9-16-09	MATERIAL:	FINISH:		
APPROVED: Zm DATE: 9/21/09	NEXT ASSY:	DO NOT SCALE DIM:	SIZE: A CABE CODE: 14949	DRAWING NO.: 3-0259	REV.: G
DATE: 2-1-82	SCALE: 3/1	DATE: 2-1-82	DATE: 2-1-82	DATE: 2-1-82	DATE: 2-1-82