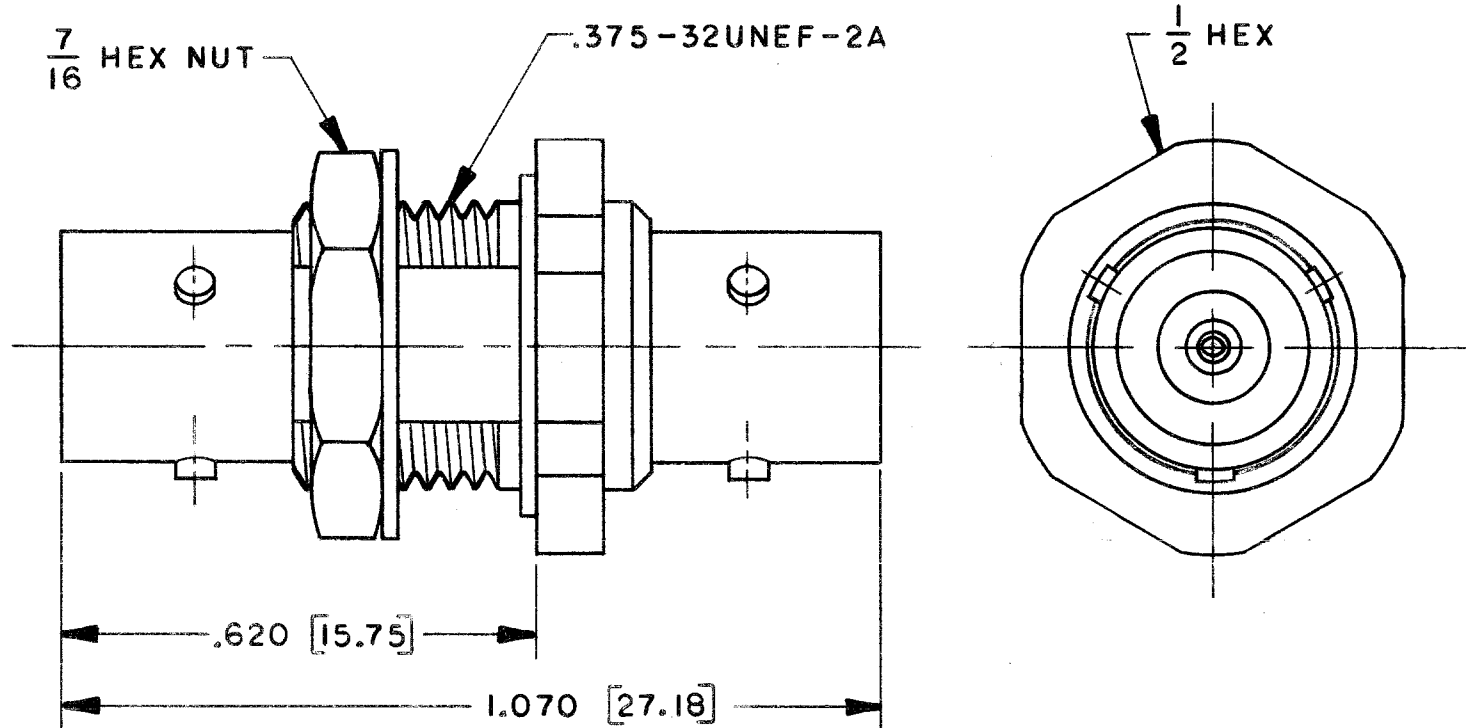


RECOMMENDED  
PANEL CUTOUT  
SCALE: 2/1

REV		EO	DESCRIPTION	DWN	APPROVED	DATE
REVISIONS			3000-0038		SH 1	



4. MAX PANEL THK .190 [4.83]

3. FEMALE SUBMINIATURE CONCENTRIC  
TWINAX/TRIAX BULKHEAD FEED THRU  
JACK (TPS STYLE)

2. FINISH: TFS-1A (NICKEL)

1. ALL DIM ARE REF  
IN INCHES AND [MM]

QTY	DESCRIPTION		PART NUMBER		ITEM	
TOL UNLESS SPECIFIED .XX ± .XXX ± .XXXX ± ANGLES ±			<b>TROMPETER ELECTRONICS, INC.</b>		BJ158	
DWN	JFD	8-16-78				MATERIAL
CHK		8-18-78	—	14949	3000-0038	
ENGR	FB	8-23-78				
APPR		8-23-78	SCALE 4/1	DATE 8-23-78	SHEET 1 OF 2	

NEXT ASSY
-----------