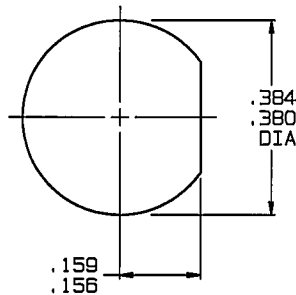
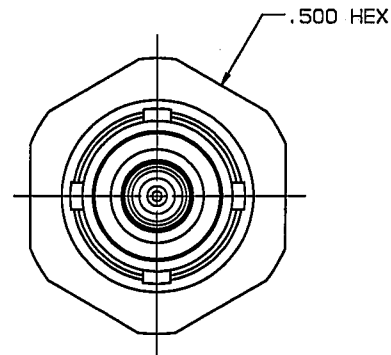
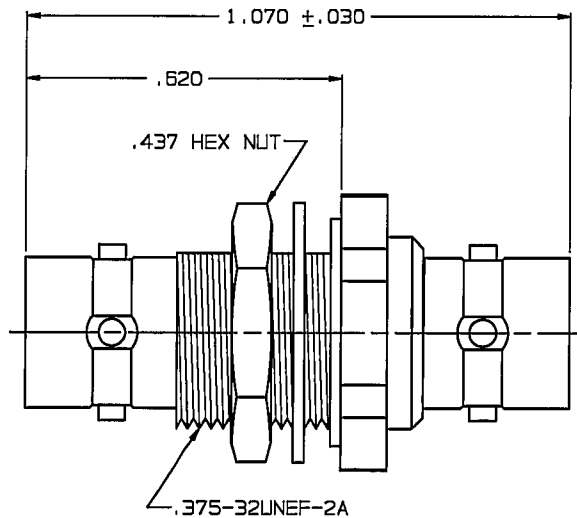


RED INDICATES ORIGINAL

DWG SIZE
B

DATA CONTAINED IN THIS DOCUMENT IS PROPRIETARY TO TROMPETER ELECTRONICS INC. AND SHALL NOT BE DISCLOSED, COPIED OR USED FOR PROCUREMENT OR MANUFACTURE WITHOUT EXPRESS WRITTEN PERMISSION.

REVISIONS			3-0072		SH 1
REV	ECD	DESCRIPTION	DWN	APPROVED	DATE
A	11560	REVISED AND REDRAWN; DRAWING NUMBER WAS 3000-0072; SEE ECD	DKC	<i>For: FQ</i>	



RECOMMENDED
PANEL CUTOUT

INCH	MM
.005	0.13
.030	0.76
.093	2.36
.156	3.96
.159	4.04
.380	9.65
.384	9.75
.437	11.10
.500	12.70
.620	15.75
1.070	27.70

4. MAX PANEL THK .093
3. FEMALE SUBMINIATURE CONCENTRIC TWINAX/TRIAX BULKHEAD FEED THRU 4 LUG JACK (TRS STYLE)
2. FINISH: TFS-1A (NICKEL)
1. ALL DIMENSION ARE IN INCHES

QTY	DESCRIPTION		PART NUMBER	ITEM		
	TOL UNLESS SPECIFIED .XX ± .XXX ±.005 .XXXX ± ANGLES ±		TROMPETER ELECTRONICS, INC.	BJ158FL		
DWN	DKC	5-7-96			MATERIAL	CODE IDENT
CHK	<i>BWA</i>	<i>6-10-96</i>		14949	3-0072	A
ENGR						
NEXT ASSY	APPR	<i>FQ</i>	<i>6/10/96</i>	SCALE 4/1	DATE 9-11-81	SHEET 1 OF 2