

RED INDICATES ORIGINAL

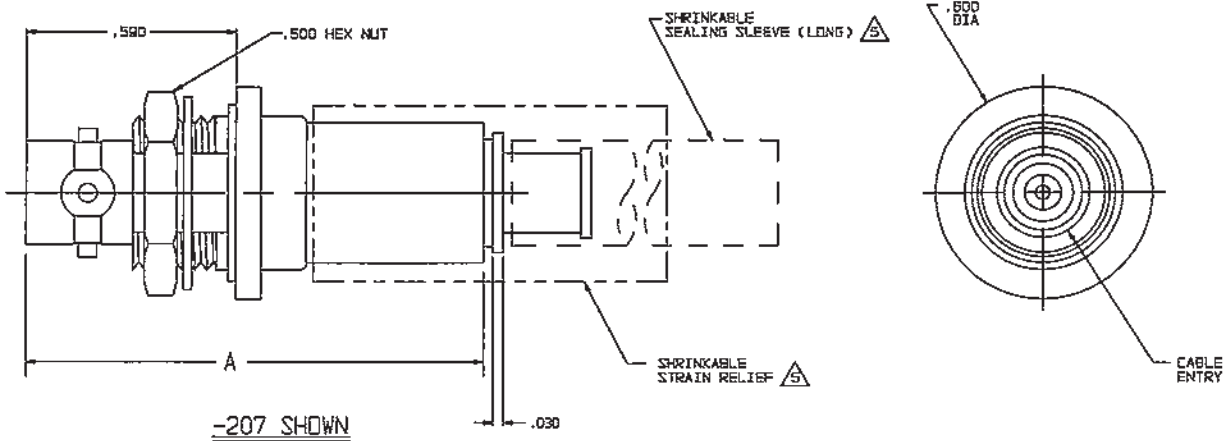
DATA CONTAINED IN THIS DOCUMENT IS PROPRIETARY TO TROMPETER ELECTRONICS INC. AND SHALL NOT BE DISCLOSED, COPIED OR USED FOR REPRODUCTION OR MANUFACTURE WITHOUT EXPRESS WRITTEN PERMISSION.

REVISONS			3-0233	SH 1
REV	EO	DESCRIPTION	OWN	APPROVED
X	12300	ADDED -224, & -225; SEE ECD	DBN	1AM 14M 5/17/98

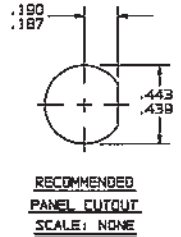
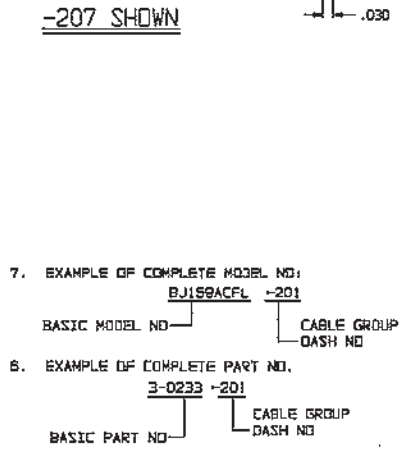
DASH NO	CABLES ACCOMMODATED	A DIM	B HEX	ASSEMBLE PER			
-201	M17/178-00002	1.164	.255	TAI-143			
-202	TWC-78-1						
-203	TWC-124-1A						
-204	10602, RAYCHEM						
-205	TWAC-78-1F2						
-206	792800130, RAYCHEM						
-207	83310 BELDEN				1.289	.344	TAI-167
-208	202-3927 MICRODOT				1.164	.255	TAI-143
-209	202-3942 MICRODOT						
-210	8451 BELDEN						
-211	202-3934 MICRODOT	1.289	.344	TAI-144			
-212	2524E0114, RAYCHEM						
-213	TWC-78-2						
-214	TWC-124-2						
-215	BL-882 TIMES						
-216	BL-1242 TIMES						
-217	6C875M24H, GRUMMAN	1.164	.255	TAI-143			
-218	EPD 221888, RAYCHEM						
-219	252801114, RAYCHEM						
-220	6C875R1, GRUMMAN						
-221	10514, RAYCHEM						
-222	10613, RAYCHEM						
-223	HMS2-1149, HUGHES						
-224	TWCP-124-3				1.289	.344	TAI-144
-225	PS66SPL, PRIME STOCK						

DASH NO	CABLES ACCOMMODATED	A DIM	B HEX	ASSEMBLE PER
-301	6C875G1, GRUMMAN	1.164	.255	TAI-157
-302	6C875G81, GRUMMAN			
-303	5022E5111, RAYCHEM			
-304	7528A5314, RAYCHEM	1.289	.344	TAI-173
-305	M17/177-00001/295-3804 MICRODOT			
-306	TRC-50-2			
-307	M17/134-00002			
-308	TRC-75-1	1.164	.255	TAI-157
-309	TRC-75-2			
-309	TRC-50-1			

INCH	MM
.005	0.13
.030	0.76
.125	3.18
.187	4.75
.190	4.83
.255	6.48
.344	8.74
.439	11.15
.443	11.25
.500	12.70
.590	14.99
.600	15.24
1.00	25.40
1.164	29.57
1.25	31.75
1.289	32.74
1.75	44.45



- 1 SHRINKABLE STRAIN RELIEF AND/OR SHRINKABLE SEALING SLEEVE SUPPLIED LOOSE AS FOLLOWS:
- CABLE GROUPS -207, -210 & -307:
 - 1 SHRINKABLE STRAIN RELIEF (1.00 LONG)
 - 1 SHRINKABLE SEALING SLEEVE (1.25 LONG)
 - CABLE GROUPS -201 THROUGH -205, -208, -209, -217 THROUGH -223, -301, -302, -303 & -309:
 - 1 SHRINKABLE SEALING SLEEVE (1.25 LONG)
 - CABLE GROUPS -211 THROUGH -216, -305, -306 & -308:
 - 1 SHRINKABLE STRAIN RELIEF (1.75 LONG)
4. MAX PANEL THK .125
3. 4-LUG SUBMINIATURE CONCENTRIC TWINAX (4 PIECE ASSY) AND TRIAX (6 PIECE ASSY) FULL CRIMP INSULATED BULKHEAD MOUNT RECEPTACLE
2. FINISH: TFS-1A (NICKEL)
1. ALL DIMENSIONS ARE IN INCHES



QTY	DESCRIPTION	PART NUMBER	ITEM
TOL UNLESS SPECIFIED .XX ±.03 .XXX ±.005 .XXXX ±.0006 ANGLES	TROMPETER RF connectivity	BJ159ACFL	
DWN DBN 3/25/89	MATERIAL	CODE IDENT	DRAWING NO.
CHK 1A-M 4-17-98		14949	3-0233
ENGR			REV K
APPR 1A-M 5/17/98	SCALE 4/1	DATE 5-31-85	SHEET 1 OF 2