

RED INDICATES ORIGINAL

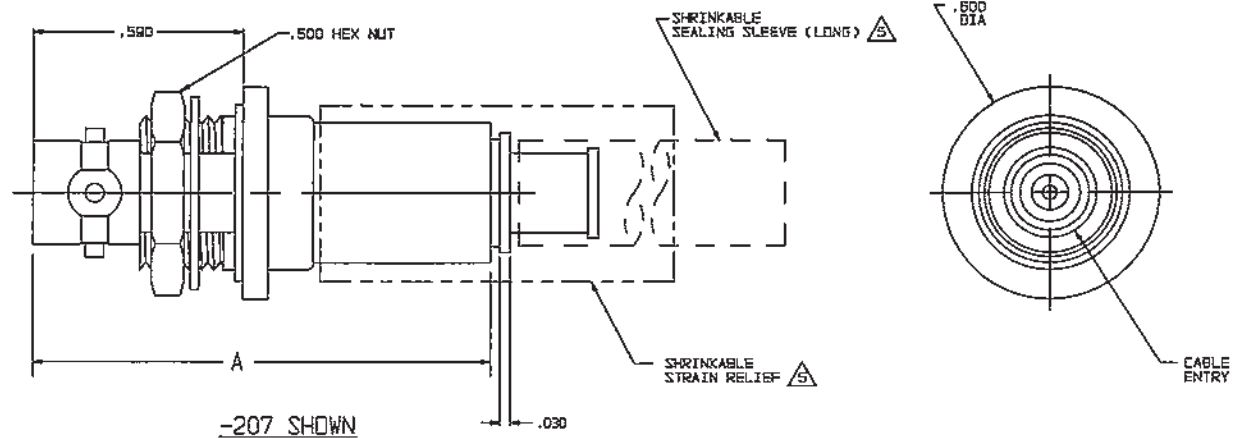
DATA CONTAINED IN THIS DOCUMENT IS PROPRIETARY TO TROMPETER ELECTRONICS INC. AND SHALL NOT BE DISCLOSED, COPIED OR USED FOR REPRODUCTION OR MANUFACTURE WITHOUT EXPRESS WRITTEN PERMISSION.

| REVISONS | | | 3-0233 | SH 1 | |
|----------|-------|-----------------------------|--------|----------|---------|
| REV | EQ | DESCRIPTION | OWN | APPROVED | DATE |
| X | 12300 | ADDED -224, & -225; SEE ECD | DBN | 1AM 14M | 5/17/88 |

| DASH NO | CABLES ACCOMMODATED | A DIM | B HEX | ASSEMBLE PER | | | |
|---------|----------------------|-------|-------|--------------|-------|------|---------|
| -201 | M17/178-00002 | 1.164 | .255 | TAI-143 | | | |
| -202 | TWC-78-1 | | | | | | |
| -203 | TWC-124-1A | | | | | | |
| -204 | 10602, RAYCHEM | | | | | | |
| -205 | TWAC-78-1F2 | | | | | | |
| -206 | 792800130, RAYCHEM | | | | | | |
| -207 | 83310 BELDEN | | | | 1.289 | .344 | TAI-167 |
| -208 | 202-3927 MICRODOT | | | | 1.164 | .255 | TAI-143 |
| -209 | 202-3942 MICRODOT | | | | | | |
| -210 | 8451 BELDEN | | | | | | |
| -211 | 202-3934 MICRODOT | 1.289 | .344 | TAI-144 | | | |
| -212 | 2524E0114, RAYCHEM | | | | | | |
| -213 | TWC-78-2 | | | | | | |
| -214 | TWC-124-2 | | | | | | |
| -215 | BL-882 TIMES | | | | | | |
| -216 | BL-1242 TIMES | | | | | | |
| -217 | 6C875M24H, GRUMMAN | 1.164 | .255 | TAI-143 | | | |
| -218 | EPD 221888, RAYCHEM | | | | | | |
| -219 | 252801114, RAYCHEM | | | | | | |
| -220 | 6C875R1, GRUMMAN | | | | | | |
| -221 | 10514, RAYCHEM | | | | | | |
| -222 | 10613, RAYCHEM | | | | | | |
| -223 | HMS2-1149, HUGHES | | | | | | |
| -224 | TWCP-124-3 | | | | 1.289 | .344 | TAI-144 |
| -225 | PS66SPL, PRIME STOCK | | | | | | |

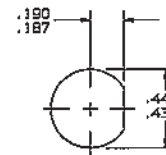
| DASH NO | CABLES ACCOMMODATED | A DIM | B HEX | ASSEMBLE PER |
|---------|---|-------|-------|--------------|
| -301 | 6C875G1, GRUMMAN | 1.164 | .255 | TAI-157 |
| -302 | 6C875G81, GRUMMAN 5022E5111, RAYCHEM | | | |
| -303 | 7528A5314, RAYCHEM | | | |
| -304 | | | | |
| -305 | M17/177-00001/295-3804 MICRODOT | | | |
| -306 | TRC-50-2 M17/134-00002 | 1.289 | .344 | TAI-173 |
| -307 | TRC-75-1 | | | TAI-198 |
| -308 | TRC-75-2 | | | TAI-173 |
| -309 | TRC-50-1 | 1.164 | .255 | TAI-157 |

| INCH | MM |
|-------|-------|
| .005 | 0.13 |
| .030 | 0.76 |
| .125 | 3.18 |
| .187 | 4.75 |
| .190 | 4.83 |
| .255 | 6.48 |
| .344 | 8.74 |
| .439 | 11.15 |
| .443 | 11.25 |
| .500 | 12.70 |
| .590 | 14.99 |
| .600 | 15.24 |
| 1.00 | 25.40 |
| 1.164 | 29.57 |
| 1.25 | 31.75 |
| 1.289 | 32.74 |
| 1.75 | 44.45 |



- 1 SHRINKABLE STRAIN RELIEF AND/OR SHRINKABLE SEALING SLEEVE SUPPLIED LOOSE AS FOLLOWS:
- CABLE GROUPS -207, -210 & -307:
 - 1 SHRINKABLE STRAIN RELIEF (1.00 LONG)
 - 1 SHRINKABLE SEALING SLEEVE (1.25 LONG)
 - CABLE GROUPS -201 THROUGH -205, -208, -209, -217 THROUGH -223, -301, -302, -303 & -309:
 - 1 SHRINKABLE SEALING SLEEVE (1.25 LONG)
 - CABLE GROUPS -211 THROUGH -216, -305, -306 & -308:
 - 1 SHRINKABLE STRAIN RELIEF (1.75 LONG)
4. MAX PANEL THK .125
3. 4-LUG SUBMINIATURE CONCENTRIC TWINAX (4 PIECE ASSY) AND TRIAX (6 PIECE ASSY) FULL CRIMP INSULATED BULKHEAD MOUNT RECEPTACLE
2. FINISH: TFS-1A (NICKEL)
1. ALL DIMENSIONS ARE IN INCHES

7. EXAMPLE OF COMPLETE MODEL NO:
BJ159ACFL -201
- BASIC MODEL NO: _____ CABLE GROUP DASH NO: _____
8. EXAMPLE OF COMPLETE PART NO.
3-0233 -201
- BASIC PART NO: _____ CABLE GROUP DASH NO: _____



RECOMMENDED
 PANEL CUTOUT
 SCALE: NONE



RECOMMENDED
 HEX CRIMP
 SCALE: NONE

| QTY | DESCRIPTION | PART NUMBER | ITEM |
|--|-------------------------------------|-------------|---------------------------|
| TOL UNLESS SPECIFIED .XX ±.03 .XXX ±.005 .XXXX ±.0006 ANGLES | TROMPETER RF Connectivity | BJ159ACFL | |
| DWN DBN 3/25/88 | MATERIAL CODE IDENT DRAWING NO. | 14949 | 3-0233 |
| CHK 1AM 4-17-88 | ENGR | | K |
| ENGR | APPR 1AM 5/17/88 | SCALE 4/1 | DATE 5-31-85 SHEET 1 OF 2 |

NEXT ASSY