

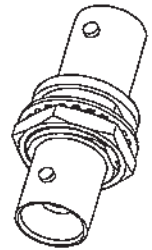
DASH NO	MODEL NO	Ω
-1	BJ228	50
-2	UBJ228	75

DATA CONTAINED IN THIS DOCUMENT IS PROPRIETARY TO TROMPETER ELECTRONICS INC. AND SHALL NOT BE DISCLOSED, COPIED OR USED FOR PROMOTION OR MANUFACTURE WITHOUT EXPRESS WRITTEN PERMISSION.

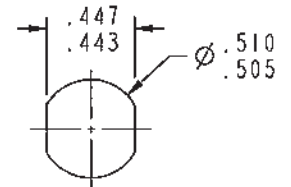
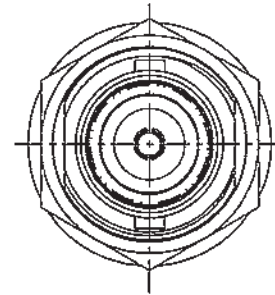
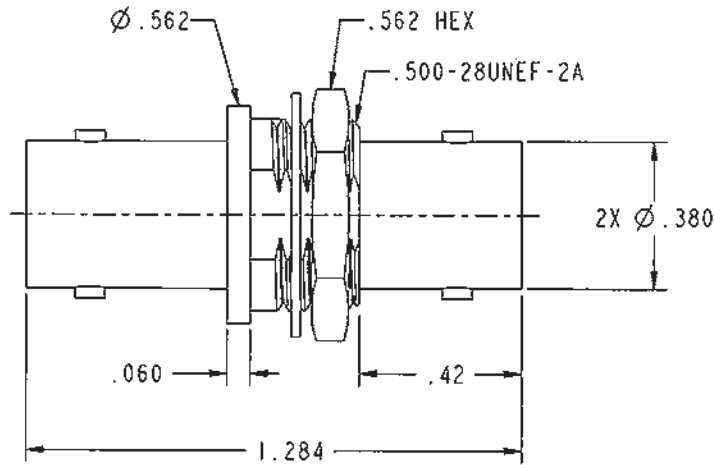
REVISIONS

REV	DESCRIPTIONS	DATE	APPROVED
C	REVISED PER ECO 14093	6-6-01	RAM.

RED INDICATES ORIGINAL



SCALE 1/1



RECOMMENDED PANEL CUTOUT
SCALE 1/1

3. SOCKET CONTACT COAXIAL BNC TYPE INSULATED FEED THRU BULKHEAD JACK, 50 AND 75 OHM VERSIONS

2. MAX PANEL THICKNESS: .156

1. FINISH: TFS-1Y (NICKEL)

NOTES: UNLESS OTHERWISE SPECIFIED.

INTERPRET DRAWING PER MIL-STD-100. DIMENSIONS ARE IN INCHES AND INCLUDE FINISH THICKNESS UNLESS OTHERWISE SPECIFIED.		TOL: UNLESS SPECIFIED. .XX ± .02 .XXX ± .010 ANGLE ± 1°	
MATERIAL:		FINISH:	
DRW JCM	6-5-01	SIZE A	CAGE CODE 14949
CHK RAM.	6/5/01	DRAWING NO.	105-2057
APPROVED RAM.	6/5/01	SCALE	2/1
PROTE FILE NO.	105-2057	DATE	6/13/00
NEXT ASSY		DO NOT SCALE DWG	SHEET 1C



TITLE: BJ228/UBJ228			
REV. C	REV. C	REV. C	REV. C