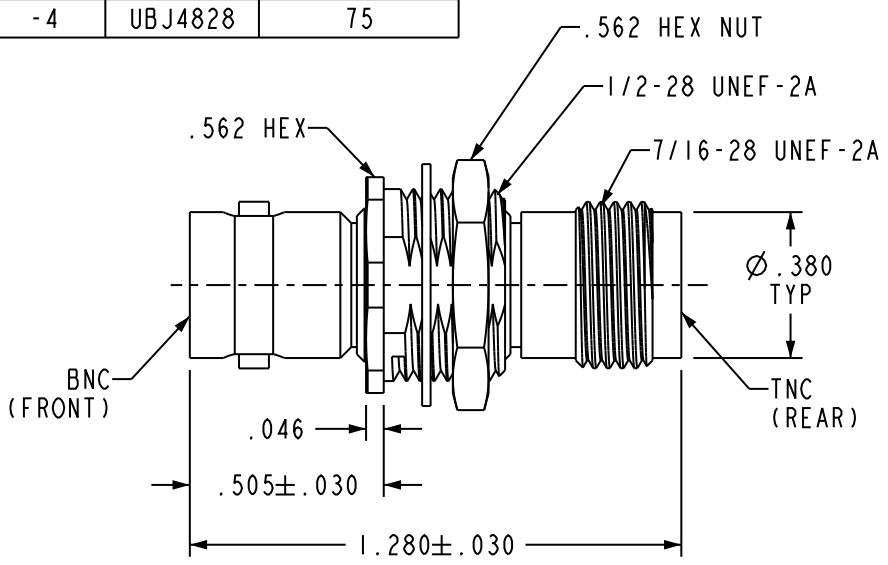


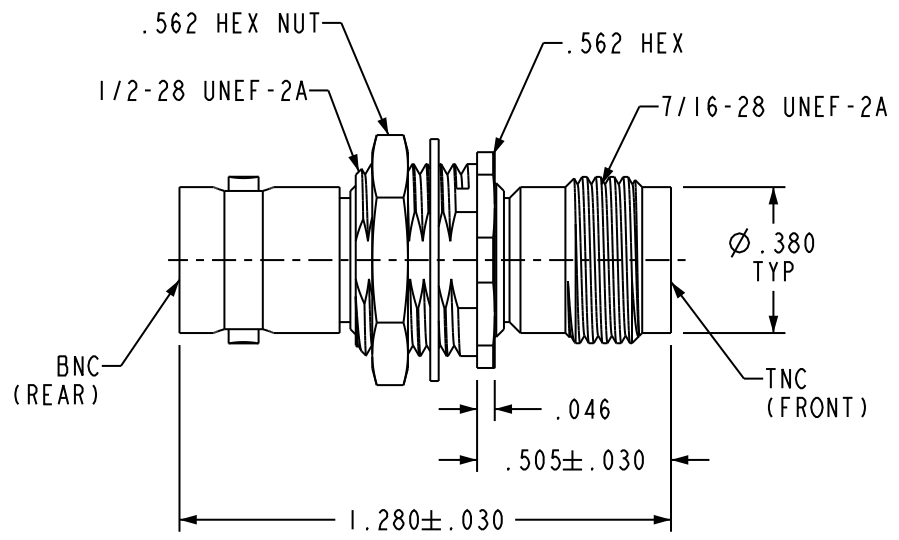
DASH #	MODEL #	IMPEDANCE Ω
-1	BJ2848	50
-2	UBJ2848	75
-3	BJ4828	50
-4	UBJ4828	75

DATA CONTAINED IN THIS DOCUMENT IS PROPRIETARY TO EMERSON CONNECTIVITY SOLUTIONS AND SHALL NOT BE DISCLOSED, COPIED OR USED FOR PROCUREMENT OR MANUFACTURE WITHOUT EXPRESS WRITTEN PERMISSION

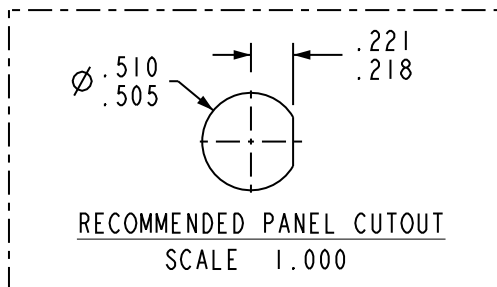
REVISIONS			
REV	DESCRIPTIONS	DATE	APPROVED
B	ECO 52951	1-26-11	T. KOHLER



- 1 & - 2 SHOWN




- 3 & - 4 SHOWN



3. SOCKET CONTACT COAXIAL BNC/TNC TYPE INSULATED FEED THRU BULKHEAD BOTH 50 & 75 OHM VERSION
2. MAX PANEL THK .156
1. FINISH: TFS-1A, (NICKEL)

NOTES: UNLESS OTHERWISE SPECIFIED.

INTERPRET DRAWING PER MIL-STD-100. DIMENSIONS ARE IN INCHES AND INCLUDE FINISH THICKNESS UNLESS OTHERWISE SPECIFIED.		TOL: UNLESS SPECIFIED. .XX ± .01 .XXX ± .003 .XXXX ± .0010 ANGLE ± 1° 00' CRITICAL		 Cinch Connectivity Solutions 299 Johnson Ave. Ste. 100 Waseca, MN 56093 1-800-247-8256	
DRN B. RYAN	4-8-11	MATERIAL:	TITLE: U/BJ2848 U/BJ4828		
CHK T. KOHLER	4-8-11	FINISH:	SIZE A	CAGE CODE 14949	DRAWING NO. 105-1049
QUALITY			SCALE 2/1	DATE 3-19-81	REV. B
MANUF		DO NOT SCALE DWG	SHEET 1	OF 2	
APPROVED					
SURFACE AREA	PROJ FILE NO. 105-1049				