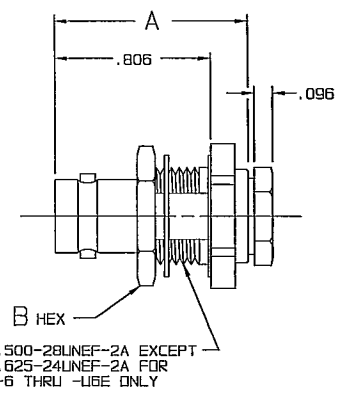


DATA CONTAINED IN THIS DOCUMENT IS PROPRIETARY TO TROMPETER ELECTRONICS INC. AND SHALL NOT BE DISCLOSED, COPIED OR USED FOR PROCUREMENT OR MANUFACTURE WITHOUT EXPRESS WRITTEN PERMISSION.

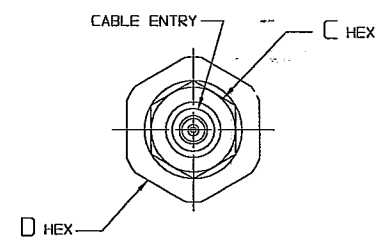
| REVISIONS | | | 1-0126 | | SH 1 |
|-----------|-------|-----------------------|--------|--------------|----------|
| REV | ECD | DESCRIPTION | DWN | APPROVED | DATE |
| U | 16244 | REVISED PER ECD 16244 | L.M. | <i>M.M.C</i> | 10/20/68 |

| DASH NO | FIG | CABLES ACCOMMODATED | A DIM | B HEX | C HEX | D HEX | E DIM | F DIA | ASSEMBLE PER |
|---------|-----|---------------------------|-------|-------|-------|-------|-------|-------|--------------|
| -1 | | RG-58, 142, 400 | | | | | | | |
| -U1 | | ESSEX 621-715 | | | | | | | |
| -2 | | RG-59 | | | | | | | |
| -U2 | | | | | | | | | |
| -2A | | BELDEN 8279 | | | | | | | |
| -U2A | | | | | | | | | |
| -2B | | W.E.CO. 730A | | | | | | | |
| -U2B | | | | | | | | | |
| -3 | 1,3 | RG-223 | 1.000 | .625 | .437 | .687 | .221 | .510 | |
| -U3 | | | | | | | .218 | .505 | |
| -3A | | RG-55 | | | | | | | |
| -U3A | | | | | | | | | |
| -4 | | RG-122 | | | | | | | |
| -U4 | | BELDEN 8218 | | | | | | | |
| -5 | | RG-174 | | | | | | | |
| -U5 | | RG-187 | | | | | | | |
| -5A | | RG-196 | | | | | | | |
| -U5A | | | | | | | | | |
| -5B | | HEWLETT-PACKARD 8120-1107 | | | | | | | |
| -U5B | | | | | | | | | |
| -6 | 1 | BELDEN 9231 | 1.030 | .750 | .500 | .750 | .284 | .635 | TAI-101 |
| -U6 | | | | | | | .281 | .630 | |
| -6E | | RG-5 | | | | | | | |
| -U6E | | RG-6 | | | | | | | |
| -21 | | RG-303, RG-141 | | | | | | | |
| -U21 | | | | | | | | | |
| -22 | | RG-180 | | | | | | | |
| -U22 | | | | | | | | | |
| -31 | | GRILMAN GC875GP1 | | | | | | | |
| -U31 | | RG-187 DBL SHLD | | | | | | | |
| -34 | 1,3 | BELDEN 8228 | 1.000 | .625 | .437 | .687 | .221 | .510 | |
| -U34 | | | | | | | .218 | .505 | |
| -36 | | 275-3991 MICRODOT | | | | | | | |
| -U36 | | 616-569 AMPEX | | | | | | | |
| -37 | | B10 RAYCHEM | | | | | | | |
| -U37 | | | | | | | | | |
| -41 | | RG-304 | | | | | | | |
| -U41 | | 9248 BELDEN | | | | | | | |
| -44 | | BRAND-REX B749 | | | | | | | |
| -U44 | | GORE C06C032 | | | | | | | |
| -51 | 1 | 88281 BELDEN | 1.030 | .750 | .500 | .750 | .284 | .635 | |
| -U51 | | | | | | | .281 | .630 | |
| -52 | | 89120 BELDEN | | | | | | | |
| -U52 | | | | | | | | | |
| -53 | 1,3 | 89555 BELDEN | | | | | | | |
| -U53 | | | | | | | | | |
| -63 | | 734A, AT&T | | | | | | | |
| -U63 | | | 1.000 | .625 | .437 | .687 | .221 | .510 | |
| -086 | | | | | | | | | |
| -U086 | | RG-405 | | | | | | | |
| -141 | 2 | RG-402 | | | | | | | TAI-130 |
| -U141 | | | | | | | | | |

FIG 1
-1 SHOWN

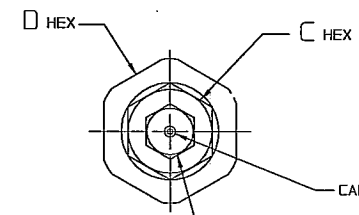
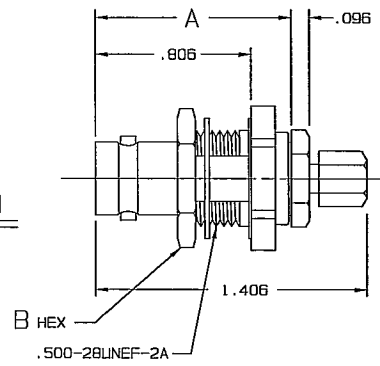


RED INDICATES ORIGINAL



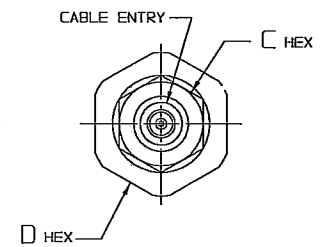
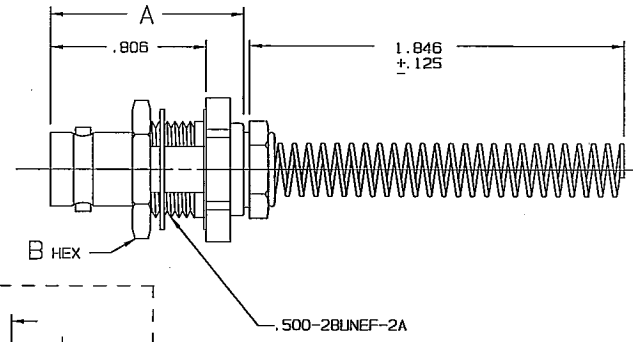
| INCH | MM |
|-------|-------|
| .005 | 0.13 |
| .096 | 2.44 |
| .125 | 3.18 |
| .218 | 5.54 |
| .221 | 5.61 |
| .250 | 6.35 |
| .281 | 7.14 |
| .284 | 7.21 |
| .312 | 7.92 |
| .437 | 11.10 |
| .500 | 12.70 |
| .505 | 12.83 |
| .510 | 12.95 |
| .625 | 15.88 |
| .630 | 16.00 |
| .635 | 16.13 |
| .687 | 17.45 |
| .750 | 19.05 |
| .806 | 20.47 |
| 1.000 | 25.40 |
| 1.030 | 26.16 |
| 1.406 | 35.71 |
| 1.846 | 46.89 |

FIG 2
-086 SHOWN



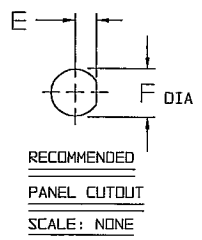
.250 HEX (-086, -U086)
.312 HEX (-141, -U141)

FIG 3
-1 SHOWN



IF BEND RELIEF SPRING REQUIRED (FIG 3) ADD SUFFIX "BR" TO MODEL NO (NOT AVAILABLE WITH CABLE GROUPS -6, -U6, -6E, -U6E, -51, -U51, -52, -U52, -63, -U63, -086, -U086, -141 & -U141)

5. FEMALE TYPE BNC COAXIAL BULKHEAD JACKS, BOTH 50 & 75 OHM VERSIONS
4. MAX PANEL THK .218
3. DASH NO DENOTES CABLE GROUP EXCEPT "U" PREFIX DENOTES 75 OHM VERSION
2. FINISH: TFS-1A (NICKEL)
1. ALL DIM ARE IN INCHES



| QTY | DESCRIPTION | PART NUMBER | ITEM |
|----------|------------------------|-----------------------------|----------------|
| 155-0347 | TOL UNLESS SPECIFIED | | |
| 155-0338 | .xx ± | | |
| 155-0297 | .xxx ± .005 | | |
| 155-0280 | .xxx ± | | |
| 105-1016 | ANGLE ± | | |
| 105-1004 | DWN L.M. 10-5-06 | TROMPETER ELECTRONICS, INC. | BJ29/UBJ29 |
| 105-0158 | CHK <i>gl 10-6-68</i> | 14949 | BJ29BR/UBJ29BR |
| 110-0003 | ENGR | 1-0126 | |
| 105-0717 | APPR <i>Am 10/6/68</i> | 1-0126 | |
| | NEXT ASSY | 14949 | |
| | | 1-0126 | |
| | | 14949 | |

SCALE 2/1 DATE 12/31/68 SHEET 1 OF 2