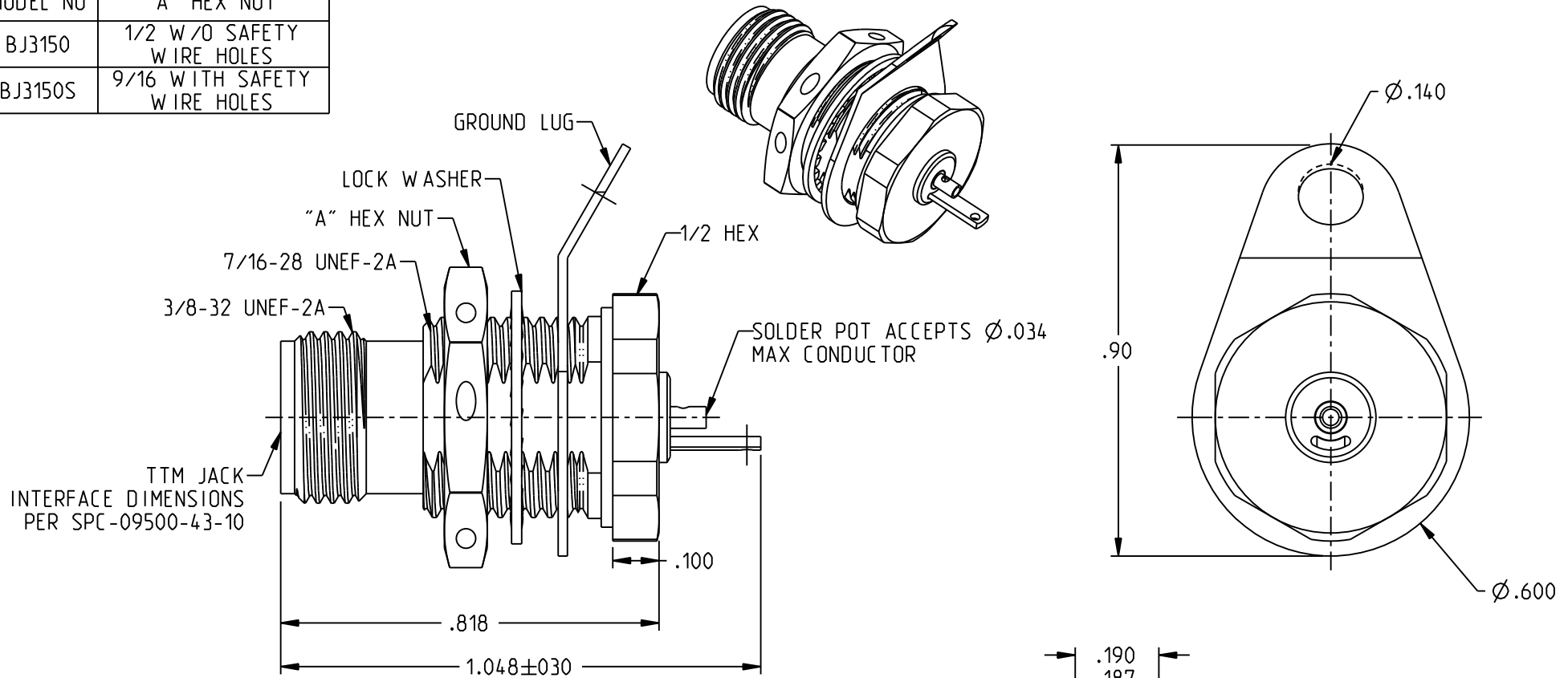


MODEL NO	"A" HEX NUT
BJ3150	1/2 W/O SAFETY WIRE HOLES
BJ3150S	9/16 WITH SAFETY WIRE HOLES



BJ3150S SHOWN

NOTES: UNLESS OTHERWISE SPECIFIED.

1. MATERIALS & FINISH:

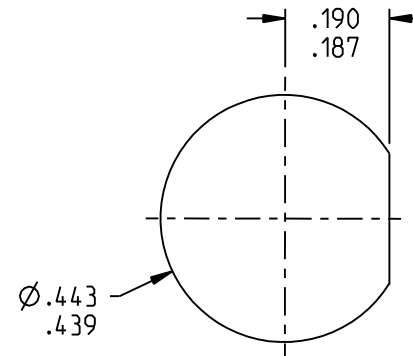
- 1.1 BODY: NICKEL PLATED BRASS
- 1.2 OUTER INSULATOR: PTFE
- 1.3 DIELECTRIC: PTFE (TEFLON)
- 1.4 CENTER CONTACT: GOLD PLATED BERYLLIUM COPPER
- 1.5 INTERMEDIATE CONTACT: GOLD PLATED BRASS.
- 1.6 GASKET: SILICONE RUBBER
- 1.7 MOUNTING HARDWARE: NICKEL PLATED COPPER ALLOY

2. ELECTRICAL:

- 2.1 IMPEDANCE: NON-CONSTANT
- 2.2 FREQUENCY (MAX): 500 MHZ

3. OTHER:

- 3.1 PANEL NUT TORQUE (MAX): 35 IN-LBS
- 3.2 PANEL THICKNESS (MAX): .250



RECOMMENDED PANEL CUTOUT

		TROMPETER		
	RoHS2 <input checked="" type="checkbox"/> 2011/65/EU <small>UNLESS OTHERWISE SPECIFIED UNITS: INCH</small>	Title: TTM BULKHEAD JACK, SOLDER POT		Model No. BJ3150X
<small>This PROPRIETARY Document is property of Cinch Connectivity Solutions. It is confidential in nature, non-transferable, and issued with the clear understanding that it is no traced or copied without permission and is returnable upon demand.</small>	.XX ±.02 .XXX ±.010 ANGLES ±2°	Size A DO NOT SCALE DRAWING	Date: 5/9/2016	Sheet 1 OF 1
<small>INTERPRET DRAWING IN ACCORDANCE WITH ASME Y14.5-2009.</small>				