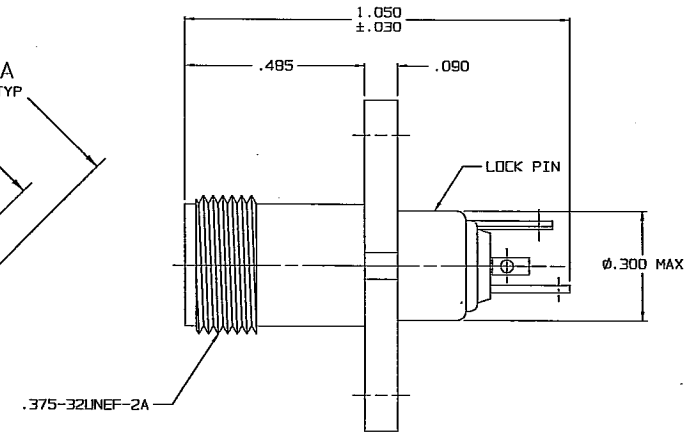
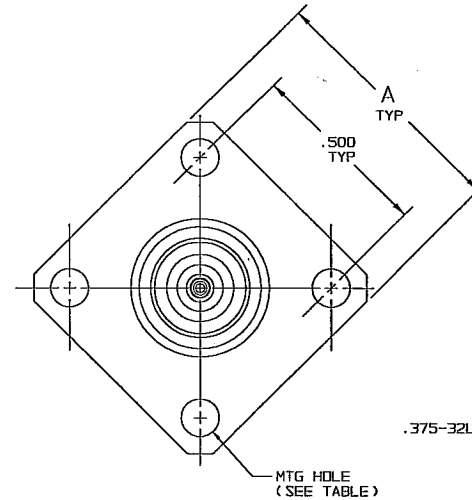
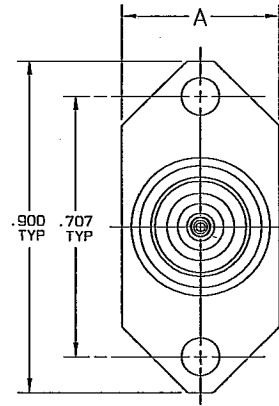


DATA CONTAINED IN THIS DOCUMENT IS
 PROPRIETARY TO TROMPETER ELECTRONICS, INC.
 AND SHALL NOT BE DISCLOSED, COPIED OR USED
 FOR REPRODUCTION OR MANUFACTURE WITHOUT
 EXPRESS WRITTEN PERMISSION OF TROMPETER
 ELECTRONICS, INC.

REVISIONS		3-0257	SH 1
REV	DESCRIPTION	DATE	APPROVED
F	REVISED PER ECO 16261	1/24/07	MUC

DASH NO	MODEL NO	MTG HOLE		A DIM
		TYPE	DESCRIPTION	
-2C	BJ3157F-2C	CL	.103 DIA	.425
-2T	BJ3157F-2T	THD	4-40UNC-2B	
-4C	BJ3157F-4C	CL	.103 DIA	.687
-4T	BJ3157F-4T	THD	4-40UNC-2B	
-2CS	BJ3157F-2CS	CL	.103 DIA	.425
-2TS	BJ3157F-2TS	THD	4-40UNC-2B	
-4CS	BJ3157F-4CS	CL	.103 DIA	.687
-4TS	BJ3157F-4TS	THD	4-40UNC-2B	



6. EXAMPLE OF COMPLETE MODEL NUMBER:

BJ3157F - 2 C S
 BASIC PART NUMBER | NUMBER OF HOLES | INCLUDE, PANHEAD, #4-40 SCREWS (OPTIONAL)
 C: CLEAR
 T: THREADED

1. ALL DIM ARE IN INCHES
2. FINISH: TFS-1A (NICKEL)
3. MAX PANEL THK .187
4. SOLDER POT ACCEPTS .026 DIA CONDUCTOR
5. FEMALE SUBMINIATURE CONCENTRIC TWINAX/TRIAX SOLDER POT 2 AND 4 HOLE FLANGE MOUNT BULKHEAD JACK (TTM STYLE)

RED INDICATES ORIGINAL

PREPARE DRAWING PER: ISO-1572 DIMENSIONS ARE IN INCHES NO UNLESS FROM TROMPETER UNLESS OTHERWISE SPECIFIED		FIN.: UNLESS SPECIFIED: .XXX .XXX .XXX ANGLES		
DRAWN: L.H. DESIGNED: [Signature] CHECKED: [Signature] DATE: 1-23-07	MATERIAL: FINISH:	TITLE: BJ3157F		
NEXT ASSY:	DATE: 1/23/07	SIZE: B CAGE CODE: 14949	DRAWING NO.: 3-0257	REV.: F
DO NOT SCALE DIMS		SCALE: NONE	DATE: 8-6-81	SHEET: 1C