

# RED INDICATES ORIGINAL

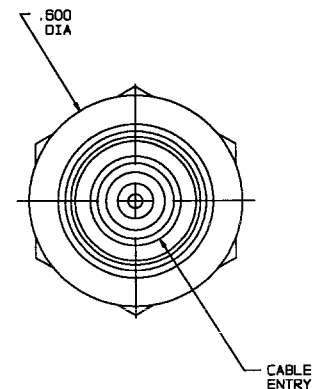
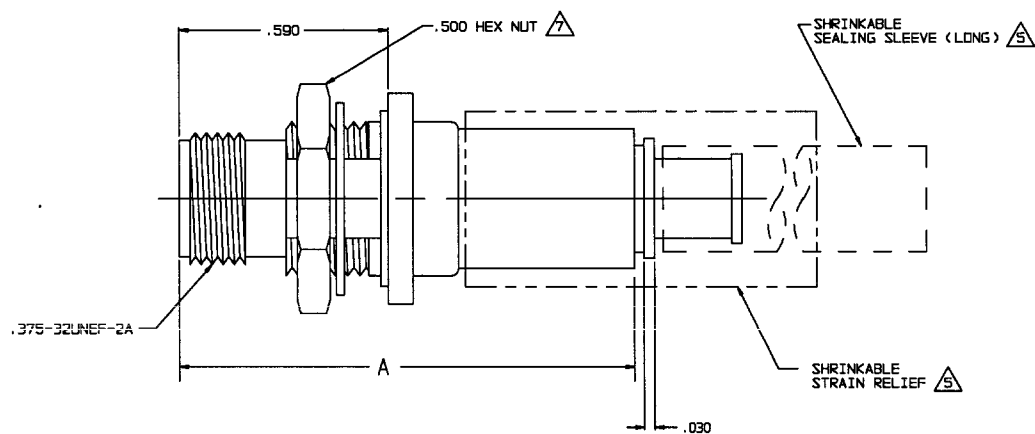
| DASH NO | CABLES ACCOMMODATED  | A DIM | B HEX | ASSEMBLE PER |
|---------|----------------------|-------|-------|--------------|
| -201    | M17/176-00002        |       |       |              |
| -202    | TWC-78-1             |       |       |              |
| -203    | TWC-124-1A           | 1.164 | .255  | TAI-143      |
| -204    | 10602, RAYCHEM       |       |       |              |
| -205    | TWAC-78-1F2          |       |       |              |
| -206    | 7826D0130, RAYCHEM   |       |       |              |
| -207    | 83310 BELDEN         | 1.289 | .344  | TAI-167      |
| -208    | 202-3927 MICRODOT    |       |       |              |
| -208    | 202-3942 MICRODOT    | 1.164 | .255  | TAI-143      |
| -210    | 8451 BELDEN          |       |       | TAI-167      |
| -211    | 202-3934 MICRODOT    |       |       |              |
| -212    | 2524E0114, RAYCHEM   |       |       |              |
| -213    | TWC-78-2             | 1.289 | .344  | TAI-144      |
| -214    | TWC-124-2            |       |       |              |
| -215    | BL-982 TIMES         |       |       |              |
| -216    | BL-1242 TIMES        |       |       |              |
| -217    | GC875TM24H, GRUMMAN  |       |       |              |
| -218    | EPD 22188B, RAYCHEM  |       |       |              |
| -219    | 2526D1114, RAYCHEM   |       |       |              |
| -220    | GC875RR1, GRUMMAN    | 1.164 | .255  | TAI-143      |
| -221    | 10614, RAYCHEM       |       |       |              |
| -222    | 10613, RAYCHEM       |       |       |              |
| -223    | HMS2-1149, HUGHES    |       |       |              |
| -224    | TWCP-124-3           | 1.289 | .344  | TAI-144      |
| -225    | PS66SPL, PRIME STOCK |       |       |              |

| DASH NO | CABLES ACCOMMODATED                     | A DIM | B HEX | ASSEMBLE PER |
|---------|---|-------|-------|--------------|
| -301    | GC875GC1, GRUMMAN                       |       |       |              |
| -302    | GC875GB1, GRUMMAN<br>5022E5111, RAYCHEM | 1.164 | .255  | TAI-157      |
| -303    | 7528A5314, RAYCHEM                      |       |       |              |
| -304    |   |       |       |              |
| -305    | M17/177-00001/295-3804 MICRODOT         |       |       |              |
| -308    | TRC-50-2<br>M17/134-00002               | 1.289 | .344  | TAI-173      |
| -307    | TRC-75-1                                |       |       | TAI-198      |
| -308    | TRC-75-2                                |       |       | TAI-173      |
| -309    | TRC-50-1                                | 1.164 | .255  | TAI-157      |

DATA CONTAINED IN THIS DOCUMENT IS PROPRIETARY TO TROMPETER ELECTRONICS, INC. AND SHALL NOT BE DISCLOSED, COPIED OR USED FOR REPRODUCTION OR MANUFACTURE WITHOUT EXPRESS WRITTEN PERMISSION.

| REV |       | ED    | DESCRIPTION          | DWN | APPROVED | DATE   |
|-----|-------|-------|----------------------|-----|----------|--------|
| L   | 12390 | ADDED | -224 & -225; SEE ECO | DBN | IAM      | 5/5/98 |

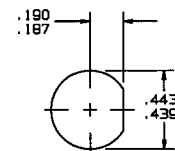
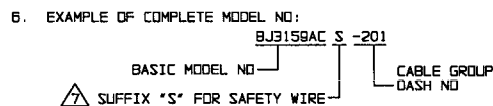
| INCH  | MM    |
|-------|-------|
| .005  | 0.13  |
| .030  | 0.76  |
| .125  | 3.18  |
| .187  | 4.75  |
| .190  | 4.83  |
| .255  | 6.48  |
| .344  | 8.74  |
| .439  | 11.15 |
| .443  | 11.25 |
| .500  | 12.70 |
| .590  | 14.99 |
| .600  | 15.24 |
| 1.00  | 25.40 |
| 1.164 | 29.57 |
| 1.25  | 31.25 |
| 1.289 | 32.74 |
| 1.75  | 44.45 |



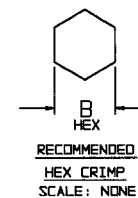
- 1** SHRINKABLE STRAIN RELIEF AND/OR SHRINKABLE SEALING SLEEVE SUPPLIED LOOSE AS FOLLOWS:
- CABLE GROUPS -207, -210 & -307:
    - 1 SHRINKABLE STRAIN RELIEF (1.00 LONG)
    - 1 SHRINKABLE SEALING SLEEVE (1.25 LONG)
  - CABLE GROUPS -201 THROUGH -206, -208, -209, -217 THROUGH -223, -301, -302, -303 & -309:
    - 1 SHRINKABLE SEALING SLEEVE (1.25 LONG)
  - CABLE GROUPS -211 THROUGH -216, -305, -306 & -308:
    - 1 SHRINKABLE STRAIN RELIEF (1.75 LONG)
4. MAX PANEL THK .125
3. THREADED SUBMINIATURE CONCENTRIC TWINAX (4 PIECE ASSY) AND TRIAX (6 PIECE ASSY) FULL CRIMP NONINSULATED BULKHEAD MOUNT RECEPTACLE
2. FINISH: TFS-1A (NICKEL)
1. ALL DIMENSIONS ARE IN INCHES

**-207 SHOWN**

**IF SAFETY WIRE TYPE REQUIRED ADD SUFFIX "S" TO MODEL NO (SAFETY WIRE NUT SIZE WILL BE .564)**



RECOMMENDED  
PANEL CUTOUT  
SCALE: NONE



| QTY   | DESCRIPTION                        | PART NUMBER            | ITEM          |
|---|------------------------------------|------------------------|---------------|
| TOL UNLESS SPECIFIED<br>.XX ±.03<br>.XXX ±.005<br>.XXXX | <b>TROMPETER ELECTRONICS, INC.</b> | BJ3159AC/<br>BJ3159ACS |               |
| DWN DBN 4/11/98   | MATERIAL                           | CODE IDENT             | DRAWING NO.   |
| CHK IAM 4-17-98   |                                    | <b>14949</b>           | <b>3-0234</b> |
| ENGR  | SCALE 4/1                          | DATE 5-31-85           | REV L         |
| APPR IAM 5/18/98  |                                    |                        | SHEET 1 OF 2  |