

RED IS ORIGINAL

DISK # DWG SIZE DATA CONTAINED IN THIS DOCUMENT IS PROPRIETARY TO TROMPETER ELECTRONICS, INC. AND SHALL NOT BE DISCLOSED, COPIED OR USED FOR PROCUREMENT OR MANUFACTURE WITHOUT EXPRESS WRITTEN PERMISSION.

H 4 C

REV		EO	DESCRIPTION	3-0123	SH 1
				DWN	APPROVED
					DATE
E	10049		PICTORIALLY CHANGED 1.00 FLAISED SEALING SLEEVE TO STRAIGHT (1.25) LONG SEALING SLEEVE; GENERAL UPDATE	DKC	<i>DKC</i> 12/15/92

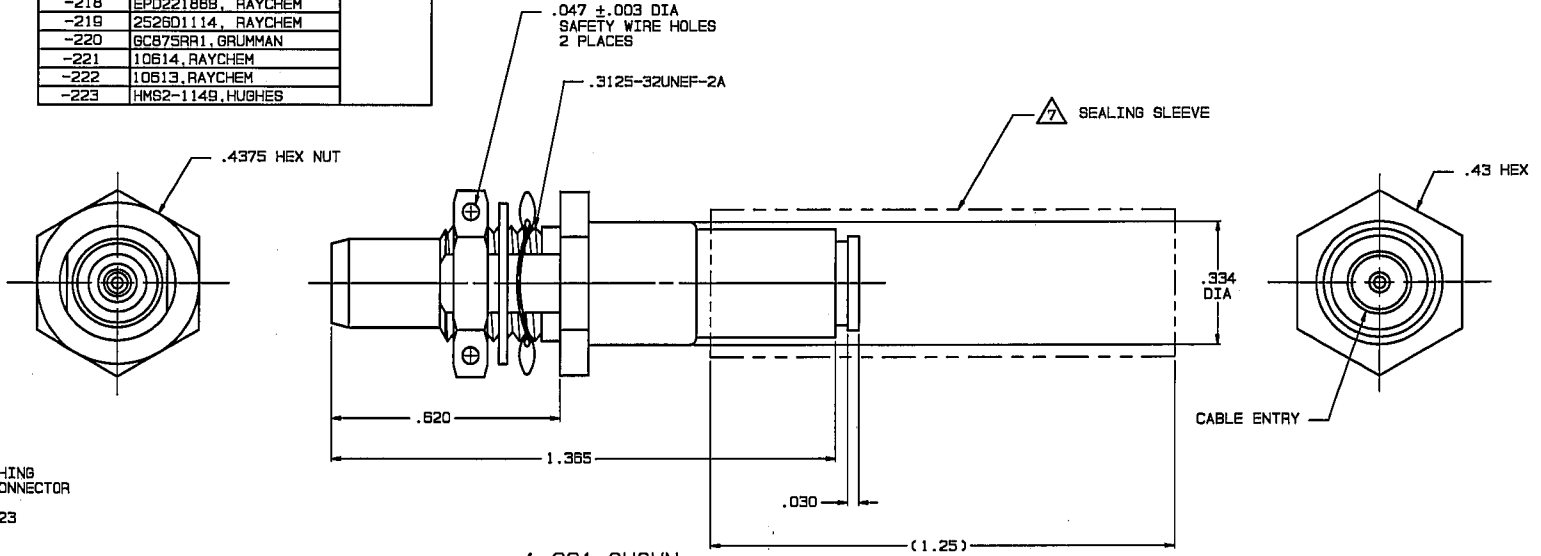
TABLE 1

DASH NO	MODEL NO	CENTER CONTACT/INTMD CONTACT TYPE
-1	BJ3459AC P	SOCKET/PIN
-2	BJ3459AC S	PIN/SOCKET

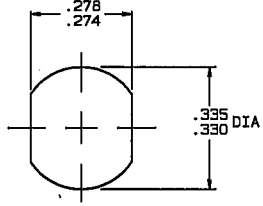
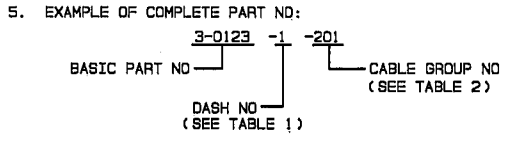
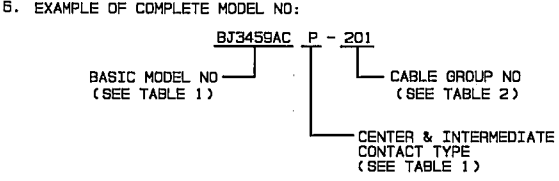
TABLE 2

CABLE GROUP NO	CABLES ACCOMMODATED	ASSEMBLE PER
-201	M17/176-00002	TAI-162
-202	TWC-78-1, TROMPETER	
-203	TWC-124-1A, TROMPETER	
-204	10602, RAYCHEM	
-205	TWAC-78-1F2, TROMPETER	
-206	7826DD130, RAYCHEM	
-208	202-3927, MICRODOT	
-209	202-3942, MICRODOT	
-212	2524E0114, RAYCHEM	
-217	9CB75TM24H, GRUMMAN	
-218	EPD221868, RAYCHEM	
-219	2526D1114, RAYCHEM	
-220	9CB75RR1, GRUMMAN	
-221	10614, RAYCHEM	
-222	10613, RAYCHEM	
-223	HMS2-1149, HUGHES	

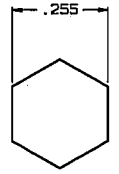
INCH	MM
.003	0.08
.0050	0.13
.010	0.25
.030	0.76
.047	1.19
.125	3.18
.255	6.48
.274	6.96
.278	7.05
.330	8.38
.334	8.48
.335	8.51
.43	10.92
.4375	11.11
.620	15.75
1.00	25.40
1.365	34.67



-1-221 SHOWN



RECOMMENDED
PANEL CUTOUT



RECOMMENDED
HEX CRIMP

4. MAX PANEL THK .125
3. CONCENTRIC TWINAX 4 PCE ASSY, FULL CRIMP NONINSULATED BULKHEAD MOUNT RECEPTACLE, SOCKET CENTER CONTACT AND PIN INTERMEDIATE CONTACT OR PIN CENTER CONTACT AND SOCKET INTERMEDIATE CONTACT
2. FINISH: TFS-1U (500 HOURS SALT SPRAY; NICKEL)
1. ALL DIM ARE IN INCHES

QTY	DESCRIPTION	PART NUMBER	ITEM
TOL UNLESS SPECIFIED XX ± .05 XXX ± .010 XXXX ± .0050 ANGLES ±	TROMPETER ELECTRONICS, INC.	BJ3459ACP/S	
DWN DKC 12-7-92	MATERIAL CODE IDENT	DRAWING NO.	REV
CHK <i>DKC</i> 12-7-92	14949	3-0123	E
ENGR <i>DKC</i>			
APPR <i>DKC</i> 12-15-92	SCALE 4/1	DATE 10-7-87	SHEET 1 OF 2