

HERMETICALLY SEALED CONNECTORS

Concentric Twinax/Triax

Hermetic seals *prevent leakage* through the bulkhead from *inside* of the connector. Trompeter's miniature size hermetically sealed connectors include the feed-through BJ78HS, the front mounted BJ77HS, the rear mounted BJ79HS and the newly designed threaded BJ379HS. In the subminiature size we offer the front mounted BJ157HS and BJ157FLHS (four lug version). The BJ3150HS and BJ3150SHS offer a threaded rear mount version with a safety wire option. These connectors are designed for bulkhead mounting in vacuum chambers, or where toxic and other gases are present. These connectors have leakage rates of 1×10^{-8} atm cc/second. The 150 Series have leakage rates of 1×10^{-6} atm cc/ second.



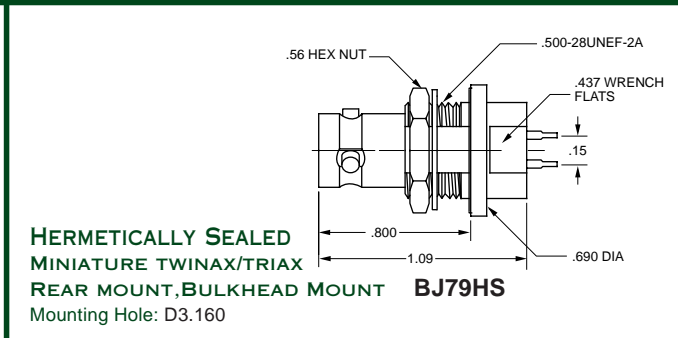
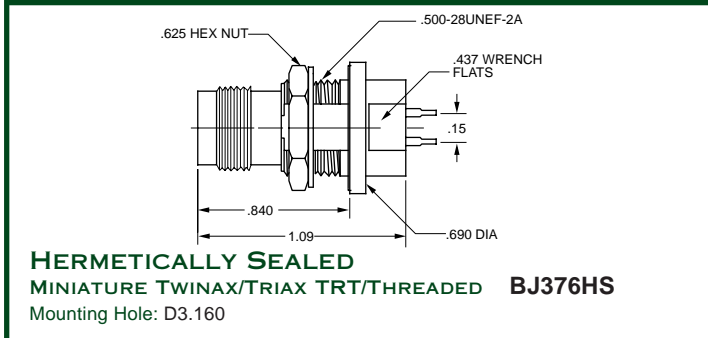
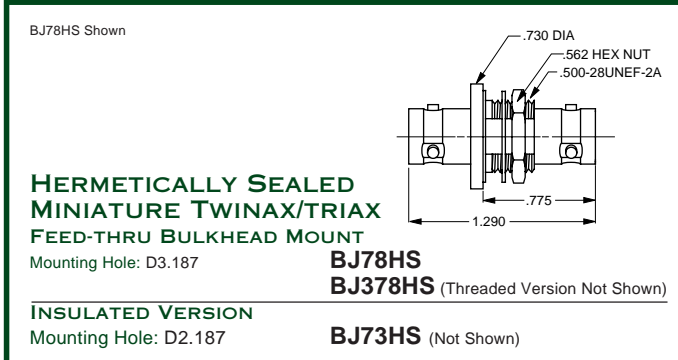
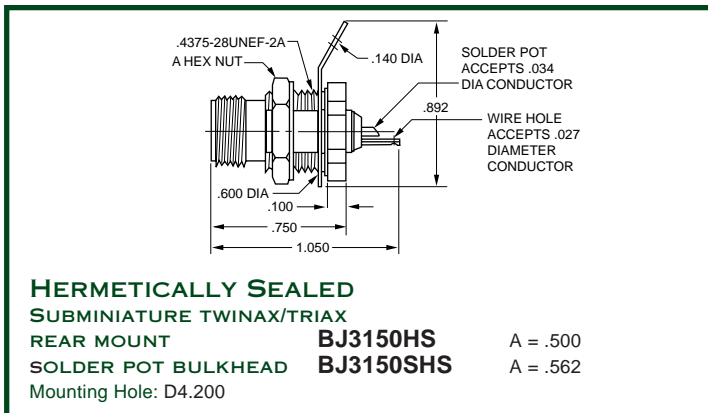
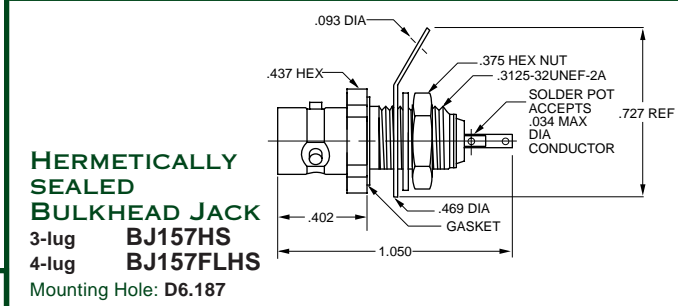
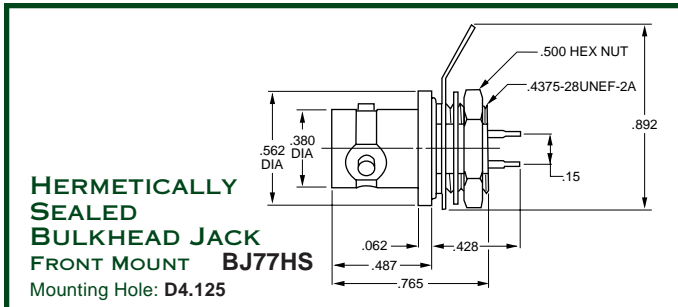
FEATURES

- ▲ Standard TRB/MIL-C-49142
- ▲ Glass to Metal Seals
- ▲ Sustains Extreme Temperature Ranges
- ▲ Standard Brass Body
- ▲ Gold Plated Contacts

BENEFITS

- ▲ The Most Mechanical and Environmentally Reliable Method
- ▲ Wide Range of Application Usage
- ▲ More Cost Effective than Stainless Steel
- ▲ Reliable Connections

They all meet MIL-C-49142 specifications. Standard non-hermetic connector types such as the BJ78 could leak between the contacts and dielectrics. Hermetically sealed connectors can be used in commercial, military, and industrial applications where toxic gas maybe present. Hermetic connectors are highly beneficial in reactors, gas/petro plants, oil drilling sites, liquid test and measurement, and space applications. They are reliable under the most severe atmospheric conditions.



Note: Only a select few of our hermetically sealed connectors are shown here. Contact the factory for more information. "D" Mounting holes see page 54