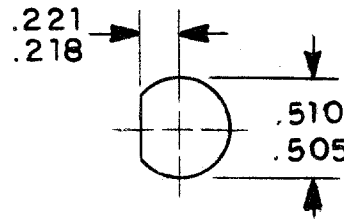
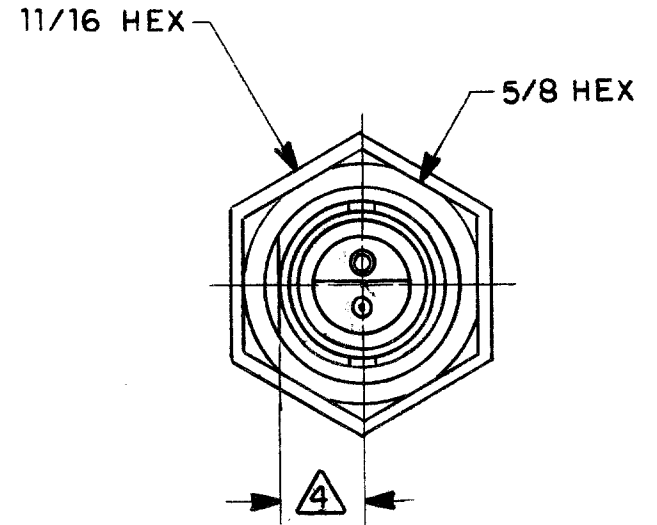
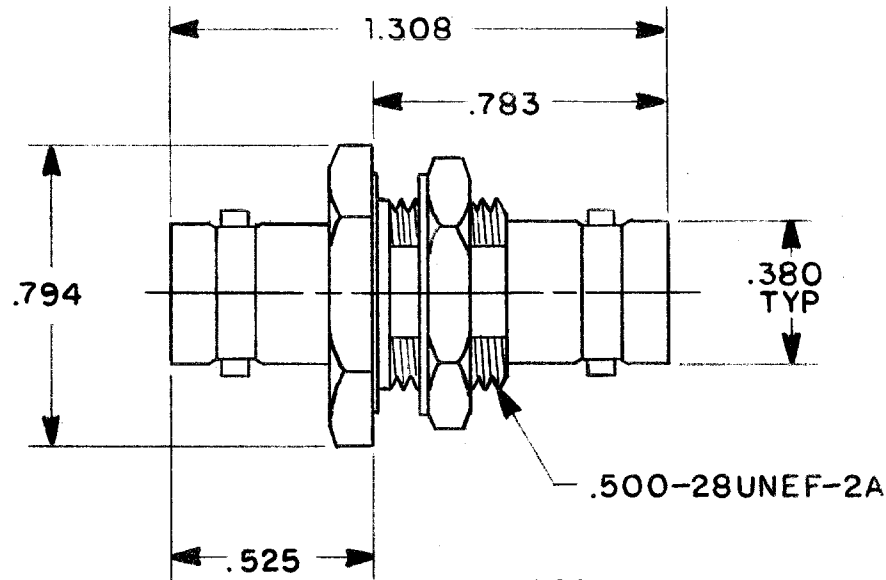


DATA CONTAINED IN THIS DOCUMENT IS PROPRIETARY TO TROMPETER ELECTRONICS INC. AND SHALL NOT BE DISCLOSED, COPIED OR USED FOR PROCUREMENT OR MANUFACTURE WITHOUT EXPRESS WRITTEN PERMISSION.

REVISIONS

2000-0005 SH 1

REV	EO	DESCRIPTION	DWN	APPROVED	DATE
B	5903	REV & REDWN	JEB	<i>JEB</i>	7-18-83
C	6248	REV P/L, ITEM 2 WAS 8000-0594	CMF	<i>CMF</i>	3-13-84



RECOMMENDED
PANEL CUTOUT
SCALE: NONE

INCH	MM
.160	4.06
.218	5.54
.221	5.61
.380	9.65
.505	12.83
.510	12.95
.525	13.34
.783	19.17
.794	20.17
1.308	33.22

△ CONTACTS, INSULATOR & "D" FLAT SHALL BE ORIENTED WITHIN $\pm 3^\circ$ OF ORIENTATION SHOWN

3. MAX PANEL THK .160
2. FINISH: TFS-1A (NICKEL)
1. ALL DIM ARE REF IN INCHES

NEXT ASSY

QTY	DESCRIPTION	PART NUMBER	ITEM
TOL UNLESS SPECIFIED .XX ± .XXX ± .XXXX ± ANGLES ±	TROMPETER ELECTRONICS, INC.	BJ38	
DWN JEB 6-16-83	MATERIAL	CODE IDENT	DRAWING NO.
CHK JC 6-27-83		14949	2000-0005
ENGR TN 7-14-83			REV C
APPR <i>[Signature]</i> 3-13-84	SCALE 2/1	DATE 12-21-65	SHEET 1 OF 2