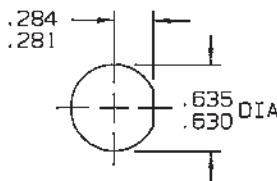
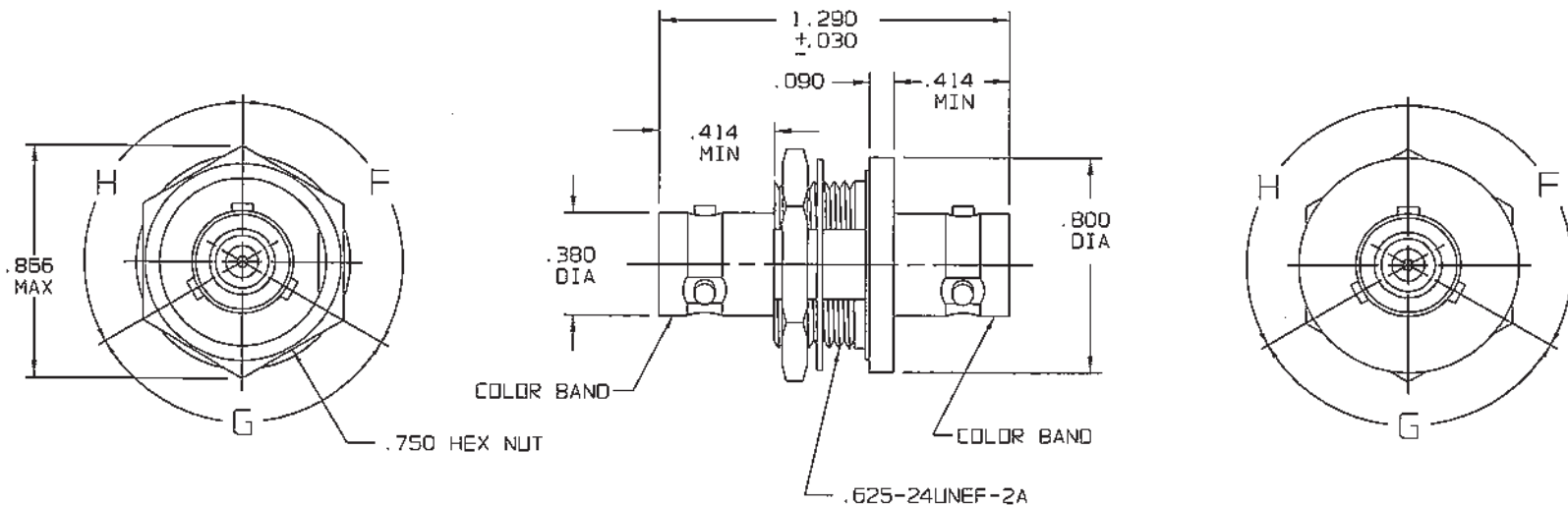


POLARIZATION CHART				
KEYING LETTER	F DEGREES	G DEGREES	H DEGREES	COLOR BAND
T	100°	150°	110°	RED
U	120°	130°	110°	ORANGE
V	115°	130°	115°	YELLOW
W	125°	110°	125°	GREEN
X	130°	100°	130°	BLUE
Y	110°	140°	110°	VIOLET
Z	100°	160°	100°	GRAY
S	135°	135°	90°	WHITE
NONE	120°	120°	120°	NONE

DATA CONTAINED IN THIS DOCUMENT IS PROPRIETARY TO TROMPETER ELECTRONICS INC. AND SHALL NOT BE DISCLOSED, COPIED OR USED FOR PROCUREMENT OR MANUFACTURE WITHOUT EXPRESS WRITTEN PERMISSION OF TROMPETER ELECTRONICS INC.

REVISIONS		3-0057	SH 1
REV	DESCRIPTION	DATE	APPROVED
G	REVISED PER ECD 14834	12-5-02	AAH

RED INDICATES ORIGINAL



RECOMMENDED
PANEL CUTOUT
SCALE: NONE

5. EXAMPLE OF COMPLETE MODEL NO:
BJ73 T
BASIC MODEL NO ———
POLARIZATION LETTER ———

4. CONCENTRIC TWINAX/TRIAX 3-LUG
BAYONET FEED THRU INSULATED
BULKHEAD RECEPTACLE

3. MAX PNL THK .187

2. FINISH: TFS-1A (NICKEL)

1. ALL DIM ARE IN INCHES

DRAWING PER MIL-STD-100 DIMENSIONS ARE IN INCHES AND INCLUDE FINISH THICKNESS UNLESS OTHERWISE SPECIFIED		TOL: UNLESS SPECIFIED .XX .XXX ± .005 .XXXX		 a cinch connectivity solutions brand	
DRAWN AAH	DATE 12-2-02	MATERIAL:	ANGLES:		
CHECKED DD	DATE 12/4/02	TITLE: BJ73		SIZE A	EAGE CODE 14949
QUANTITY MIN	DATE 5 DEC 02	DRAWING NO. 3-0057		SCALE NONE	REV. G
APPROVED AAH	DATE 12/5/02	DATE: 2-5-81		SHEET 1C	
NEXT ASSY	CAD FILE NO. 3-0057G	DD NOT SCALE DWG			