

DATA CONTAINED IN THIS DOCUMENT IS PROPRIETARY TO TROMPETER ELECTRONICS INC. AND SHALL NOT BE DISCLOSED, COPIED OR USED FOR PROCUREMENT OR MANUFACTURE WITHOUT EXPRESS WRITTEN PERMISSION.

DWG SIZE  
**A**

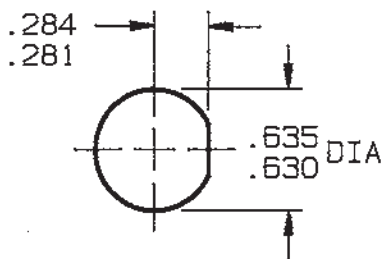
DISK #  
H10

REVISIONS

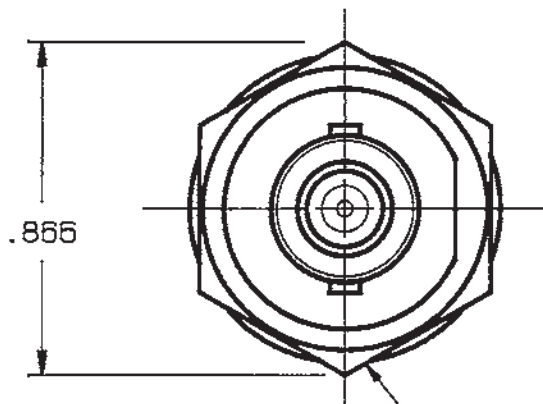
**3-0215**

SH 1

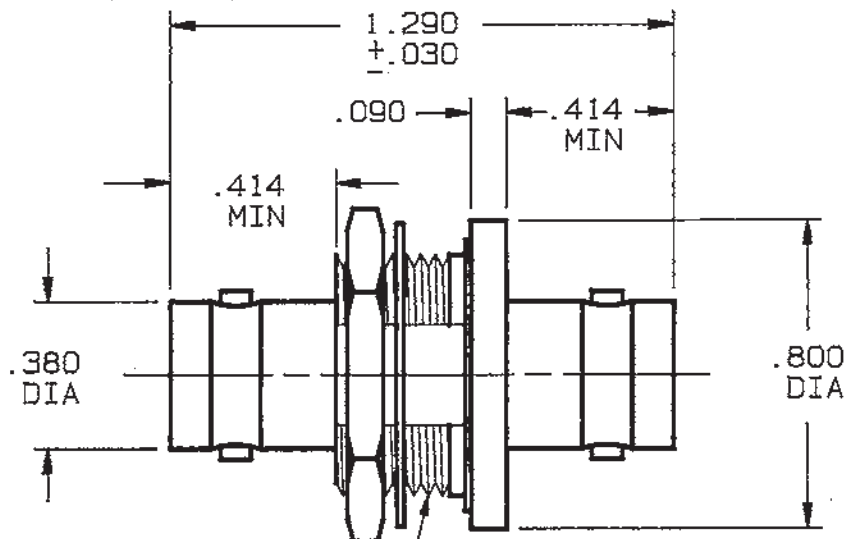
| REV | EO   | DESCRIPTION                     | DWN | APPROVED            | DATE     |
|-----|------|---------------------------------|-----|---------------------|----------|
| B   | 9058 | SHT 2 ADDED END VIEW AND NOTE ① | J S | E.E.; DM; <i>RF</i> | 11-16-90 |



RECOMMENDED  
PANEL CUTOUT  
SCALE: NONE



.750 HEX NUT



.625-24UNEF-2A

| INCH  | MM    |
|-------|-------|
| .005  | 0.13  |
| .030  | 0.76  |
| .090  | 2.29  |
| .140  | 3.56  |
| .281  | 7.14  |
| .284  | 7.21  |
| .380  | 9.65  |
| .414  | 10.52 |
| .630  | 16.00 |
| .635  | 16.13 |
| .750  | 19.05 |
| .800  | 20.32 |
| .866  | 22.00 |
| 1.290 | 32.77 |

4. FEMALE 50 OHM CONCENTRIC TWINAX/TRIAX 2-LUG BAYONET FEED THRU INSULATED BULKHEAD RECEPTACLE

3. MAX PNL THK .140

2. FINISH: TFS-1A (NICKEL)

1. ALL DIM ARE IN INCHES

| QTY                                       | DESCRIPTION |          | PART NUMBER               | ITEM         |
|---|-------------|----------|---------------------------|--------------|
| TOL UNLESS SPECIFIED                      |             |          | BJ73TL                    |              |
| .XX ±<br>.XXX ± .005<br>.XXXX±<br>ANGLES± |             |          |                           |              |
| DWN                                       | J S         | 11/13/90 | MATERIAL                  | CODE IDENT   |
| CHK                                       | E.E.        | 11-14-90 | —                         | 14949        |
| ENGR                                      | DM          | 11-15-90 | SCALE 2/1                 | DATE 5/21/84 |
| APPR                                      | RF          | 11-15-90 | DRAWING NO. <b>3-0215</b> |              |
| NEXT ASSY                                 |             |          | REV <b>B</b>              |              |
|   |             |          | SHEET 1 OF 2              |              |