

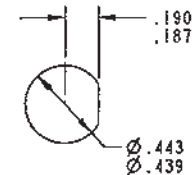
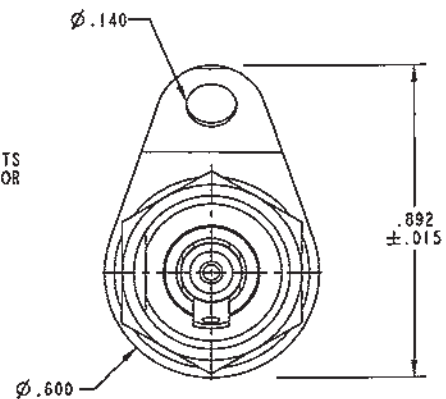
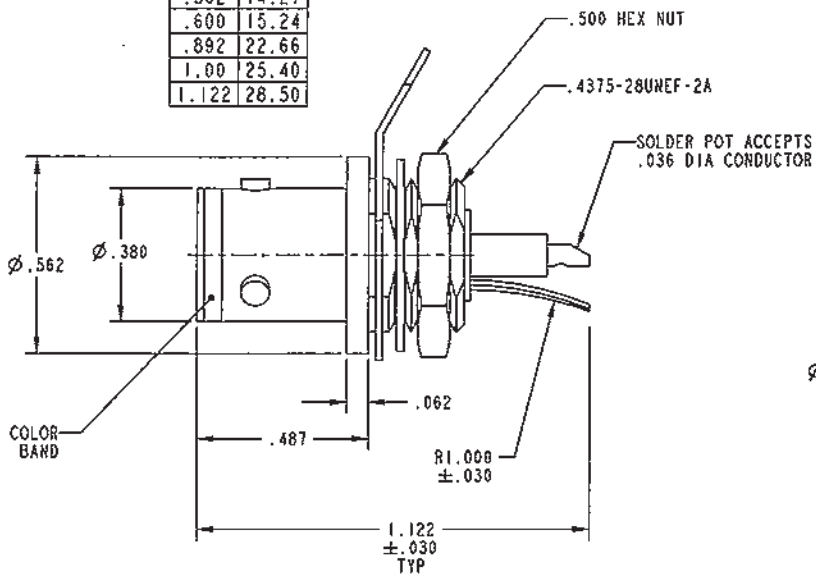
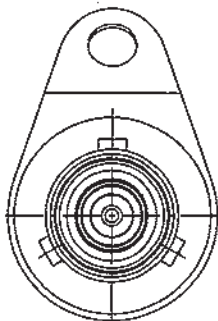
RED INDICATES ORIGINAL

| KEYING LETTER | A° | B° | C° | COLOR BAND |
|---------------|------|------|------|------------|
| NONE | 120° | 120° | 120° | NONE |
| S | 135° | 135° | 90° | WHITE |
| T | 100° | 150° | 110° | RED |
| U | 120° | 130° | 110° | ORANGE |
| V | 115° | 130° | 115° | YELLOW |
| W | 125° | 110° | 125° | GREEN |
| X | 130° | 100° | 130° | BLUE |
| Y | 110° | 140° | 110° | VIOLET |
| Z | 100° | 160° | 100° | GRAY |

| INCH | MM |
|-------|-------|
| .005 | 0.13 |
| .015 | 0.38 |
| .030 | 0.76 |
| .036 | 0.91 |
| .062 | 1.57 |
| .125 | 3.18 |
| .140 | 3.56 |
| .187 | 4.75 |
| .190 | 4.83 |
| .380 | 9.65 |
| .439 | 11.15 |
| .443 | 11.25 |
| .487 | 12.37 |
| .500 | 12.70 |
| .562 | 14.27 |
| .600 | 15.24 |
| .892 | 22.66 |
| 1.00 | 25.40 |
| 1.122 | 28.50 |

DATA CONTAINED IN THIS DOCUMENT IS PROPRIETARY TO TROMPETER ELECTRONICS INC. AND SHALL NOT BE DISCLOSED, COPIED OR USED FOR PROCUREMENT OR MANUFACTURE WITHOUT EXPRESS WRITTEN PERMISSION.

| REVISIONS | | | 3-0001 | | SH 1 |
|-----------|---------|---|--------|-----------|-----------------|
| REV | ECO NO. | DESCRIPTION | DWN | APPROVED | DATE |
| W | 11328 | SH 2 *D* FLAT PIN DEPTH WAS .200; B/M P/N 8-2149-3; WAS 8-2149-2; SEE ECO | SAC | <i>Bm</i> | <i>12/21/95</i> |



RECOMMENDED
PANEL CUTOUT
SCALE 2.000

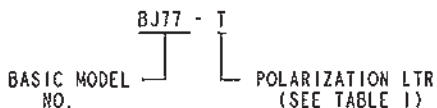
4. MAX PANEL THK .125

3. SOCKET CONTACT CONCENTRIC TWINAX/
TRIAx TRB SOLDER POT BULKHEAD
MOUNT RECEPTACLE

2. FINISH: TFS-1A(NICKEL)

1. ALL DIM ARE IN INCHES

5. EXAMPLE OF COMPLETE MODEL NO:



| QTY | DESCRIPTION | PART NUMBER | ITEM |
|-----------------------------------|-------------------------------------|--------------------------|--------------------|
| TOL UNLESS SPECIFIED | TROMPETER RF connectivity | BJ77/S/T/U/V/ W/X/Y/Z | |
| .32 ± | | | |
| .33 ± .005 | | | |
| .34 ± | | | |
| .35 ± | | | |
| DWG SAC 12-6-95 | MATERIAL | CODE IDENT 14949 | DRAWING NO. 3-0001 |
| CHK <i>Bm</i> 12-20-95 | | | REV W |
| SEE SH 3 ENGR | DATE 11-12-98 | SHEET 1C | |
| NEXT ASSY APPR <i>FB</i> 12/21/95 | SCALE 4/1 | | |