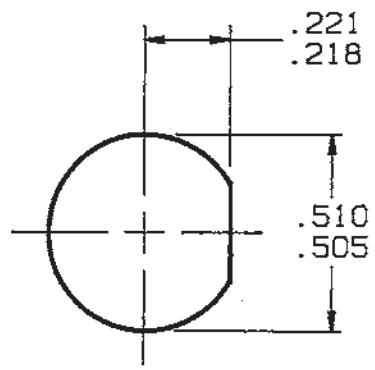
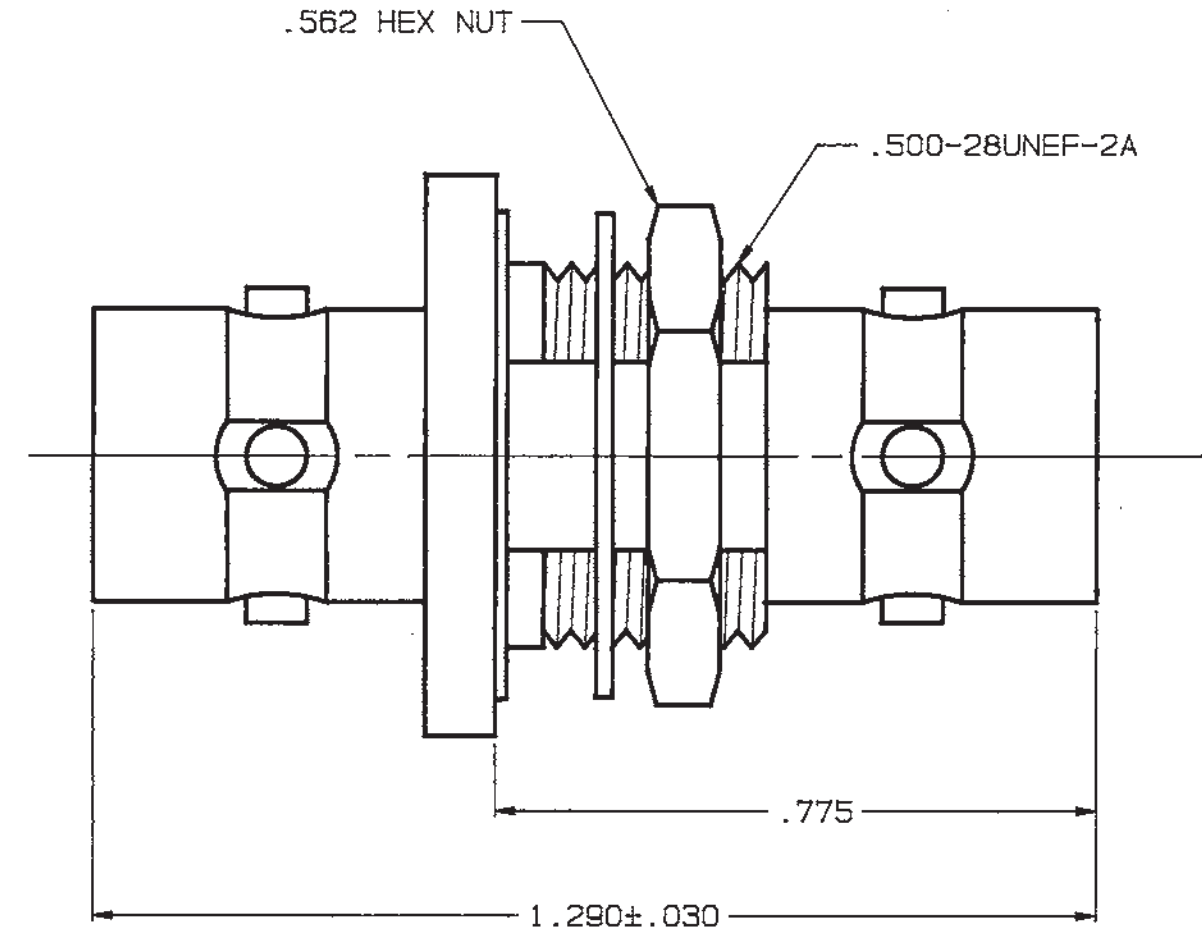
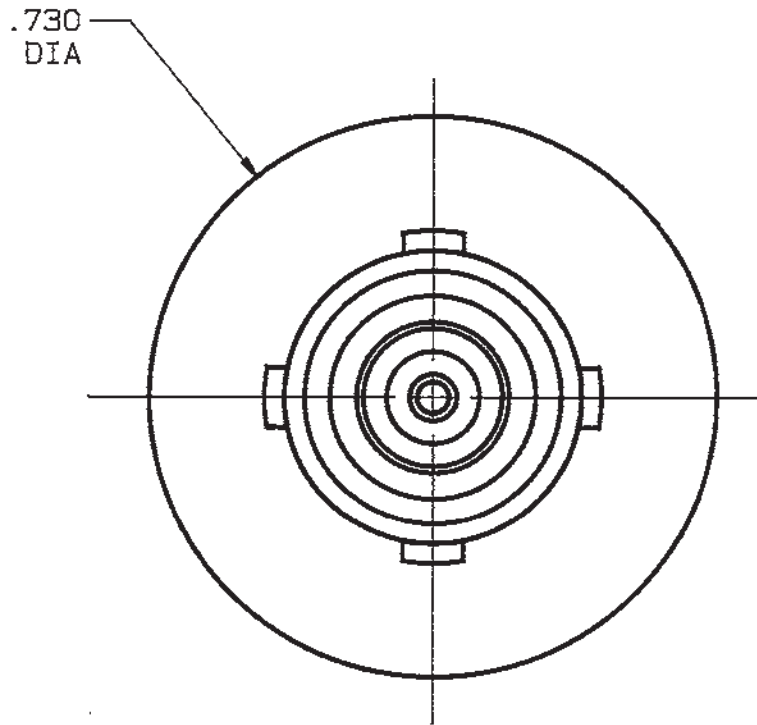


DISK #	DWG SIZE	DATA CONTAINED IN THIS DOCUMENT IS PROPRIETARY TO TROMPETER ELECTRONICS INC. AND SHALL NOT BE DISCLOSED, COPIED OR USED FOR PROCUREMENT OR MANUFACTURE WITHOUT EXPRESS WRITTEN PERMISSION.
H 4	B	

REVISIONS			3-0236	SH 1	
REV	EO	DESCRIPTION	DWN	APPROVED	DATE
C	9011	DIM .775 RELOCATED ARROW DIMENSION LINE & REDRAWN	J S	<i>E.E., K9</i>	9-18-90



RECOMMENDED
PANEL CUTOUT
SCALE: 2/1



INCH	MM
.005	0.13
.030	0.76
.187	4.75
.218	5.54
.221	5.61
.505	12.83
.510	12.95
.562	14.27
.730	18.54
.775	19.69
1.290	32.77

4. CONCENTRIC TWINAX/TRIAX 4-LUG TRB BULKHEAD MOUNT FEEDTHRU RECEPTACLE
3. MAX PANEL THK .187
2. FINISH: TFS-1A (NICKEL)
1. ALL DIM ARE IN INCHES

QTY	DESCRIPTION		PART NUMBER	ITEM		
TOL UNLESS SPECIFIED			BJ78FL			
.XX ±	.005					
.XXX ±						
.XXXX ±						
ANGLES ±						
DWN	J S	9/18/90	MATERIAL	CODE IDENT	DRAWING NO.	REV
CHK	<i>E.E.</i>	9-18-90	—	14949	3-0236	C
ENGR	K9	9-18-90	SCALE 4/1	DATE 7-19-85	SHEET 1 OF 2	
NEXT ASSY	APPR	<i>OK</i>	9-19-90			